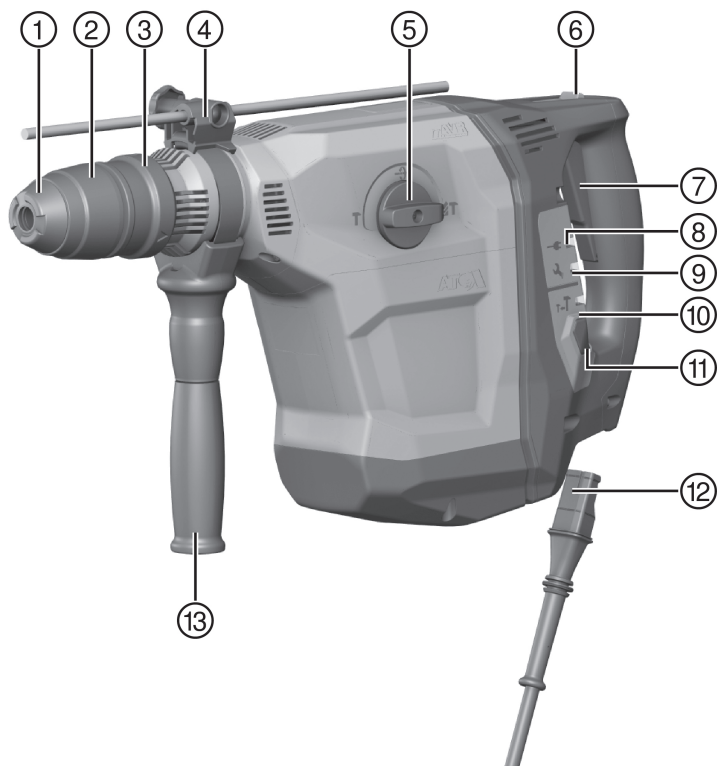
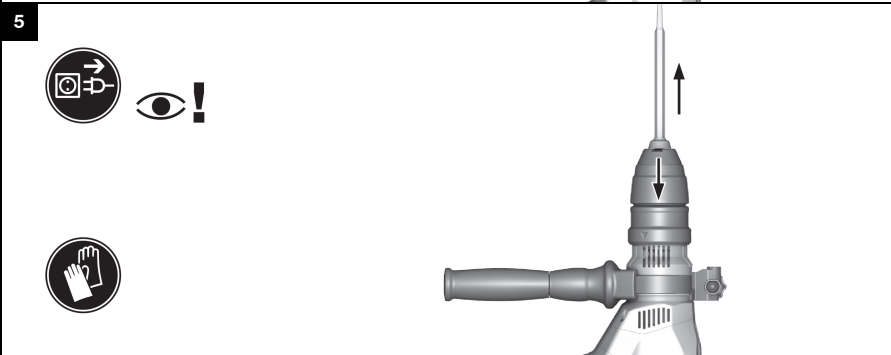
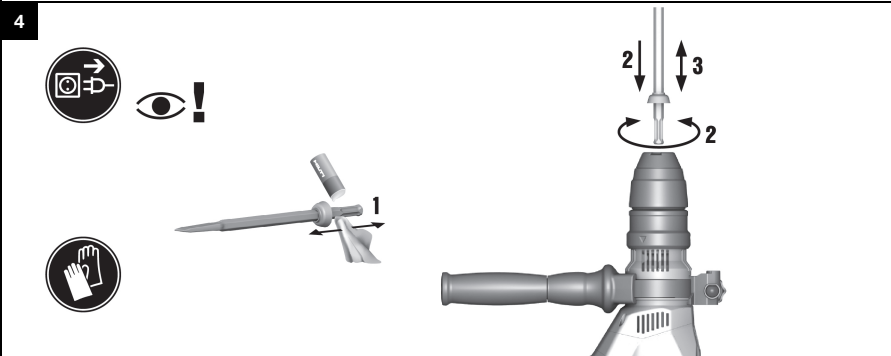
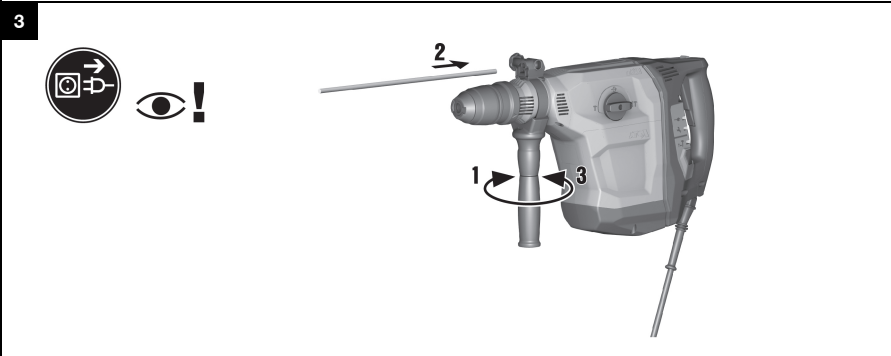
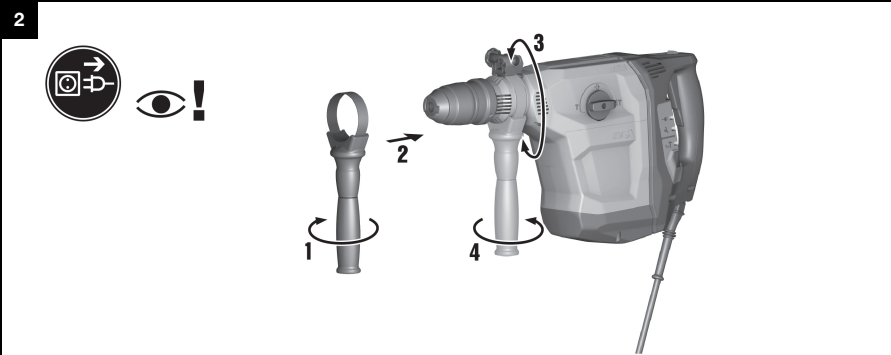




TE 70-ATC/AVR

English	1
Dansk	11
Svenska	21
Norsk	32
Suomi	42
Eesti	52
Latviešu	63
Lietuvių	73
Русский	84
Українська	96
Қазақ	108
Türkçe	119
عربي	130
日本語	142
한국어	152
繁體中文	162
中文	171

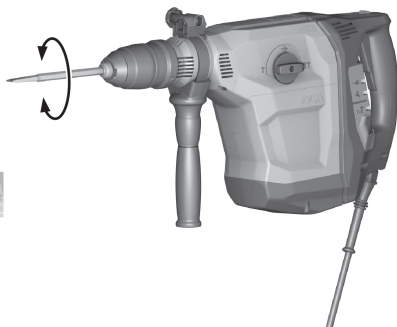




6



7



8



TE 70-ATC/AVR

en	Original operating instructions	1
da	Original brugsanvisning	11
sv	Originalbruksanvisning	21
no	Original bruksanvisning	32
fi	Alkuperäiset ohjeet	42
et	Originaalkasutusjuhend	52
lv	Originālā lietošanas instrukcija	63
lt	Originali naudojimo instrukcija	73
ru	Перевод оригинального руководства по эксплуатации	84
uk	Оригінальна інструкція з експлуатації	96
kk	Түпнұсқа пайдалану бойынша нұсқаулық	108
tr	Orijinal kullanım kılavuzu	119
ar	دليل الاستعمال الأصلي	130
ja	オリジナル取扱説明書	142
ko	오리지널 사용 설명서	152
zh	原始操作說明	162
cn	原版操作说明	171

Original operating instructions

1 Information about the documentation

1.1 About this documentation

- Read this documentation before initial operation or use. This is a prerequisite for safe, trouble-free handling and use of the product.
- Observe the safety instructions and warnings in this documentation and on the product.
- Always keep the operating instructions with the product and make sure that the operating instructions are with the product when it is given to other persons.

1.2 Explanation of symbols

1.2.1 Warnings

Warnings alert persons to hazards that occur when handling or using the product. The following signal words are used:



DANGER !

- ▶ Draws attention to imminent danger that will lead to serious personal injury or fatality.



WARNING !

- ▶ Draws attention to a potential threat of danger that can lead to serious injury or fatality.



CAUTION !

- ▶ Draws attention to a potentially dangerous situation that could lead to personal injury or damage to the equipment or other property.

1.2.2 Symbols in the documentation

The following symbols are used in this document:

	Read the operating instructions before use
	Instructions for use and other useful information
	Dealing with recyclable materials
	Do not dispose of electric equipment and batteries as household waste

1.2.3 Symbols in the illustrations

The following symbols are used in illustrations:

	These numbers refer to the corresponding illustrations found at the beginning of these operating instructions
	The numbering reflects the sequence of operations shown in the illustrations and may deviate from the steps described in the text
	Item reference numbers are used in the overview illustrations and refer to the numbers used in the product overview section
	This symbol is intended to draw special attention to certain points when handling the product.
	Wear protective gloves while working with the tool.



1.3 Product-dependent symbols

1.3.1 Symbols on the product

The following symbols can be used on the product:

V	Volts
A	Amps
Hz	Hertz
/min	Revolutions per minute
RPM	Revolutions per minute
∅	Diameter
	Alternating current
	Protection class II (double-insulated)
	The product supports wireless data transmission compatible with iOS and Android platforms.

1.4 Product information

products are designed for professional users and only trained, authorized personnel are permitted to operate, service and maintain the products. This personnel must be specifically informed about the possible hazards. The product and its ancillary equipment can present hazards if used incorrectly by untrained personnel or if used not in accordance with the intended use.

The type designation and serial number are printed on the rating plate.

- ▶ Write down the serial number in the table below. You will be required to state the product details when contacting Hilti Service or your local Hilti organization to inquire about the product.

Product information

Combihammer	TE 70-ATC/AVR
Generation	04
Serial no.	

1.5 Declaration of conformity

We declare, on our sole responsibility, that the product described here complies with the applicable directives and standards. A copy of the declaration of conformity can be found at the end of this documentation.

The technical documentation is filed here:

Hilti Entwicklungsgesellschaft mbH | Tool Certification | Hiltistrasse 6 | 86916 Kaufering, Germany

2 Safety

2.1 General power tool safety warnings

⚠ WARNING Read all safety warnings, instructions, illustrations and specifications provided with this power tool. Failure to follow all instructions listed below may result in electric shock, fire and/or serious injury. **Save all warnings and instructions for future reference.**

The term "power tool" in the warnings refers to your mains-operated (corded) power tool or battery-operated (cordless) power tool.

Work area safety

- ▶ **Keep work area clean and well lit.** Cluttered or dark areas invite accidents.
- ▶ **Do not operate power tools in explosive atmospheres, such as in the presence of flammable liquids, gases or dust.** Power tools create sparks which may ignite the dust or fumes.



- ▶ **Keep children and bystanders away while operating a power tool.** Distractions can cause you to lose control.

Electrical safety

- ▶ **Power tool plugs must match the outlet. Never modify the plug in any way. Do not use any adapter plugs with earthed (grounded) power tools.** Unmodified plugs and matching outlets will reduce risk of electric shock.
- ▶ **Avoid body contact with earthed or grounded surfaces, such as pipes, radiators, ranges and refrigerators.** There is an increased risk of electric shock if your body is earthed or grounded.
- ▶ **Do not expose power tools to rain or wet conditions.** Water entering a power tool will increase the risk of electric shock.
- ▶ **Do not abuse the cord. Never use the cord for carrying, pulling or unplugging the power tool. Keep cord away from heat, oil, sharp edges or moving parts.** Damaged or entangled cords increase the risk of electric shock.
- ▶ **When operating a power tool outdoors, use an extension cord suitable for outdoor use.** Use of a cord suitable for outdoor use reduces the risk of electric shock.
- ▶ **If operating a power tool in a damp location is unavoidable, use a residual current device (RCD) protected supply.** Use of an RCD reduces the risk of electric shock.

Personal safety

- ▶ **Stay alert, watch what you are doing and use common sense when operating a power tool. Do not use a power tool while you are tired or under the influence of drugs, alcohol or medication.** A moment of inattention while operating power tools may result in serious personal injury.
- ▶ **Use personal protective equipment. Always wear eye protection.** Protective equipment such as a dust mask, non-skid safety shoes, hard hat or hearing protection used for appropriate conditions will reduce personal injuries.
- ▶ **Prevent unintentional starting. Ensure the switch is in the off-position before connecting to power source and/or battery pack, picking up or carrying the tool.** Carrying power tools with your finger on the switch or energising power tools that have the switch on invites accidents.
- ▶ **Remove any adjusting key or wrench before turning the power tool on.** A wrench or a key left attached to a rotating part of the power tool may result in personal injury.
- ▶ **Do not overreach. Keep proper footing and balance at all times.** This enables better control of the power tool in unexpected situations.
- ▶ **Dress properly. Do not wear loose clothing or jewellery. Keep your hair and clothing away from moving parts.** Loose clothes, jewellery or long hair can be caught in moving parts.
- ▶ **If devices are provided for the connection of dust extraction and collection facilities, ensure these are connected and properly used.** Use of dust collection can reduce dust-related hazards.
- ▶ **Do not let familiarity gained from frequent use of tools allow you to become complacent and ignore tool safety principles.** A careless action can cause severe injury within a fraction of a second.

Power tool use and care

- ▶ **Do not force the power tool. Use the correct power tool for your application.** The correct power tool will do the job better and safer at the rate for which it was designed.
- ▶ **Do not use the power tool if the switch does not turn it on and off.** Any power tool that cannot be controlled with the switch is dangerous and must be repaired.
- ▶ **Disconnect the plug from the power source and/or remove the battery pack, if detachable, from the power tool before making any adjustments, changing accessories, or storing power tools.** Such preventive safety measures reduce the risk of starting the power tool accidentally.
- ▶ **Store idle power tools out of the reach of children and do not allow persons unfamiliar with the power tool or these instructions to operate the power tool.** Power tools are dangerous in the hands of untrained users.
- ▶ **Maintain power tools and accessories. Check for misalignment or binding of moving parts, breakage of parts and any other condition that may affect the power tool's operation. If damaged, have the power tool repaired before use.** Many accidents are caused by poorly maintained power tools.
- ▶ **Keep cutting tools sharp and clean.** Properly maintained cutting tools with sharp cutting edges are less likely to bind and are easier to control.
- ▶ **Use the power tool, accessories and tool bits etc. in accordance with these instructions, taking into account the working conditions and the work to be performed.** Use of the power tool for operations different from those intended could result in a hazardous situation.
- ▶ **Keep handles and grasping surfaces dry, clean and free from oil and grease.** Slippery handles and grasping surfaces do not allow for safe handling and control of the tool in unexpected situations.



Service

- ▶ **Have your power tool serviced by a qualified repair person using only identical replacement parts.** This will ensure that the safety of the power tool is maintained.

2.2 Hammer safety warnings**Safety instructions for all operations**

- ▶ **Wear ear protectors.** Exposure to noise can cause hearing loss.
- ▶ **Use auxiliary handle(s), if supplied with the tool.** Loss of control can cause personal injury.
- ▶ **Brace the tool properly before use.** This tool produces a high output torque and without properly bracing the tool during operation, loss of control may occur resulting in personal injury.
- ▶ **Hold the power tool by insulated gripping surfaces, when performing an operation where the cutting accessory may contact hidden wiring or its own cord.** Cutting accessory contacting a "live" wire may make exposed metal parts of the power tool "live" and could give the operator an electric shock.

Safety instructions when using long drill bits with rotary hammers

- ▶ **Always start drilling at low speed and with the bit tip in contact with the workpiece.** At higher speeds, the bit is likely to bend if allowed to rotate freely without contacting the workpiece, resulting in personal injury.
- ▶ **Apply pressure only in direct line with the bit and do not apply excessive pressure.** Bits can bend causing breakage or loss of control, resulting in personal injury.

2.3 Additional safety instructions for rotary hammer**Personal safety**

- ▶ Use the product only when it is in technically faultless condition.
- ▶ Never tamper with or modify the power tool in any way.
- ▶ Use the auxiliary grips supplied with the tool. Loss of control can cause personal injury.
- ▶ Apply appropriate safety measures at the opposite side of the workpiece in work that involves breaking through. Parts breaking away could fall out and / or fall down causing injury to other persons.
- ▶ Always hold the power tool with both hands on the grips provided. Keep the grips clean and dry.
- ▶ Hold the power tool by the insulated gripping surfaces when performing work in which the accessory tool might come into contact with concealed wiring. If the accessory tool comes into contact with a live wire, metal parts of the power tool can also become live, resulting in an electric shock.
- ▶ Avoid touching rotating parts – risk of injury!
- ▶ Wear suitable protective glasses, a hard hat, ear defenders, protective gloves and light respiratory protection while using the power tool.
- ▶ Wear protective gloves also when changing the accessory tool. Touching the accessory tool presents a risk of injury (cuts or burns).
- ▶ Wear eye protection. Flying fragments present a risk of injury to the body and eyes.
- ▶ Before starting work, check the hazard class of the dust that will be produced when working. Use an industrial vacuum cleaner with an officially approved protection class in compliance with the locally applicable dust protection regulations. Dust from materials such as lead-based paint, certain types of wood and concrete/masonry/stone containing quartz, minerals or metal can be harmful to health.
- ▶ Make sure that the workplace is well ventilated and, where necessary, wear a respirator appropriate for the type of dust generated. Contact with or inhalation of the dust can cause allergic reactions and/or respiratory or other diseases to the operator or bystanders. Certain kinds of dust such as oakwood and beechwood dust are classified as carcinogenic, especially in conjunction with additives for wood conditioning (chromate, wood preservative). Only specialists are permitted to handle material containing asbestos.
- ▶ Take breaks and do physical exercises to improve the blood circulation in your fingers. Exposure to vibration during long periods of work can lead to disorders of the blood vessels and nervous system in the fingers, hands and wrists.

Electrical safety

- ▶ Before beginning work, check the working area for concealed electric cables, gas pipes and water pipes. External metal parts of the power tool can become live, presenting a risk of electric shock, if you accidentally damage an electric cable.

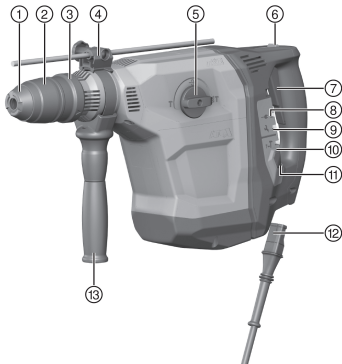
Power tool use and care

- ▶ Immediately switch off the power tool if the accessory tool jams. The power tool might twist off-line.
- ▶ Wait until the power tool stops completely before you lay it down.



3 Description

3.1 Product overview



- ① Dust cap
- ② Chuck
- ③ Accessory tool release
- ④ Depth gauge (accessory)
- ⑤ Function selector switch
- ⑥ Chisel locking device
- ⑦ Control switch
- ⑧ Function signal
- ⑨ Service indicator
- ⑩ Half-power indicator
- ⑪ Switch for half power
- ⑫ Supply cord with keyed, releasable plug connector
- ⑬ Side handle

3.2 Intended use

The product described is an electrically powered combihammer with pneumatic hammering mechanism. It is designed for drilling in concrete, masonry, wood and metal. The product can also be used for light- to medium-duty chiseling on masonry and surface finishing work on concrete.

- ▶ The tool may be operated only when connected to a power source providing a voltage and frequency in compliance with the information given on the type identification plate.

3.3 Undercut anchors

The product is suitable for setting undercut anchors. Use only suitable setting tools. Detailed information on this topic can be obtained at your local **Hilti** Center.

3.4 Possible misuse

- This product is not suitable for working on hazardous materials.
- This product is not suitable for working in a damp environment.

3.5 Active Vibration Reduction

The tool is equipped with an Active Vibration Reduction (AVR) system which reduces vibration noticeably.

3.6 ATC

The product is equipped with the ATC (Active Torque Control) quick-acting electronic cut-out. If the accessory tool sticks or stalls, the product will suddenly pivot about its own axis in the opposite direction. ATC detects this sudden pivoting movement of the product and switches the product off immediately.





For ATC to function correctly, the product must be free to pivot.
After an ATC cut-out, switch the product off and then on again.

3.7 Service indicator

The product is equipped with a service indicator LED.

3.7.1 Service indicator status

Status	Meaning
Service indicator shows.	End of service interval – servicing is due.
Service indicator flashes.	Have the combihammer repaired by Hilti Service .

3.8 Items supplied

Combihammer, side handle, operating instructions.

Other system products approved for use with this product can be found at your local **Hilti Store** or at: www.hilti.group

4 Technical data

4.1 Combihammer



For details of the rated voltage, current, frequency and input power, please refer to the power tool's country-specific type identification plate.

If the tool is powered by a generator or transformer, the generator or transformer's power output must be at least twice the rated input power shown on the rating plate of the tool. The operating voltage of the transformer or generator must always be within +5% and -15% of the rated voltage of the tool.

Weight in accordance with EPTA procedure 01	10 kg
---	-------

4.2 Noise information and vibration values in accordance with EN 60745

The sound pressure and vibration values given in these instructions were measured in accordance with a standardized test and can be used to compare one power tool with another. They can also be used for a preliminary assessment of exposure. The data given represents the main applications of the power tool. However, if the power tool is used for different applications, with different accessory tools, or is poorly maintained, the data can vary. This can significantly increase exposure over the total working period. An accurate estimation of exposure should also take into account the times when the tool is switched off, or when it is running but not actually being used for a job. This can significantly reduce exposure over the total working period. Identify additional safety measures to protect the operator from the effects of noise and/or vibration, for example: Maintaining the power tool and accessory tools, keeping the hands warm, organization of work patterns.

Noise emission values

Sound power level (L_{WA})	111 dB(A)
Uncertainty for the sound power level (K_{WA})	3 dB(A)
Emission sound pressure level (L_{pA})	100 dB(A)
Uncertainty for the sound pressure level (K_{pA})	3 dB(A)

Total vibration

Vibration emission value for hammer drilling in concrete ($a_{n,Hb}$)	8.3 m/s ²
Vibration emission value for chiseling ($a_{n,Chc}$)	8 m/s ²
Uncertainty (K)	1.5 m/s ²



5 Operation

5.1 Preparations at the workplace

CAUTION

Risk of injury! Inadvertent starting of the product.

- ▶ Unplug the supply cord before making adjustments to the power tool or before changing accessories.

Observe the safety instructions and warnings in this documentation and on the product.

5.1.1 Connecting the detachable supply cord

CAUTION

Risk of injury! Due to leakage current as a result of dirty contacts.

- ▶ Connect the detachable electric connector to the electric tool only when it is clean and dry and when the supply cord is unplugged from the power outlet.

1. Push the keyed, detachable electric plug connector into the tool as far as it will go, until it is heard to engage.
2. Plug the supply cord into the power outlet.

5.1.2 Disconnecting the detachable supply cord

1. Unplug the supply cord from the power outlet.
2. Press the release button and pull the keyed, detachable electric plug connector out of the socket.
3. Pull the supply cord connector out of the power tool.

5.1.3 Fitting the side handle

CAUTION

Risk of injury! Loss of control over the combihammer.

- ▶ Check that the side handle is fitted correctly and tightened securely. Check that the clamping band is engaged in the groove provided on the tool.

1. Release the side handle clamping band by turning the handle grip.
2. Slide the side handle clamping band over the chuck from the front and into the recess provided.
3. Set the side handle to the desired position.
4. Tighten the side handle clamping band by turning the handle grip.

5.1.4 Fitting the depth gauge (optional)

1. Release the side handle clamping band by turning the handle grip.
2. Slide the depth gauge from the front into the 2 guide holes provided.
3. Tighten the side handle clamping band by turning the handle grip.

5.1.5 Control switch lock



When chiseling, the control switch can be locked in the “on” position.

- ▶ Press the control switch lock.

5.1.6 Inserting the tool



The use of unsuitable grease can cause damage to the product. **Use only genuine Hilti grease.**

1. Lightly grease the connection end of the accessory tool.
 - ▶ Use only genuine **Hilti** grease. Using the wrong grease can result in damage to the product.
2. Push the accessory tool into the chuck as far as it will go (until it engages).
3. After fitting the accessory tool, grip it and pull it in order to check that it is securely engaged.
 - ▶ The product is ready for use.



5.1.7 Removing the accessory tool

- ▶ Pull the chuck back as far as it will go and remove the accessory tool.



Use only genuine **Hilti** grease. The use of unsuitable grease can cause damage to the product.

5.1.8 Setting the power level



Power can be set only when the tool is switched on and ready for use.

To set the tool to half power, press the "half power" button. The power indicator lights up to indicate reduced power. Press the "half power" button again to switch to full power. The power indicator goes out.

Switching the product off and then on again resets it to full power.

- ▶ Set the power level.

5.2 Types of work



WARNING

Risk of electric shock! Severe injury and burns can result if any attempt is made to operate the tool without an earth/ground conductor and ground fault circuit interrupter correctly connected.

- ▶ Irrespective of whether mains power or generator power is used, always make sure that an earth/ground conductor and ground fault circuit interrupter are present in the power supply and that these are correctly connected.
- ▶ Do not use the product unless these safety measures are in place and fully operational.



WARNING

A damaged supply cord presents a hazard! If the supply cord or extension cord is damaged while work is in progress, immediately disconnect the device and the cord from the electricity supply. Do not touch the damaged part of the cord.

- ▶ Regularly check all supply cords. Replace defective extension cords.

Full approval must be obtained from the site engineer or architect prior to beginning the work.

5.2.1 Drilling without hammering



Drilling without hammering is possible when drill bits with a special connection end are used. Tools of this kind are available from the **Hilti** tools range.

For example, when the keyless quick-release chuck is fitted, smooth-shank drill bits for wood or steel can be used to drill without hammering.

- ▶ Set the function selector switch to the  position.

5.2.2 Drilling with hammering action (hammer drilling)

- ▶ Set the function selector switch to the  position.

5.2.3 Chisel positioning



CAUTION

Risk of injury! Loss of control over the chisel direction.

- ▶ Do not operate the tool when the selector switch is set to "Chisel positioning". Turn the function selector switch until it engages in the "Chiseling" position.



The chisel can be set to 24 different positions (in 15° increments). This ensures that flat chisels and shaped chisels can always be set to the optimum working position.

- ▶ Set the function selector switch to the  position.



5.2.4 Chiseling

- ▶ Set the function selector switch to the **T** position.

6 Care and maintenance

WARNING

Electric shock hazard! Attempting care and maintenance with the supply cord connected to a power outlet can lead to severe injury and burns.

- ▶ Always unplug the supply cord before carrying out care and maintenance tasks.

Care

- Carefully remove any dirt that may be adhering to parts.
- Clean the air vents carefully with a dry brush.
- Use only a slightly damp cloth to clean the casing. Do not use cleaning agents containing silicone as these may attack the plastic parts.

Maintenance

WARNING

Danger of electric shock! Improper repairs to electrical components may lead to serious injuries including burns.

- ▶ Repairs to the electrical section of the tool or appliance may be carried out only by trained electrical specialists.
- Check all visible parts and controls for signs of damage at regular intervals and make sure that they all function correctly.
- Do not operate the product if signs of damage are found or if parts malfunction. Have it repaired immediately by **Hilti Service**.
- After cleaning and maintenance, fit all guards or protective devices and check that they function correctly.



To help ensure safe and reliable operation, use only genuine Hilti spare parts and consumables. Spare parts, consumables and accessories approved by Hilti for use with the product can be found at your local **Hilti Store** or online at: www.hilti.group.

6.1 Cleaning the dust shield

- ▶ Clean the dust shield on the chuck with a dry, clean cloth at regular intervals.
- ▶ Clean the sealing lip by wiping it carefully and then grease it again lightly with **Hilti grease**.
- ▶ It is essential that the dust shield is replaced if the sealing lip is damaged.

7 Transport and storage

- Do not transport electric tools with accessory tools fitted.
- Always unplug the supply cord before storing an electric tool or appliance.
- Store tools and appliances in a dry place where they cannot be accessed by children or unauthorized persons.
- Check electric tools or appliances for damage after long periods of transport or storage.

8 Troubleshooting

If the trouble you are experiencing is not listed in this table or you are unable to remedy the problem by yourself, please contact **Hilti Service**.

8.1 Troubleshooting

Trouble or fault	Possible cause	Action to be taken
Product does not start.	Interruption in the electric supply.	▶ Plug in another electric tool or appliance and check whether it works.



Trouble or fault	Possible cause	Action to be taken
Product does not start.	The generator is in sleep mode.	► Apply a load to the generator by connecting a second power consumer (e.g. worklight). After this, switch the product off and then on again.
	The electronic restart interlock is activated after an interruption in the electric supply.	► Switch the product off and then on again.
	The detachable supply cord is not fitted correctly.	► Fit the detachable supply cord to the power tool correctly.
	The carbon brushes are worn.	► Have checked, and if necessary replaced, by a trained electrical specialist.
No hammering action.	Product too cold.	► Bring the product into contact with the working surface, switch it on and allow it to idle. If necessary, repeat the procedure until the hammering mechanism begins to operate.
Product does not achieve full power.	The extension cord is too long or the conductor cross-section is inadequate.	► Use an extension cord of an approved length and / or of adequate conductor cross-section.
	The control switch is not fully pressed.	► Press the control switch as far as it will go.
	The voltage provided by the electric supply is too low.	► Connect the product to a different power source.
	The half-power button is engaged.	► Press the "half-power" button.
Drill bit does not rotate.	The function selector switch is not engaged or is in the "Chiseling" position T or the "Chisel positioning" position \rightarrow .	► With the motor at a standstill, set the function selector switch to the "Hammer drilling" IT position.
Drill bit is not released.	The chuck is not pulled back fully.	► Pull the chuck back as far as it will go and remove the accessory tool.
	Side handle not fitted correctly.	► Disengage the side handle and refit it correctly so that the clamping band and side handle engage in the recess.
Product switches off if drill bit jams.	The electronic safety shut-down has tripped to avoid further jamming.	► Release the drill bit.
Service indicator flashes.	The product is faulty.	► Have the product repaired by Hilti Service .
Service indicator shows.	The carbon brushes are worn.	► Have checked, and if necessary replaced, by a trained electrical specialist.

9 Disposal

Most of the materials from which **Hilti** tools and appliances are manufactured can be recycled. The materials must be correctly separated before they can be recycled. In many countries, your old tools, machines or appliances can be returned to **Hilti** for recycling. Ask **Hilti Service** or your Hilti representative for further information.



- Do not dispose of power tools, electronic equipment or batteries as household waste!



10 RoHS (Restriction of Hazardous Substances)

Click on the link to go to the table of hazardous substances: qr.hilti.com/r6851673.
There is a link to the RoHS table, in the form of a QR code, at the end of this document.

11 Manufacturer's warranty

- ▶ Please contact your local **Hilti** representative if you have questions about the warranty conditions.

Original brugsanvisning

1 Oplysninger vedrørende dokumentationen

1.1 Vedrørende denne dokumentation

- Læs denne dokumentation igennem før ibrugtagning. Det er en forudsætning for sikkert arbejde og korrekt håndtering.
- Følg sikkerheds- og advarselshenvisningerne i denne dokumentation og på produktet.
- Opbevar altid brugsanvisningen sammen med produktet, og overdrag det kun til andre personer sammen med denne anvisning.

1.2 Tegnforklaring

1.2.1 Advarsler

Advarsler advarer mod farer ved håndtering af produktet. Følgende signalord anvendes:

FARE

FARE !

- ▶ Betegner en umiddelbart truende fare, der kan medføre alvorlige kvæstelser eller døden.

ADVARSEL

ADVARSEL !

- ▶ Står ved en potentielt truende fare, der kan medføre alvorlige kvæstelser eller døden.

FORSIGTIG

FORSIGTIG !

- ▶ Advarer om en potentielt farlig situation, der kan forårsage personskader eller materielle skader.

1.2.2 Symboler i denne dokumentation

Følgende symboler anvendes i denne dokumentation:

	Læs brugsanvisningen før brug
	Anvisninger for anvendelse og andre nyttige oplysninger
	Håndtering af genvindbare materialer
	Elektriske maskiner og batterier må ikke bortskaffes som almindeligt husholdningsaffald

1.2.3 Symboler i illustrationer

Følgende symboler anvendes på illustrationer:

2	Disse tal henviser til de forskellige illustrationer i begyndelsen af brugsanvisningen
3	Nummereringen udtrykker arbejdsstrinnes rækkefølge på illustrationen og kan afvige fra arbejdsstrinene i teksten



	Positionsnumre anvendes i illustrationen Oversigt og refererer til tallene i symbolforklaringen i afsnittet Produktoversigt
	Dette symbol skal sikre skærpet opmærksomhed ved omgang med produktet.
	Brug beskyttelseshandsker under arbejdet med maskinen.

1.3 Produktspecifikke symboler

1.3.1 Symboler på produktet

Følgende symboler kan forekomme på produktet:

V	volt
A	Ampere
Hz	hertz
/min	Omdrejninger pr. minut
RPM	Omdrejninger pr. minut
∅	Diameter
	Vekselstrøm
	Kapslingsklasse II (dobbeltisoleret)
	Produktet understøtter trådløs dataoverførsel, som er kompatibel med iOS- og Android-platforme.

1.4 Produktoplysninger

HILTI-produkter er beregnet til professionel brug og må kun betjenes, efterses og vedligeholdes af autoriseret og instrueret personale. Dette personale skal i særdeleshed informeres om de potentielle farer, der er forbundet med anvendelsen af denne maskine. Der kan opstå farlige situationer ved anvendelse af produktet og det tilhørende udstyr, hvis det anvendes af personer, der ikke er blevet undervist i dens brug, eller hvis det ikke anvendes korrekt i henhold til forskrifterne i denne brugsanvisning.

Typebetegnelse og serienummer fremgår af typeskiltet.

- ▶ Notér serienummeret i den efterfølgende tabel. Du skal bruge produktoplysningerne ved henvendelser til vores lokale afdeling eller vores serviceværksted.

Produktoplysninger

Kombihammer	TE 70-ATC/AVR
Generation	04
Serienummer	

1.5 Overensstemmelseserklæring

Vi erklærer som eneansvarlige, at det beskrevne produkt er i overensstemmelse med gældende direktiver og standarder. Sidst i dette dokument finder du et billede af overensstemmelseserklæringen.

Den tekniske dokumentation er arkiveret her:

Hilti Entwicklungsgesellschaft mbH | Zulassung Geräte | Hiltistraße 6 | 86916 Kaufering, DE



2 Sikkerhed

2.1 Generelle sikkerhedsanvisninger for elværktøj

⚠ ADVARSEL Læs alle sikkerhedsanvisninger, henvisninger, billedtekster og tekniske data på elværktøjet. Hvis følgende anvisninger ikke overholdes, er der risiko for elektrisk stød, brand og/eller alvorlige personskader.

Opbevar alle sikkerhedsanvisninger og instruktioner til senere brug.

Det benyttede begreb "elværktøj" i sikkerhedsanvisningerne refererer til elektriske maskiner (med netledning) eller batteridrevne maskiner (uden netledning).

Arbejdspladssikkerhed

- ▶ **Sørg for at holde arbejdsområdet ryddeligt og godt oplyst.** Uorden eller uoplyste arbejdsområder øger faren for uheld.
- ▶ **Brug ikke elværktøj i eksplosionstruede omgivelser, hvor der er brændbare væsker, gasser eller støv.** Elværktøj kan slå gnister, der kan antænde støv eller dampe.
- ▶ **Sørg for, at andre personer og ikke mindst børn holdes væk fra arbejdsområdet, når elværktøjet er i brug.** Hvis man distraheres, kan man miste kontrollen over maskinen.

Elektrisk sikkerhed

- ▶ **Elværktøjets stik skal passe til kontakten. Stikket må under ingen omstændigheder ændres. Brug ikke adapterstik sammen med jordforbundne elværktøj.** Uændrede stik, der passer til kontakterne, nedsætter risikoen for elektrisk stød.
- ▶ **Undgå kropskontakt med jordforbundne overflader som f.eks. rør, radiatorer, komfurer og køleskabe.** Hvis din krop er jordforbundet, øges risikoen for elektrisk stød.
- ▶ **Elværktøj må ikke udsættes for regn eller fugt.** Indtrængning af vand i elværktøj øger risikoen for elektrisk stød.
- ▶ **Brug ikke ledningen til formål, den ikke er beregnet til (f.eks. må man aldrig bære elværktøjet i ledningen, hænge det op i ledningen eller rykke i ledningen for at trække stikket ud af kontakten). Beskyt ledningen mod varme, olie, skarpe kanter eller dele, der er i bevægelse.** Beskadede eller sammenviklede ledninger øger risikoen for elektrisk stød.
- ▶ **Hvis elværktøjet benyttes i det fri, må der kun benyttes en forlængerledning, der er egnet til udendørs brug.** Brug af forlængerledning til udendørs brug nedsætter risikoen for elektrisk stød.
- ▶ **Hvis det ikke kan undgås at anvende elværktøjet i fugtige omgivelser, skal du anvende et fejlstrømsrelæ.** Anvendelsen af et fejlstrømsrelæ nedsætter risikoen for et elektrisk stød.

Personlig sikkerhed

- ▶ **Det er vigtigt at være opmærksom, se, hvad man laver, og bruge maskinen fornuftigt. Anvend aldrig elværktøj, hvis du er træt eller påvirket af stoffer, alkohol eller medicin.** Et øjeblik uopmærksomhed under brugen af elværktøjet kan medføre alvorlige personskader.
- ▶ **Brug beskyttelsesudstyr, og hav altid beskyttelsesbriller på.** Brug af sikkerhedsudstyr som f.eks. støvmaske, skridsikkert fodtøj, beskyttelseshjelm eller høreværn afhængigt af elværktøjets type og anvendelse nedsætter risikoen for personskader.
- ▶ **Undgå utilsigtet igangsætning. Kontrollér, at elværktøjet er frakoblet, før du slutter det til strømforsyningen og/eller batteriet, tager det op eller transporterer det.** Undgå at bære elværktøjet med fingeren på afbryderen, og sørg for, at det ikke er tændt, når det sluttes til nettet, da dette øger risikoen for personskader.
- ▶ **Fjern indstillingsværktøj eller skruenøgler, inden elværktøjet tændes.** Hvis et stykke værktøj eller en nøgle sidder i en roterende maskindel, er der risiko for personskader.
- ▶ **Undgå at arbejde i unormale kropstillinger. Sørg for at stå sikkert, mens der arbejdes, og kom ikke ud af balance.** Det er derved nemmere at kontrollere elværktøjet, hvis der skulle opstå uventede situationer.
- ▶ **Brug egnet arbejdstøj. Undgå løse beklædningsgenstande eller smykker. Hold hår, tøj og handsker væk fra dele, der bevæger sig.** Dele, der er i bevægelse, kan gribe fat i løstsiddende tøj, smykker eller langt hår.
- ▶ **Hvis støvudsugnings- og opsamlingsudstyr kan monteres, er det vigtigt, at dette tilsluttes og benyttes korrekt.** Ved at anvende en støvudsugning er det muligt at nedsætte risiciene som følge af støv.
- ▶ **Man må ikke ignorere sikkerhedsreglerne for elværktøj, heller ikke selvom man er fortrolig med brugen af elværktøjet.** Uagtsomhed kan medføre alvorlig tilskadekomst inden for få sekunder.



Anvendelse og pleje af elværktøjet

- ▶ **Undgå at overbelaste maskinen. Brug altid en maskine, der er beregnet til det stykke arbejde, der skal udføres.** Med det rigtige værktøj arbejder man bedst og mest sikkert inden for det angivne effektområde.
- ▶ **Brug ikke elværktøj, hvis afbryderen er defekt.** En maskine, der ikke kan startes og stoppes, er farlig og skal repareres.
- ▶ **Træk stikket ud af stikkontakten, og/eller fjern batteriet fra maskinen, inden du foretager indstillinger på den, skifter tilbehør og dele eller lægger den til side.** Disse sikkerhedsforanstaltninger forhindrer utilsigtet start af elværktøjet.
- ▶ **Opbevar ubenyttede elværktøjer uden for børns rækkevidde. Lad aldrig personer, der ikke er fortrolige med maskinen eller ikke har gennemlæst sikkerhedsanvisningerne, benytte denne.** Elværktøj er farligt, hvis det benyttes af ukyndige personer.
- ▶ **Sørg for at pleje elværktøj omhyggeligt. Kontrollér, om bevægelige dele fungerer korrekt og ikke sidder fast, og om delene er brækket eller beskadiget, således at elværktøjets funktion påvirkes. Få beskadigede dele repareret, inden elværktøjet tages i brug.** Mange uheld skyldes dårligt vedligeholdte elværktøjer.
- ▶ **Sørg for, at skæreværktøjer er skarpe og rene.** Omhyggeligt vedligeholdte skæreværktøjer med skarpe skærekanter sætter sig ikke så hurtigt fast og er nemmere at føre.
- ▶ **Anvend elværktøj, tilbehør, indsatsværktøj osv. i overensstemmelse med disse anvisninger. Tag hensyn til arbejdsforholdene og det arbejde, der skal udføres.** I tilfælde af anvendelse af maskinen til formål, som ligger uden for det fastsatte anvendelsesområde, kan der opstå farlige situationer.
- ▶ **Sørg for, at greb og gribeflader er tørre, rene og fri for olie og fedt.** Glatte greb og gribeflader gør betjeningen usikker, og det kan være svært at styre elværktøjet i uforudsete situationer.

Service

- ▶ **Sørg for, at elværktøjet kun repareres af kvalificerede fagfolk, og at der altid benyttes originale reservedele.** Dermed sikres størst mulig elværktøjssikkerhed.

2.2 Sikkerhedsanvisninger til hamre

Sikkerhedsanvisninger for alle opgaver

- ▶ **Brug høreværn.** Støjpåvirkningen kan medføre høretab.
- ▶ **Brug de ekstrahåndgreb, som følger med maskinen.** Hvis du mister kontrollen, kan det medføre personskader.
- ▶ **Sørg for at understøtte elværktøjet forsvarligt før brugen.** Dette elværktøj frembringer et højt drejningsmoment. Hvis elværktøjet ikke er sikkert understøttet under brugen, kan det medføre tab af kontrollen eller personskader.
- ▶ **Hold kun maskinen i de isolerede håndtag, når du udfører arbejder, hvor indsatsværktøjet kan ramme skjulte elledninger eller maskinens netkabel.** Ved kontakt med en spændingsførende ledning kan også metalliske værktøjsdele sættes under spænding, hvilket kan medføre elektrisk stød.

Sikkerhedsanvisninger ved anvendelse af lange bor

- ▶ **Begynd altid borearbejdet med lavt omdrejningstal, og mens boret har kontakt med emnet.** Ved højere omdrejningstal kan boret let blive bøjet, hvis det kan rotere frit uden kontakt med emnet, og medføre personskader.
- ▶ **Udvæv ikke et for højt tryk på boret og kun i borets længderetning.** Bor kan blive bøjet og ende med at brække eller medføre tab af kontrollen og resultere i personskader.

2.3 Yderligere sikkerhedsanvisninger for borehammer

Personlig sikkerhed

- ▶ Anvend kun produktet i teknisk fejlfri stand.
- ▶ Foretag aldrig manipulationer eller ændringer på maskinen.
- ▶ Brug de ekstrahåndgreb, som følger med maskinen. Hvis du mister kontrollen, kan det medføre personskader.
- ▶ Ved gennembrydningsarbejde skal du huske at sikre området på den modsatte side. Nedbrydningsdele kan falde ud og/eller ned og volde skade på andre personer.
- ▶ Hold altid maskinen med begge hænder på de dertil beregnede håndtag. Sørg for, at håndgrebene er tørre og rene.
- ▶ Hold maskinen på de isolerede grebsflader, når du udfører opgaver, hvor indsatsværktøjet kan ramme skjulte strømledninger. Ved kontakt med en spændingsførende ledning kan også metalliske værktøjsdele sættes under spænding, hvilket kan medføre elektrisk stød.



- ▶ Undgå berøring af roterende dele - fare for personskader!
- ▶ Anvend egnede beskyttelsesbriller, sikkerhedshjelm, høreværn, beskyttelseshandsker og et let ånde-drætsværn under brugen af maskinen.
- ▶ Brug også beskyttelseshandsker, når du skifter værktøj. Berøring af indsatsværktøjet kan medføre snitsår og forbrændinger.
- ▶ Brug øjenværn. Splinterne fra materialet kan medføre skader på legeme og øjne.
- ▶ Find ud af, hvilken fareklasse det støv, der opstår ved arbejdet, har, inden du går i gang med arbejdet. Anvend en industristøvsuger med en officielt tilladt beskyttelsesklassificering, som opfylder de lokale støvbeskyttelsesbestemmelser. Støv fra materialer såsom blyholdig maling, visse træsorter, beton / murværk / natursten, som indeholder kvarts, og mineraler samt metal kan være sundhedsfarlige.
- ▶ Sørg for en god ventilation af arbejdspladsen, og brug om nødvendigt et åndedrætsværn, som egner sig til den pågældende støvtype. Berøring eller indånding af støv kan medføre allergiske reaktioner og/eller luftvejssygdomme hos brugeren eller personer, der opholder sig i nærheden. Bestemte støvtyper, f.eks. støv fra ege- og bøgetræ, er kræftfremkaldende, især i forbindelse med tilsætningsstoffer til træbehandling (kromat, træbeskyttelsesmidler). Asbestholdige materialer må kun håndteres af fagfolk.
- ▶ Hold pauser under arbejdet, og lav øvelser, så dine fingre får en bedre blodgennemstrømning. Ved længerevarende arbejde kan vibrationer medføre forstyrrelser af fingrenes, hændernes eller håndledenes blodkar og nervesystem.

Elektrisk sikkerhed

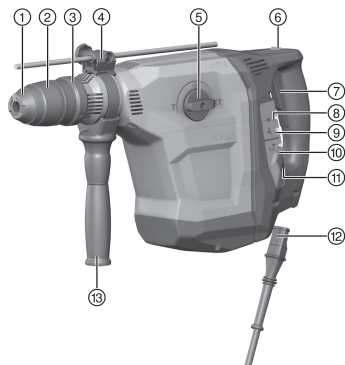
- ▶ Kontrollér før påbegyndelse af arbejdet arbejdsområdet for skjulte elektriske ledninger, gas- og vandrør, f.eks. med en metaldetektor. Udvendige metaldele på maskinen kan medføre elektrisk stød, hvis du ved en fejl kommer til at beskadige en elledning.

Omhyggelig omgang med og brug af elværktøj

- ▶ Sluk omgående elværktøjet, når værktøjet er blokeret. Maskinen kan trække til siden.
- ▶ Vent, indtil elværktøjet er standset helt, før du lægger det fra dig.

3 Beskrivelse

3.1 Produktoversigt



- ① Støvkappe
- ② Værktøjsholder
- ③ Frigøring af værktøj
- ④ Dybdestop (tilbehør)
- ⑤ Funktionsvælger
- ⑥ Mejsellås
- ⑦ Afbryder
- ⑧ Funktionssignal
- ⑨ Serviceindikator
- ⑩ Visning for halv effekt
- ⑪ Kontakt til halv effekt
- ⑫ Netledning med kodet, aftagelig stikforbindelse
- ⑬ Sidegreb



3.2 Bestemmelsesmæssig anvendelse

Det beskrevne produkt er en elektrisk kombihammer med pneumatisk slagmekanisme. Den er beregnet til boring i beton, murværk, træ og metal. Produktet kan desuden anvendes til lette og moderate mejselopgaver i murværk og til efterbearbejdning af beton.

- ▶ Maskinen må kun slttes til den netspænding og -frekvens, som er angivet på typeskiltet.

3.3 Ankre

Produktet egner sig til inddrivning af ankre. Anvend kun egnede boltepestoler!

Udførlige oplysninger herom får du i dit **Hilti Center**.

3.4 Potentiel forkert brug

- Dette produkt egner sig ikke til bearbejdning af sundhedsskadelige materialer.
- Dette produkt egner sig ikke til arbejde i fugtige miljøer.

3.5 Active Vibration Reduction

Produktet er udstyret med et Active Vibration Reduction (AVR)-system, som reducerer vibrationsniveauet markant.

3.6 ATC

Produktet er udstyret med elektronisk hurtigfrakobling ATC (Active Torque Control).

Hvis indsatsværktøjet blokerer eller sætter sig fast, roterer produktet pludselig ukontrolleret i den modsatte retning. ATC registrerer denne pludselige rotationsbevægelse på produktet og kobler omgående produktet fra.



Produktet skal kunne rotere for at fungere korrekt.

Efter udført hurtig frakobling skal du slukket produktet og tænde det igen.

3.7 Serviceindikator

Produktet er udstyret med en serviceindikator med lyssignal.

3.7.1 Tilstand, serviceindikator

Tilstand	Betydning
Serviceindikatoren lyser.	Tidspunktet for service er nået.
Serviceindikatoren blinker	Få kombihammeren repareret af Hilti Service .

3.8 Leveringsomfang

Kombihammer, sidegreb, brugsanvisning.

Andre systemprodukter, som er godkendt til dit produkt, finder du i **Hilti Store** eller på: **www.hilti.group**

4 Tekniske data

4.1 Kombihammer



Nominel spænding, nominel strøm, frekvens og nominelt strømforbrug fremgår af det landespecifikke typeskilt.

Ved drift på en generator eller transformator skal dennes udgangseffekt være mindst dobbelt så høj som det nominelle strømforbrug, der fremgår af maskinens typeskilt. Transformatorens eller generatorens driftsspænding skal til enhver tid ligge inden for +5 % og -15 % af maskinens nominelle spænding.

Vægt i henhold til EPTA-procedure 01	10 kg
--------------------------------------	-------



4.2 Støjinformation og vibrationsværdier iht. EN 60745

Lydtryk- og vibrationsværdier i denne brugsanvisning er målt i henhold til en standardiseret målemetode og kan anvendes til sammenligning af forskellige elværktøjer. De kan også anvendes til en foreløbig vurdering af den eksponering, brugeren udsættes for. De anførte data repræsenterer elværktøjets primære anvendelsesformål. Hvis elværktøjet imidlertid anvendes til andre formål, med andre indsatsværktøjer eller utilstrækkelig vedligeholdelse, kan dataene afvige. Dette kan forøge den eksponering, som brugeren udsættes for, i hele arbejdstiden markant. For at opnå en præcis vurdering af den eksponering, som brugeren udsættes for, bør også den tid, hvor maskinen er slukket eller blot kører uden at blive anvendt, inddrages. Dette kan reducere den eksponering, som brugeren udsættes for, i hele arbejdstiden markant. Fastlæg yderligere sikkerhedsforanstaltninger til beskyttelse af brugeren mod støj- og/eller vibrationspåvirkninger, f.eks. er det vigtigt at vedligeholde elværktøj og indsatsværktøj, at holde hænderne varme og at organisere arbejdsprocesserne.

Støjemissionsværdier

Lydeffektniveau (L_{WA})	111 dB(A)
Usikkerhed, lydeffektniveau (K_{WA})	3 dB(A)
Lydtrykniveau (L_{pA})	100 dB(A)
Usikkerhed, lydtrykniveau (K_{pA})	3 dB(A)

Samlede vibrationsværdier

Vibrationsemissionsværdi, borehamring i beton ($a_{h,HD}$)	8,3 m/s ²
Vibrationsemissionsværdi, mejsling ($a_{h,ChEQ}$)	8 m/s ²
Usikkerhed (K)	1,5 m/s ²

5 Betjening

5.1 Forberedelse af arbejdet

FORSIGTIG

Fare for personskader! Utløst start af produktet.

- ▶ Træk stikket ud af stikkontakten, inden du foretager indstillinger eller skifter tilbehørsdele.

Følg sikkerheds- og advarselshenvisningerne i denne dokumentation og på produktet.

5.1.1 Tilslutning af aftageligt netkabel

FORSIGTIG

Fare for personskader på grund af krybestrøm ved tilsmudsede kontakter.

- ▶ Slut kun den aftagelige elstikforbindelse til den elektriske maskine i ren, tør og spændingsfri tilstand.

1. Sæt den kodede, aftagelige elektriske stikforbindelse helt ind i produktet, til låsemekanismen går hørbart i indgreb.
2. Sæt stikket i stikkontakten.

5.1.2 Adskillelse af det aftagelige netkabel fra den elektriske maskine

1. Træk stikket ud af stikkontakten.
2. Tryk på låseknappen, og træk den kodede, aftagelige elektriske stikforbindelse ud.
3. Træk netkablet ud af maskinen.

5.1.3 Montering af sidegreb

FORSIGTIG

Fare for personskader Manglende kontrol over kombihammeren.

- ▶ Kontrollér, at sidegrebet er monteret rigtigt og fastgjort korrekt. Kontrollér, at spændebåndet ligger i den dertil beregnede not på maskinen.

1. Drej på grebet for at løsne sidegrebets holder (spændebånd).
2. Skub holderen (spændebånd) på forfra over værktøjsholderen frem til den dertil beregnede not.
3. Anbring sidegrebet i den ønskede position.



4. Drej på grebet for at spænde sidegrebets holder (spændebånd).

5.1.4 Montering af dybdestop (ekstratilbehør)

1. Drej på grebet for at løsne sidegrebets holder (spændebånd).
2. Skub dybdestoppet på forfra ind i de dertil beregnede 2 styrehuller.
3. Drej på grebet for at spænde sidegrebets holder (spændebånd).

5.1.5 Afbryderspærre



Under mejslingen kan du låse afbryderen, mens maskinen er i gang.

- ▶ Tryk på afbryderspærren.

5.1.6 Indsætning af værktøj



Hvis der anvendes en fedttype, som ikke egner sig, kan det medføre skader på produktet. **Anvend kun originalt fedt fra Hilti.**

1. Smør indsatsværktøjets indstiksende med et tyndt lag fedt.
 - ▶ Anvend kun originalt fedt fra **Hilti**. En forkert fedttype kan medføre skader på produktet.
2. Sæt indsatsværktøjet i værktøjsholderen indtil anslag, og lad det gå i indgreb.
3. Kontrollér efter isætning, at værktøjet sidder sikkert fast ved at trække i det.
 - ▶ Produktet er klar til brug.

5.1.7 Udtagning af værktøj

- ▶ Træk værktøjslåsen tilbage indtil anslag, og tag indsatsværktøjet ud.
-



Anvend kun originalt fedt fra **Hilti**. Hvis der anvendes en fedttype, som ikke egner sig, kan det medføre skader på produktet.

5.1.8 Indstilling af effekt



Indstilling af effekten kan kun foretages, når maskinen er i drift.

For at indstille halv effekt skal du trykke på knappen "Halv effekt". Den reducerede effekt angives ved at effektindikatoren lyser. Hvis du igen trykker på knappen "Halv effekt", indstilles maskinen igen til fuld effekt, og effektindikatoren slukkes.

Hvis produktet slukkes og tændes igen, er den fulde effekt også til disposition igen.

- ▶ Indstil effekten.

5.2 Arbejde



ADVARSEL

Fare for elektrisk stød! Manglende jordleder og fejlstrømsrelæ kan medføre alvorlige personskader og forbrændinger.

- ▶ Kontrollér, at den elektriske tilledning på byggepladsen, hvad enten den kommer fra elnettet eller en generator, altid er forsynet med en jordleder og et fejlstrømsrelæ, og at den er tilsluttet disse.
 - ▶ Sæt aldrig noget produkt i drift uden disse sikkerhedsforanstaltninger.
-



ADVARSEL

Fare på grund af beskadigede ledninger! Hvis netkablet eller forlængerledningen bliver beskadiget under arbejdet, skal du omgående afbryde maskinen og kablet fra lysnettet. Berør ikke det defekte sted!

- ▶ Kontrollér regelmæssigt alle tilslutningsledninger. Udskift defekte forlængerledninger.
-

Sørg for at få byggeledelsens fulde tilladelse til arbejdet.



5.2.1 Boring uden slagfunktion



Boring uden slagfunktion er muligt med værktøj med særlig indstiksende. **Hiltis** værktøjsprogram omfatter sådanne værktøjer.

Med den selvspændende borepatron er det eksempelvis muligt at fastspænde træbor eller stålbor med cylindrisk skaft og bore uden slagfunktion.

- ▶ Sæt funktionsvælgeren på denne position

5.2.2 Boring med slagfunktion (hammerboring)

- ▶ Sæt funktionsvælgeren på denne position

5.2.3 Placering af mejsel

FORSIGTIG

Fare for personskader! Tab af kontrol over mejselretningen.

- ▶ Arbejd ikke i positionen "Placering af mejsel". Sæt funktionsvælgeren på positionen "Mejsling".



Mejslen kan låses i 24 forskellige positioner (i trin på 15°). Dette gør, at man med flad- og formmejsler altid kan arbejde i den korrekte arbejdsstilling.

- ▶ Sæt funktionsvælgeren på denne position

5.2.4 Mejsling

- ▶ Sæt funktionsvælgeren på denne position

6 Rengøring og vedligeholdelse

ADVARSEL

Fare på grund af elektrisk stød! Pleje og vedligeholdelse med isat netstik kan medføre alvorlige personskader og forbrændinger.

- ▶ Træk altid netstikket ud før alle pleje- og vedligeholdelsesarbejder!

Pleje

- Fjern forsigtigt fastsiddende snavs.
- Rengør forsigtigt ventilationsåbningerne med en tør børste.
- Rengør kun kabinettet med en let fugtet klud. Undlad at anvende silikoneholdige plejemidler, da de kan angribe plastdelene.

Vedligeholdelse

ADVARSEL

Fare for elektrisk stød! Fagmæssigt ukorrekte reparationer på elektriske dele kan medføre alvorlige personskader og forbrændinger.

- ▶ Reparationer på eldelene må kun udføres af en elektriker.
- Kontrollér regelmæssigt alle synlige dele for skader, og at betjeningselementerne fungerer fejlfrit.
- Anvend ikke produktet i tilfælde af beskadigelse og/eller funktionsfejl. Få omgående udført reparation hos **Hilti Service**.
- Monter alle beskyttelsesanordninger efter pleje- og vedligeholdelsesarbejder, og kontrollér dem for funktion.



Anvend kun originale reservedele og forbrugsmaterialer af hensyn til en sikker drift. Reservedele, forbrugsmaterialer og tilbehør til dit produkt, som vi har godkendt, finder du i dit **Hilti Store Center** eller under: www.hilti.group.

6.1 Rengøring af støvkappen

- ▶ Rengør regelmæssigt støvkappen på værktøjsholderen med en ren, tør klud.
- ▶ Tør forsigtigt tætningen ren, og påfør den derefter et tyndt lag **Hilti**-fedt.



- Udskift altid støvkappen, hvis tætningen er beskadiget.

7 Transport og opbevaring

- Transportér ikke elværktøj med isat værktøj.
- Opbevar altid elværktøj med netstikket trukket ud.
- Opbevar maskinen tørt og utilgængeligt for børn og uvedkommende personer.
- Efter længerevarende transport eller opbevaring skal elværktøjet kontrolleres for skader før ibrugtagning.

8 Fejlafhjælpning

Ved fejl, som ikke fremgår af denne tabel, eller som du ikke selv kan afhjælp, beder vi dig om at kontakte **Hilti Service**.

8.1 Fejlsøgning

Fejl	Mulig årsag	Løsning
Produktet starter ikke.	Elforsyningen er afbrudt.	► Tilslut en anden elektrisk maskine, og kontrollér dennes funktion.
	Generatoren er i Sleep Mode.	► Belast generatoren med endnu en forbruger (f.eks. en arbejds-lampe). Sluk for produktet og tænd det igen.
	Den elektroniske startspærre efter en strømafbrydelse er aktiveret.	► Sluk produktet, og tænd det igen.
	Aftageligt netkabel ikke isat korrekt.	► Tilslut det aftagelige netkabel korrekt på den elektriske maskine.
	Kullene er slidte.	► Lad en elektriker kontrollere og om nødvendigt udskifte afbryderen.
Ingen slagfunktion.	Produktet er for koldt.	► Sæt produktet på underlaget og lade det køre i tomgang. Gentag om nødvendigt proceduren, indtil slagmekanismen arbejder.
Produktet har ikke fuld effekt.	Forlængerledning for lang og / eller med for lille tværsnit.	► Anvend en forlængerledning med godkendt længde og / eller med tilstrækkeligt tværsnit.
	Afbryderen er ikke trykket helt ind.	► Tryk afbryderen helt i bund.
	Strømforsyningen har en for lav spænding.	► Slut produktet til en anden strømforsyning.
	Knappen "halv effekt" er aktiveret.	► Tryk på knappen "halv effekt".
Boret drejer ikke.	Funktionsvælger er ikke gået i indgreb eller befinder sig i positionen "Mejsling" T eller i positionen "Placering af mejsel" -∅ .	► Anbring funktionsvælgeren i stillingen "Hammerboring" ∅T , mens maskinen er standset.
Boret kan ikke frigøres.	Værktøjsholderen er ikke trukket helt tilbage.	► Træk værktøjslåsen helt tilbage, og tag værktøjet ud.
	Sidegrebet er ikke rigtigt monteret.	► Løsn sidegrebet, og monter det korrekt, så spændebåndet og sidegrebet er i indgreb i fordybningen.
Produktet slukker, når boret er fastklemt.	Den elektroniske beskyttelsesanordning blev aktiveret for at undgå yderligere fastklemning.	► Løsn boret.
Serviceindikatoren blinker	Skader på produktet.	► Få produktet repareret af Hilti Service .



Fejl	Mulig årsag	Løsning
Serviceindikatoren lyser.	Kullene er slidte.	► Lad en elektriker kontrollere og om nødvendigt udskifte afbryderen.

9 Bortskaffelse

Størstedelen af de materialer, som anvendes ved fremstillingen af **Hilti**-produkter, kan genvindes. Materialerne skal sorteres, før de kan genvindes. I mange lande modtager **Hilti** dine udtjente maskiner med henblik på genvinding. Spørg **Hilti** kundeservice eller din forhandler.



- Elværktøj, elektriske maskiner og batterier må ikke bortskaffes sammen med almindeligt husholdningsaffald!

10 RoHS (direktiv til begrænsning af anvendelsen af farlige stoffer)

Under følgende link finder du tabellen med farlige stoffer: qr.hilti.com/r6851673.

Et link til RoHS-tabellen finder du i slutningen af denne dokumentation som QR-kode.

11 Producentgaranti

- Hvis du har spørgsmål vedrørende garantibetingelserne, bedes du henvende dig til din lokale **Hilti**-partner.

Originalbrugsanvisning

1 Uppgifter för dokumentation

1.1 Om denna dokumentation

- Läs denna dokumentation innan du börjar ta enheten i drift. Det är en förutsättning för säkert arbete och problemfri hantering.
- Observera de säkerhets- och varningsanvisningar som du hittar i dokumentationen och på själva enheten.
- Förvara alltid bruksanvisningen tillsammans med produkten och överlämna aldrig produkten till någon annan utan att bifoga den.

1.2 Teckenförklaring

1.2.1 Varningar

Varningarna är till för att varna för risker i samband med användning av produkten. Följande riskindikeringar används:



FARA

FARA !

- Anger överhängande risker som kan leda till svåra personskador eller dödsolycka.



VARNING

VARNING !

- Anger potentiella risker som kan leda till svåra personskador eller dödsfall.



FÖRSIKTIGHET

FÖRSIKTIGHET !

- Används för att uppmärksamma om en potentiell risksituation som kan leda till skador på person eller utrustning.



1.2.2 Symboler i dokumentationen

I den här dokumentationen används följande symboler:

	Läs bruksanvisningen före användning
	Anmärkningar och annan praktisk information
	Hantering av återvinningsbara material
	Elverktyg och batterier får inte kastas i hushållssoporna

1.2.3 Symboler i bilderna

Följande symboler används i bilder:

	Dessa siffror hänvisar till motsvarande bild i början av bruksanvisningen
	Numreringen återger ordningsföljden hos arbetsmomenten på bilden och kan skilja sig från arbetsmomenten i texten
	På bilden Översikt används positionsnummer som hänvisar till siffrorna i teckenförklaringen i avsnittet Produktöversikt
	Det här tecknet är till för att du ska vara extra uppmärksam på något som gäller hur du hanterar produkten.
	Använd skyddshandskar under arbetet.

1.3 Produktberoende symboler

1.3.1 Symboler på produkten

Följande symboler kan förekomma på produkten:

	volt
	ampere
	hertz
	Varv per minut
	Varv per minut
	Diameter
	Växelström
	Skyddstyp II (dubbelisolerad)
	Produkten stöder trådlös dataöverföring som är kompatibel med iOS- och Android-plattformar.

1.4 Produktinformation

HILTI-produkter är avsedda för professionella användare och får endast användas, underhållas och repareras av auktoriserad, utbildad personal. Personalen måste vara särskilt informerad om de risker som finns. Produkten och dess tillbehör kan utgöra en risk om den används på ett felaktigt sätt av utbildad personal eller inte används enligt föreskrifterna.

Typbeteckning och serienummer anges på typskylten.



- ▶ Använd de serienummer som anges i följande tabell. Du behöver produktuppgifterna när du kontaktar vår återförsäljare eller serviceverkstad.

Produkt detaljer

Kombihammare	TE 70-ATC/AVR
Generation	04
Serienr	

1.5 Försäkran om överensstämmelse

Vi försäkrar på eget ansvar att den produkt som beskrivs här överensstämmer med gällande direktiv och standarder. En bild på försäkran om överensstämmelse hittar du i slutet av dokumentationen.

Den tekniska dokumentationen finns sparad här:

Hilti Entwicklungsgesellschaft mbH | Zulassung Geräte | Hiltistraße 6 | 86916 Kaufering, Tyskland

2 Säkerhet

2.1 Allmänna säkerhetsföreskrifter för elverktyg

⚠ VARNING Läs noga igenom alla säkerhetsföreskrifter, anvisningar, avbildningar och tekniska data som medföljer detta elverktyg. Om nedanstående anvisningar inte följs, finns risk för elektriska stötår, brand och/eller svåra skador.

Förvara alla säkerhetsföreskrifter och anvisningarna på ett säkert ställe för framtida användning.

Begreppet "elverktyg" som används i säkerhetsföreskrifterna avser nätdrivna elverktyg (med nätkabel) och batteridrivna elverktyg (sladdlösa).

Säker arbetsmiljö

- ▶ **Håll arbetsområdet rent och väl belyst.** Oordning eller bristfällig belysning på arbetsplatsen kan leda till olyckor.
- ▶ **Arbeta inte med elverktyget i omgivning med explosionsrisk där det finns brännbara vätskor, gaser eller damm.** Elverktyg alstrar gnistor som kan antända dammet eller gaserna.
- ▶ **Håll barn och obehöriga personer på betryggande avstånd under arbetet med elverktyget.** Om du störs av obehöriga personer kan du förlora kontrollen över verktyget.

Elsäkerhet

- ▶ **Elverktygets elkontakt måste passa till vägguttaget. Elkontakten får absolut inte ändras. Använd inte adapterkontakter tillsammans med skyddsjordade elverktyg.** Originalkontakter och lämpliga vägguttag minskar risken för elstötår.
- ▶ **Undvik kroppskontakt med jordade ytor som rör, värmeelement, spisar och kylskåp.** Det finns en större risk för elstötår om din kropp är jordad.
- ▶ **Skydda elverktyget från regn och väta.** Tränger vatten in i ett elverktyg ökar risken för elstötår.
- ▶ **Använd inte anslutningskabeln på ett felaktigt sätt, t.ex. genom att bära eller hänga upp elverktyget i den eller dra i den för att lossa elkontakten ur vägguttaget. Håll anslutningskabeln på avstånd från värmekällor, olja, vassa kanter och rörliga delar.** Skadade eller tilltrasslade anslutningskablar ökar risken för elstötår.
- ▶ **När du arbetar med ett elverktyg utomhus, använd endast förlängningskablar som är avsedda för utomhusbruk.** Genom att använda en lämplig förlängningskabel för utomhusbruk minskar du risken för elstötår.
- ▶ **Om det är alldeles nödvändigt att använda verktyget i fuktig miljö ska du använda en jordfelsbrytare.** Användning av jordfelsbrytare minskar risken för elstötår.

Personsäkerhet

- ▶ **Var uppmärksam, ha uppsikt över vad du gör och använd elverktyget med förnuft. Använd aldrig elverktyg om du är trött eller påverkad av droger, alkohol eller medicin.** En kort sekund av bristande uppmärksamhet när du arbetar med ett elverktyg kan leda till att du skadar dig själv eller någon annan svårt.
- ▶ **Bär alltid personlig skyddsutrustning och skyddsglasögon.** Genom att använda personlig skyddsutrustning som t.ex. dammskyddsmask, halkfria säkerhetsskor, hjälm eller hörselskydd, beroende på vilket elverktyg du använder och till vad, minskar du risken för kroppsskada.
- ▶ **Undvik oavsiktlig igångsättning. Se till att elverktyget är fränkopplat innan du ansluter det till nätströmmen och/eller batteriet, tar upp det eller bär det.** Om du bär elverktyget med fingret på strömbrytaren eller ansluter ett tillkopplat verktyg till nätströmmen kan en olycka inträffa.



- ▶ **Ta bort alla inställningsverktyg och skruvnycklar innan du kopplar in elverktyget.** Ett verktyg eller en nyckel i en roterande komponent kan leda till skador.
- ▶ **Undvik en onormal kroppshållning. Se till att du står stadigt och håller balansen.** Då kan du lättare kontrollera elverktyget i oväntade situationer.
- ▶ **Bär lämpliga kläder. Bär inte löst hängande kläder eller smycken. Håll håret, kläderna och handskarna på avstånd från rörliga delar.** Löst hängande kläder, smycken och långt hår kan dras in av roterande delar.
- ▶ **När du använder elverktyg med anordningar för uppsugning och uppsamling av damm, bör du kontrollera att dessa anordningar är rätt monterade och används korrekt.** Används en dammsugare kan faror som orsakas av damm minskas.
- ▶ **Invagga dig inte i falsk säkerhet och strunta inte säkerhetsreglerna för elverktyg även om du har stor vana vid att arbeta med elverktyget.** Oförsiktig hantering kan leda till allvariga skador inom bråkdelar av en sekund.

Användning och hantering av elverktyg

- ▶ **Överbelasta inte verktyget. Använd elverktyg som är avsedda för det aktuella arbetet.** Med ett lämpligt elverktyg kan du arbeta bättre och säkrare inom angivet effektområde.
- ▶ **Använd aldrig elverktyget om strömbrytaren är defekt.** Ett elverktyg som inte kan kopplas in eller ur är farligt och måste repareras.
- ▶ **Dra ut elkontakten ur uttaget och/eller ta i förekommande fall bort det löstagbara batteriet innan du gör inställningar, byter tillbehör eller lägger ifrån dig verktyget.** Denna skyddsåtgärd förhindrar att du eller någon annan råkar sätta igång elverktyget av misstag.
- ▶ **Förvara elverktyg oåtkomligt för barn. Verktyget får inte användas av personer som inte är vana eller inte har läst dessa anvisningar.** Elverktyg är farliga om de används av oerfarna personer.
- ▶ **Underhåll elverktygen och tillbehören noggrant. Kontrollera att rörliga komponenter fungerar felfritt och inte kärvar och att komponenter inte har brustit eller skadats så att elverktygets funktion påverkas negativt. Se till att skadade delar repareras innan verktyget används igen.** Många olyckor orsakas av dåligt skötta elverktyg.
- ▶ **Håll insatsverktygen skarpa och rena.** Omsorgsfullt skötta insatsverktyg med skarpa egg kommer inte så lätt i kläm och går lättare att styra.
- ▶ **Använd elverktyg, tillbehör, insatsverktyg osv. enligt dessa anvisningar. Ta hänsyn till arbetsvillkoren och arbetsmomenten.** Används elverktyget på icke ändamålsenligt sätt kan farliga situationer uppstå.
- ▶ **Se till att handtaget och greppytorna är torra, rena och fria från olja och fett.** Med hala handtag och grippytor går det inte att hantera och kontrollera elverktyget säkert i oväntade situationer.

Service

- ▶ **Låt endast kvalificerad fackpersonal reparera elverktyget och använd då endast originalreservdelar.** Detta garanterar att elverktygets säkerhet upprätthålls.

2.2 Säkerhetsföreskrifter för hammare

Säkerhetsanvisningar för alla arbeten

- ▶ **Bär hörselskydd.** Buller kan leda till hörselskador.
- ▶ **Använd de extrahandtag som levereras tillsammans med verktyget.** Tappar du kontrollen över verktyget kan det leda till skador.
- ▶ **Se till att elverktyget har bra stöd innan du använder det.** Detta elverktyg skapar ett högt vridmoment. Om elverktyget inte har ett stabilt stöd vid användningen kan följden bli kontrollförlust och kroppsskador.
- ▶ **Håll i verktygets isolerade greppytor vid arbeten där du riskerar att träffa dolda elkablar eller den egna nätkabeln.** Vid kontakt med en spänningssatt ledning kan metalldelar på verktyget spänningssättas och ge dig en stöt.

Säkerhetsanvisningar vid användning av långa borrar

- ▶ **Börja alltid att borra med lågt varvtal och med borrarpsens i kontakt med arbetsstycket.** Om borret tillåts rotera utan kontakt med arbetsstycket kan det vid högre varvtal lätt komma åt böjas, med åtföljande risk för personskador.
- ▶ **Använd inte för hårt tryck mot arbetsstycket och rikta trycket endast rakt i borrets längdriktning.** Följden kan annars bli att borret böjs så att det går sönder, eller att du tappar kontrollen över verktyget med risk för personskador.



2.3 Ytterligare säkerhetsföreskrifter för borrhammare

Personsäkerhet

- ▶ Använd verktyget bara om det är fullt funktionsdugligt.
- ▶ Manipulera eller ändra aldrig något på verktyget.
- ▶ Använd de extrahandtag som levereras tillsammans med verktyget. Tappas du kontrollen över verktyget kan det leda till skador.
- ▶ Vid genombrottsarbeten, tänk på att säkra området på motstående sida. Annars finns det risk för att det material som lossnar ramlar ner eller skjuter iväg och skadar människor i närheten.
- ▶ Håll alltid verktyget i handtagen med båda händerna. Håll alltid handtaget torrt och rent.
- ▶ Håll verktyget i de isolerade greppytorna medan du arbetar, eftersom det kan finnas risk att insatsverktyget stöter på en dold elledning. Vid kontakt med en spänningssatt ledning kan metalldelar på verktyget spänningssättas och ge dig en stöt.
- ▶ Rör inte vid roterande delar – risk för personskada!
- ▶ Använd lämpliga skyddsglasögon, skyddshjälm, hörselskydd, skyddshandskar och ett lätt andningsskydd när du arbetar med verktyget.
- ▶ Använd skyddshandskar även vid byte av insatsverktyg. Det finns risk för skär- och brännskador vid beröring av nyss använda insatsverktyg.
- ▶ Använd skyddsglasögon. Splitter kan skada oskyddade kroppsdelar och ögon.
- ▶ Ta bort de dammpartiklar som har uppstått innan arbetet i riskklassen startas. Använd en byggdamm-sugare med en standardskyddsklassificering som motsvarar de lokala dammskyddsbestämmelserna. Damm från material med blyhaltig färg, vissa träslag, betong, tegel, sten som innehåller kvarts, mineraler och metall kan vara hälsovådliga.
- ▶ Se till att arbetsplatsen har god ventilation, och använd vid behov en andningsmask som är avsedd för damm av det aktuella slaget. Beröring eller inandning av damm kan orsaka allergiska reaktioner och/eller sjukdomar i andningsvägarna hos användaren eller hos personer som befinner sig i närheten. Vissa slags damm, till exempel från ek eller bok, anses vara cancerframkallande, särskilt i kombination med tillsatssämnen för behandling av trä (kromat, träskyddsmedel). Asbesthaltigt material får bara hanteras av särskilt utbildad personal.
- ▶ Gör pauser i arbetet och utför fingerövningar som ökar blodgenomströmningen i fingrarna. Vid långvarigt, ihållande arbete kan vibrationerna ge besvär i blodkärl och nerver i fingrarna, händerna och handlederna.

Elektrisk säkerhet

- ▶ Undersök om det finns dolda el-, gas- och vattenledningar inom arbetsområdet innan du påbörjar arbetet. Utanpåliggande metalldelar på verktyget kan orsaka elstötar om du oavsiktligt råkar skada en elledning.

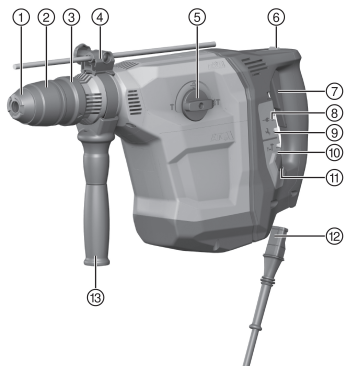
Omsorgsfull hantering och användning av elverktyg

- ▶ Stäng genast av elverktyget om insticksverktyget blockeras. Elverktyget kan vridas i sidled.
- ▶ Vänta tills elverktyget stannat helt innan du lägger det ifrån dig.



3 Beskrivning

3.1 Produktöversikt



- ① Dammskydd
- ② Chuck
- ③ Chuckhylsa
- ④ Djupanslag (tillbehör)
- ⑤ Funktionsväljare
- ⑥ Mejsellås
- ⑦ Strömbrytare
- ⑧ Funktionssignal
- ⑨ Serviceindikator
- ⑩ Indikering för halv effekt
- ⑪ Strömbrytare för halv effekt
- ⑫ Nätkabel med kodad, avtagbar kontakt
- ⑬ Sidohandtag

3.2 Avsedd användning

Den produkt som beskrivs här är en eldriven kombihammare med pneumatisk slagmekanism. Den är avsedd för borrar i betong, tegel, trä och metall. Produkten kan även användas för lätta till medellätta mejslingsarbeten i tegel och efterarbeten i betong.

- ▶ Använd endast verktyget anslutet till huvudnät med spänning och frekvens som stämmer överens med uppgifterna på verktygets typskylt.

3.3 Hakankare

Produkten är avsedd för infästning av hakankare. Endast därför avsedda sättverktyg ska användas! Mer information om detta hittar du i ditt **Hilti**-center.

3.4 Möjlig felanvändning

- Den här produkten är inte avsedd för bearbetning av hälsovådliga material.
- Den här produkten är inte avsedd att användas i fuktiga miljöer.

3.5 Active Vibration Reduction

Produkten är utrustad med ett Active Vibration Reduction (AVR)-system som märkbart minskar vibrationerna.

3.6 ATC

Verktyget är försett med elektronisk snabbavstängning ATC (Active Torque Control).

Om insatsverktyget blockerar eller kläms fast, vrider sig verktyget plötsligt okontrollerat i motsatt riktning. ATC-funktionen känner av den plötsliga vriddrörelsen och stänger genast av verktyget.





För att fungera normalt måste verktyget kunna rotera obehindrat.
Efter snabbavstängning, stäng av verktyget och slå sedan på det igen.

3.7 Serviceindikator

Produkten är utrustad med serviceindikering med ljussignal.

3.7.1 Serviceindikering

Status	Betydelse
Serviceindikatorn lyser.	Drifttiden för service har uppnåtts.
Serviceindikatorn blinkar.	Låt Hilti -service reparera kombihammaren.

3.8 Leveransinnehåll

Kombihammare, sidohandtag, bruksanvisning.

Dessutom finns fler systemprodukter för din produkt både i närmaste **Hilti Store** och på nätet: www.hilti.group

4 Teknisk information

4.1 Kombihammare



Märkspänning, märkström, frekvens och märkeffekt finns angivet på den landsspecifika typskylten på ditt verktyg.

Om enheten drivs via en generator eller transformator måste denna ha en uteffekt som är minst dubbelt så hög som den märkeffekt som finns angiven på verktygets typskylt. Transformatorns eller generatorns driftspänning måste alltid ligga inom +5 % och -15 % av verktygets märkspänning.

Vikt enligt EPTA-procedur 01	10 kg
------------------------------	-------

4.2 Bullerinformation och vibrationsvärden enligt EN 60745

De ljudtrycks- och vibrationsvärden som anges i anvisningarna har uppmätts med en standardiserad mätmetod och kan användas för att jämföra olika elverktyg med varandra. De kan också användas för att göra en preliminär uppskattning av exponeringarna. De angivna värdena representerar borrhammarens huvudsakliga användning. När elverktyget begagnas inom andra områden, med andra insatsverktyg eller med otillräckligt underhåll, kan mätning ge avvikande värden. Det innebär att exponeringen under den totala arbetstiden kan ökas betydligt. För att uppskattningen av exponeringarna ska bli exakt bör man också räkna in de tider då verktyget är fränkopplat, eller då det är tillkopplat men inte används. Detta kan minska exponeringen betydligt under den totala arbetstiden. Vidta även andra säkerhetsåtgärder för att skydda användaren mot effekterna av buller och/eller vibrationer, exempelvis: Underhåll av elverktyg och insatsverktyg, möjlighet att hålla händerna varma, organisation av arbetsförloppen.

Bullervärden

Ljudeffektnivå (L_{WA})	111 dB(A)
Osäkerhet ljudeffektnivå (K_{WA})	3 dB(A)
Ljudtrycksnivå (L_{pA})	100 dB(A)
Osäkerhet ljudtrycksnivå (K_{pA})	3 dB(A)

Sammanlagt vibrationsvärde

Vibrationsemissionsvärde vid borrhämring i betong ($a_{h,HD}$)	8,3 m/s ²
Vibrationsemissionsvärde vid mejsling ($a_{h,Cheq}$)	8 m/s ²
Osäkerhet (K)	1,5 m/s ²



5 Användning

5.1 Förberedelser för arbete

FÖRSIKTIGHET

Risk för personskada! Oavsiktlig igångsättning av produkten.

- ▶ Dra alltid ur elsladden innan du gör några inställningar på verktyget eller byter tillbehörsdelar.

Observera de säkerhets- och varningsanvisningar som du hittar i dokumentationen och på själva enheten.

5.1.1 Ansluta nätkabel med stickkontakt

FÖRSIKTIGHET

Risk för personskada på grund av läckström vid smutsiga kontakter.

- ▶ Se till att endast ansluta den löstagbara kontakten till elverktyget i rent, torrt och spänningslöst tillstånd.

1. För in den kodade, löstagbara nätkabeln så långt det går i verktyget tills du hör att spärren hakar i.
2. Stick in kabeln i uttaget.

5.1.2 Dra ut nätkabel ur elverktyg

1. Dra ut stickkontakten ur uttaget.
2. Tryck ner låsningssknappen och dra ut den kodade, avtagbara nätkabeln.
3. Dra ut nätkabeln ur verktyget.

5.1.3 Montera sidohandtaget

FÖRSIKTIGHET

Risk för personskada Förlust av kontroll över kombihammaren.

- ▶ Kontrollera att sidohandtaget är korrekt monterat och ordentligt fastsatt. Se till att spännbandet ligger i det avsedda spåret på verktyget.

1. Vrid på handtaget för att lossa sidohandtagsfästet (spännbandet).
2. Skjut fästet framifrån över chucken tills det går i det därför avsedda spåret.
3. Placera sidohandtaget i önskat läge.
4. Vrid på handtaget för att spänna fast sidohandtagsfästet (spännbandet).

5.1.4 Montera djupmått (tillval)

1. Vrid på handtaget för att lossa sidohandtagsfästet (spännbandet).
2. Skjut in djupmättet framifrån i de två genomföringshålén.
3. Vrid på handtaget för att spänna fast sidohandtagsfästet (spännbandet).

5.1.5 Strömbrytarspär



Medan mejslingen pågår kan du låsa fast strömbrytaren i intryckt läge.

- ▶ Använd strömbrytarspärren.

5.1.6 Sätta i insatsverktyg



Användning av olämpligt fett kan orsaka skador på produkten. **Använd endast originalfett från Hilti.**

1. Fetta in insticksändén på insatsverktyget en aning.
 - ▶ Använd endast originalfett från **Hilti**. Felaktigt fett kan orsaka skador på produkten.
2. Stick in insatsverktyget i chucken så att det går i lås.
3. Dra i verktyget efter insättningen för att kontrollera att det sitter ordentligt fast.
 - ▶ Nu är produkten färdig att användas.



5.1.7 Ta ur insatsverktyg

- Dra chuckhylsan tillbaka till anslag och ta ut insatsverktyget.



Använd endast originalfett från **Hilti**. Användning av olämpligt fett kan orsaka skador på produkten.

5.1.8 Ställa in effekt



Effekt kan bara ställas in medan verktyget används.

För att ställa in halv effekt trycker du på knappen "halv effekt". Den reducerade effekten visas genom att effektdikeringen tänds. Trycker du på knappen för "halv effekt" igen, återgår verktyget till full effekt och effektdikeringen slocknar.

Om produkten stängs av och sedan sätts på igen är full effekt också tillgänglig igen.

- Ställ in effekten.

5.2 Arbeta



VARNING

Risk för elstööt! Om jordledare och jordfelsbrytare saknas kan det leda till svåra person- och brännskador.

- Kontrollera att det i strömförsörjningsledningen på arbetsplatsen (ström från elnät eller generator) alltid finns jordledare och jordfelsbrytare och att de är anslutna.
- Produkten får inte användas utan dessa säkerhetsanordningar.



VARNING

Fara på grund av skadad kabel! Om nät- eller förlängningskabeln skadas under arbetet, dra genast ut verktyget och kabeln från eluttaget. Ta inte på det ställe där kabeln är skadad!

- Kontrollera regelbundet alla anslutningskablar. Byt ut defekta förlängningskablar.

Be om godkännande från byggladningen samtliga för arbeten som ska utföras!

5.2.1 Borring utan slag



Borring utan slag kan utföras med verktyg som har en särskild insticksände. Sådana verktyg finns att beställa från **Hiltis** verktygsprogram.

Med snabbchucken kan till exempel träborr eller stålborr spännas fast med cylinderskaft och användas vid borring utan slag.

- Ställ funktionsväljaren i läget

5.2.2 Borring med slag (hammarboring)

- Ställ funktionsväljaren i läget

5.2.3 Mejselpositionering



FÖRSIKTIGHET

Risk för personskada! Förlust av kontrollen över mejslingsriktningen.

- Arbeta inte i läget för positionering av mejseln. Ställ funktionsväljaren i läget "mejsling" så att den snäpper fast där.



Mejseln kan låsas fast i 24 olika lägen (ett steg per 15°). Därigenom kan man alltid hitta en optimal arbetsställning vid arbete med flat- eller formmejsel.

- Ställ funktionsväljaren i läget

5.2.4 Mejsling

- Ställ funktionsväljaren i läget



6 Skötsel och underhåll

VARNING

Risk för elstötar! Vid skötsel och underhåll finns risk för svåra person- och brännskador om elkontakten inte dras ur.

- ▶ Dra alltid ur elkontakten före skötsel- och underhållsarbete.

Skötsel

- Ta försiktigt bort smuts som fastnat på verktyget.
- Rengör ventilationsspringorna försiktigt med en torr borste.
- Rengör höljet med en lätt fuktad trasa. Använd inte rengöringsmedel med silikon, eftersom det kan skada plastdelarna.

Underhåll

VARNING

Risk för elstöt! Felaktigt utförda reparationer på elektriska delar kan leda till svåra skador och brännskador.

- ▶ Reparationer på de elektriska delarna får endast utföras av behörig fackman.
- Kontrollera regelbundet att inga synliga delar har skadats och att alla reglage fungerar som de ska.
- Använd inte produkten om den uppvisar skador eller funktionsstörningar. Skicka den direkt till **Hilti Service** för reparation.
- Efter att skötsel- och underhållsarbete utförts ska alla skyddsanordningar alltid monteras och kontrolleras.



Använd endast originalreservdelar och förbrukningsmaterial för säker drift. Godkända reservdelar, förbrukningsmaterial och tillbehör till din produkt från oss hittar du i närmaste **Hilti Store** eller på: www.hilti.group.

6.1 Rengöring av dammskyddskåpan

- ▶ Rengör regelbundet dammskyddet på chucken med en ren, torr torkduk.
- ▶ Torka försiktigt läpptätningen ren och fetta på nytt in den lätt med **Hilti-fett**.
- ▶ Byt ut dammskyddet om läpptätningen har skadats.

7 Transport och förvaring

- Transportera inte elverktyget med monterat insatsverktyg.
- Förvara alltid elverktyget med nätsladden urdragen.
- Förvara verktyget torrt och utom räckhåll för barn och obehöriga personer.
- Kontrollera alltid att elverktyget inte uppvisar några skador innan du använder det första gången efter en längre tids transport eller förvaring.

8 Felsökning

Kontakta **Hilti Service** om det uppstår ett fel som inte finns med i den här tabellen eller som du inte lyckas åtgärda på egen hand.

8.1 Felsökning

Fel	Möjlig orsak	Lösning
Produkten startar inte.	Strömförsörjningen är bruten.	▶ Koppla in ett annat elverktyg och se om det fungerar.
	Generatorm i viloläge.	▶ Belasta generatorm med ett andra belastningsobjekt (t.ex. en bygglampa). Stäng av produkten och sätt sedan på den igen.
	Den elektroniska startspärren efter strömavbrott har aktiverats.	▶ Stäng av produkten och slå sedan på den igen.



Fel	Möjlig orsak	Lösning
Produkten startar inte.	Nätkabel med stickkontakt är inte riktigt ansluten.	► Anslut nätkabeln med stickkontakt på rätt sätt.
	Kolborstarna är slitna.	► Kontrolleras av behörig och byts vid behov.
Inget slag.	Produkten är för kall.	► Placera produkten på underlaget och låt den gå på tomgång. Upprepa detta om så krävs, tills slagmekanismen kommer igång.
Produkten har inte full effekt.	Förlängningskabeln är alltför lång och/eller har alltför liten area.	► Använd en förlängningskabel med tillåten längd och med tillräcklig area.
	Strömbrytaren är inte helt intryckt.	► Tryck in strömbrytaren till anslaget.
	Strömkällan har för låg spänning.	► Anslut produkten till en annan strömförsörjning.
	Knappen för halv effekt har tryckts in.	► Tryck på knappen för halv effekt.
Borren roterar inte.	Funktionsväljaren står inte fullt ut i sitt läge eller så står den i läget "mejsling" T eller "mejselpositionering" -∅ .	► Ställ funktionsväljaren i läget "Hammarborring" när verktyget är avstängt ∅T .
Det går inte att ta ut borren ur chucken.	Chucken har inte skjutits tillbaka helt.	► Dra tillbaka chuckhylsan så långt det går och ta ut insatsverktyget.
	Sidohandtaget är ej korrekt monterat.	► Lossa sidohandtaget och montera det på korrekt sätt så att spännbandet och sidohandtaget hakar i fördjupningen.
Produkten stängs av om borren fastnar.	Den elektroniska skyddsanordningen aktiveras för att undvika ytterligare fastklämning.	► Lossa borren.
Serviceindikatorn blinkar.	Skador på produkten.	► Låt Hilti -service reparera produkten.
Serviceindikatorn lyser.	Kolborstarna är slitna.	► Kontrolleras av behörig och byts vid behov.

9 Avfallshantering

Hilti-verktyg är till stor del tillverkade av återvinningsbara material. En förutsättning för återvinning är att materialen separeras på rätt sätt. I många länder kan du lämna in ditt uttjänta verktyg så att **Hilti** tar hand om det. Hör efter med **Hilti**s kundtjänst eller din kontaktperson.



- Kasta inte elverktyg, elektronisk apparatur och batterier i hushållssoporna.

10 RoHS (föreskrifter för begränsning av användningen av farliga ämnen)

Använd den här länken för att komma till tabellen över farliga ämnen: qr.hilti.com/r6851673.
En länk till RoHS-tabellen hittar du i slutet på det här dokumentet i form av en QR-kod.

11 Tillverkargaranti

- Vänd dig till din lokala **Hilti**-representant om du har frågor om garantivillkoren.



Original bruksanvisning

1 Informasjon om dokumentasjonen

1.1 Om denne dokumentasjonen

- Les denne dokumentasjonen før du tar produktet i bruk. Dette er en forutsetning for sikkerhet under arbeidet og problemfri bruk.
- Følg sikkerhetshenvisningene og advarslene i denne dokumentasjonen og på produktet.
- Oppbevar alltid bruksanvisningen på produktet, og lever bruksanvisningen fra deg sammen med produktet hvis det overtas av andre personer.

1.2 Symbolforklaring

1.2.1 Farehenvisninger

Farehenvisninger advarer mot farer under håndtering av produktet. Følgende signalord brukes:



FARE

FARE !

- ▶ For en umiddelbart truende fare som kan føre til alvorlige personskader eller død.



ADVARSEL

ADVARSEL !

- ▶ Varsler en mulig fare som kan føre til alvorlige personskader eller død.



FORSIKTIG

FORSIKTIG !

- ▶ Varsler om en mulig farlig situasjon som kan føre til personskade eller materiell skade.

1.2.2 Symboler i dokumentasjonen

Følgende symboler brukes i denne dokumentasjonen:

	Les bruksanvisningen før bruk
	Anvisninger om bruk og annen nyttig informasjon
	Håndtering av resirkulerbare materialer
	Ikke kast elektriske apparater eller batterier i husholdningsavfallet

1.2.3 Symboler i illustrasjoner

Følgende symboler brukes i illustrasjonene:

	Disse tallene henviser til illustrasjonen foran i denne bruksanvisningen
3	Nummereringen angir rekkefølgen for arbeidstrinnene på bildet og kan avvike fra arbeidstrinnene i teksten
	Posisjonsnumrene brukes i illustrasjonen Oversikt og henviser til numrene på teksten i avsnittet Produktoversikt
	Dette symbolet betyr at håndtering av produktet krever stor grad av oppmerksomhet.
	Bruk vernehansker under arbeid på maskinen.



1.3 Produktavhengige symboler

1.3.1 Symboler på produktet

Følgende symboler kan brukes på produktet:

V	Volt
A	Ampere
Hz	Hertz
/min	Omdreininger per minutt
RPM	Omdreininger per minutt
∅	Diameter
~	Vekselstrøm
	Beskyttelsesklasse II (dobbeltisolert)
	Produktet støtter trådløs dataoverføring som er kompatibel med iOS- og Android-plattformer.

1.4 Produktinformasjon

HILTI-produkter er laget for profesjonell bruk og må kun brukes, vedlikeholdes og repareres av kyndig personale. Dette personalet må informeres om eventuelle farer som kan oppstå. Produktet og tilleggsutstyret kan utgjøre en fare hvis det betjenes av ukvalifisert personale eller det benyttes feil.

Typebetegnelse og serienummer står på typeskiltet.

- ▶ Skriv inn serienummeret i tabellen nedenfor. Du trenger produktspesifikasjonene ved henvendelser til Hiltis representant eller servicesenter.

Produktspesifikasjoner

Kombihammer	TE 70-ATC/AVR
Generasjon	04
Serienummer	

1.5 Samsvarserklæring

Vi erklærer herved at produktet som er beskrevet her, er i samsvar med gjeldende normer og direktiver. Du finner et bilde av samsvarserklæringen på slutten av denne dokumentasjonen.

Den tekniske dokumentasjonen er lagret her:

Hilti Entwicklungsgesellschaft mbH | Zulassung Geräte | Hiltistraße 6 | 86916 Kaufering, DE

2 Sikkerhet

2.1 Generelle sikkerhetsregler for elektroverktøy

⚠ ADVARSEL Les alle sikkerhetsanvisninger, instruksjer, illustrasjoner og tekniske data som elektroverktøyet er utstyrt med. Manglende overholdelse av anvisningene nedenfor kan medføre elektrisk støt, brann og/eller alvorlige personskader.

Overhold alle sikkerhetsanvisninger og instruksjoner i hele bruksperioden.

Begrepet "elektroverktøy" som er brukt i sikkerhetsanvisningene, viser til nettdrevne elektroverktøy (med nettkabel) eller til batteridrevne elektroverktøy (uten nettkabel).

Sikkerhet på arbeidsplassen

- ▶ **Hold arbeidsområdet rent og godt opplyst.** Rotete eller dårlig belyste arbeidsområder kan føre til ulykker.
- ▶ **Bruk ikke elektroverktøyet i eksplosjonsfarlige omgivelser hvor det befinner seg brennbare flytende stoffer, gasser eller støv.** Elektroverktøy lager gnister som kan antenne støv eller damp.



- ▶ **Hold barn og andre personer på sikker avstand mens elektroverktøyet brukes.** Hvis du blir forstyrret under arbeidet, kan du miste kontrollen over verktøyet.

Elektrisk sikkerhet

- ▶ **Elektroverktøyets støpsel må passe i stikkkontakten. Støpselet må ikke forandres på noen som helst måte. Bruk ikke adapterkontakt på jordete elektroverktøy.** Uendrede støpsler og egnede stikkontakter minsker risikoen for elektrisk støt.
- ▶ **Unngå kroppskontakt med jordete overflater som rør, radiatorer, komfyrer eller kjøleskap.** Risikoen for elektriske støt er høyere når kroppen er jordet.
- ▶ **Hold elektroverktøyet unna regn og fuktighet.** Risikoen for elektrisk støt øker ved inntrenging av vann i et elektroverktøy.
- ▶ **Bruk ikke ledningen til å bære elektroverktøyet, henge det opp eller til å dra støpselet ut av stikkkontakten. Hold ledningen unna varme, olje, skarpe kanter og deler som beveger seg.** Skadde eller sammenviklede ledninger øker risikoen for elektriske støt.
- ▶ **Bruk kun skjøteledninger som også er godkjent for utendørs bruk når du arbeider med et elektroverktøy utendørs.** Bruk av skjøteledning som er egnet til utendørs bruk, minsker risikoen for elektrisk støt.
- ▶ **Må elektroverktøyet brukes i fuktige omgivelser, er det nødvendig å bruke en jordfeilbryter.** Bruk av en jordfeilbryter reduserer risikoen for elektrisk støt.

Personsikkerhet

- ▶ **Vær oppmerksom, pass på hva du gjør, og gå fornuftig fram under arbeidet med et elektroverktøy. Ikke bruk elektroverktøy når du er trøtt eller påvirket av narkotika, alkohol eller medikamenter.** Et øyeblikks uoppmerksomhet ved bruk av elektroverktøyet kan være nok til å forårsake alvorlige personskader.
- ▶ **Bruk alltid personlig verneutstyr og vernebriller.** Bruk av personlig verneutstyr som støvmaske, sklisikre vernesko, hjelm eller hørselsvern – avhengig av type og bruk av elektroverktøyet – reduserer risikoen for skader.
- ▶ **Unngå utilsiktet start. Forsikre deg om at elektroverktøyet er slått av før du setter i stikkkontakten eller batteriet og før du løfter eller flytter elektroverktøyet.** Hvis du holder fingeren på bryteren når du bærer elektroverktøyet, eller kobler elektroverktøyet til strøm i innkoblet tilstand, kan dette føre til uhell.
- ▶ **Fjern justeringsverktøy og skrunøkkel før du slår på elektroverktøyet.** Et verktøy eller en nøkkel som befinner seg i en roterende maskindel, kan føre til skader.
- ▶ **Unngå uhensiktsmessige arbeidsposisjoner. Sørg for å stå stødig og i balanse.** Dermed kan du kontrollere elektroverktøyet bedre i uventede situasjoner.
- ▶ **Bruk egnede klær. Ikke bruk vide klær eller smykker. Hold hår, tøy og hansker unna deler som beveger seg.** Løstsittende tøy, smykker eller langt hår kan komme inn i deler som beveger seg.
- ▶ **Hvis det er montert støvavsugs- og oppsamlingsinnretninger, må det kontrolleres at disse er koblet til og blir brukt på riktig måte.** Bruk av støvavsug kan redusere faremomentene i forbindelse med støv.
- ▶ **Ikke føl deg for trygg og ikke bryt sikkerhetsreglene for elektroverktøy, heller ikke når du etter lang tids bruk er blitt fortrolig med elektroverktøyet.** Et øyeblikks uaktsomhet kan føre til alvorlige personskader.

Bruk og behandling av elektroverktøyet

- ▶ **Ikke overbelast verktøyet. Bruk et elektroverktøy som er beregnet til den type arbeid du vil utføre.** Med et passende elektroverktøy arbeider du bedre og sikrere i det angitte effektområdet.
- ▶ **Ikke bruk elektroverktøy med defekt bryter.** Et elektroverktøy som ikke lenger kan slås av eller på, er farlig og må repareres.
- ▶ **Dra ut støpselet fra stikkkontakten og/eller ta ut et uttakbart batteri før du foretar maskininnstillinger, bytter tilleggsutstyr eller legger bort verktøyet.** Disse tiltakene forhindrer utilsiktet start av elektroverktøyet.
- ▶ **Oppbevar elektroverktøy som ikke brukes, utenfor barns rekkevidde. La ikke personer som ikke er fortrolige med verktøyet eller ikke har lest disse instruksjonene, bruke verktøyet.** Elektroverktøy er farlige når de brukes av uerfarne personer.
- ▶ **Sørg for grundig stell og vedlikehold av elektroverktøyet med tilbehør. Kontroller at bevegelige deler på elektroverktøyet fungerer feilfritt og ikke klemmes fast, og at ingen deler er brukt eller skadet, slik at dette innvirker på elektroverktøyets funksjon. La skadde deler repareres før elektroverktøyet brukes.** Mange ulykker er et resultat av dårlig vedlikeholdte elektroverktøy.
- ▶ **Hold skjæreverktøy skarpe og rene.** Godt vedlikeholdte skjæreverktøy med skarpe skjærekanten blir sjeldnere fastklemt og er lettere å styre.



- ▶ **Bruk elektroverktøy, tilbehør, arbeidsverktøy osv. i overensstemmelse med denne anvisningen.** Ta hensyn til arbeidsforholdene og arbeidet som skal utføres. Bruk av elektroverktøy til andre formål enn det som er angitt, kan føre til farlige situasjoner.
- ▶ **Hold håndtak og gripeflater tørre, rene og frie for olje og fett.** Glatte håndtak og gripeflater gir ikke sikker betjening og kontroll av elektroverktøyet i uforutsette situasjoner.

Service

- ▶ **Elektroverktøyet må kun repareres av kvalifisert fagpersonale og kun med originale reservedeler.** Slik opprettholdes elektroverktøyet sikkerhet.

2.2 Sikkerhetsanvisninger for borhammere

Sikkerhetsanvisninger for alt arbeid

- ▶ **Bruk hørselsvern.** Påvirkning av støy kan føre til hørselstap.
- ▶ **Bruk håndtakene som leveres med maskinen.** Tap av kontroll kan føre til personskader.
- ▶ **Støtt elektroverktøyet godt opp før bruk.** Dette elektroverktøyet utvikler et høyt dreiemoment. Hvis elektroverktøyet ikke støttes trygt opp under bruk, er det fare for tap av kontroll og personskader.
- ▶ **Hold maskinen i de isolerte håndtaksflatene når du utfører arbeid der verktøybits kan komme i kontakt med skjulte strømledninger.** Kontakt med en spenningsførende ledning kan også sette maskinens metalldele under spenning og føre til elektrisk støt.

Sikkerhetsanvisninger ved bruk av lange bor

- ▶ **Begynn alltid å bore med lavt turtall og mens boret er i kontakt med arbeidsemnet.** Ved høyere turtall kan boret lett bøyes når det kan rotere fritt uten kontakt med arbeidsemnet, og dette kan føre til personskader.
- ▶ **Ikke trykk for hardt på boret, og trykk bare i lengderetningen i forhold til boret.** Bor kan bøyes og dermed brette eller føre til tap av kontroll og personskader.

2.3 Ekstra sikkerhetsanvisninger for borhammer

Personsikkerhet

- ▶ Bruk produktet bare i teknisk feilfri stand.
- ▶ Ikke foreta modifiseringer eller endringer på maskinen.
- ▶ Bruk håndtakene som leveres med maskinen. Tap av kontroll kan føre til skader.
- ▶ Ved gjennombrudsarbeider må området på den andre siden sikres. Deler som brytes ut, kan falle ut og/eller ned og skade andre personer.
- ▶ Hold alltid maskinen fast med begge hendene i de to håndtakene. Hold håndtakene tørre og rene.
- ▶ Hold maskinen i de isolerte håndtakene når du utfører arbeid der verktøyet kan komme i kontakt med elektriske ledninger. Kontakt med en spenningsførende ledning kan også sette maskinens metalldele under spenning og føre til elektrisk støt.
- ▶ Unngå å berøre de roterende delene. Fare for personskader!
- ▶ Ved bruk av maskinen skal det alltid brukes egnede vernebriller, vernehjelm, hørselsvern, vernehansker og en lett ansiktsmaske.
- ▶ Bruk vernehansker også ved skifte av verktøy. Berøring av innsatsverktøyet kan føre til kuttskader og forbrenninger.
- ▶ Bruk øyevern. Splintret materiale kan skade kroppen og øynene.
- ▶ Før arbeidet påbegynnes, må du bringe på det rene hvilken fareklasse støvmaterialet som oppstår, tilhører. Bruk en anleggsstøvsuger med offisiell beskyttelsesklassifisering sammen med maskinen. Maskinen må oppfylle lokale støvbeskyttelseskrav. Støv fra materialer som blyholdig maling, enkelte tresorter, betong/mur/stein som inneholder kvarts, mineraler og metaller kan være helseskadelig.
- ▶ Sørg for god ventilasjon på arbeidsplassen, og bruk eventuelt åndedrettsvern tilpasset den aktuelle typen støv. Berøring eller innånding av slike typer støv kan fremkalle allergiske reaksjoner og/eller luftveissykdommer hos brukeren og andre personer som oppholder seg i nærheten. Bestemte typer støv som eikestøv eller bøkstøv regnes som kreftfremkallende, særlig i forbindelse med stoffer for trebehandling (kromat, trepleiemidler). Asbestholdige materialer skal kun håndteres av kvalifisert personell.
- ▶ Ta pauser i arbeidet og gjør øvelser for å sikre bedre blodsirkulasjon i fingrene. Ved langvarig arbeid kan det oppstå skader på blodkar eller nervesystemet i fingrer, hender eller håndledd.

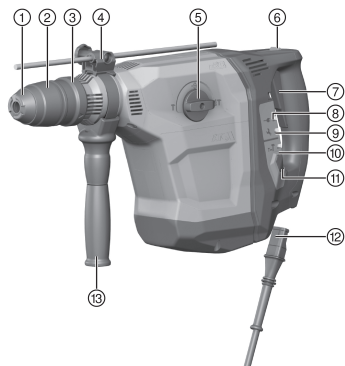
Elektrisk sikkerhet

- ▶ Kontroller før arbeidet påbegynnes at det ikke finnes skjulte strømledninger, gass- eller vannrør i arbeidsområdet. Utvendige metalldele på maskinen kan forårsake elektrisk støt hvis du utilsiktet skulle skade en strømlledning.



Forsiktig behandling og bruk av elektroverktøy

- ▶ Slå elektroverktøyet av straks hvis verktøyet setter seg fast. Maskinen kan gli ut til siden.
- ▶ Vent til elektroverktøyet har stanset helt før du legger det fra deg.

3 Beskrivelse**3.1 Produktoversikt **

- ① Støvkappe
- ② Chuck
- ③ Verktøyutløser
- ④ Dybdeanlegg (tilbehør)
- ⑤ Funksjonsvelger
- ⑥ Meisellås
- ⑦ Kontrollbryter
- ⑧ Funksjonssignal
- ⑨ Serviceindikator
- ⑩ Indikator for halv ytelse
- ⑪ Bryter for halv ytelse
- ⑫ Ledning med kodet, avtakbar strømplugg
- ⑬ Sidehåndtak

3.2 Forskriftsmessig bruk

Det beskrevne produktet er en elektrisk drevet kombihammer med pneumatisk slagverk. Den er beregnet for boring i betong, mur, tre og metall. Produktet er også egnet til lett til middels meisling i mur og etterarbeid i betong.

- ▶ Bruk maskinen kun når den er knyttet til hovedledning med en spenning og frekvens som er i overensstemmelse med informasjonen på typeskiltet.

3.3 Boltanker

Produktet er egnet for festing av boltankere. Bruk kun egnet monteringsverktøy!
Utførlig informasjon om dette får du på nærmeste **Hilti**-senter.

3.4 Mulig feilbruk

- Dette produktet er ikke beregnet til arbeid med helsefarlige materialer.
- Dette produktet er ikke beregnet til arbeid i fuktige omgivelser.

3.5 Active Vibration Reduction

Produktet er utstyrt med et Active Vibration Reduction (AVR)-system som reduserer vibrasjonen merkbart.



3.6 ATC

Produktet er utstyrt med den elektroniske hurtigutkoblingen ATC (Active Torque Control).

Hvis innsatsverktøyet blokkeres eller klemmes fast, begynner produktet plutselig å rotere ukontrollert i den motsatte retningen. ATC registrerer denne plutselige rotasjonsbevegelsen til produktet og slår produktet av umiddelbart.



For riktig funksjon må produktet kunne rotere.

Slå produktet av og på igjen etter hurtigutkoblingen.

3.7 Serviceindikator

Produktet er utstyrt med en serviceindikator med lyssignal.

3.7.1 Tilstand serviceindikator

Tilstand	Betydning
Serviceindikatoren lyser.	Maskinens driftstid før en service er nådd.
Serviceindikatoren blinker.	Få kombihammeren reparert av Hilti service .

3.8 Dette følger med:

kombihammer, sidehåndtak, bruksanvisning.

I tillegg finner du tillatte systemprodukter til produktet hos nærmeste **Hilti Store** eller under: www.hilti.group

4 Tekniske data

4.1 Kombihammer



Merkespenning, merkestrøm, frekvens og nominell inngangseffekt står på typeskiltet for ditt land.

Ved drift med generator eller transformator må generatorens eller transformatorens utgangseffekt være minst dobbelt så stor som den nominelle inngangseffekten som er oppgitt på maskinens typeskilt. Driftsspenningen for transformatoren eller generatoren må alltid ligge innenfor +5 % og -15 % av merkespenningen for maskinen.

Vekt i henhold til EPTA-prosedyre 01	10 kg
--------------------------------------	-------

4.2 Støyinformasjon og vibrasjonsverdier iht. EN 60745

Lydtrykk- og vibrasjonsverdiene som er angitt i denne bruksanvisningen, er målt i samsvar med en normert målemetode og kan brukes til sammenligning av elektroverktøy. De egner seg også til en foreløpig vurdering av eksponeringene. De angitte dataene representerer de viktigste bruksområdene for elektroverktøyet. Men hvis elektroverktøyet brukes til andre formål, med avvikende innsatsverktøy eller med utilstrekkelig vedlikehold, kan dataene avvike. Dette kan øke eksponeringene betraktelig gjennom hele arbeidsperioden. For å få en nøyaktig vurdering av eksponeringene må man også ta hensyn til tidsrommene da maskinen er slått av eller er i gang, men ikke i drift. Dette kan redusere eksponeringene betraktelig gjennom hele arbeidsperioden. Fastsett ekstra sikkerhetstiltak for å beskytte operatøren mot effekten av støy og/eller vibrasjoner, for eksempel: Vedlikehold av elektroverktøy og innsatsverktøy, holde hendene varme, organisering av arbeidsprosesser.

Støyutslippsverdier

Lydeffektnivå (L_{WA})	111 dB(A)
Usikkerhet lydeffektnivå (K_{WA})	3 dB(A)
Avgitt lydtrykk (L_{pA})	100 dB(A)
Usikkerhet lydtrykknivå (K_{pA})	3 dB(A)



Totale vibrasjonsverdier

Vibrasjonsutslippsverdi ved hammerboring i betong ($a_{h,HD}$)	8,3 m/s ²
Vibrasjonsutslippsverdi ved meisling ($a_{h,Chcq}$)	8 m/s ²
Usikkerhet (K)	1,5 m/s ²

5 Betjening**5.1 Klargjøring til arbeidet** **FORSIKTIG**

Fare for personskader! Utilsiktet start av produktet.

- ▶ Trekk støpselet ut av stikkkontakten før du foretar maskininnstillinger eller skifter tilbehørsdeler.

Følg sikkerhetshenvisningene og advarslene i denne dokumentasjonen og på produktet.

5.1.1 Koble til avtakbar ledning **FORSIKTIG**

Fare for personskader på grunn av krypestrøm på skitne kontakter.

- ▶ Den avtakbare pluggkontakten må være ren, tørr og spenningsfri når den skal kobles til elektroverktøyet.

1. Skyv den merkede, avtagbare strømpluggen helt inn i produktet til den smekker hørbart på plass.
2. Sett støpslet inn i stikkkontakten.

5.1.2 Koble den avtakbare strømpluggen fra elektroverktøyet

1. Trekk støpslet ut av stikkkontakten.
2. Trykk på låseknappen, og trekk ut den kodete, avtakbare strømpluggen.
3. Trekk ledningen ut av maskinen.

5.1.3 Montere sidehåndtak  **FORSIKTIG**

Fare for personskader Tap av kontroll over kombihammeren.

- ▶ Kontroller at sidehåndtaket er riktig montert og forskriftsmessig festet. Kontroller at klemmen ligger i sporet på maskinen beregnet for dette.

1. Vri på håndtaket for å løsne holderen (klemmen) på sidehåndtaket.
2. Skyv holderen (klemmen) forfra over chocken til kilesporet som er beregnet til dette.
3. Plasser sidehåndtaket i ønsket stilling.
4. Vri på håndtaket for å stramme holderen (klemmen) på sidehåndtaket.

5.1.4 Montere dybdeanlegg (ekstraustyr) 

1. Vri på håndtaket for å løsne holderen (klemmen) på sidehåndtaket.
2. Skyv dybdeanlegget forfra inn i de to føringshullene som er beregnet for dette.
3. Vri på håndtaket for å stramme holderen (klemmen) på sidehåndtaket.

5.1.5 Kontrollbryterlås

I meiseldrift kan man sperre kontrollbryteren mens den er aktivert.

- ▶ Trykk på kontrollbryterlåsen.

5.1.6 Sette i verktøy 

Bruk av uegnet fett kan føre til skade på produktet. **Bruk bare originalfett fra Hilti.**



1. Smør innstikkenden til innsatsverktøyet med litt fett.
 - ▶ Bruk bare originalfett fra **Hilti**. Feil fett kan forårsake skade på produktet.
2. Sett innsatsverktøyet helt inn i chocken slik at det klikker på plass.
3. Trekk i verktøyet etter at du har satt det i, for å forsikre deg om at det er godt festet.
 - ▶ Produktet er klart til bruk.

5.1.7 Ta ut verktøyet

- ▶ Trekk verktøylåsen tilbake til anslag og ta ut innsatsverktøyet.



Bruk bare originalfett fra **Hilti**. Bruk av uegnet fett kan føre til skade på produktet.

5.1.8 Stille inn ytelsen



Meiselytelsen kan bare stilles inn når den er i innkoblet driftstilstand.

For å stille inn halv ytelse trykker du på knappen "Halv ytelse". Den reduserte ytelsen vises ved at ytelsesindikatoren lyser. Trykker man en gang til på knappen "Halv ytelse", skrus maskinen over til full ytelse, og ytelsesindikatoren slukner.

Full ytelse vil også være tilgjengelig hvis produktet slås av og på igjen.

- ▶ Still inn ytelsen.

5.2 Arbeid



ADVARSEL

Fare for elektrisk støt! Manglende jordingsleder og jordfeilbryter kan føre til alvorlige personskader og forbrenninger.

- ▶ Kontroller at strømtilførselen på byggeplassen, enten den kommer fra strømmettet eller fra en generator, alltid er utstyrt med jordingsledere og jordfeilbrytere og at disse er tilkoblet.
- ▶ Ikke ta noe produkt i bruk uten disse sikkerhetstiltakene.



ADVARSEL

Fare på grunn av skadd ledning! Hvis nettkabelen eller skjøteledningen blir skadet under arbeidet, må du straks koble maskinen og ledningene fra strømmettet. Ikke berør det defekte punktet!

- ▶ Kontroller alle ledninger regelmessig. Skift ut defekte skjøteledninger.

Få byggeledelsen til å godkjenne det fulle omfanget av arbeidene.

5.2.1 Boring uten slag



Boring uten slag er bare mulig med verktøy med en spesiell tange. Slike verktøy finnes i **Hilti** verktøysortiment.

Med hurtigchucken kan for eksempel trebor eller stålbor med sylindrisk tange festes til verktøyet, og det kan bores uten slag.

- ▶ Sett funksjonsvelgeren i denne stillingen

5.2.2 Boring med slag (hammerboring)

- ▶ Sett funksjonsvelgeren i denne stillingen

5.2.3 Plassere meiselen



FORSIKTIG

Fare for personskader! Tap av kontroll over meiselretningen.

- ▶ Ikke arbeid i posisjonen "Plassere meiselen". Sett funksjonsvelgeren i stillingen "Meisling" til den går i lås.



i Meiselen kan sperres i 24 ulike posisjoner (i trinn på 15°). Derfor kan man alltid finne den optimale arbeidsstillingen når man jobber med flat- og formmeisel.

- ▶ Sett funksjonsvelgeren i denne stillingen →.

5.2.4 Meisling

- ▶ Sett funksjonsvelgeren i denne stillingen T.

6 Service og vedlikehold

ADVARSEL

Fare for elektrisk støt! Stell og vedlikehold med isatt nettstøpsel kan føre til alvorlige personskader og forbrenninger.

- ▶ Før alt stell og vedlikeholdsarbeid må nettstøpslet trekkes ut!

Pleie

- Fjern gjenstridig smuss forsiktig.
- Bruk en tørr børste for å gjøre rent ventilasjonsåpningene forsiktig.
- Rengjør huset bare med en lett fuktet klut. Ikke bruk silikonholdige pleiemiddel, da dette kan angripe plastdelene.

Vedlikehold

ADVARSEL

Fare for elektrisk støt! Ufagmessige reparasjoner på elektriske komponenter kan føre til alvorlig personskade og forbrenninger.

- ▶ Elektriske deler på maskinen må kun repareres av fagfolk.
- Kontroller alle synlige deler regelmessig mht. skade og alle betjeningselementene mht. feilfri funksjon.
- Ved skader og/eller funksjonsfeil må produktet ikke brukes. Få maskinen reparert av **Hilti** service snarest mulig.
- Etter stell- og vedlikeholdsarbeid må alle beskyttelsesinnretninger monteres, og det må foretas funksjonskontroll av dem.

i Av hensyn til sikkerheten må du bare bruke originale reservedeler og forbruksmaterialer. Reservedeler, forbruksmaterialer og tilbehør til produktet, som er godkjent av oss, finner du hos **Hilti Store** eller under: www.hilti.group.

6.1 Rengjøring av støvbeskyttelseskappen

- ▶ Rengjør støvbeskyttelseskappen på chucken med en ren, tørr klut.
- ▶ Tørk pakningen forsiktig ren og smør den inn med litt **Hilti**-smørefett.
- ▶ Støvbeskyttelseskappen må alltid byttes hvis pakningen er skadet.

7 Transport og lagring

- Elektroverktøyet må ikke transporteres med isatt verktøy.
- Oppbevar alltid elektroverktøy med uttrukket nettstøpsel.
- Oppbevar maskinen tørt og utenfor barns og uvedkommendes rekkevidde.
- Etter lang transport eller lengre tids oppbevaring må elektroverktøyet kontrolleres mht. skade før bruk.

8 Feilsøking

Ved feil som ikke står i denne tabellen eller som du selv ikke kan rette opp, må du kontakte **Hilti Service**.



8.1 Feilsøking

Feil	Mulig årsak	Løsning
Produktet starter ikke.	Spenningstilførselen er brutt.	► Sett på et annet elektroverktøy og kontroller funksjonen.
	Generator i Sleep Mode.	► Belast generatoren med en andre forbruker (f.eks. bygg-lampe). Slå deretter produktet av og på igjen.
	Den elektroniske startsperreren er aktivert etter et strømbrudd.	► Slå produktet av og på igjen.
	Den avtagbare nettkabelen ikke riktig satt i.	► Koble den avtagbare nettkabelen riktig til elektroverktøyet.
	Slitte kullbørster.	► La en autorisert elektriker kontrollere dette og eventuelt foreta utskifting.
Slageeffekt uteblir.	Produkt for kaldt.	► Sett produktet på underlaget og la det gå på tomgang. Gjenta hvis nødvendig til slagverket arbeider.
Produktet yter ikke maksimalt.	Skjøteledning for lang og/eller med for lite tverrsnitt.	► Skjøteledning med tillatt lengde og/eller med tilstrekkelig tverrsnitt.
	Kontrollbryteren er ikke trykt helt inn.	► Trykk kontrollbryteren helt inn.
	Strømtilførsel har for lav spenning.	► Koble produktet til en annen strømtilførsel.
	Knappen for halv ytelse er slått på.	► Trykk på knappen "Halv ytelse".
Boret går ikke rundt.	Funksjonsvelgeren står ikke i stilling eller er i stillingen "Meisling" T eller i stillingen "Plassere meiselen" \rightarrow .	► Sett funksjonsvelgeren i stillingen "Hammerboring". ⚡
Boret løsner ikke fra chucken.	Chucken er ikke trukket helt tilbake.	► Trekk verktøysperren tilbake så langt det går, og ta ut verktøyet.
	Sidehåndtak ikke riktig montert.	► Løsne sidehåndtaket og monter det riktig, slik at klemme og sidehåndtak smekker på plass i fordypningen.
Produktet slår seg av hvis boret sitter fast.	Det elektroniske vernet er aktivert, for å unngå videre fastklemming.	► Løsne boret.
Serviceindikatoren blinker.	Skader på produktet.	► Få produktet reparert av Hilti service.
Serviceindikatoren lyser.	Slitte kullbørster.	► La en autorisert elektriker kontrollere dette og eventuelt foreta utskifting.

9 Avhending

Hilti maskiner er i stor grad laget av resirkulerbart materiale. En forskriftsmessig materialsortering er en forutsetning for resirkulering. I mange land tar **Hilti** din gamle maskin i retur. Spør **Hilti** kundeservice eller forhandleren din.



- Kast aldri elektroverktøy, elektronisk utstyr eller batterier i husholdningsavfallet!



10 RoHS (direktiv for begrensning av bruk av farlige stoffer)

Under følgende lenke finner du tabellen over farlige stoffer: qr.hilti.com/r6851673.

Du finner en lenke til RoHS-tabellen helt til slutt i denne dokumentasjonen som QR-kode.

11 Produsentgaranti

- ▶ Når det gjelder spørsmål om garantibetingelser, ber vi deg kontakte din lokale **Hilti**-partner.

Alkuperäiset ohjeet

1 Dokumentaation tiedot

1.1 Tästä dokumentaatiosta

- Lue ehdottomasti tämä dokumentaatio ennen tuotteen käyttöönottoa. Se on turvallisen työn teon ja tuotteen ongelmattoman käsittelyn perusedellytys.
- Noudata tässä dokumentaatiossa ja tuotteessa olevia turvallisuus- ja varoitushuomautuksia.
- Säilytä käyttöohje aina tuotteen yhteydessä ja varmista, että käyttöohje on mukana, kun luovutat tuotteen toiselle henkilölle.

1.2 Merkkien selitykset

1.2.1 Varoitushuomautukset

Varoitushuomautukset varoittavat tuotteen käyttöön liittyvistä vaaroista. Seuraavia varoitustekstejä käytetään:

VAKAVA VAARA

VAKAVA VAARA !

- ▶ Varoittaa uhmaavasta vaaratilanteesta, josta voi seurauksena olla vakava loukkaantuminen tai jopa kuolema.

VAARA

VAARA !

- ▶ Varoittaa mahdollisesta vaarasta, josta voi seurauksena olla vakava loukkaantuminen tai kuolema.





VAROITUS

HUOMIO !

- ▶ Varoittaa mahdollisesta vaaratilanteesta, josta voi seurata loukkaantuminen tai aineellinen vahinko.

1.2.2 Symbolit dokumentaatiossa

Tässä dokumentaatiossa käytetään seuraavia symboleita:

	Lue käyttöohje ennen käyttämistä
	Toimintaohjeita ja muita hyödyllistä tietoa
	Kierrätyskelpoisten materiaalien käsittely
	Älä hävitä sähkölaitteita ja akkuja tavallisen sekajätteen mukana

1.2.3 Symbolit kuvissa

Kuvissa käytetään seuraavia symboleita:

- 2** Nämä numerot viittaavat vastaavaan kuvaan tämän käyttöohjeen alussa



3	Numerointi kertoo työvaiheiden järjestyksen kuvissa ja saattaa poiketa numeroinnista tekstissä
	Kohtanumeroita käytetään kuvassa Yleiskuva , ja ne viittaavat kuvatekstien numerointiin kappaleessa Tuoteyhteenveto
	Tämän merkin tarkoitus on kiinnittää erityinen huomiosi tuotteen käyttöön ja käsittelyyn.
	Käytä suojakäsineitä, kun teet työtä koneella.

1.3 Tuotekohtaiset symbolit

1.3.1 Symbolit tuotteessa

Tuotteessa voidaan käyttää seuraavia symboleita:

V	Volttia
A	Ampeeria
Hz	Hertsi
/min	Kierrosta minuutissa
RPM	Kierrosta minuutissa
∅	Halkaisija
	Vaihtovirta
	Suojausluokka II (kaksinkertainen eristys)
	Tuote tukee langatonta tiedonsiirtoa, joka on yhteensopiva iOS- ja Android-alustojen kanssa.

1.4 Tuotetiedot

HILTI -tuotteet on tarkoitettu ammattikäyttöön, ja niitä saa käyttää, huoltaa tai korjata vain valtuutettu, koulutettu henkilö. Käyttäjän pitää olla hyvin perillä käyttöön liittyvistä vaaroista. Tuote ja sen varusteet saattavat aiheuttaa vaaratilanteita, jos kokemattomat henkilöt käyttävät tuotetta ohjeiden vastaisesti tai muutoin asiattomasti.

Tyypimerkinnän ja sarjanumeron löydät tyyppikilvestä.

- Kirjoita sarjanumero oheiseen taulukkoon. Tuotteen tiedot tarvitaan, jos esität kysymyksiä myynti- tai huoltoedustajallemme.

Tuotetiedot

Kombiporavasara	TE 70-ATC/AVR
Sukupolvi	04
Sarjanumero	

1.5 Vaatimustenmukaisuusvakuutus

Vakuutamme, että tässä kuvattu tuote täyttää voimassa olevien direktiivien ja standardien vaatimukset. Kuva vaatimustenmukaisuusvakuutuksesta on tämän dokumentaation lopussa.

Tekninen dokumentaatio löytyy tästä:

Hilti Entwicklungsgesellschaft mbH | Zulassung Geräte | Hiltistraße 6 | 86916 Kaufering, DE



2.1 Sähkötyökaluja koskevat yleiset turvallisuusohjeet

⚠ VAKAVA VAARA Lue kaikki turvallisuus- ja käyttöohjeet, selostukset ja tekniset tiedot, jotka liittyvät tähän sähkötyökaluun. Seuraavien ohjeiden noudattamatta jättäminen saattaa johtaa sähköiskuun, tulipaloon ja/tai vakavaan loukkaantumiseen.

Säilytä kaikki turvallisuus- ja käyttöohjeet huolellisesti vastaisen varalle.

Turvallisuusohjeissa käytetty käsite ”sähkötyökalu” tarkoittaa verkkokäyttöisiä sähkötyökaluja (joissa verkkojohto) ja akkukäyttöisiä sähkötyökaluja (joissa ei verkkojohtoa).

Työpaikan turvallisuus

- ▶ **Pidä työskentelyalue siistinä ja hyvin valaistuna.** Työpaikan epäjärjestys ja valaisemattomat työalueet voivat johtaa tapaturmiin.
- ▶ **Älä käytä sähkötyökalua räjähdysalttiissa ympäristössä, jossa on syttyvää nestettä, kaasua tai pölyä.** Sähkötyökalut synnyttävät kipinöitä, jotka saattavat sytyttää pölyn tai höyryä.
- ▶ **Pidä lapset ja sivulliset loitolla sähkötyökalua käyttäessäsi.** Voit menettää koneen hallinnan huomiosi suuntautuessa muualle.

Sähköturvallisuus

- ▶ **Sähkötyökalun pistokkeen pitää sopia pistorasiaan. Pistoketta ei saa muuttaa millään tavalla. Älä käytä pistorasia-adaptoreita suojamaadotettujen sähkötyökalujen yhteydessä.** Alkuperäisessä kunnossa olevat pistokkeet ja sopivat pistorasiat vähentävät sähköiskun vaaraa.
- ▶ **Vältä koskettamasta sähköä johtaviin pintoihin kuten putkiin, pattereihin, liesiin ja jääkaappeihin.** Sähköiskun vaara kasvaa, jos kehosi maadottuu.
- ▶ **Älä aseta sähkötyökalua alttiiksi sateelle tai kosteudelle.** Veden tunkeutuminen sähkötyökalun sisään lisää sähköiskun vaaraa.
- ▶ **Älä kanna tai ripusta sähkötyökalua verkkojohdostaan äläkä vedä pistoketta irti pistorasiasta johdosta vetämällä.** Pidä johto loitolla kuumuudesta, öljystä, terävistä reunoista ja liikkuvista osista. Vahingoittuneet tai toisiinsa kietoutuneet johdot lisäävät sähköiskun vaaraa.
- ▶ **Kun käytät sähkötyökalua ulkona, käytä ainoastaan ulkokäyttöön soveltuvia jatkojohtoja.** Ulkokäyttöön soveltuvan jatkojohdon käyttö pienentää sähköiskun vaaraa.
- ▶ **Jos sähkötyökalua on välttämätöntä käyttää kosteassa ympäristössä, käytä vikavirtasuojakytkintä.** Vikavirtasuojakytkimen käyttö pienentää sähköiskun vaaraa.

Henkilöturvallisuus

- ▶ **Ole valpas, kiinnitä huomiota työskentelyysi ja noudata tervettä järkeä sähkötyökalua käyttäessäsi. Älä käytä sähkötyökalua, jos olet väsynyt tai huumeiden, alkoholin tai lääkkeiden vaikutuksen alaisena.** Sähkötyökalua käytettäessä hetkellinenkin varomattomuus saattaa aiheuttaa vakavia vammoja.
- ▶ **Käytä henkilökohtaisia suojavarusteita ja aina suojalaseja.** Henkilökohtaiset suojavarusteet, kuten hengityssuojain, luistamattomat turvajalkineet, kypärä ja kuulosuojaimet, pienentävät oikein käytettyinä loukkaantumisriskiä sähkötyökalun käyttötilanteesta riippuen.
- ▶ **Varo tahatonta käynnistämistä. Varmista, että sähkötyökalu on kytketty pois päältä, ennen kuin liität sen verkkovirtaan ja/tai liität siihen akun, otat sen käteesi tai kannat sitä.** Jos kannat sähkötyökalua sormi käyttökytkimellä tai liität pistokkeen pistorasiaan käyttökytkimen ollessa käyntiasennossa, altistat itsesi onnettomuuksille.
- ▶ **Poista kaikki säätötyökalut ja ruuvitalat, ennen kuin käynnistät sähkötyökalun.** Työkalu tai avain, joka sijaitsee koneen pyöriässä osassa, saattaa johtaa loukkaantumiseen.
- ▶ **Vältä vaikeita työskentelyasentoja. Varmista aina tukeva seisoma-asento ja tasapaino.** Siten voit paremmin hallita sähkötyökalua odottamattomissa tilanteissa.
- ▶ **Käytä työohsi soveltuvia vaatteita. Älä käytä löysiä työvaatteita tai koruja. Pidä hiukset, vaatteet ja käsineet loitolla liikkuvista osista.** Väljät vaatteet, korut ja pitkät hiukset voivat takertua liikkuviin osiin.
- ▶ **Jos pölynpoisto- ja keräilylaitteita voidaan asentaa, sinun on tarkastettava, että ne on liitetty oikein ja että niitä käytetään oikealla tavalla.** Pölynpoistovarustuksen käyttö vähentää pölyn aiheuttamia vaaroja.
- ▶ **Älä tuudittaudu virheelliseen turvallisuuden tunteeseen äläkä laiminlyö sähkötyökaluja koskevia turvallisuusohjeita silloinkaan, kun mielestäsi jo olet kokenut sähkötyökalun käyttäjä.** Harkitsema- ton ja huolimaton toiminta voi sekunnin murto-osissa johtaa vakaviin loukkaantumisiin.

Sähkötyökalun käyttö ja käsittely

- ▶ **Älä ylikuormita konetta. Käytä kyseiseen työhön tarkoitettua sähkötyökalua.** Sopivaa sähkötyökalua käyttäen työskentelet paremmin ja varmemmin tehoalueella, jolle sähkötyökalu on tarkoitettu.
- ▶ **Älä käytä sähkötyökalua, jonka käyttökytkin ei toimi.** Sähkötyökalu, jota ei enää voida käynnistää ja pysäyttää käyttökytkimellä, on vaarallinen ja se täytyy korjata.



- ▶ **Irrota pistoke pistorasiasta ja/tai irrota akku ennen kuin muutat säätöjä, vaihdat terää tai lisävarusteita ja kun lopetat koneen käyttämisen.** Tämä turvatoimenpide estää sähkötyökalun tahattoman käynnistysriskin.
- ▶ **Säilytä sähkötyökalut poissa lasten ulottuvilta, kun niitä ei käytetä. Älä anna toisten henkilöiden käyttää konetta, elleivät he ole perehtyneet sen käyttöön ja lukeneet käyttöohjeita.** Sähkötyökalut ovat vaarallisia, jos niitä käyttävät kokemattomat henkilöt.
- ▶ **Hoida sähkötyökaluja ja niiden varusteita huolella. Tarkasta, että liikkuvat osat toimivat moitteettomasti eivätkä ole puristuksissa, ja tarkasta myös, ettei sähkötyökalussa ole murtuneita tai vaurioituneita osia, jotka saattaisivat haitata sen toimintaa. Korjauta vaurioituneet osat ennen koneen käyttämistä.** Usein loukkaantumisten ja tapaturmien syyinä on sähkötyökalujen laiminlyöty huolto.
- ▶ **Pidä terät terävinä ja puhtaina.** Huolella hoidetut terät, joiden leikkausreunat ovat teräviä, eivät jumitu herkästi, ja niillä työnteko on kevyempää.
- ▶ **Käytä sähkötyökalua, lisävarusteita ja tarvikkeita, teriä jne. niiden käyttöohjeiden mukaisesti. Ota tällöin työolosuhteet ja suoritettava työtehtävä huomioon.** Sähkötyökalun käyttö muuhun kuin sille tarkoitettuun käyttöön saattaa johtaa vaarallisiin tilanteisiin.
- ▶ **Pidä käsikahvat ja tartuntapinnat kuivina, puhtaina, öljyttöminä ja rasvattomina.** Jos käsikahvat tai tartuntapinnat ovat liukkaat, sähkötyökalun turvallinen käyttö ja hallinta voi yllättävissä tilanteissa olla mahdollonta.

Huolto

- ▶ **Anna koulutettujen ammattihenkilöiden korjata sähkötyökalusi ja hyväksy korjauksiin vain alkupe- räisiä varaosia.** Siten varmistat, että sähkötyökalu säilyy turvallisena.

2.2 Poravasaroita koskevat turvallisuusohjeet

Turvallisuusohjeet kaikkiin töihin

- ▶ **Käytä kuulosuojaimia.** Melu saattaa heikentää kuuloasi.
- ▶ **Käytä koneen mukana toimitettuja lisäkäsikahvoja.** Koneen hallinnan menettäminen saattaa aiheuttaa loukkaantumisia.
- ▶ **Tue sähkötyökalu hyvin ennen käyttöä.** Tämä sähkötyökalu tuottaa suuren vääntömomentin. Jos sähkötyökalua ei tueta käytön aikana kunnolla, seurauksena voi olla työkalun hallinnan menettäminen ja loukkaantumisia.
- ▶ **Pidä koneesta kiinni vain sen eristetyistä kahvapinnoista, jos teet työtä, jossa työkaluterä saattaa osua rakenteen sisällä olevaan virtajohtoon tai koneen verkkojohtoon.** Jos terä osuu virtajohtoon, koneen metalliosiin saattaa johtua virta, jolloin saatat saada sähköiskun.

Turvallisuusohjeet jos käytät pitkiä poranteriä

- ▶ **Aloita poraaminen aina pienellä kierrosluvulla ja siten, että poranterä koskettaa työkappaletta.** Suuremmilla kierrosluvuilla poranterä saattaa herkästi taipua, jos se pyörii vapaasti ilman että se koskettaa työkappaletta, ja seurauksena voi olla loukkaantumisia.
- ▶ **Älä paina konetta tarpeettoman kovalla voimalla ja paina aina vain poranterän pituussuuntaan.** Poranterät voivat taipua ja siten murtua, tai seurauksena voi olla hallinnan menettäminen ja loukkaantumisia.

2.3 Lisää poravasaroiden turvallisuusohjeita

Henkilöturvallisuus

- ▶ Käytä vain tuotetta, joka on teknisesti moitteettomassa kunnossa.
- ▶ Älä koskaan tee koneeseen minkäänlaisia muutoksia.
- ▶ Käytä koneen mukana toimitettuja lisäkäsikahvoja. Koneen hallinnan menettäminen saattaa aiheuttaa loukkaantumisia.
- ▶ Kun teet reikiä, varmista työstettävän kohdan taustapuoli. Putoamaan tai sinkoutumaan pääsevät palaset voivat aiheuttaa muille vammoja.
- ▶ Pidä aina molemmin käsin kiinni koneen käsikahvoista. Pidä käsikahvat kuivina ja puhtaina.
- ▶ Pidä koneesta kiinni vain sen eristetyistä kahvapinnoista, jos teet työtä, jossa terä saattaa osua rakenteen sisällä olevaan virtajohtoon. Jos terä osuu virtajohtoon, koneen metalliosiin saattaa johtua virta, jolloin saatat saada sähköiskun.
- ▶ Varo, ettet koske pyöriviin osiin - loukkaantumisvaara!
- ▶ Koneita käyttäessäsi käytä soveltuvia suoja-alueita, suojakypäriä, kuulosuojaimia, suojakäsineitä ja kevyttä hengityssuojainta.



- ▶ Käytä työkaluterän vaihdossa suojakäsineitä. Työkaluterän koskettaminen saattaa aiheuttaa haavoja ja palovammoja.
- ▶ Käytä suojalaseja. Sirpaleet saattavat aiheuttaa vammoja ja vahingoittaa silmiä.
- ▶ Selvitä työssä syntyvän pölyn vaarallisuus ennen työn aloittamista. Käytä rakennustyömaakäyttöön hyväksyttyä pölynimuria, joka täyttää viralliset pölysuojaluokitusmääräykset. Tiettyjen materiaalien kuten lyijypitoisen maalin, joidenkin puulajien, kvartsia sisältävän betonin / muurauksen / kivetyksen ja mineraalien sekä metallien pölyt voivat olla terveydelle vaarallisia.
- ▶ Varmista työpisteen hyvä tuuletus ja tarvittaessa käytä hengityssuojainta, joka soveltuu kyseessä olevalla pölylle. Pölyjen ihokosketus tai hengittäminen saattaa aiheuttaa allergisia reaktioita ja/tai hengitystiesairauksia koneen käyttäjälle tai lähellä oleville henkilöille. Tietyt pölyt kuten tammen tai pyökin pöly on luokiteltu syöpää aiheuttaviksi, erityisesti jos niihin liittyy puunkäsittelyn lisäaineita (kromaatti, puunsuoja-aineet). Asbestia sisältäviä materiaaleja saavat työstää vain erikoiskoulutetut henkilöt.
- ▶ Pidä työssäsi taukoja, joiden aikana tee sormivoimisteluliikkeitä varmistaaksesi sormiesi hyvän verenkierron. Pitempään jatkuva työnteko saattaa tärinän vuoksi aiheuttaa verenkiertohäiriöitä tai sormien, käsien ja ranteiden hermokipuja.

Sähköturvallisuus

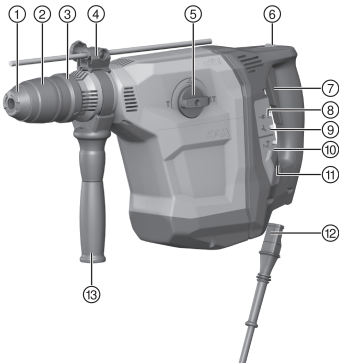
- ▶ Tarkasta ennen työn aloittamista, onko työskentelyalueella rakenteiden sisälle asennettuja sähköjohtoja tai kaasu- ja vesiputkia. Koneen ulkopinnan metalliosista saatat saada sähköiskun, jos vahingossa osut sähköjohtoon.

Sähkötyökalujen käyttö ja hoito

- ▶ Kytke sähkötyökalu heti pois päältä, jos terä jumittuu. Kone saattaa pyrkiä liikkumaan sivusuunnassa.
- ▶ Odota, että sähkötyökalu on täysin pysähtynyt, ennen kuin lasket sen kädestäsi.

3 Kuvaus

3.1 Tuoteyhteenveto



- ① Pölysuojus
- ② Istukka
- ③ Työkaluterän lukituksen vapautus
- ④ Syvyysrajoinin (lisävaruste)
- ⑤ Toimintatapavalitsin
- ⑥ Piikkausterän lukitus
- ⑦ Käyttökytkin
- ⑧ Toiminnan merkkivalo
- ⑨ Huoltotarpeen merkkivalo
- ⑩ Puolitehon merkkivalo
- ⑪ Puolitehon kytkin
- ⑫ Verkkojohto jossa koodattu, irrotettava pistoke
- ⑬ Sivukahva



3.2 Tarkoituksenmukainen käyttö

Kuvattu tuote on paineilmatoimisella iskumeکانismilla varustettu sähkökäyttöinen kombiporavasara. Se on tarkoitettu betonin, tiilen, muurauksen, puun ja metallin poraustöihin. Tuotetta voidaan myös käyttää tiilen ja muurauksen kevyisiin ja keskivaativiin piikkaustöihin ja betonin viimeistelytöihin.

- Koneen saa liittää vain verkkovirtaan, jonka jännite ja taajuus vastaavat koneen tyyppikilvessä olevia tietoja.

3.3 Taustakiinnikeankkuri

Tuote soveltuu taustakiinnikeankkureiden kiinnittämiseen. Käytä vain soveltuvia kiinnitystyökaluja! Tarkempia tietoja saat **Hilti**-edustajalta.

3.4 Mahdollinen väärä käyttö

- Tämä tuote ei sovellu terveydelle vaarallisten materiaalien työstöön.
- Tämä tuote ei sovellu kosteassa ympäristössä käytettäväksi.

3.5 Active Vibration Reduction

Tuotteessa on Active Vibration Reduction (AVR) -järjestelmä, joka merkittävästi vähentää tärinää.

3.6 ATC

Tuotteessa on elektroninen pikapoiskytkentä ATC (Active Torque Control).

Jos työkaluterä juuttuu tai takertelee, tuote saattaa yhtäkkiä ja hallitsemattomasti pyörähtää päinvastaiseen suuntaan. ATC tunnistaa tuotteen tällaisen äkillisen pyörähdysliikkeen ja kytkee tuotteen heti pois päältä.



Moitteettoman toiminnan edellytys on, että tuote pystyy pyörimään.

Pikapoiskytkennän tapahtuttua kytke tuote pois päältä ja takaisin päälle.

3.7 Huoltotarpeen merkkivalo

Tuotteessa on huoltotarpeen merkkivalo.

3.7.1 Huoltotarpeen merkkivalon tila

Tila	Merkitys
Huoltotarpeen merkkivalo palaa.	Käyttöajan perusteella huolto on tullut ajankohtaiseksi.
Huoltotarpeen merkkivalo vilkkuu.	Korjauta kombiporavasara Hilti -huollossa.

3.8 Toimituksen sisältö

Kombiporavasara, sivukahva, käyttöohje.

Muita tälle tuotteelle hyväksytyjä järjestelmätuotteita löydät **Hilti Store** -liikkeestä tai nettiosoitteesta: www.hilti.group

4 Tekniset tiedot

4.1 Kombiporavasara



Nimellisjännitteen, nimellisvirran, verkkovirran taajuuden ja nimellisottotehon näet maakohtaisesta tyyppikilvestä.

Jos konetta käytetään generaattoriin tai muuntajaan liitettynä, generaattorin tai muuntajan antotehon pitää olla vähintään kaksi kertaa niin suuri kuin koneen tyyppikilpeen merkitty nimellisottoteho. Muuntajan tai generaattorin käyttöjännitteen pitää aina olla rajoissa +5 % ja -15 % koneen nimellisjännitteestä.

Paino EPTA 01 mukaan	10 kg
-----------------------------	-------



4.2 Melutiedot ja tärinäarvot EN 60745 mukaan

Tässä käyttöohjeessa annetut äänenpaine- ja tärinäarvot on mitattu standardoitujen mittausten menetelmien mukaisesti, ja näitä arvoja voidaan käyttää sähkötyökalujen vertailussa. Ne soveltuvat myös altistumisten tilapäiseen arviointiin. Annetut arvot koskevat sähkötyökalun pääasiallisia käyttötarkoituksia. Jos sähkötyökalua kuitenkin käytetään muihin tarkoituksiin, poikkeavia työkaluja tai teriä käyttäen tai puutteellisesti huollettuna, arvot voivat poiketa tässä ilmoitetuista. Tämä saattaa merkittävästi lisätä altistumista koko työskentelyajan aikana. Altistumisia tarkasti arvioitaessa on otettava huomioon myös ne ajat, jolloin kone on kytketty pois päältä tai jolloin kone on päällä, mutta sillä ei tehdä varsinaista työtä. Tämä saattaa merkittävästi vähentää altistumista koko työskentelyajan aikana. Käyttäjän suojaamiseksi melun ja/tai tärinän vaikutukselta ryhdy tarpeellisiin turvatoimenpiteisiin kuten: Sähkötyökalun ja siihen kiinnitettävien työkaluterien huolto, käsien lämpimänä pitäminen, työtehtävien organisointi.

Melupäästöarvot

Äänitehotaso (L_{WA})	111 dB(A)
Äänitehotason epävarmuus (K_{WA})	3 dB(A)
Melupäästön äänenpainetaso (L_{pA})	100 dB(A)
Äänenpainetaso epävarmuus (K_{pA})	3 dB(A)

Tärinän kokonaisarvot

Tärinäarvo porattaessa iskulla betoniin ($a_{h,HD}$)	8,3 m/s ²
Tärinäarvo piikattaessa ($a_{h,Cheq}$)	8 m/s ²
Epävarmuus (K)	1,5 m/s ²

5 Käyttö

5.1 Työkohteen valmistelu

VAROITUS

Loukkaantumisvaara! Tuotteen käynnistyminen vahingossa.

- Irrota pistoke verkkopistorasiasta, ennen kuin muutat koneen säätöjä tai vaihdat lisävarusteisia.

Noudata tässä dokumentaatioissa ja tuotteessa olevia turvallisuus- ja varoitushuomautuksia.

5.1.1 Irrotettavan verkkojohdon liittäminen

VAROITUS

Loukkaantumisvaara Likaantuneiden liittimien aiheuttama vuotovirtavaara.

- Irrotettavan sähköpistokkeen saa liittää sähkötyökaluun vain, kun pistoke on puhdas, kuiva ja jännitteetön.

1. Työnnä koodattu, irrotettava sähköpistoke tuotteeseen vasteeseen saakka siten, että kuulet lukittumisen.
2. Liitä pistoke verkkopistorasiaan.

5.1.2 Irrotettavan verkkojohdon irrotus sähkötyökalusta

1. Irrota pistoke verkkopistorasiasta.
2. Paina lukituspainiketta ja vedä koodattu, irrotettava verkkojohdotte irti.
3. Vedä verkkojohto irti koneesta.

5.1.3 Sivukahvan kiinnitys

VAROITUS

Loukkaantumisvaara Kombiporavasaran hallinnan menettämisen vaara.

- Varmista, että sivukahva on kiinnitetty oikein ja kunnolla kiinni. Varmista, että kiristyspanta on oikein paikallaan koneessa olevassa urassa.

1. Kierrä kahvaa sivukahvan kiinnittimen (kiinnityspanta) avaamiseksi.
2. Työnnä kiinnitin (kiinnityspanta) edestäpäin istukan päälle sille tarkoitettuun uraan saakka.
3. Aseta sivukahva haluamaasi asentoon.
4. Kierrä kahvaa sivukahvan kiinnittimen (kiinnityspanta) kiinni kiristämiseksi.



5.1.4 Syvyyssrajoittimen (lisävaruste) kiinnitys

1. Kierrä kahvaa sivukahvan kiinnittimen (kiinnityspanta) avaamiseksi.
2. Työnnä syvyyssrajoitin edestäpäin sille tarkoitettuihin 2 ohjainreikään.
3. Kierrä kahvaa sivukahvan kiinnittimen (kiinnityspanta) kiinni kiristämiseksi.

5.1.5 Käyttökytkimen lukitus



Piikkauskäytössä voit lukita käyttökytkimen pohjaan.

- Paina käyttökytkimen lukitsinta.

5.1.6 Työkaluterän kiinnitys



Soveltumattoman rasvan käyttö voi vaurioittaa tuotetta. **Käytä vain alkuperäistä Hilti-rasvaa.**

1. Rasvaa työkaluterän istukkapää kevyesti.
 - Käytä vain alkuperäistä **Hilti**-rasvaa. Vääränlainen rasva voi vaurioittaa tuotetta.
2. Laita työkaluterä istukkaan vasteeseen saakka ja varmista, että se lukittuu paikalleen.
3. Tarkasta työkaluterän kunnollinen lukittuminen vetämällä työkaluterästä.
 - Tuote on toimintavalmis.

5.1.7 Työkaluterän irrotus

- Vedä työkaluterän lukitsin taaksepäin vasteeseen saakka ja irrota työkaluterä.



Käytä vain alkuperäistä **Hilti**-rasvaa. Soveltumattoman rasvan käyttö voi vaurioittaa tuotetta.

5.1.8 Tehonsäätö



Tehoa voit säätää vain käyttötilan ollessa kytkettynä.

Koneen puolitehoa käytät painamalla puolitehon painiketta. Tehon näyttö syytty ilmaisemaan pienempää tehoa. Kun painat puolitehon painiketta uudelleen, kone säätyy käyttämään taas täyttä poraustehoa, ja tehon näyttö sammuu.

Kun kytket tuotteen pois päältä ja uudelleen päälle, täysi teho on jälleen käytettävissä.

- Säädä teho.

5.2 Työskentely



VAARA

Sähköiskun aiheuttama vaara! Jos maadotusjohdin ja vikavirtasuojakytkin puuttuvat, seurauksena voi olla vakavia loukkaantumisia ja palovammoja.

- Varmista, että rakennustyömaan virtajohdossa, joka tulee joko sähköverkosta tai generaattorilta, on aina olemassa ja liitettyä maadotusjohdin ja vikavirtasuojakytkin.
- Älä käytä tuotetta, elleivät nämä turvallisuustoimenpiteet ole kunnossa.



VAARA

Johdon vaurion aiheuttama vaara! Jos koneen verkkojohto tai jatkojohto vaurioituu käytön aikana, irrota heti kone ja sen johto verkkovirrasta. Älä kosketa vaurioitunutta kohtaa!

- Tarkasta kaikki liitännäiset säännöllisesti. Vaihda vaurioitunut jatkojohto.

Hanki töiden koko laajuudelle työnjohdon suostumus!




5.2.1 Poraus ilman iskua




Poraaminen ilman iskua on mahdollista käytettäessä terää, jossa on erityinen kiinnityspää. **Hilti**-työkaluvalikoimasta löytyy myös tällaisia työkaluteriä.

Pikaistukkaa käyttäen voidaan kiinnittää esimerkiksi lieriövartinen puu- tai metalliporanteri ja porata ilman iskua.

- ▶ Aseta toimintatapavalitsin tähän asentoon .

5.2.2 Poraaminen iskulla (iskuporaus)

- ▶ Aseta toimintatapavalitsin tähän asentoon .

5.2.3 Piikkausterän kohdistaminen



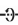
VAROITUS

Loukkaantumisvaara! Piikkaussuunnan hallinnan menettämisen vaara.


- ▶ Älä työskentele asentoa "Piikkausterän kohdistaminen" käyttäen. Aseta toimintatapavalitsin piikkausa- asentoon, kunnes se lukittuu.



Piikkaustyökalun voi kiinnittää 24 eri asentoon (15° välein). Näin latta- ja muotopiikkaustyökalun saa kiinnitettyä aina työn kannalta sopimpaan asentoon.

- ▶ Aseta toimintatapavalitsin tähän asentoon .

5.2.4 Piikkaaminen

- ▶ Aseta toimintatapavalitsin tähän asentoon .

6 Huolto, hoito ja kunnossapito



VAARA

Sähköiskun vaara! Hoito- ja kunnostustöiden suorittaminen pistoke pistorasiaan liitettynä voi johtaa vakaviin loukkaantumisiin ja palovammoihin.

- ▶ Irrota pistoke verkkopistorasiasta aina ennen hoito- ja kunnostustöitä!

Huolto ja hoito

- Poista pinttynyt lika varovasti.
- Puhdista jäähdytysilmaraot varovasti kuivalla harjalla.
- Käytä kotolon puhdistamiseen vain kevyesti kostutettua kangasta. Älä käytä silikonia sisältäviä hoitoai- neita, sillä ne voivat vaurioittaa muoviosia.

Kunnossapito



VAARA

Sähköiskun aiheuttama vaara! Sähköosien asiantuntemattomat korjaukset voivat aiheuttaa vakavia loukkaantumisia ja palovammoja.

- ▶ Sähköosien korjaustyöt saa tehdä ainoastaan valtuutettu sähköasentaja.
- Tarkasta säännöllisin välein kaikkien näkyvien osien mahdolliset vauriot ja käyttöelementtien moitteeton toiminta.
- Jos havaitset vaurioita ja / tai toteat toimintahäiriöitä, älä käytä tuotetta. Korjauta heti **Hilti**-huollossa.
- Hoito- ja kunnostustöiden jälkeen kiinnitä kaikki suojalaitteet ja tarkasta niiden toiminta.



Käyttöturvallisuuden varmistamiseksi käytä vain alkuperäisiä varaosia ja käyttömateriaaleja. Tälle tuotteelle hyväksytyjä varaosia, kulutusmateriaaleja ja lisävarusteita löydät **Hilti Store** -liikkeestä tai osoitteesta: www.hilti.group.

6.1 Pölysuojuksen puhdistus

- ▶ Puhdista istukan pölysuojus säännöllisin välein puhtaalla, kuivalla kankaalla.
- ▶ Pyyhi tiivistehuuli varovasti puhtaaksi ja rasvaa se kevyesti **Hilti**-rasvalla.



- Pölysuojus on ehdottomasti vaihdettava, jos sen tiivistehuuli on vaurioitunut.

7 Kuljetus ja varastointi

- Älä kuljeta sähkötyökalua työkaluterä kiinnitettynä.
- Varastoi sähkötyökalu aina sen pistoke verkkopistorasiasta irrotettuna.
- Varastoi kone lasten ja asiattomien henkilöiden ulottumattomissa.
- Pitemmän kuljetuksen tai varastoinnin jälkeen tarkasta sähkötyökalun mahdolliset vauriot ennen käyttöä.

8 Apua häiriötilanteisiin

Häiriöissä, joita ei ole kuvattu tässä taulukossa tai joita et itse pysty poistamaan, ota yhteys **Hilti**-huoltoon.

8.1 Vianmääritys

Häiriö	Mahdollinen syy	Ratkaisu
Tuote ei käynnisty.	Katkos jännitteensaannissa.	► Liitä toinen sähkötyökalu ja tarkasta toimiiko se.
	Generaattori Sleep Mode -tilassa.	► Kuormita generaattoria toisella kuluttimella (esimerkiksi työmaalampulla). Sen jälkeen kytke tuote pois päältä ja sitten takaisin päälle.
	Elektroninen käynnistysenesto on kytkeytynyt päälle virran katkeamisen seurauksena.	► Kytke tuote pois päältä ja takaisin päälle.
	Irotettava verkkojohto ei ole kunnolla kiinni.	► Liitä irotettava verkkojohto oikein sähkötyökaluun.
	Hiilet kuluneet.	► Tarkastuta ja tarvittaessa vaihdata ammattitaitoisessa erikoiskorjaamossa.
Ei iskuja.	Tuote liian kylmä.	► Aseta tuote pintaa vasten ja anna sen käydä tyhjäkäyntiä. Tarvittaessa toista tämä, kunnes iskumekanismi toimii.
Tuote ei toimi täydellä teholla.	Jatkojohto liian pitkä ja / tai sen poikkipinta-ala on liian pieni.	► Käytä jatkojohtoa, jonka pituus on sallittu ja / tai poikkipinta-ala on riittävä.
	Käyttökytkin ei ole täysin pohjaan painettuna.	► Paina käyttökytkin vasteeseen saakka.
	Virransaannin jännite on liian pieni.	► Liitä tuote toiseen virtalähteeseen.
	Puolitehon painike painettuna.	► Paina puolitehon painiketta.
Poranterä ei pyöri.	Toimintatapavalitsin ei ole lukittunut tai toimintatapavalitsin on piikkaamisen asennossa T tai piikkausterän kohdistamisen asennossa → .	► Aseta toimintatapavalitsin iskulla poraamisen asentoon T koneen ollessa pysähyksissä.
Poranterää ei saa vapautettua lukituksesta.	Istukkaa ei ole vedetty kunnolla taakse.	► Vedä työkalun lukitsin vasteeseen saakka takaisinpäin ja irrota työkalu.
	Sivukahva väärin kiinnitetty.	► Vapauta sivukahva ja kiinnitä se oikein siten, että kiinnityspanta ja sivukahva lukittuvat syvennykseen.
Tuote kytkeytyy pois päältä poranterän jumittuessa.	Elektroninen suojaus on aktivoitunut jumittumisten välttämiseksi.	► Vapauta poranterä.



Häiriö	Mahdollinen syy	Ratkaisu
Huoltotarpeen merkkivalo vilkkuu.	Tuotteessa vaurio.	► Korjauta tuote Hilti -huollossa.
Huoltotarpeen merkkivalo palaa.	Hiilet kuluneet.	► Tarkastuta ja tarvittaessa vaihdata ammattitaitoisessa erikoiskorjaamossa.

9 Hävittäminen

Hilti-työkalut, -koneet ja -laitteet on pääosin valmistettu kierrätyskelpoisista materiaaleista. Kierrätyksen edellytys on materiaalien asianmukainen lajittelu. Useissa maissa **Hilti** ottaa vanhat koneet ja laitteet vastaan kierrätystä ja hävitystä varten. Lisätietoja saat **Hilti**-huollosta tai -edustajalta.



- Älä hävitä sähkötyökaluja, elektronisia laitteita ja akkuja tavallisen sekajätteen mukana!

10 RoHS (vaarallisten aineiden käytön rajoittamisen direktiivi)

Vaarallisten aineiden taulukon löydät seuraavasta linkistä: qr.hilti.com/r6851673.

Linkki RoHS-taulukkoon on tämän dokumentaation lopussa QR-koodina.

11 Valmistajan myöntämä takuu

- Jos sinulla on takuehtoihin liittyviä kysymyksiä, ota yhteys paikalliseen **Hilti**-edustajaan.

Originaalkasutusjuhend

1 Andmed dokumentatsiooni kohta

1.1 Kasutusjuhend

- Enne seadme kasutuselevõttu lugege see kasutusjuhend läbi. See on ohutu kasutamise ja tõrgeteta töö eeldus.
- Järgige kasutusjuhendis esitatud ja tootele märgitud ohutusnõudeid ja hoiatusi.
- Hoidke kasutusjuhend alati seadme juures ja toote edasiandmisel teistele isikutele andke üle ka kasutusjuhend.

1.2 Märkide selgitus

1.2.1 Hoiatused

Hoiatused annavad märku toote kasutamisel tekkivatest ohtudest. Kasutatakse järgmisi märksõnu:



OHT

OHT !

- Võimalikud ohtlikud olukorrad, mis võivad põhjustada kasutaja raskeid kehavigastusi või hukkumist.



HOIATUS

HOIATUS !

- Võimalik ohtlik olukord, mis võib põhjustada kasutaja raskeid kehavigastusi või hukkumist.



ETTEVAATUST

ETTEVAATUST !

- Võimalikud ohtlikud olukorrad, mis võivad põhjustada kehavigastusi või varalist kahju.

1.2.2 Kasutusjuhendis kasutatud sümbolid

Selles dokumendis kasutatakse järgmisi sümboleid.



	Lugege enne kasutamist läbi kasutusjuhend!
	Soovitused seadme kasutamiseks ja muu kasulik teave
	Taaskasutatavate materjalide käsitsemine
	Elektriseadmeid ja akusid ei tohi visata olmejäätmete hulka.

1.2.3 Joonistel kasutatud sümbolid

Joonistel kasutatakse järgmisi sümboleid.

	Numerbrid viitavad vastavatele joonistele kasutusjuhendi alguses
3	Numeratsioon kajastab töötappide järjekorda pildi kujul ja võib tekstis kirjeldatud töötappidest erineda
	Positsiooninumbreid kasutatakse ülevaltejoonisel ja need viitavad selgituste numbritele toote ülevaltees
	See märk näitab, et toote käitsemisel tuleb olla eriti tähelepanelik.
	Seadme käitsemisel kandke kaitsekindaid.

1.3 Tootest sõltuvad sümbolid

1.3.1 Sümbolid tootel

Tootel võib kasutada järgmisi sümboleid:

V	Volt
A	Amper
Hz	Herts
/min	Pööret minutis
RPM	Pööret minutis
∅	Läbimõõt
	Vahelduvpinge
	Kaitseklass II (topeltisolatsioon)
	Seade toetab andmete traadita ülekandmist, mis on ühildatav iOS- ja Android-platvormidega.

1.4 Tooteinfo

HILTI tooted on ette nähtud professionaalsele kasutajale ja neid tohivad käsitseda, hooldada ja korras hoida ainult volitatud ja asjaomase väljaõppega isikud. Nimetatud personal peab olema teadlik kõikidest kaasnevatest ohtudest. Seade ja sellega ühendatavad abivahendid võivad osutada ohtlikuks, kui neid ei kasutata nõuetekohaselt või kui nendega töötab vastava väljaõppeta isik.

Tüübithis ja seerianumber on tüübisildil.



- ▶ Kandke seerianumber järgmise tabelisse. Andmeid toote kohta vajate meie esindusele või hooldekusele päringute esitamisel.

Tooteinfo

Kombivasar	TE 70-ATC/AVR
Põlvkond	04
Seerianumber	

1.5 Vastavusdeklaratsioon

Kinnitame ainuvastutajana, et käesolevas kasutusjuhendis kirjeldatud seade vastab kehtivate direktiivide ja standardite nõuetele: Vastavusdeklaratsiooni ärakirja leiате käesoleva kasutusjuhendi lõpust.

Tehnilised dokumendid on saadaval:

Hilti Entwicklungsgesellschaft mbH | Zulassung Geräte | Hiltistraße 6 | 86916 Kaufering, DE

2 Ohutus

2.1 Üldised ohutusnõuded elektriliste tööriistade kasutamisel

⚠ HOIATUS! Lugege kõiki selle elektrilise tööriista juurde kuuluvaid ohutusjuhiseid, nõuandeid, jooniseid ja tehnilisi andmeid! Järgmiste juhiste eiramise tagajärg võib olla elektrilöökk, tulekahju ja/või rasked vigastused.

Hoidke kõik ohutusnõuded ja juhised edaspidiseks kasutamiseks alles.

Ohutusjuhistes kasutatud mõiste "elektriline tööriist" käib võrgutoitega (toitejuhtmega) elektriliste tööriistade või akutoitega (toitejuhtmeta) elektriliste tööriistade kohta.

Ohutus töökohal

- ▶ **Hoidke oma töökoht puhas ja valgustage seda korralikult.** Korrastamata ja valgustamata töökoht võib põhjustada õnnetusi.
- ▶ **Ärge kasutage elektrilist tööriista plahvatusohtlikus keskkonnas, kus leidub tuleohtlikke vedelikke, gaase või tolmu.** Elektrilistest tööriistadest lööb sademeid, mis võivad tolmu või auru süüdata.
- ▶ **Hoidke lapsed ja kõik teised töökohast eemal, kui kasutate elektrilist tööriista!** Kui teie tähelepanu juhitakse kõrvale, võib seade teie kontrolli alt väljuda.

Elektriohutus

- ▶ **Elektrilise tööriista pistik peab sobima pistikupesasse. Pistiku juures ei tohi teha mingeid muudatusi. Kaitsemaandusega seadmete puhul ei tohi kasutada adapterpistikuid.** Muutmata pistikud ja sobivad pistikupesad vähendavad elektrilöögiohtu.
- ▶ **Vältige keha kontakti maandatud pindadega (nt toru, radiaator, pliit, külmik).** Kui teie keha on maandatud, on elektrilöögi oht suurem.
- ▶ **Kaitske elektrilist tööriista vihma ja niiskuse eest.** Kui elektrilise tööriista sisemusse satub vett, suurendab see elektrilöögiohtu.
- ▶ **Ärge kasutage ühenduskaablit elektrilise tööriista kandmiseks, riputamiseks ega pistiku stepslist väljatõmbamiseks!** Hoidke ühenduskaablit eemal kuumusest, õlidest, teravatest servadest ja liikuvatest osadest. Kahjustatud või keerdu ühenduskaablid suurendavad elektrilöögiohtu.
- ▶ **Kui töotate elektrilise tööriistaga vabas õhus, kasutage ainult selliseid pikendusjuhtmeid, mida tohib kasutada ka välitingimustes.** Välitingimustes sobiva pikendusjuhtme kasutamine vähendab elektrilöögiohtu.
- ▶ **Kui seadmega töötamine niiskes keskkonnas on vältimatu, kasutage rikkevoolu kaitseülilitit.** Rikkevoolu kaitseüliliti kasutamine vähendab elektrilöögiohtu.

Inimeste ohutus

- ▶ **Olge tähelepanelik, jälgige, mida teete, ja toimige elektrilise tööriistaga töötades kaalutletult. Ärge töötagte elektrilise tööriistaga, kui olete väsinud või alkoholi, narkootikumide või ravimite mõju all!** Hetkeline tähelepanematus elektrilise tööriista kasutamisel võib põhjustada raskeid kehavigastusi ja varalist kahju.
- ▶ **Kandke isiklikke kaitsevahendeid ja alati kaitseprille.** Isiklike kaitsevahendite, nt tolmu maski, libisemiskindlate turvajalatsite, kaitsekiivri või kuulmiskaitsevahendite kandmine (sõltuvalt elektrilise tööriista tüübist ja kasutusala) vähendab vigastusohtu.
- ▶ **Vältige elektrilise tööriista soovimatut käivitamist! Enne elektrilise tööriista ühendamist vooluvõrku ja/või elektrilise tööriista aku paigaldamist, tööriista ülestõstmist ja kandmist veenduge, et elektriline tööriist on välja lülitatud!** Kui hoiate elektrilise tööriista kandmisel sõrme lülilil või ühendate vooluvõrku sisselülitatud tööriista, võib juhtuda õnnetus.



- ▶ **Enne elektrilise tööriista sisselülitamist eemaldage selle küljest seade- ja mutrivõtmed.** Elektrilise tööriista pöörleva osa küljes olev seade- või mutrivõti võib põhjustada vigastusi.
- ▶ **Vältige ebatavalist tööasendit! Võtke stabiilne tööasend ja säilitage alati tasakaal.** Nii saate elektrilist tööriista ootamatutes olukordades paremini kontrollida.
- ▶ **Kandke sobivat rõivastust. Ärge kandke laiu riideid ega ehteid! Hoidke juuksed, rõivad ja kindad seadme liikuvatest osadest eemal.** Lotendavad riided, ehted ja pikad juuksed võivad sattuda seadme liikuvate osade vahele.
- ▶ **Kui elektrilise tööriista külge on võimalik paigaldada tolmuemaldus- ja kogumisseediseid, veenduge, et need on tööriistaga ühendatud ja et neid kasutatakse nõuetekohaselt.** Tolmuemaldusseedise kasutamine võib vähendada tolmu taset ootamatult.
- ▶ **Ärge laske tekkida petlikul turvatundel ega eirake elektrilise tööriista ohutusreegleid isegi siis, kui olete pärast paljukordset kasutamist elektrilise tööriistaga harjunud.** Tähelepanematu käsitsemine võib sekundi mürdosa jooksul kaasa tuua raskeid vigastusi.

Elektrilise tööriista kasutamine ja käsitsemine

- ▶ **Ärge koormake seadet üle! Kasutage konkreetseks tööks sobivat elektrilist tööriista.** See töötab ettenähtud jõudluspiirides tõhusamalt ja ohutumalt.
- ▶ **Ärge kasutage elektrilist tööriista, mille lüliti on rikkis!** Elektriline tööriist, mida ei saa enam lülitist korralikult sisse ja välja lülitada, on ohtlik ning tuleb viia parandusse.
- ▶ **Tõmmake enne seadme mis tahes seadetoide, tarvikute vahetamist ja seadme hoieülevaetust pistikupesast välja ja/või eemaldage äravõetav aku.** See ettevaatusabinõu hoiab ära seadme soovimatu käivitumise.
- ▶ **Kasutusvälisel ajal hoidke elektrilist tööriista lastele kättesaamatus kohas. Ärge laske seadet kasutada isikutel, kes seadme tööpõhimõtet ei tunne või ei ole lugenud käesolevaid kasutusjuhendeid.** Asjatundmatute isikute käes on elektrilised tööriistad ohtlikud.
- ▶ **Hooldage elektrilisi tööriistu ja tarvikuid korralikult. Kontrollige, kas liikuvad osad töötavad veatult ega kiilu kiini. Veenduge, et seadme osad ei ole murdunud või kahjustatud määral, mis mõjutab seadme töökindlust. Laske kahjustatud osad enne seadme kasutamist parandada.** Ebapiisavalt hooldatud elektrilised tööriistad põhjustavad õnnetusi.
- ▶ **Hoidke löiketarvikud teravad ja puhtad.** Hästi hooldatud, teravate löikeservadega löiketarvikud kiiluvad harvemini kinni ja neid on lihtsam juhtida.
- ▶ **Kasutage elektrilist tööriista, tarvikuid ja lisatarvikuid vastavalt nende juhiste. Arvestage seejuures töötingimuste ja tehtava töö iseloomuga.** Elektrilise tööriista kasutamine otstarbel, milleks see ei ole ette nähtud, võib põhjustada ohtlikke olukordi.
- ▶ **Käepidemed ja haardepinnad peavad olema kuivad, puhtad ning vabad õlist ja rasvast.** Libedad käepidemed ja haardepinnad ei võimalda elektrilist tööriista ootamatutes olukordades kindlalt käsitseada ega kontrollida.

Hooldus

- ▶ **Laske elektrilist tööriista parandada ainult kvalifitseeritud spetsialistidel, kes kasutavad originaalvaruosi.** Nii on tagatud elektrilise tööriista ohutu töö.

2.2 Ohutusnõuded puurvarustusega töötamisel

Ohutusnõuded kõikide tööde puhul

- ▶ **Kandke kuulmiskaitsevahendeid.** Müra võib kahjustada kuulmist.
- ▶ **Kasutage tarnekomplekti kuuluvaid lisakäepidemeid.** Kontrolli kaotus seadme üle võib põhjustada vigastusi.
- ▶ **Toestage seade enne kasutamist korralikult.** Seade tekitab kõrge pöörlemomendi. Kui seadet töötamise ajal korralikult ei toestata, võivad tagajärjeks olla kontrolli kaotus ning kehavigastused ja varaline kahju.
- ▶ **Kui teete töid, mille puhul võib tarvik tabada varjatud elektrijuhtmeid või seadme enda toitejuhet, hoidke seadet üksnes käepideme isoleeritud haardepinnast.** Kokkupuude pingestatud elektrijuhtmega võib seada pinge alla ka seadme metalldetailid ja põhjustada elektrilöögi.

Ohutusnõuded pikkade puuride kasutamisel

- ▶ **Alustage puurimist alati madalatel pööretel ja veenduge, et puur puutub toorikuga kokku.** Kõrgematel pööretel võib puur veidi painduda, kui puuril on võimalik toorikus ilma kokkupuuteta vabalt pöörelda, ning tagajärjeks võivad olla kehavigastused ja varaline kahju.
- ▶ **Ärge rakendage liigset survet ning rakendage survet üksnes puuri suhtes pikisuunas.** Puurid võivad painduda ja seetõttu murduda või tuua kaasa kontrolli kaotuse ning kehavigastuste ja varalise kahju tekke.



2.3 Täiendavad ohutusnõuded puurvasara kasutamisel

Inimeste ohutus

- ▶ Kasutage toodet ainult siis, kui selle tehniline seisukord on veatu.
- ▶ Ärge kunagi muutke ega modifitseerige seadet.
- ▶ Kasutage tarnekomplekti kuuluvaid lisakäepidemeid. Kontrolli kaotus seadme üle võib põhjustada vigastusi.
- ▶ Läbistavate tööde korral turvake töödeldava koha taha jääv ala. Murduvad osad võivad välja ja/või alla kukkuda ning teisi inimesi vigastada.
- ▶ Hoidke seadet ettenähtud käepidemetest mõlema käega. Hoidke käepidemed kuivad ja puhtad.
- ▶ Kui teete töid, mille puhul võib tarvik tabada varjatud elektrijuhtmeid, hoidke seadet isoleeritud haardepinnast. Kokkupuude pingestatud elektrijuhtmega võib seada pinge alla ka seadme metalldetailid ja põhjustada elektrilöögi.
- ▶ Vältige kokkupuudet seadme pöörlevate osadega - vigastuste oht!
- ▶ Seadme kasutamise ajal kandke sobivaid kaitseprille, kaitsekiivrit, kuulmiskaitsevahendeid, kaitsekindaid ja kergest hingamisteede kaitsemaski.
- ▶ Kandke ka tarvikut vahetades kaitsekindaid! Tarviku puudutamine võib tekitada löikehaavu ja põletusi.
- ▶ Kasutage kaitseprille. Materjalist väljalendavad killud võivad tekitada keha- ja silmavigastusi.
- ▶ Enne töö algust tehke kindlaks töötamisel tekkiva tolmu ohuklass. Kasutage ettenähtud kaitseklassi kuuluvat ehitustolmuimejat, mis vastab kehtivatele tolmukaitse- ja vabade. Pliisisaldusega värvide, teatavat liiki puidu, betooni/müüritise/kvartsisisaldusega kivi, mineraalide ja metalli tolm võib kahjustada tervist.
- ▶ Tagage töökohal hea ventilatsioon ja vajaduse korral kandke tekkiva tolmu filtreerimiseks sobivat hingamisteede kaitsemaski. Kokkupuude tolmuga või tolmu sissehingamine võib põhjustada kasutajal või läheduses viibival isikul allergilist reaktsiooni ja/või hingamisteede haigusi. Teatav tolm, nt tamme- või pöögitolm on kantserogeenne, seda eeskätt koosmõjus puidu töötlemise lisaainetega (kromaat, puidukaitsevahendid). Asbesti sisaldavate materjalide töötlemine on lubatud vaid asjaomase kvalifikatsiooniga isikul.
- ▶ Tehke tööpauze ja liigutage sõrmi, et parandada nende verevarustust. Pikemaajaliste tööde korral võib vibratsioon tekitada probleeme sõrmede, käte ja randmeliigeste veresoontes ja närvisüsteemis.

Elektriohutus

- ▶ Enne töö algust kontrollige tööpiirkond üle ja veenduge, et seal ei ole varjatud elektrijuhtmeid, gaasi- ega veetorusid. Seadme välised metallosad võivad elektrijuhtme vigastamise korral tekitada elektrilöögi.

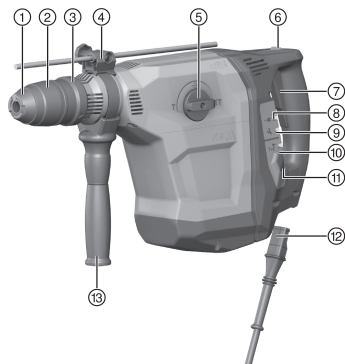
Elektriliste tööriistade hoolikas käsitsemine ja kasutamine

- ▶ Tarviku blokeerumise korral lülitage tööriist kohe välja. Seade võib külgsuunas liikuda.
- ▶ Enne käestpanekut oodake, kuni tööriist on seiskunud.



3 Kirjeldus

3.1 Toote ülevaade 1



- ① Tolmukaitsekate
- ② Padrun
- ③ Tarviku vabastamise nupp
- ④ Sügavuspiirik (tarvik)
- ⑤ Töörežiimilüliti
- ⑥ Meisli lukustus
- ⑦ Juhtlüliti
- ⑧ Funktsiooni signaal
- ⑨ Hooldusnäit
- ⑩ Poole võimsuse näit
- ⑪ Poole võimsuse lüliti
- ⑫ Kodeeritud lahutatava pistikühendusega võrgujuhe
- ⑬ Lisakäepide

3.2 Sihipärane kasutamine

Kirjeldatud toode on pneumaatilise löögimehhanismiga elektriline kombivasar. See on ette nähtud betooni, müüritise, puidu ja metalli puurimiseks. Lisaks võib seadet kasutada kergeteks kuni keskmisteks meiseldustöödeks müüritisel ning betoonpindade viimistlemiseks.

- ▶ Seadet võib kasutada vaid siis, kui vooluvõrgu pinge ja sagedus ühtib seadme andmesildil märgitud võrgupinge ja sagedusega.

3.3 Sisselõikega ankur

Seade on nähtud sisselõikega ankrute paigaldamiseks. Kasutage vaid sobivaid löögitarvikuid! Põhjalikku teavet selle kohta saate **Hilti** keskest.

3.4 Võimalik väärkasutus

- Seade ei ole ette nähtud tervisekahjulike materjalide töötlemiseks.
- Seade ei ole ette nähtud niiskes keskkonnas töötamiseks.

3.5 Active Vibration Reduction

Seade on varustatud Active Vibration Reduction (AVR) süsteemiga, mis vibratsiooni tuntavalt vähendab.

3.6 ATC

Seade on varustatud elektroonilise kiirväljalülitussüsteemiga ATC (Active Torque Control).

Kui tarvik blokeerub või jääb kinni, hakkab seade äkitselt kontrollimatult vastassuunas pöörlema. ATC tuvastab seadme järsu liikumise ja lülitab seadme kohe välja.



i Nõuetekohaseks töötamiseks peab seade saama vabalt pöörlelda. Pärast kiirväljalülitumist lülitage seade välja ja uuesti sisse.

3.7 Hooldusnäit

Tootel on valgussignaali hooldusnäit.

3.7.1 Hoolduse indikaatoritule olek

Seisund	Tähendus
Hooldusnäit põleb.	Käes on hoolduse tähtaeg.
Hooldusnäit vilgub.	Laske kombivasarat parandada Hilti hooldekeskuses.

3.8 Tarnekomplekt

Kombivasar, lisakäepide, kasutusjuhend.

Muud süsteemitooded leiata müügiesindusest **Hilti Store** või veebisaidilt: www.hilti.group

4 Tehnilised andmed

4.1 Kombivasar

i Andmed nimipinge, nimivoolu, sageduse ja nimivõimsuse kohta leiata kasutusriigile vastavalt andmesildilt.

Generaatori või transformaatori kasutamisel peab selle väljundvõimsus olema vähemalt kaks korda suurem kui seadme andmesildil märgitud sisendvõimsus. Transformaatori või generaatori tööpinge peab olema kogu aeg vahemikus +5% ja -15% seadme nimipingest.

Kaal EPTA-Procedure 01 kohaselt	10 kg
---------------------------------	-------

4.2 Andmed müra ja vibratsiooni kohta vastavalt standardile EN 60745

Käesolevas kasutusjuhendis toodud helirõhu- ja vibratsioonitase on mõõdetud standarditud mõõtemeetodil ning asjaomaseid näitajaid saab kasutada elektriliste tööriistade võrdlemiseks. Need sobivad ka müra- ja vibratsioonitaseme esialgseks hindamiseks. Toodud näitajad iseloomustavad elektrilise tööriista põhilisi ettenähtud töid. Kui aga elektrilist tööriista kasutatakse muul otstarbel, teiste tarvikutega või kui tööriista on ebapiisavalt hooldatud, võivad näitajad käesolevas juhendis toodud näitajatest kõrvale kalduda. See võib vibratsiooni- ja mürataset töötamise koguperioodil tunduvalt suurendada. Müra- ja vibratsioonitaseme täpseks hindamiseks tuleb arvesse võtta ka aega, mil tööriist oli välja lülitatud või küll sisse lülitatud, kuid tegelekult tööle rakendamata. See võib vibratsiooni- ja mürataset töötamise koguperioodil tunduvalt vähendada. Seadme kasutaja kaitsmiseks müra ja/või vibratsiooni eest rakendage täiendavaid kaitseabinõusid, näiteks: hooldage seadet ja tarvikuid korralikult, hoidke käed soojad, tagage sujuv töökorraldus.

Mürataset

Helivõimsustase (L_{WA})	111 dB(A)
Helivõimsustaseme mõõtemääramatus (K_{WA})	3 dB(A)
Helirõhutase (L_{pA})	100 dB(A)
Helirõhutaseme mõõtemääramatus (K_{pA})	3 dB(A)

Vibratsioonitase

Vibratsioonitase betooni töötlemisel puurvasaraga ($a_{h, HD}$)	8,3 m/s ²
Vibratsioonitase meiseldamisel ($a_{h, Cheq}$)	8 m/s ²
Mõõtemääramatus (K)	1,5 m/s ²



5 Käsitsemine

5.1 Töö ettevalmistamine

ETTEVAATUST

Vigastuste oht! Seadme soovimatu käivitumine.

- ▶ Enne seadme seadistamist ja tarvikute vahetamist tõmmake pistik pistikupesast välja.

Järgige kasutusjuhendis esitatud ja tootele märgitud ohutusnõudeid ja hoiatusi.

5.1.1 Pistikühendusega võrgujuhtme ühendamine

ETTEVAATUST

Vigastuste oht põhjustatud lekkevoolust määratud kontaktide puhul.

- ▶ Ühendage eemaldatav pistik elektrilise tööriistaga vaid siis, kui see on puhas, kuiv ja pingevaba.

1. Viige kodeeritud lahutatav pistik lõpuni seadmesse, kuni lukustus kuuldavalt kohale fikseerub.
2. Ühendage võrgupistik pistikupesassa.

5.1.2 Pistikühendusega võrgujuhtme lahtiühendamine elektrilise tööriista küljest

1. Tõmmake seadme võrgupistik pistikupesast välja.
2. Vajutage lukustusnupule ja tõmmake kodeeritud eemaldatav pistik välja.
3. Eemaldage toitejuhe seadmest.

5.1.3 Lisakäepideme paigaldamine

ETTEVAATUST

Vigastuste oht! Kombivasara üle kontrolli kaotamine.

- ▶ Veenduge, et lisakäepide on korrektselt paigaldatud ja nõuetekohaselt kinnitatud. Veenduge, et kinnitusriba asub seadme vastavas soones.

1. Keerake käepidemest, et lisakäepideme kinnitusmehhanism (kinnitusriba) vabastada.
2. Lükake lisakäepideme kinnitusmehhanism (kinnitusriba) eest üle padruni selleks ettenähtud soonde.
3. Seadke lisakäepide soovitud asendisse.
4. Keerake käepidemest, et lisakäepideme kinnitusmehhanism (kinnitusriba) kinni pingutada.

5.1.4 Sügavuspiiriku paigaldamine (lisavarustus)

1. Keerake käepidemest, et lisakäepideme kinnitusmehhanism (kinnitusriba) vabastada.
2. Lükake sügavuspiirik eest selleks ette nähtud 2 juhtauku.
3. Keerake käepidemest, et lisakäepideme kinnitusmehhanism (kinnitusriba) kinni pingutada.

5.1.5 Juhtlülitit lukustus



Meiseldusrežiimis saate juhtlülitit sisselülitatud olekus lukustada.

- ▶ Vajutage juhtlülitit lukustusnupule.

5.1.6 Tarviku paigaldamine



Ebasobiva määride kasutamine võib seadet kahjustada. **Kasutage üksnes Hilti originaalmääret.**

1. Määrige tarviku padrunisse kinnitatavat osa veidi.
 - ▶ Kasutage üksnes **Hilti** originaalmääret. Vale määre võib seadet kahjustada.
2. Torgake tarvik lõpuni padrunisse ja laske kohale fikseeruda.
3. Pärast paigaldamist tõmmake tarvikust, et kontrollida, kas see on kindlalt kinni.
 - ▶ Seade on töövalmis.



5.1.7 Tarviku eemaldamine

- ▶ Tõmmake padruni lukustus lõpuni tagasi ja eemaldage tarvik.



Kasutage üksnes **Hilti** originaalmääret. Ebasobiva määride kasutamine võib seadet kahjustada.

5.1.8 Võimsuse seadmine



Võimsust saab reguleerida üksnes siis, kui seade on sisse lülitatud.

Poole võimsuse reguleerimiseks vajutage poole võimsuse nupule. Vähendatud võimsust signaliseerib võimsuse märgutule süttimine. Uus vajutamine poole võimsuse nupule võimsuse nupule lülitab seadme tagasi maksimaalsele puurimisvõimsusele ja võimsuse märgutuli kustub.

Kui seade välja lülitada ja seejärel uuesti sisse lülitada, töötab seade taas täisvõimsusega.

- ▶ Reguleerige võimsus välja.

5.2 Töötamine



HOIATUS

Elektrilöögi oht! Puuduv maandusjuhe ja rikkevoolukaitselüliti võivad kaasa tuua raskeid vigastusi ja põletusi.

- ▶ Veenduge, et ehitusplatsi elektrikaablis (nii võrgu- kui generaatoritoite puhul) on alati olemas ja ühendatud maandusjuhe ja rikkevoolukaitselüliti.
- ▶ Ilma nende ohutusnõueteta ärge toodet tööle rakendage.



HOIATUS

Kahjustatud toitejuhe on ohtlik! Kui töötamisel saab toite- või pikendusjuhe kahjustada, lahtuage seade ja juhe võrgust kohe lahti. Defektset kohta ärge puudutage!

- ▶ Kontrollige regulaarselt kõiki ühendusjuhtmeid. Defektsed pikendusjuhtmed vahetage välja.


Kooskõlastage kõik tööd projektijuhiga!

5.2.1 Löögita puurimine



Löögita puurimine on võimalik spetsiaalse kinnitusega tarvikute abil. Sellised tarvikud leiате **Hilti** tarvikute valikust.

Kiirkinnituse abil saab seadmesse kinnitada näiteks silindrilise sabaga puidupuure või metallipuure ja löögita puurida.

- ▶ Seadke töörežiimilüliti asendisse .

5.2.2 Löökpuurimine

- ▶ Seadke töörežiimilüliti asendisse .

5.2.3 Meisli positsioneerimine



ETTEVAATUST

Vigastuste oht! Meisli üle kontrolli kaotamine.

- ▶ Ärge töötage asendis "meisli positsioneerimine". Seadke ja fikseerige töörežiimilüliti asendisse "meiseldamine".



Meislit saab lukustada 24 eri asendisse (15° sammuga). Nii on lapik- ja profiilmeislitega võimalik alati töötada optimaalses tööasendis.

- ▶ Seadke töörežiimilüliti asendisse .

5.2.4 Meiseldamine

- ▶ Seadke töörežiimilüliti asendisse .



6 Hooldus ja korrashoid

HOIATUS

Elektrilöögi oht! Seadme hooldus- ja korrashoiutööd toitevõrku ühendatud toitepistikuga võivad põhjustada raskeid vigastusi ja põletusi.

- ▶ Tõmmake toitepistik pistikupesast välja iga kord enne hooldus- ja korrashoiutööde tegemist!

Hooldus

- Eemaldage kõvasti kinni olev mustus ettevaatlikult.
- Puhastage ventilatsiooniavad ettevaatlikult kuiva harjaga.
- Puhastage korpust kergelt niiske lapiga. Ärge kasutage silikooni sisaldavaid hooldusvahendeid, sest need võivad kahjustada seadme plastdetaila.

Korrashoid

HOIATUS

Elektrilöögi oht! Elektridetailide asjatundmatu parandamine võib kaasa tuua raskeid vigastusi ja põletusi.

- ▶ Elektridetailide tohivad parandada ainult elektriala asjatundjad.
- Kontrollige regulaarselt, kas kõik nähtavad osad on terved ja kas juhtelemendid toimivad veatult.
- Kahjustuste ja/või tõrgete korral ei tohi seadet kasutada. Laske tööriist kohe **Hilti** hooldekeskuses parandada.
- Pärast hooldus- ja korrashoiutööd paigaldage kõik kaitseseadised ja kontrollige nende toimivust.



Tööohutuse tagamiseks kasutage ainult originaalvaruosi ja -materjale. Teie tootega sobivaid ja meie poolt heakskiidetud varuosad, materjalid ja tarvikud leiate kauplusest **Hilti Store** või veebilehelt: www.hilti.group.

6.1 Tolmukaitsekatte puhastamine

- ▶ Puhastage padruni tolmukaitsekate regulaarselt puhta kuiva lapiga.
- ▶ Pühkige tihend ettevaatlikult puhtaks ja määrige seda kergelt **Hilti** määrdega.
- ▶ Kui tihend on kahjustatud, tuleb tolmukaitsekate välja vahetada.

7 Transport ja ladustamine

- Ärge transportige elektrilist tööriista, millesse on paigaldatud tarvik.
- Enne elektrilise tööriista hoiulepanekut tõmmake toitepistik pistikupesast välja.
- Hoidke seadet kuivas kohas, mis on lastele ja kõrvalistele isikutele ligipääsmatu.
- Pärast pikemat transporti või ladustamist kontrollige tööriista vigastuste suhtes.

8 Abi tõrgete puhul

Kui peaks esinema tõrge, mida ei ole järgmises tabelis nimetatud või mida Te ei suuda ise kõrvaldada, pöörduge **Hilti** hooldekeskusse.

8.1 Veotsing

Tõrge	Võimalik põhjus	Lahendus
Seade ei käivitu.	Vooluvarustus katkenud.	▶ Ühendage vooluvõrku mõni teine elektriseade ja kontrollige, kas see töötab.
	Generaator on ooterežiimil (Sleep Mode).	▶ Kasutage generaatorit mõne teise tarvitiga (nt ehitusplatsil kasutatav lamp). Lülitage seejärel seade välja ja uuesti sisse.
	Elektrooniline käivitustõkis on pärast voolukatkestust aktiveerunud.	▶ Lülitage seade välja ja uuesti sisse.



Tõrge	Võimalik põhjus	Lahendus
Seade ei käivitu.	Pistikühendusega võrgujuhe ei ole korrektselt ühendatud.	▶ Ühendage pistikühendusega võrgujuhe elektrilise tööriista külge korrektselt.
	Grafiitharjad on kulunud.	▶ Laske kontrollida ja vajadusel vahetada elektriala asjatundjal.
Puudub löögifunktsioon.	Seade on liiga külm.	▶ Asetage seade pinnale ja laske sellel töötada tühikäigul. Vajaduse korral korrake, kuni löögimehhanism hakkab tööle.
Seade ei tööta täisvõimsusel.	Pikendusjuhe on liiga pikk /või liiga väikese ristlõikega.	▶ Kasutage ettenähtud pikkuse ja/või piisava ristlõikega pikendusjuhet.
	Juhtlüli ei ole lõpuni alla vajutatud.	▶ Vajutage juhtlüli lõpuni alla.
	Liiga madal voolupinge.	▶ Ühendage seade teise vooluvõrguga.
	Poole võimsuse nupp on sisse lülitatud.	▶ Vajutage poole võimsuse nupule.
Puur ei pöörle.	Tööriimilüli ei ole kohale fikseerunud või on asendis "Meiseldamine" T või "Meisli positsioneerimine" ↺T .	▶ Viige töörežiimilüli seisval seadmel asendisse "Löökpüürimine" ↺T .
Puuri ei saa eemaldada.	Padrun ei ole täielikult tagasi tõmmatud.	▶ Tõmmake padrun lõpuni tagasi ja võtke tarvik välja.
	Lisakäepide ei ole korrektselt monteeritud.	▶ Vabastage lisakäepide ja monteeri see õigesti, nii et kinnitusriba ja lisakäepide fikseeruvad süvendisse.
Puuri kinnikiilumise korral lülitub seade välja.	Elektroniline kaitseseadis on aktiveeritud, et vältida järgmisi kinnikiilumisi.	▶ Vabastage puur.
Hooldusnäit vilgub.	Seade on kahjustatud.	▶ Laske seade Hilti hooldekeskuses parandada.
Hooldusnäit põleb.	Grafiitharjad on kulunud.	▶ Laske kontrollida ja vajadusel vahetada elektriala asjatundjal.

9 Utiliseerimine

Hilti seadmed on suures osas valmistatud taaskasutatavatest materjalidest. Taaskasutuse eelduseks on materjalide korralik sorteerimine. Paljudes riikides kogub **Hilti** kasutusressursi ammendanud seadmed kokku. Lisateavet saate **Hilti** müügiesindusest.



- ▶ Ärge visake kasutusressursi ammendanud elektrilisi tööriistu, elektroonikaseadmeid ja akusid olmejäätmete hulka!

10 RoHS (direktiiv ohtlike ainete kasutamise piirangute kohta)

Järgmiselt lingilt leiate ohtlike ainete tabeli: qr.hilti.com/r6851673.

RoHS-tabeli juurde viiva lingi leiate käesoleva dokumendi lõpust QR-koodina.

11 Tootja garantii

- ▶ Kui Teil on küsimusi garantiitingimuste kohta, pöörduge **Hilti** müügiesindusse.



Originālā lietošanas instrukcija

1 Informācija par dokumentāciju

1.1 Par šo dokumentāciju

- Pirms ekspluatācijas sākšanas obligāti izlasiet šo dokumentāciju. Tas ir priekšnoteikums darba drošībai un izstrādājuma lietošanai bez traucējumiem.
- Ievērojiet drošības norādījumus un brīdinājumus, kas atrodami šajā dokumentācijā un uz izstrādājuma.
- Vienmēr glabājiet lietošanas instrukciju izstrādājuma tuvumā un nododiet to kopā ar izstrādājumu, ja tas tiek nodots citām personām.

1.2 Apzīmējumu skaidrojums

1.2.1 Brīdinājumi

Brīdinājumi pievērš uzmanību bīstamībai, kas pastāv, strādājot ar izstrādājumu. Tiek lietoti šādi signālvārdi:

BĪSTAMI!

BĪSTAMI! !

- ▶ Pievērš uzmanību draudošām briesmām, kas var izraisīt smagus miesas bojājumus vai nāvi.

BRĪDINĀJUMS!

BRĪDINĀJUMS! !

- ▶ Pievērš uzmanību iespējamam apdraudējumam, kas var izraisīt smagas traumas vai pat nāvi.





IEVĒROT PIESARDZĪBU!

UZMANĪBU! !

- ▶ Norāda uz iespējami bīstamām situācijām, kas var izraisīt traumas vai materiālos zaudējumus.





1.2.2 Dokumentācijā lietotie simboli

Šajā dokumentācijā tiek lietoti šādi simboli:

	Pirms lietošanas izlasiet instrukciju
	Norādījumi par lietošanu un cita noderīga informācija
	Rīcība ar otrreiz pārstrādājamiem materiāliem
	Neizmetiet elektroiekārtas un akumulatorus sadzīves atkritumos.

1.2.3 Attēlos lietotie simboli

Attēlos tiek lietoti šādi simboli:

	Šie skaitļi norāda uz attiecīgajiem attēliem, kas atrodami šīs instrukcijas sākumā.
3	Numerācija attēlos atbilst veicamo darbību secībai un var atšķirties no darbību apraksta tekstā.
	Pozīciju numuri tiek lietoti attēlā Pārskats un norāda uz leģendas numuriem sadaļā Izstrādājuma pārskats .
	Šī simbola uzdevums ir pievērst īpašu uzmanību izstrādājuma lietošanas laikā.
	Strādājot ar iekārtu, valkājiet aizsargcimdus.

1.3 Simboli atkarībā no izstrādājuma

1.3.1 Simboli uz izstrādājuma

Uz izstrādājuma var tikt lietoti šādi simboli:



V	Volti
A	Ampēri
Hz	Herci
/min	Apgriezienu skaits minūtē
RPM	Apgriezienu skaits minūtē
∅	Diametrs
~	Mainstrāva
	Aizsardzības klase II (divkārša izolācija)
	Izstrādājums atbalsta bezvadu datu pārseni, kas ir saderīga ar iOS un Android platformām.

1.4 Izstrādājuma informācija

izstrādājumi ir paredzēti profesionāliem lietotājiem, un to darbināšanu, apkopi un tehniskā stāvokļa uzturēšanu drīkst veikt tikai kvalificēts, atbilstīgi apmācīts personāls. Personālam ir jābūt labi informētam par iespējamajiem riskiem, kas var rasties darba laikā. Izstrādājums un tā papildaprīkojums var radīt bīstamas situācijas, ja to uztic neprofesionālam personālam vai nelieto atbilstīgi nosacījumiem.

Iekārtas tipa apzīmējums un sērijas numurs ir norādīti uz identifikācijas datu plāksnītes.

- ▶ Ierakstiet sērijas numuru zemāk redzamajā tabulā. Izstrādājuma dati jānorāda, vēršoties mūsu pārstrāvēniecībā vai servisā.

Izstrādājuma dati

Kombinētais perforators	TE 70-ATC/AVR
Paaudze	04
Sērijas Nr.	

1.5 Atbilstības deklarācija

Uzņemoties pilnu atbildību, mēs apliecinām, ka šeit aprakstītais izstrādājums atbilst šādām direktīvām un standartiem: Atbilstības deklarācijas attēls ir atrodams šīs dokumentācijas beigās.

Tehniskā dokumentācija ir saglabāta šeit:

Hilti Entwicklungsgesellschaft mbH | Zulassung Geräte | Hiltistraße 6 | 86916 Kaufering, DE

2 Drošība

2.1 Vispārīgi drošības norādījumi par darbu ar elektroiekārtām

⚠ BRĪDINĀJUMS! Iepazīstieties ar visiem drošības norādījumiem, instrukcijām, attēliem un tehniskajiem parametriem, kas attiecas uz šo elektroiekārtu. Turpmāk izklāstīto instrukciju neievērošana var izraisīt elektrošoku, ugunsgrēku un/vai nopietnas traumas.

Saglabājiet visus drošības norādījumus un instrukcijas turpmākai lietošanai.

Drošības norādījumos lietotais apzīmējums "elektroiekārta" attiecas uz iekārtām ar tīkla barošanu (ar barošanas kabeli) vai iekārtām ar barošanu no akumulatora (bez kabeļa).

Drošība darba vietā

- ▶ **Uzturiet darba vietā tīrību un kārtību un nodrošiniet labu apgaismojumu.** Nekārtīgā darba vietā vai sliktā apgaismojumā var viegli notikt nelaimes gadījums.
- ▶ **Nestrādājiet ar elektroiekārtu sprādzienbīstamā vidē, kur atrodas uzliesmojoši šķidrums, gāzes vai putekļi.** Darbības laikā elektroiekārtas mēdz dzirkstēļot, un tas var izraisīt viegli uzliesmojošu putekļu vai tvaiku aizdegšanos.
- ▶ **Lietojot elektroiekārtu, nelaujiet nepiederošām personām un jo īpaši bērniem tuvoties darba vietai.** Citu personu klātbūtne var novērst uzmanību, un tā rezultātā jūs varat zaudēt kontroli pār iekārtu.



Elektrodrošība

- ▶ **Elektroiekārtas kontaktdakšai jāatbilst elektrotīkla kontaktligzdai. Kontaktdakšas konstrukciju nedrīkst nekādā veidā mainīt. Kopā ar elektroiekārtām, kurām ir aizsargzemējums, nedrīkst lietot adapteru spraudņus.** Neizmaiņātas konstrukcijas kontaktdakša, kas atbilst kontaktligzdai, ļauj samazināt elektrošoka risku.
- ▶ **Darba laikā nepieskarieties sazēmētiem priekšmetiem, piemēram, caurulēm, radiatoriem, plītvīm vai ledusskapjiem.** Pieskaroties sazēmētām virsmām, pieaug risks saņemt elektrisko triecienu.
- ▶ **Nelietojiet elektroiekārtu lietus laikā, nēturiet to mitrumā.** Mitrumam iekļūstot elektroiekārtā, pieaug risks saņemt elektrisko triecienu.
- ▶ **Nenesiet un nepakariniet elektroiekārtu aiz barošanas kabeļa un neraujiet aiz kabeļa, ja vēlaties atvienot iekārtu no elektrotīkla kontaktligzdas. Sargājiet barošanas kabeli no karstuma, eļļas, asām šķautnēm vai kustīgām detaļām.** Bojāts vai sapīņķerējis barošanas kabelis var kļūt par cēloni elektrošokam.
- ▶ **Darbinot elektroiekārtu ārpus telpām, izmantojiet tās pievienošanai vienīgi tādus pagarinātājkabeļus, kas ir paredzēti lietošanai brīvā dabā.** Lietojot elektrokabeļus, kas ir piemērots darbam ārpus telpām, samazinās elektrošoka risks.
- ▶ **Ja elektroiekārtas izmantošana slapjā vidē ir obligāti nepieciešama, lietojiet bojājumstrāvas aizsargslēdzi.** Bojājumstrāvas aizsargslēdža lietošana samazina elektrošoka risku.

Personiskā drošība

- ▶ **Strādājiet ar elektroiekārtu uzmanīgi, darba laikā saglabājiet paškontroli un rīkojieties saskaņā ar veseloto saprātu. Ar elektroiekārtu nedrīkst strādāt personas, kas ir nogurušas vai atrodas narkotiku, alkohola vai medikamentu ietekmē.** Mirkļis neuzmanības, strādājot ar elektroiekārtu, var novest pie nopietnām traumām.
- ▶ **Izmantojiet individuālos aizsardzības līdzekļus un darba laikā vienmēr valkājiet aizsargbrilles.** Individuālo aizsardzības līdzekļu (putekļu aizsargmaskas, neslīdošu apavu un aizsargķiveres vai ausu aizsargu) lietošana atbilstoši elektroiekārtas tipam un veicamā darba raksturam ļauj izvairīties no savainojumiem.
- ▶ **Nepieļaujiet iekārtas nekontrolētas ieslēgšanās iespēju. Pirms pievienošanas elektrotīklam, akumulatora ievietošanas, elektroiekārtas satveršanas vai pārvietošanas pārliecinieties, ka tā ir izslēgta.** Ja iekārtas pārvietošanas laikā pirksts atrodas uz slēdža vai ja ieslēgta iekārta tiek pievienota elektrotīklam, var notikt nelaimes gadījums.
- ▶ **Pirms elektroiekārtas ieslēgšanas jānoņem visi regulēšanas piederumi un uzgriežņu atslēgas.** Regulēšanas piederumi vai uzgriežņu atslēga, kas iekārtas ieslēgšanas brīdī atrodas iekārtā, var radīt traumas.
- ▶ **Izvairieties no nedabiskām pozām. Darba laikā vienmēr saglabājiet līdzsvaru un nodrošinieties pret paslīdēšanu.** Tas atvieglos elektroiekārtas vadību neparedzētās situācijās.
- ▶ **Izvēlieties darbam piemērotu apģērbu. Darba laikā nenēsājiet brīvi plandošas drēbes un rotaslietas. Netuviniet matus, apģērbu un aizsargcimdus iekārtas kustīgajām daļām.** Vaļīgas drēbes, rotaslietas un gari mati var ieķerties iekārtas kustīgajās daļās.
- ▶ **Ja elektroiekārtas konstrukcija ļauj pievienot putekļu nosūkšanas vai savākšanas ierīci, sekojiet, lai tā būtu pievienota un tiktu darbināta pareizi.** Putekļu nosūcēja lietošana samazina putekļu kaitīgo ietekmi.
- ▶ **Nezaudējiet modrību un neatkāpieties no elektroiekārtu lietošanas drošības noteikumu ievērošanas arī tad, ja lietojat attiecīgo elektroiekārtu bieži un kārtīgi to pārzināt.** Neuzmanība vienā sekundes daļā var novest pie smagām traumām.

Elektroiekārtas lietošana un apkope

- ▶ **Nepārslogojiet elektroiekārtu. Katram darbam izvēlieties piemērotu iekārtu.** Elektroiekārta darbosies labāk un drošāk pie nominālās slodzes.
- ▶ **Nelietojiet elektroiekārtu, ja ir bojāts tās slēdzis.** Elektroiekārta, ko nevar ieslēgt un izslēgt, ir bīstama un nekavējoties jānodod remontā.
- ▶ **Pirms iestatījumu veikšanas, aprīkojuma daļu nomaiņas vai iekārtas novietošanas uzglabāšanā atvienojiet kontaktdakšu no elektrotīkla un/vai noņemiet noņemamo akumulatoru.** Šādi jūs novērsīsiet elektroiekārtas nejaušas ieslēgšanās risku.
- ▶ **Elektroiekārtu, kas netiek darbināta, uzglabājiet piemērotā vietā. Neļaujiet lietot iekārtu personām, kas nav iepazīnušas ar tās funkcijām un izlasījušas šo lietošanas instrukciju.** Ja elektroiekārtu lieto nekompetentas personas, tas var apdraudēt cilvēku veselību.
- ▶ **Rūpīgi veiciet elektroiekārtu un to piederumu apkopi. Pārbaudiet, vai kustīgās daļas darbojas bez traucējumiem un neķeras un vai kāda no daļām nav salauzta vai bojāta un tādējādi netraucē elektroiekārtas nevainojamu darbību. Rauģieties, lai pirms iekārtas lietošanas tiktu nomainītas**



vai saremontētas bojātās daļas. Daudzi nelaiemes gadījumi notiek tāpēc, ka elektroiekārtām nav nodrošināta pareiza apkope.

- ▶ **Griezējinstrumentiem vienmēr jābūt uzasinātiem un tīriem.** Rūpīgi kopti griezējinstrumenti ar asām šķautnēm retāk iestrēgst un ir vieglāk vadāmi.
- ▶ **Lietojiet elektroiekārtu, piederumus, maināmos instrumentus utt. saskaņā ar šiem norādījumiem. Jāņem vērā arī konkrētie darba apstākļi un veicamās operācijas īpatnības.** Elektroiekārtu lietošana citiem mērķiem, nekā to ir paredzējis ražotājs, ir bīstama un var izraisīt neparedzamas sekas.
- ▶ **Raugieties, lai rokturu un satveršanas virsmas būtu sausas, tīras, nenotraipītas ar eļļu un smērvielām.** Ja rokturu vai satveršanas virsmas ir slidenas, nav iespējama droša elektroiekārtas vadība un kontrole neparedzamās situācijās.

Service

- ▶ **Uzdodiet elektroiekārtas remontu veikt tikai kvalificētam personālam, kas izmanto vienīgi oriģinālās rezerves daļas.** Tikai tā ir iespējams saglabāt elektroiekārtas funkcionālo drošību.

2.2 Drošības noteikumi darbam ar perforatoriem

Drošības norādījumi visiem darbiem

- ▶ **Lietojiet dzirdes aizsargaprīkojumu.** Trokšņa iedarbība var izraisīt dzirdes zudumu.
- ▶ **Lietojiet kopā ar iekārtu piegādātos papildu rokturus.** Kontroles zudums var kļūt par cēloni traumām.
- ▶ **Pirms lietošanas kārtīgi atbalstiet elektroiekārtu.** Šī elektroiekārta rada lielu griezes momentu. Ja elektroiekārta darbības laikā nav droši atbalstīta, ir iespējams kontroles zudums un trauma rašanās.
- ▶ **Ja pastāv iespēja, ka instruments var skart apslēptus elektriskos vadus vai pašas iekārtas barošanas kabeļi, iekārta vienmēr jātur aiz izolētajām rokturu virsmām.** Saskaroties ar spriegumam pieslēgtiem vadiem, spriegums tiek novadīts uz iekārtas metāla daļām, radot elektrošoka risku.

Drošības norādījumi darbam ar gariem urbjiem

- ▶ **Vienmēr sāciet urbšanas procesu ar mazāku apgriezību skaitu un tikai tad, kad urbis atrodas saskarē ar apstrādājamo materiālu.** Lielāka rotācijas ātruma gadījumā urbis, griežoties bez saskares ar apstrādājamo materiālu, var viegli saliekties un izraisīt traumas.
- ▶ **Nespiediet urbi ar pārāk lielu spēku un raugieties, lai spiedienu tiktu izdarīts tikai urbja aksiālajā virzienā.** Urbji var viegli saliekties un salūzt vai izraisīt kontroles zudumu un traumas.

2.3 Papildnorādījumi par perforatora drošību

Personīgā drošība

- ▶ Lietojiet izstrādājumu tikai tad, ja tas ir tehniski nevainojamā stāvoklī.
- ▶ Nekādā gadījumā nemēģiniet ietekmēt iekārtas funkcijas vai to pārveidot.
- ▶ Lietojiet kopā ar iekārtu piegādātos papildu rokturus. Kontroles zudums var kļūt par cēloni traumām.
- ▶ Pirms laušanas vai urbšanas darbiem, kas šķērso celtnes daļas, atbilstoši jānodrošina attiecīgās celtnes daļas pretējā puse. Atlūzuši materiāla fragmenti var izkrist caur atveri un/vai nokrist un savainot cilvēkus.
- ▶ Vienmēr turiet iekārtu ar abām rokām aiz tam paredzētajiem rokturiem. Raugieties, lai rokturi vienmēr būtu sausi un tīri.
- ▶ Ja darba laikā pastāv iespēja, ka instruments var nonākt saskarē ar apslēptiem elektriskajiem vadiem, vienmēr satveriet iekārtu aiz izolētajām rokturu virsmām. Saskaroties ar spriegumam pieslēgtiem vadiem, spriegums tiek novadīts uz iekārtas metāla daļām, radot elektrošoka risku.
- ▶ Izvairieties no saskares ar rotējošām daļām. Trauma risks!
- ▶ Iekārtas lietošanas laikā valkājiet piemērotas aizsargbrilles, aizsargķiveri, ausu aizsargus, kā arī vieglu elpceļu aizsardzības aprīkojumu.
- ▶ Arī instrumenta maiņas laikā valkājiet aizsargcimdus. Saskaņā ar maināmo instrumentu var izraisīt grieztas traumas un apdegumus.
- ▶ Valkājiet aizsargbrilles vai masku. Materiāla šķembas var savainot ķermeni un acis.
- ▶ Pirms darba sākšanas noskaidrojiet darba laikā radušos putekļu bīstamības kategoriju. Lietojiet celtniecības putekļsūcēju ar oficiālas sertifikācijas ietvaros piešķirtu drošības klasifikāciju, kas atbilst vietējiem putekļu ietekmes ierobežošanas normatīviem. Putekļi, ko rada tādi materiāli kā, piemēram, svīnu saturoša krāsa, dažādi koksnes veidi, betons / mūrīši / kvarcu saturoši akmeņi, minerāli un metāls, var būt kaitīgi veselībai.
- ▶ Nodrošiniet darba vietā labu ventilāciju un, ja nepieciešams, valkājiet elpceļu aizsargmasku, kas aizsargā pret attiecīgā veida putekļiem. Saskaņā ar šiem putekļiem vai to ieelpošana var izraisīt lietotāja vai citu tuvumā esošo personu alerģiskas reakcijas un/vai elpceļu saslimšanas. Noteikti putekļu veidi, piemēram, ozola un skābarža koksnes putekļi, tiek uzskatīti par kancerogēniem – sevišķi kopā ar kokapstrādē



izmantojamām vielām (hromātiem, koksnes aizsarglīdzekļiem). Ažbestu saturošus materiālus drīkst apstrādāt tikai kompetenti speciālisti.

- ▶ Darba pārtraukumos veiciet pirkstu vingrinājumus, kas uzlabo asinsriti. Ilgstoša darba gadījumā vibrācija var radīt traucējumus pirkstu, roku vai plaukstu locītavu asinsvadu un nervu sistēmas funkcijās.

Elektrodrošība

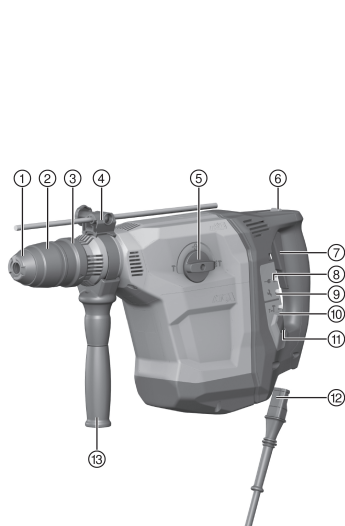
- ▶ Pirms darba sākšanas pārbaudiet, vai darba zonā neatrodas neseģti elektrības vadi, gāzes vai ūdensapgādes caurules. Nejauši sabojājot zem sprieguma esošus vadus, iekārtas ārējās metāla daļas var izraisīt elektrošoku.

Rūpīga elektroiekārtu lietošana un apkope

- ▶ Nekavējoties izslēdziet elektroiekārtu, ja nobloķējas instruments. Iekārta var tikt novirzīta uz sāniem.
- ▶ Nekad nenolieciet elektroiekārtu, kamēr nav pilnībā apstājusies tajā nostiprinātā instrumenta kustība.

3 Apraksts

3.1 Izstrādājuma pārskats



- ① Putekļu aizsargs
- ② Instrumenta patrona
- ③ Instrumenta atbloķēšana
- ④ Dziļuma atdure (papildaprīkojums)
- ⑤ Funkciju pārslēdzējs
- ⑥ Kalta fiksācija
- ⑦ Vadības slēdzis
- ⑧ Funkciju signāls
- ⑨ Servisa indikācija
- ⑩ Nepilnas jaudas indikācija
- ⑪ Nepilnas jaudas slēdzis
- ⑫ Barošanas kabelis ar kodētu, atvienojamu spraudsavienojumu
- ⑬ Sānu rokturis

3.2 Nosacījumiem atbilstīga lietošana

Aprakstītais izstrādājums ir elektriski darbināms kombinētais perforators ar pneimatisku triecienmehānismu. Tas ir paredzēts urbšanai betonā, mūrī, kokā un metālā. Bez tam šo izstrādājumu var lietot arī viegliem līdz vidēji smagiem kalšanas darbiem mūrī un betona virsmu apstrādei.

- ▶ Izstrādājuma darbināšanai drīkst lietot tikai uz identifikācijas datu plāksnītes norādīto spriegumu un frekvenci.

3.3 Iegriežamie enkuri

Izstrādājums ir paredzēts iegriežamo enkuru montāžai. Lietojiet tikai atbilstīgus montāžas instrumentus! Sīkāku informāciju jūs varat saņemt vietējā **Hilti** servisa centrā.



3.4 Varbūtēja nepareiza lietošana

- Šis izstrādājums nav paredzēts veselībai bīstamu materiālu apstrādāšanai.
- Šis izstrādājums nav paredzēts darbam slapjā vidē.

3.5 Active Vibration Reduction

Izstrādājums ir aprīkots ar sistēmu Active Vibration Reduction (AVR), kas ievērojami samazina vibrāciju.

3.6 ATC

Izstrādājums ir aprīkots ar elektronisku paātrinātas izslēgšanās funkciju ATC (Active Torque Control).

Ja darba instruments nobloķējas vai iestrēgst, izstrādājums pēkšņi un nekontrolēti pagriežas pretējā virzienā. ATC identificē šo pēkšņo pagrieziena kustību un nekavējoties izslēdz izstrādājumu.



Lai izstrādājums darbotos nevainojami, nedrīkst būt traucēta tā rotācija.

Pēc izstrādājuma paātrinātas izslēgšanās izslēdziet un vēlreiz ieslēdziet to.

3.7 Servisa indikācija

Izstrādājumam ir servisa indikācija ar gaismas signālu.

3.7.1 Servisa indikācijas statuss

Statuss	Nozīme
Servisa indikācija deg.	Pienācis laiks servisa darbiem.
Servisa indikācija mirgo.	Nododiet kombinēto perforatoru Hilti servisā, lai veiktu remontu.

3.8 Piegādes komplektācija

Kombinētais perforators, sānu rokturis, lietošanas instrukcija.

Citus šim izstrādājumam izmantojamus sistēmas produktus meklējiet **Hilti Store** vai tīmekļvietnē: www.hilti.group

4 Tehniskie parametri

4.1 Kombinētais perforators



Nominālā sprieguma, nominālās strāvas, frekvences un nominālās ieejas jaudas parametri ir norādīti attiecīgajai valstij paredzētajā identifikācijas datu plāksnītē.

Ja šis iekārtas darbināšanai izmanto ģeneratoru vai transformatoru, tā izejas jaudai jābūt vismaz divreiz lielākai par nominālo ieejas jaudu, kas norādīta uz iekārtas identifikācijas datu plāksnītes. Transformatora vai ģeneratora darba spriegumam vienmēr jābūt iekārtas nominālā sprieguma diapazonā ar pielaidi +5 % vai -15 %.

Svars saskaņā ar EPTA procedūru 01	10 kg
---	-------

4.2 Informācija par troksni un vibrāciju saskaņā ar EN 60745

Šajās instrukcijās norādītie lielumi, kas raksturo skaņas spiedienu un vibrāciju, ir noteikti ar standartizētas mērījumu metodes palīdzību, un tos var izmantot elektroiekārtu savstarpējai salīdzināšanai. Tos var izmantot arī trokšņa un vibrācijas iedarbības pagaidu novērtējumam. Norādītie parametri attiecas uz elektroiekārtas galvenajiem lietošanas veidiem. Taču, ja elektroiekārta tiek izmantota citos nolūkos, ar citiem maināmajiem instrumentiem vai netiek nodrošināta pietiekama tās apkope, parametri var atšķirties no norādītajiem. Tas var ievērojami palielināt trokšņa un vibrācijas iedarbību visā darba laikā. Lai precīzi novērtētu iedarbību, jāņem vērā arī laiks, cik ilgi iekārta ir izslēgta vai ir ieslēgta, taču faktiski netiek darbināta. Tas var būtiski samazināt iedarbību kopējā darba laikā. Jāparedz papildu drošības pasākumi, lai aizsargātu iekārtas lietotāju pret trokšņa un/vai vibrācijas iedarbību, piemēram, elektroiekārtas un maināmo instrumentu apkope, roku turēšana siltumā, darba procesu organizācija.



Skaņas emisijas rādītāji

Skaņas jaudas līmenis (L_{WA})	111 dB(A)
Skaņas jaudas līmeņa pielaide (K_{WA})	3 dB(A)
Skaņas spiediena līmenis (L_{pA})	100 dB(A)
Skaņas spiediena līmeņa pielaide (K_{pA})	3 dB(A)

Kopējie vibrācijas rādītāji

Svārstību emisijas rādītāji triecienurbšanai betonā ($a_{h,HD}$)	8,3 m/s ²
Svārstību emisijas rādītāji kalšanai ($a_{h,Cheq}$)	8 m/s ²
Iespējamā kļūda (K)	1,5 m/s ²

5 Lietošana

5.1 Sagatavošanās darbam

IEVĒROT PIESARDZĪBU!

Traumu risks! Izstrādājuma nekontrolēta iedarbošanās.

- ▶ Atvienojiet barošanas kabeli, pirms veikt iekārtas iestatīšanu vai aprīkojuma maiņu.

Ievērojiet drošības norādījumus un brīdinājumus, kas atrodami šajā dokumentācijā un uz izstrādājuma.

5.1.1 Barošanas kabeļa spraudņa pievienošana

IEVĒROT PIESARDZĪBU!

Traumu risks netīru kontaktu radītās noplūdes strāvas iedarbībā.

- ▶ Veiciet elektrisko spraudkontakta savienošanu ar elektroiekārtu tikai tad, kad kontakti ir tīri, sausi un nav zem sprieguma.

1. Līdz galam iespraudiet kodēto elektriskā savienojuma spraudni izstrādājumā, līdz tas sadzirdami nofiksējas.
2. Ievietojiet kontaktdakšu kontaktlīgdzē.

5.1.2 Barošanas kabeļa atvienošana no elektroiekārtas

1. Atvienojiet iekārtu no elektrotīkla.
2. Nospiediet bloķēšanas taustiņu un izvelciet kodēto elektriskā savienojuma spraudni no ligzdas.
3. Izvelciet barošanas kabeli no iekārtas.

5.1.3 Sānu roktura montāža

IEVĒROT PIESARDZĪBU!

Traumu risks! Risks zaudēt kontroli pār kombinēto perforatoru.

- ▶ Pārliecinieties, vai sānu rokturis ir piemontēts pareizi un kārtīgi nostiprināts. Raugieties, lai fiksācijas saite vienmēr atrastos tai paredzētajā iekārtas rievā.

1. Pagrieziet rokturi, lai atbrīvotu sānu roktura turētāju (fiksācijas lenti).
2. No priekšpuses uzbīdiet turētāju (fiksācijas lenti) pāri instrumenta patronai līdz tam paredzētajai rievai.
3. Novietojiet sānu rokturi nepieciešamajā pozīcijā.
4. Pagrieziet rokturi, lai nospriegotu sānu roktura turētāju (fiksācijas lenti).

5.1.4 Dzijuma atdures (papildaprīkojums) montāža

1. Pagrieziet rokturi, lai atbrīvotu sānu roktura turētāju (fiksācijas lenti).
2. No priekšpuses iebīdiet dziļuma atduri šim nolūkam paredzētajās 2 vadotnes atverēs.
3. Pagrieziet rokturi, lai nospriegotu sānu roktura turētāju (fiksācijas lenti).

5.1.5 Vadības slēdža bloķēšana



Kalšanas režīmā vadības slēdzi ir iespējams nofiksēt ieslēgtā stāvoklī.



- ▶ Nospiediet vadības slēdža bloķētāju.

5.1.6 Instrumenta ievietošana



Nepiemērotas smērvielas lietošana var izraisīt izstrādājuma bojājumus. **Lietojiet tikai oriģinālās Hilti smērvielas.**

1. Viegli ieziediet maināma instrumenta galu ar smērvielu.
 - ▶ Lietojiet tikai oriģinālās **Hilti** smērvielas. Neatbilstīgas smērvielas var izraisīt izstrādājuma bojājumus.
2. Līdz galam ievietojiet maināmo instrumentu patronā un ļaujiet tam nofiksēties.
3. Pēc instrumenta ievietošanas pavelciet to, lai pārbaudītu, vai tas ir droši nofiksēts.
 - ▶ Izstrādājums ir gatavs lietošanai.

5.1.7 Instrumenta izņemšana

- ▶ Līdz galam atvelciet maināmā darba instrumenta fiksācijas patronu un izņemiet instrumentu.



Lietojiet tikai oriģinālās **Hilti** smērvielas. Nepiemērotas smērvielas lietošana var izraisīt izstrādājuma bojājumus.

5.1.8 Jaudas iestatīšana



Jaudas iestatīšana ir iespējama tikai tad, kad iekārta ir ieslēgta darba stāvoklī.

Lai iestatītu pusi jaudas, nospiediet taustiņu "Nepilna jauda". Par samazināto jaudu informē jaudas indikācijas iedegšanās. Vēlreiz nospiežot taustiņu "Nepilna jauda", iekārta pārslēdzas atpakaļ uz pilnu jaudu un jaudas indikācija nodziest.

Pēc izstrādājuma izslēgšanas un atkārtotas ieslēgšanas atkal tiek atjaunots pilnas jaudas iestatījums.

- ▶ Iestatiet jaudu.

5.2 Darbs



BRĪDINĀJUMS!

Elektrošoka risks! Ja nav instalēts zemējuma vads vai bojājumstrāvas aizsargslēdzis, iespējamās smagas traumas un apdegumi.

- ▶ Vienmēr pārbaudiet, vai objekta elektroapgādē, kas tiek nodrošināta no elektrotīkla vai generatora, ir instalēts un pievienots zemējuma vads un bojājumstrāvas aizsargslēdzis.
- ▶ Nesāciet nevienu iekārtas lietošanu, ja nav veikti šie drošības pasākumi.



BRĪDINĀJUMS!

Bojāta kabeļa izraisīts apdraudējums! Ja darba laikā tiek sabojāts barošanas kabelis vai pagarinātājkabelis, nekavējoties atvienojiet iekārtu un kabeli no elektrotīkla. Nepieskarieties bojājuma vietai!

- ▶ Regulāri pārbaudiet pieslēguma kabeļus. Nomainiet bojātos pagarinātājkabeļus.

Saņemiet visu darbu veikšanai apstiprinājumu no būvdarbu vadības!

5.2.1 Urbšana bez triecienu funkcijas



Urbšana bez triecieniem ir iespējama, izmantojot instrumentus ar īpašu iespraužamo galu. Šādi instrumenti tiek piedāvāti **Hilti** instrumentu sortimenta ietvaros.

Ātrdarbības patronā var nofiksēt, piemēram, koka urbjus vai tērauda urbjus, un veikt urbšanu bez triecieniem.

- ▶ Iestatiet funkciju pārslēdzēju šādā pozīcijā: .

5.2.2 Urbšana ar triecieniem (triecienurbšana)

- ▶ Iestatiet funkciju pārslēdzēju šādā pozīcijā: .



5.2.3 Kalta pozicionēšana

IEVĒROT PIESARDZĪBU!

Traumu risks! Risks zaudēt kontroli pār kalšanas virzienu.

- ▶ Nestrādājiet režīmā "Kalta pozicionēšana". Iestatiet funkciju pārslēdzēju pozīcijā "Kalšana" tā, lai tas nofiksējas.



Kaltu iespējams novietot 24 dažādās pozīcijās (ar 15° soli). Pateicoties tam, ar plakano kaltu un profila kaltu vienmēr var strādāt optimālā darba pozīcijā.

- ▶ Iestatiet funkciju pārslēdzēju šādā pozīcijā:

5.2.4 Kalšana

- ▶ Iestatiet funkciju pārslēdzēju šādā pozīcijā:

6 Apkope un uzturēšana

BRĪDINĀJUMS!

Elektriskā trieciena risks! Apkopes un remonta darbu veikšana, neatvienojot iekārtu no elektrotīkla, var izraisīt smagas traumas un apdegumus.

- ▶ Pirms jebkādiem apkopes un remonta darbiem vienmēr atvienojiet tīkla kontaktdakšu!

Kopšana

- Uzmanīgi jānotīra pielīpušie netīrumi.
- Uzmanīgi jāiztīra ventilācijas atveres ar sausu birstīti.
- Korpusa tīrīšanai jālieto tikai nedaudz samitrināta drāniņa. Nedrīkst lietot silikonu saturošus kopšanas līdzekļus, kas var sabojāt plastmasas daļas.

Uzturēšana

BRĪDINĀJUMS!

Elektrošoka risks! Neprofesionāli veikts elektrisko daļu remonts var kļūt par cēloni smagām traumām un apdegumiem.

- ▶ Elektrisko daļu labošanu var veikt tikai elektrības nozares speciālisti.
- Regulāri pārbaudiet visas redzamās daļas, lai pārliecinātos, ka tās nav bojātas un funkcionē nevainojami.
- Bojājumu un/vai funkciju traucējumu gadījumā izstrādājumu nedrīkst lietot. Tas nekavējoties jānodod **Hilti**, lai veiktu remontu.
- Pēc apkopes un remonta darbiem visas aizsargierīces jāpiemontē vietā un jāpārbauda, vai tās darbojas.



Lai iekārtas lietošana būtu droša, izmantojiet tikai oriģinālās rezerves daļas un patērīna materiālus. Rezerves daļas un patērīna materiālus, kuru lietošanu kopā ar šo iekārtu mēs akceptējam, var atrast **Hilti Store** vai tīmekļvietnē. www.hilti.group.

6.1 Putekļu aizsarga tīrīšana

- ▶ Putekļu aizsargs, kas atrodas pie instrumenta patronas, jānotīra ar tīru un sausu drāniņu.
- ▶ Blīvējuma apmale uzmanīgi jānotīra un viegli jāieziež ar **Hilti** smērvielu.
- ▶ Ja blīvējuma apmale ir bojāta, putekļu aizsargs obligāti jānomaina.

7 Transportēšana un uzglabāšana

- Netransportējiet elektroiekārtu ar tajā ievietotu darba instrumentu.
- Glabāšanas laikā elektroiekārtas barošanas kabeļa kontaktdakšai vienmēr jābūt atvienotai.
- Glabājiet iekārtu sausā vietā, kas nav pieejama bērniem.
- Pirms atsākt iekārtas lietošanu pēc ilgās transportēšanas vai uzglabāšanas, pārbaudiet, vai tā nav bojāta.



8 Traucējumu novēršana

Ja iekārtas darbībā ir radušies traucējumi, kas nav uzskaitīti šajā tabulā vai ko jums neizdodas novērst saviem spēkiem, lūdzu, meklējiet palīdzību mūsu **Hilti** servisā.

8.1 Traucējumu diagnostika

Traucējums	Iespējamais iemesls	Risinājums
Iekārtu nevar iedarbināt.	Pārtraukta tīkla elektroapgāde.	▶ Pievienojiet citu elektroiekārtu un pārbaudiet, vai tā darbojas.
	Ģenerators atrodas gaidīšanas režīmā.	▶ Radiet ģeneratora noslodzi ar cita patērētāja (piemēram, būvniecības lampas) palīdzību. Pēc tam izslēdziet un vēlreiz ieslēdziet izstrādājumu.
	Pēc sprieguma padeves pārtraukuma ir aktivēta elektroniskā ieslēgšanās bloķēšana.	▶ Izslēdziet un vēlreiz ieslēdziet iekārtu.
	Nav kārtīgi pievienots barošanas kabeļa spraudnis.	▶ Kārtīgi pievienojiet barošanas kabeli elektroiekārtai.
	Nodilušas oglītes.	▶ Jāuzdod veikt pārbaudi un eventuāli nepieciešamo nomaiņu elektrotehnikas speciālistam.
Nav triecienu funkcijas.	Izstrādājums ir pārāk auksts.	▶ Novietojiet izstrādājumu uz virsmas un padarbiniet to tukšgaitā. Ja nepieciešams atkārtojiet šo procesu, līdz triecienmehānisms iedarbojas.
Izstrādājums nedarbojas ar pilnu jaudu.	Pagarinātājkabelis ir pārāk garš un / vai ar nepietiekamu šķērsgriezumu.	▶ Jālieto pieļaujamā garuma pagarinātājkabelis ar pietiekami lielu šķērsgriezumu.
	Vadības slēdzis nav nospiests līdz galam.	▶ Līdz galam nospiediet vadības slēdzi.
	Elektroapgādē nepietiekams spriegums.	▶ Pievienojiet izstrādājumu citam sprieguma avotam.
	Nospiests taustiņš "Nepilna jauda".	▶ Jānospiež taustiņš "Nepilna jauda".
Urbsis negriežas.	Funkciju pārslēdzējs nav nofiksējis vai atrodas pozīcijā "Kalšana" T vai pozīcijā "Kalta pozicionēšana" ↺ .	▶ Kad iekārta ir izslēgta, iestatiet funkciju pārslēdzēju pozīcijā "Triecienubūšana" ⚡ .
Urbi nevar atbrīvot no fiksācijas.	Patronas fiksācija nav pilnībā atvilkta atpakaļ.	▶ Līdz galam atvelciet atpakaļ instrumenta fiksācijas mehānismu un izņemiet instrumentu.
	Nav pareizi piemontēts sānu rokturis.	▶ Atbrīvojiet sānu rokturi un piemontējiet to pareizi – tā, lai fiksācijas lente un sānu rokturis būtu nofiksēti padziļinājumā.
Ja urbis iestrēgst, izstrādājums izslēdzas.	Lai nepieļautu turpmāku iestrēgšanu, ir iedarbojies elektroniskā aizsargierīce.	▶ Atbrīvojiet urbi.
Servisa indikācija mirgo.	Izstrādājums ir bojāts.	▶ Nododiet izstrādājumu Hilti servisā, lai veiktu remontu.
Servisa indikācija deg.	Nodilušas oglītes.	▶ Jāuzdod veikt pārbaudi un eventuāli nepieciešamo nomaiņu elektrotehnikas speciālistam.



9 Nokalpojušo iekārtu utilizācija

Hilti iekārtu izgatavošanā tiek izmantoti galvenokārt otrreiz pārstrādājami materiāli. Priekšnosacījums otrreizējai pārstrādei ir atbilstoša materiālu šķirošana. Daudzās valstīs **Hilti** pieņem nolietotās iekārtas otrreizējai pārstrādei. Lai saņemtu vairāk informācijas, vērsieties **Hilti** servisā vai pie sava pārdošanas konsultanta.



- ▶ Neizmetiet elektroiekārtas, elektroniskas ierīces un akumulatorus sadzīves atkritumos!

10 RoHS (direktīva par bīstamo vielu izmantošanas ierobežošanu)

Lai apskatītu bīstamo vielu tabulu, izmantojiet šādu saiti: qr.hilti.com/r6851673.

Saiti uz RoHS tabulu jūs QR koda veidā atradīsiet šīs dokumentācijas beigās.

11 Ražotāja garantija

- ▶ Ar jautājumiem par garantijas nosacījumiem, lūdzu, vērsieties pie vietējā **Hilti** partnera.

Originali naudojimo instrukcija

1 Dokumentų duomenys

1.1 Apie šią instrukciją

- Prieš pradėdami eksploatuoti, perskaitykite šią instrukciją. Tai yra saugaus darbo ir patikimo naudojimo sąlyga.
- Laikykitės šioje instrukcijoje ir ant prietaiso pateiktų saugos nurodymų ir įspėjimų.
- Šią naudojimo instrukciją visada laikykite kartu su prietaisu, prietaisą kitiems asmenims perduokite tik kartu su šia instrukcija.

1.2 Ženklų paaiškinimas

1.2.1 Įspėjamieji nurodymai

Įspėjamieji nurodymai įspėja apie pavojus, gresiančius eksploatuojant prietaisą. Naudojami šie signaliniai žodžiai:

PAVOJUS

PAVOJUS !

- ▶ Šis žodis vartojamas norint įspėti apie tiesiogiai gresiantį pavojų, kurio pasekmės yra sunkūs kūno sužalojimai arba žūtis.

ĮSPĖJIMAS

ĮSPĖJIMAS !

- ▶ Šis žodis vartojamas norint įspėti apie galimai gresiantį pavojų, kurio pasekmės gali būti sunkūs kūno sužalojimai arba žūtis.

ATSARGIAI

ATSARGIAI !

- ▶ Šis žodis vartojamas potencialiai pavojingai situacijai žymėti, kai yra kūno sužalojimo arba materialinių nuostolių grėsmė.

1.2.2 Instrukcijoje naudojami simboliai

Šioje instrukcijoje naudojami tokie simboliai:



Prieš naudojant, perskaityti instrukciją



	Naudojimo nurodymai ir kita naudinga informacija
	Rodo, kad juo paženklintą medžiagą galima perdirbti
	Elektrinių prietaisų ir akumuliatorių nemesti į buitines atliekas

1.2.3 Iliustracijose naudojami simboliai

Iliustracijose naudojami šie simboliai:

	Šis skaitmenys nurodo atitinkamą iliustraciją šios instrukcijos pradžioje
3	Numeravimas nurodo darbinių veiksmų eiliškumą paveikslėlyje ir gali skirtis nuo tekste pateikto darbinių veiksmų numeravimo
	Pozicijų numeriai naudojami paveikslėlyje Apžvalga – jie nurodo skyrelyje Prietaiso vaizdas esančių paaiškinimų numerius
	Šiuo ženklu siekiama atkreipti ypatingą dėmesį į naudojamą šiuo prietaisu.
	Dirbdami su prietaisu, mūvėkite apsaugines pirštines.

1.3 Specifiniai prietaiso simboliai

1.3.1 Simboliai ant prietaiso

Ant prietaiso gali būti naudojami šie simboliai:

V	Voltas
A	Amperas
Hz	Hercas
/min	Apsisukimai per minutę
RPM	Apsisukimai per minutę
∅	Skersmuo
~	Kintamoji srovė
	II apsaugos klasė (su dviguba izoliacija)
	Prietaisas palaiko belaidį duomenų perdavimą, suderinamą su „iOS“ ir „Android“ platformomis.

1.4 Informacija apie prietaisą

gaminiai yra skirti profesionalams, todėl juos naudoti, techniškai prižiūrėti ir remontuoti leidžiama tik įgaliotam instruktui personalui. Šis personalas turi būti supažindintas su visais galimais pavojais. Neapmokyto personalo, netinkamai arba ne pagal paskirtį naudojamas prietaisas ir jo reikmenys gali kelti pavojų.

Tipas ir serijos numeris yra nurodyti firminėje duomenų lentelėje.

- Serijos numerį perkelkite į toliau nurodytą lentelę. Kreipdamiesi su prietaisu susijusiais klausimais į mūsų atstovybę ar techninės priežiūros centrą, visada nurodykite šiuos prietaiso duomenis.

Prietaiso duomenys

Kombinuotasis perforatorius	TE 70-ATC/AVR
Karta	04
Serijos Nr.	



1.5 Atitikties deklaracija

Prisiimdami visą atsakomybę pareiškiame, kad čia yra aprašytas gaminytis atitinka galiojančias direktyvas ir normas. Atitikties deklaracijos kopiją rasite šios instrukcijos gale.

Techninė dokumentacija saugoma čia:

Hilti Entwicklungsgesellschaft mbH | Zulassung Geräte | Hiltistraße 6 | 86916 Kaufering, DE

2 Sauga

2.1 Bendrieji saugos nurodymai dirbantiems su elektriniais įrankiais

⚠️ [SPĖJIMAS Perskaitykite visus ant šio elektrinio įrankio esančius saugos nurodymus, instrukcijas, paveikslėlius ir techninius duomenis. Šių nurodymų nesilaikymas gali tapti elektros smūgio, gaisro ir / arba sunkių sužalojimų priežastimi.

Išsaugokite visus saugos nurodymus ir instrukcijas, kad galėtumėte į juos pažvelgti ateityje.

Saugos nurodymuose vartojama sąvoka „elektrinis įrankis“ apibrėžiami iš elektros tinklo maitinami elektriniai įrankiai (turintys maitinimo kabelį) ir iš akumulatoriaus maitinami elektriniai įrankiai (be maitinimo kabelio).

Sauga darbo vietoje

- ▶ **Pasirūpinkite, kad darbo vieta visada būtų švari ir gerai apšviesta.** Netvarkinga ar blogai apšviesta darbo vieta gali tapti nelaimingų atsitikimų priežastimi.
- ▶ **Nenaudokite elektrinio įrankio sprogoje aplinkoje, kurioje yra degių skysčių, dujų arba dulkių.** Veikiantys elektriniai įrankiai kibirkščiuoja, ir kibirkštys gali uždegti dulkes arba susikaupusius garus.
- ▶ **Dirbdami su elektriniu įrankiu, neleiskite darbo zonoje būti vaikams ir pašaliniam asmeniui.** Atitraukę dėmesį nuo darbo, galite nebesuvaldyti prietaiso.

Apsauga nuo elektros

- ▶ **Prietaiso maitinimo kabelio kištukas turi atitikti elektros lizdo tipą.** Kištuko jokiu būdu negalima keisti. **Nenaudokite tarpinių kištukų kartu su elektriniais įrankiais, turinčiais apsauginį įžeminimą.** Nepakeisti kištukai ir tinkami elektros lizdai mažina elektros smūgio riziką.
- ▶ **Venkite kūno kontakto su įžemintais paviršiais, pvz., vamzdžiais, šildytuvais, viryklėmis ir šaldytuvais.** Kai žmogaus kūnas yra įžemintas, padidėja elektros smūgio tikimybė.
- ▶ **Elektrinius įrankius saugokite nuo lietaus ir drėgmės.** Į elektrinį įrankį patekus vandens, padidėja elektros smūgio rizika.
- ▶ **Nenaudokite elektros maitinimo kabelio ne pagal paskirtį, t. y. neneškite elektrinio įrankio paėmę už kabelio, nekabinkite jo ant kabelio, netraukite už kabelio, norėdami ištraukti kištuką iš elektros lizdo.** Elektros maitinimo kabelį saugokite nuo karščio, alyvos, aštrių briaunų ar judančių dalių. Pažeisti arba susipynę elektros maitinimo kabeliai didina elektros smūgio riziką.
- ▶ **Jei su elektriniu įrankiu dirbate lauke, naudokite tik tokius ilginimo kabelius, kurie tinka ir lauko darbams.** Naudojant lauko darbams tinkančius ilginimo kabelius, mažėja elektros smūgio rizika.
- ▶ **Jeigu elektrinio įrankio naudojimo drėgnoje aplinkoje negalima išvengti, į elektros tinklą jįjunkite per apsauginę nuotėkio relę.** Apsauginė nuotėkio relė mažina elektros smūgio riziką.

Žmonių sauga

- ▶ **Dirbdami su elektriniu įrankiu, būkite atidūs, sutelkite dėmesį į darbą ir vadovaukitės sveika nuovoka.** Elektrinio įrankio nenaudokite, jeigu esate pavargę arba apsaugę nuo narkotinių medžiagų, alkoholio ar vaistų. Neatidumo akimirka dirbant su elektriniu įrankiu gali tapti rimtų sužalojimų priežastimi.
- ▶ **Naudokite asmenines apsaugos priemones ir visuomet užsidėkite apsauginius akinius.** Naudojant asmenines apsaugos priemones, pvz., respiratorių, neslystančius apsauginius batus, apsauginį šalną, ausines ir kt., priklausomai nuo elektrinio įrankio tipo ir naudojimo, mažėja rizika susižaloti.
- ▶ **Saugokitės, kad neįjungtumėte prietaiso atsitiktinai.** Prieš prijungdami prie elektros maitinimo tinklo, įdėdami akumuliatorių, imdami į rankas ar nešdami, įsitikinkite, kad elektrinis įrankis yra išjungtas. Jeigu nešdami elektrinį įrankį pirštą laikysite ant jungiklio arba įrankį įjungsitė į elektros tinklą tuomet, kai jungiklis nėra išjungtas, gali įvykti nelaimingas atsitikimas.
- ▶ **Prieš įjungdami elektrinį įrankį, pašalinkite iš jo reguliavimo įrankius ar veržlinius raktus.** Besisukančioje prietaiso dalyje esantis įrankis ar paliktas raktas gali tapti sužalojimų priežastimi.
- ▶ **Venkite nepatogių kūno padėčių.** Dirbdami stovėkite tvirtai ir visada išlaikykite kūno pusiausvyrą. Taip galėsite geriau kontroliuoti elektrinį įrankį netikėtose situacijose.
- ▶ **Vilkėkite tinkamą aprangą.** Nevilkėkite plačių drabužių, nesidėkite papuošalų. Saugokite plaukus, drabužius ir pirštines nuo besisukančių prietaiso dalių. Laisvus drabužius, papuošalus ir ligus plaukus gali įtraukti besisukančios prietaiso dalys.



- ▶ Jei yra numatyta galimybė prijungti dulkių nusiurbimo ar surinkimo įrenginius, visada įsitikinkite, kad jie yra prijungti ir tinkamai naudojami. Naudojant dulkių nusiurbimo įrenginį, gali sumažėti dulkių keliama grėsmė.
- ▶ **Neturėkite iliuzijų, kad visada esate saugūs, ir, skaitydami naudojimo instrukcijas, nepraleiskite skyrelių apie saugų darbą su elektriniais įrankiais, net jeigu per ilgus naudojimo metus esate su savo elektriniu įrankiu susipažinę.** Neatsargus veiksmas per sekundės dalį gali tapti sunkių sužalojimų priežastimi.

Elektrinio įrankio naudojimas ir elgesys su juo

- ▶ **Prietaiso neperkraukite. Naudokite Jūsų darbui tinkamą elektrinį įrankį.** Su tinkamu elektriniu įrankiu dirbsite geriau ir saugiau, jei neviršysite nurodytos galios.
- ▶ **Nenaudokite elektrinio įrankio su sugedusiu jungikliu.** Elektrinis įrankis, kurio nebegalima įjungti ar išjungti, yra pavojingas ir jį reikia remontuoti.
- ▶ **Prieš prietaisą nustatydami, keisdami reikmenis ar tiesiog padėdami į šalį, visuomet ištraukite maitinimo kabelio kištuką iš elektros lizdo ir / arba iš prietaiso išimkite akumuliatorių.** Ši atsargumo priemonė leis išvengti netikėto elektrinio įrankio įsijungimo.
- ▶ **Nenaudojamus elektrinius įrankius saugokite vaikams nepasiekiamoje vietoje. Neleiskite prietaisu naudotis asmenims, kurie nėra su juo susipažinę arba nėra perskaitę šios instrukcijos.** Elektriniai įrankiai yra pavojingi, kai juos naudoja patirties neturintys asmenys.
- ▶ **Elektrinius įrankius ir reikmenis rūpestingai prižiūrėkite. Tikrinkite, ar judančios elektrinio įrankio dalys tinkamai funkcionuoja ir niekur nekliūva, ar nėra sulūžusių ir pažeistų dalių, kurios blogintų įrankio veikimą. Prieš naudojimą pažeistos prietaiso dalys turi būti suremontuotos.** Blogai prižiūrimi elektriniai įrankiai yra daugelio nelaimingų atsitikimų priežastis.
- ▶ **Pjovimo įrankiai visuomet turi būti aštrūs ir švarūs.** Rūpestingai prižiūrėti pjovimo įrankiai su aštriomis pjovimo briaunomis mažiau stringa ir yra lengviau valdomi.
- ▶ **Elektrinį įrankį, reikmenis, keičiamuosius įrankius ir t. t. naudokite pagal šias instrukcijas. Taip pat atsižvelkite į darbo sąlygas ir atliekamo darbo pobūdį.** Elektrinius įrankius naudojant ne pagal paskirtį, gali kilti pavojingos situacijos.
- ▶ **Prižiūrėkite rankenas, kad jos ir jų laikymo paviršiai visada būtų sausi, švarūs ir neriebaluoti.** Slidžios rankenos ir jų laikymo paviršiai negali užtikrinti elektrinio įrankio saugaus naudojimo ir valdymo kontrolės nenumatytose situacijose.

Techninė priežiūra

- ▶ **Savo elektrinį įrankį patikėkite remontuoti tik kvalifikuotam specialistui, tam jis turi naudoti tik originalias atsargines dalis.** Taip galima užtikrinti, kad bus išlaikytas elektrinio įrankio naudojimo saugumas.

2.2 Saugos nurodymai smūginiams įrankiams

Saugos nurodymai visiems darbams

- ▶ **Dirbdami užsidėkite ausines.** Triukšmas gali pakenkti klausai.
- ▶ **Naudokite prietaiso komplekte esančias papildomas rankenas.** Prietaisui tapus nebevaldomam, galite susižaloti.
- ▶ **Prieš naudodami, elektrinį įrankį gerai atremkite.** Šis elektrinis įrankis sukuria didelį sukimo momentą. Jeigu naudojimo metu elektrinis įrankis nebus patikimai atremtas, yra pavojus prarasti jo valdymo kontrolę ir susižaloti.
- ▶ **Vykdydami darbus, kurių metu keičiamasis įrankis gali paliesti paslėptus elektros laidus ar nuosavą elektros maitinimo kabelį, prietaisą laikykite paėmę už izoliuotų rankenų paviršių.** Dėl kontakto su laidais, kuriais teka elektros srovė, metalinėse prietaiso dalyse taip pat gali atsirasti įtampa, todėl kyla elektros smūgio pavojus.

Saugos nurodymai dėl ilgų gražtų naudojimo

- ▶ **Gręžti visada pradėkite nedideliu sukimosi greičiu ir tik tada, kai gražtas jau liečia ruošinį.** Jeigu, neturėdamas kontakto su ruošiniu, gražtas gali laisvai sukstis, jis gali šiek tiek sulinkti ir sužaloti.
- ▶ **Grąžtą spauskite tik išilgine kryptimi, tačiau spaudimas neturi būti per didelis.** Grąžtai gali sulinkti ir dėl to lūžti arba tapti nebevaldomi ir sužaloti.

2.3 Papildomi saugos nurodymai dirbantiems su perforatoriumi

Žmonių sauga

- ▶ Prietaisą naudokite tik tada, kai jis yra techniškai tvarkingas.
- ▶ Prietaisą draudžiama keisti ar kitaip juo manipuliuoti.



- ▶ Naudokite prietaiso komplekte esančias papildomas rankenas. Prietaisui tapus nebevaldomam, galite susižaloti.
- ▶ Vykdydami sienų ar grindų pragręžimo ar pramušimo kiaurai darbus, apsaugokite kitoje pusėje esančią zoną. Gręžimo kernai ar medžiagos skeveldros gali iškristi arba nukristi ir sužaloti kitus žmones.
- ▶ Prietaisą visada laikykite tvirtai, abiem rankomis paėmę už rankenų. Rankenos visada turi būti sausos ir švarios.
- ▶ Vykdydami darbus, kurių metu keičiamasis įrankis gali paliesti paslėptus elektros laidus, prietaisą laikykite paėmę už izoliuotų rankenų paviršių. Dėl kontakto su laidais, kuriais teka elektros srovė, metalinėse prietaiso dalyse taip pat gali atsirasti įtampa, todėl kyla elektros smūgio pavojus.
- ▶ Venkite liesti besisukančias prietaiso dalis – susižalojimo pavojus!
- ▶ Dirbdami su prietaisu, užsidėkite tinkamus apsauginius akinius, apsauginį šalmą, ausines, lengvą respiratorių ir mūvėkite apsaugines pirštines.
- ▶ Apsaugines pirštines mūvėkite ir keisdami įrankį. Liesdami keičiamąjį įrankį, galite susipjaustyti ir nusideginti rankas.
- ▶ Dirbdami užsidėkite akių apsaugos priemonę. Medžiagų skeveldros gali sužaloti odą ir akis.
- ▶ Prieš pradėdami dirbti, nustatykite darbo metu kilsiančių dulkių kenksmingumo klasę. Naudokite licencijuotą statybinį dulkių siurbį, atitinkantį apsaugos klasę pagal vietoje galiojančias apsaugos nuo dulkių normas. Tam tikrų medžiagų, pvz., dažų, kuriuose yra švino junginių, kai kurių medienos rūšių, betono / mūro / akmens, kuriuose yra kvarco ir kitų mineralų, taip pat metalo dulkės gali būti sveikatai kenksmingos.
- ▶ Pasirūpinkite, kad darbo vieta būtų gerai vėdinama, ir, jeigu reikia, užsidėkite atitinkamoms dulkmės skirtą kvėpavimo takų saugančią kaukę. Liečiamos ar įkvėptos tokios dulkės darbuotojui ar arti jo esantiems asmenims gali sukelti alergines reakcijas ir / arba kvėpavimo takų susirgimus. Ažuolo arba buko medienos dulkės gali sukelti vėžinius susirgimus, ypač tada, kai buvo naudojami priedai medienai apdoroti (chromatai, medienos konservantai). Medžiagas, kuriose yra asbesto, leidžiama apdoroti tik specialistams.
- ▶ Dirbdami darykite pertraukas ir atpalaidavimo pratimus pirštams, kad pagerėtų kraujotaka. Dirbant ilgesnį laiką, vibracijos gali sukelti pirštų, plaštakos ar riešo sąnario kraujagyslių ar nervų sistemos pažeidimus.

Apsauga nuo elektros

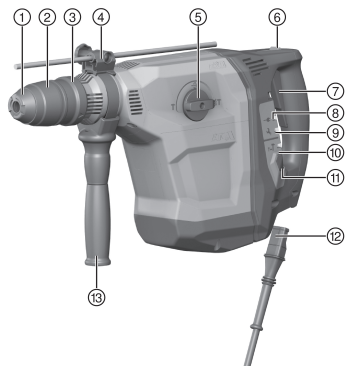
- ▶ Prieš pradėdami dirbti, patikrinkite, ar darbo zonoje nėra paslėptų elektros laidų, dujų ar vandentiekio vamzdžių. Netyčia pažeidus elektros kabelį, išorinėse metalinėse prietaiso dalyse gali atsirasti įtampa, kelianti elektros smūgio pavojų.

Atsargus elektrinių įrankių naudojimas ir elgesys su jais

- ▶ Įrankiui užsiblokavus, elektrinį įrankį nedelsdami išjunkite. Prietaisas gali pakrypti į šoną.
- ▶ Prieš elektrinį įrankį padėdami, palaukite, kol jis visiškai sustos.



3.1 Prietaiso vaizdas



- ① Nuo dulkių saugantis gaubtelis
- ② Įrankio griebtuvas
- ③ Įrankio atblokavimas
- ④ Gylio ribotuvas (reikmuo)
- ⑤ Funkcijos pasirinkimo jungiklis
- ⑥ Kalto fiksatorius
- ⑦ Valdymo jungiklis
- ⑧ Veikimo signalas
- ⑨ Techninės priežiūros indikatorius
- ⑩ Pusės galios indikatorius
- ⑪ Pusės galios jungiklis
- ⑫ Elektros maitinimo kabelis su atskiramu kodo tuotu jungties kištuku
- ⑬ Šoninė rankena

3.2 Naudojimas pagal paskirtį

Aprašytasis prietaisas yra iš elektros tinklo maitinamas kombinuotasis perforatorius su pneumatiniu smūginiu mechanizmu. Jis yra skirtas betono, mūro, medienos ir metalo gręžimo darbams. Prietaisą taip pat galima naudoti lengviems ir vidutinio sunkumo mūro kirtimo ir papildomiems betono apdailos darbams.

- ▶ Su prietaisu dirbkite tik įjungę jį į elektros tinklą, kurio įtampa ir dažnis atitinka reikšmes, nurodytas prietaiso firminėje duomenų lentelėje.

3.3 Galinio skėtimosi inkaras

Prietaisas yra skirtas galinio skėtimosi inkarams kalti. Naudoti tik tinkamus kalimo įrankius! Daugiau informacijos šiuo klausimu rasite vietiniame **Hilti** techninės priežiūros centre.

3.4 Netinkamas naudojimas

- Sveikatai pavojingoms medžiagoms apdoroti šis prietaisas netinka.
- Šis prietaisas nėra skirtas eksploatuoti drėgnoje aplinkoje.

3.5 Active Vibration Reduction

Prietaise yra įrengta Active Vibration Reduction (AVR) sistema, kuri stipriai mažina vibraciją.

3.6 ATC

Prietaise įrengta elektroninė greitojo išjungimo sistema ATC (Active Torque Control).

Keičiamajam įrankiui užsiblokavus ar įstrigus, prietaisas staiga pradeda nekontroliuojamai sukintis priešinga kryptimi. ATC atpažįsta šį staigų prietaiso sukamąjį judesį ir jį tuojau pat išjungia.





Kad tinkamai vykdytų savo funkcijas, prietaisas turi galėti suktilis. Po įvykusio greitojo išjungimo prietaisą išjunkite ir vėl įjunkite.

3.7 Techninės priežiūros indikatorius

Prietaise yra įrengtas techninės priežiūros indikatorius su šviesos signalu.

3.7.1 Techninės priežiūros indikatoriaus būklė

Būsena	Reikšmė
Techninės priežiūros indikatorius šviečia.	Laikas vykdyti techninės priežiūros darbus.
Techninės priežiūros indikatorius mirksi.	Kombinuotąjį perforatorių pristatykite remontuoti į Hilti techninės priežiūros centrą.

3.8 Tiekiamas komplektas

Kombinuotasis perforatorius, šoninė rankena, naudojimo instrukcija.

Daugiau Jūsų turimam prietaisui skirtų sisteminių reikmenų rasite vietinėje Hilti Store arba tinklalapyje www.hilti.group

4 Techniniai duomenys

4.1 Kombinuotasis perforatorius



Nominalioji maitinimo įtampa, nominalioji srovė, dažnis ir nominali vartojamoji galia yra nurodyti Jūsų šaliai galiojančioje firminėje duomenų lentelėje.

Prietaisą maitinant iš generatoriaus arba transformatoriaus, šių įrenginių atiduodamoji galia turi būti bent dvigubai didesnė už prietaiso firminėje duomenų lentelėje nurodytą nominalią vartojamąją galią. Generatoriaus arba transformatoriaus darbinės įtampos reikšmė bet kuriu metu turi būti prietaiso nominalios maitinimo įtampos +5 % ir -15 % ribose.

Svoris pagal „EPTA-Procedure 01“	10 kg
----------------------------------	-------

4.2 Informacija apie triukšmą ir vibracijos reikšmės pagal EN 60745

Šiuose nurodymuose pateiktos garso slėgio ir vibracijos reikšmės yra išmatuotos taikant standartizuotą matavimo metodą ir gali būti naudojamos elektriniams įrankiams palyginti tarpusavyje. Jos taip pat tinka šių veiksmių poveikiui iš anksto įvertinti. Nurodytieji duomenys yra susieti su pagrindinėmis šio elektrinio įrankio naudojimo sritimis. Jeigu elektrinis įrankis bus naudojamas kitaip, su skirtingais keičiamaisiais įrankiais arba bus nepakankamai techniškai prižiūrimas, šie duomenys gali skirtis nuo nurodytųjų. Tai gali gerokai padidinti šių veiksmių poveikį per visą darbo laikotarpį. Norint tiksliai įvertinti poveikį, reikėtų įvertinti ir laiką, kai prietaisas yra išjungtas, arba, nors ir įjungtas, juo faktiškai nedirbama. Toks įvertinimas gali smarkiai sumažinti poveikio per visą darbo laikotarpį reikšmę. Imkitės papildomų saugos priemonių, kad darbuotojas būtų apsaugotas nuo triukšmo ir / arba vibracijos poveikio, pavyzdžiui, reikalaukite tinkamos elektrinio įrankio ir keičiamųjų įrankių techninės priežiūros, pasirūpinkite, kad darbuotojų rankos visada būtų šiltos, užtikrinkite tinkamą darbo organizavimą.

Skleidžiamo triukšmo lygio reikšmės

Garso galios lygis (L_{WA})	111 dB(A)
Garso galios lygio paklaida (K_{WA})	3 dB(A)
Skleidžiamo garso slėgio lygis (L_{pA})	100 dB(A)
Garso slėgio lygio paklaida (K_{pA})	3 dB(A)

Suminės vibracijų reikšmės

Vibracijų emisijos reikšmė perforatoriumi apdirbant betoną ($a_{h,HD}$)	8,3 m/s ²
Vibracijų emisijos reikšmė kertant kaltu ($a_{h,Cheq}$)	8 m/s ²
Paklaida (K)	1,5 m/s ²



5 Naudojimas

5.1 Pasiruošimas darbui

ATSARGIAI

Sužalojimo pavojus! Atsitiktinis prietaiso įjungimas.

- ▶ Prieš nustatydami prietaisą ar keisdami reikmenis, maitinimo kabelio kištuką ištraukite iš elektros lizdo.

Laikykites šioje instrukcijoje ir ant prietaiso pateiktų saugos nurodymų ir įspėjimų.

5.1.1 Įkišamo elektros maitinimo kabelio prijungimas

ATSARGIAI

Sužalojimo pavojus dėl paviršinio nuotėkio srovės, esant užterštiems kontaktams.

- ▶ Atskiriamą elektros maitinimo kabelio kištuką prie prietaiso junkite tik kai jis yra švarus, sausas ir atjungtas nuo elektros tinklo.

1. Koduotą atskiriamą elektrinę kištukinę jungtį kiškite į prietaisą, kol atsirems, o fiksatorius garsiai užsifiksuos.
2. Maitinimo kabelio kištuką įstatykite į elektros lizdą.

5.1.2 Įkišamo elektros maitinimo kabelio atjungimas nuo elektrinio prietaiso

1. Maitinimo kabelio kištuką ištraukite iš elektros lizdo.
2. Paspauskite fiksavimo mygtuką ir koduotą atskiriamą elektrinę kištukinę jungtį ištraukite.
3. Elektros maitinimo kabelį ištraukite iš prietaiso.

5.1.3 Šoninės rankenos montavimas

ATSARGIAI

Sužalojimo pavojus. Yra grėsmė kombinuotojo perforatoriaus nebesuvaldyti.

- ▶ Įsitinkinkite, kad šoninė rankena tinkamai sumontuota ir tvarkingai pritvirtinta. Įsitinkinkite, kad užspaudimo juosta yra atitinkamame prietaiso griovelyje.

1. Sukdami rankeną, atlaisvinkite šoninės rankenos laikiklį (užspaudimo juosta).
2. Laikiklį (užspaudimo juosta) virš įrankio griebtuvo iš priekio stumkite pirmyn iki jam skirto griovelio.
3. Šoninę rankeną nustatykite į norimą padėtį.
4. Sukdami rankeną, šoninės rankenos laikiklį (užspaudimo juosta) priveržkite.

5.1.4 Gylio ribotuvo (užsakomas papildomai) montavimas

1. Sukdami rankeną, atlaisvinkite šoninės rankenos laikiklį (užspaudimo juosta).
2. Gylio ribotuvą iš priekio įkiškite į jam skirtas 2 kreipiančiąsias skylės.
3. Sukdami rankeną, šoninės rankenos laikiklį (užspaudimo juosta) priveržkite.

5.1.5 Valdymo jungiklio fiksatorius



Į kirtimo kaltu režimą nustatytą valdymo jungiklį galite užfiksuoti.

- ▶ Spauskite valdymo jungiklio fiksatorių.

5.1.6 Įrankio įdėjimas



Naudojant netinkamą tirštąjį tepalą, yra pavojus prietaisą pažeisti. **Naudokite tik originalų Hilti tirštąjį tepalą.**

1. Keičiamojo įrankio kotą šiek tiek patepkite tirštuoju tepalu.
 - ▶ Naudokite tik originalų **Hilti** tirštąjį tepalą. Netinkamas tirštasis tepalas gali sukelti prietaiso pažeidimus.
2. Keičiamąjį įrankį įstatykite į įrankio griebtuvą, kol atsirems, ir leiskite užsifiksuoti.
3. Patraukę už įstatyto įrankio patikrinkite, ar jis gerai užsifiksavo.
 - ▶ Prietaisas yra parengtas naudoti.



5.1.7 Įrankio išėmimas

- ▶ Įrankio fiksatorių traukite atgal, kol atsirems, ir keičiamąjį įrankį išimkite.



Naudokite tik originalų **Hilti** tirštąjį tepalą. Naudojant netinkamą tirštąjį tepalą, yra pavojus prietaisą pažeisti.

5.1.8 Galios nustatymas



Galiją nustatyti galima tik tada, kai įjungtas darbo režimas.

Norėdami nustatyti pusę galios, spauskite mygtuką „Pusė galios“. Apie sumažintą galiją informuos įsižiebęs galios indikatorius. Mygtuką „Pusė galios“ paspaudus dar kartą, prietaisas vėl persijungs į visą galiją ir galios indikatorius užges.

Prietaisą išjungus ir vėl įjungus, taip pat nusistato visa galia.

- ▶ Nustatykite galiją.

5.2 Darbas



ĮSPĖJIMAS

Pavojų kelia elektros smūgis! Nesant žeminimo laido ir apsauginės nuotėkio relės, gresia sunkūs sužalojimai ir nudegimai.

- ▶ Kontroliuokite, kad statybvietės elektros prievade – tiek elektros tinklo, tiek ir generatoriaus – visada būtų žeminimo laidas ir apsauginė nuotėkio relė ir kad jie būtų prijungti.
- ▶ Nesant šių saugos priemonių, jokio prietaiso eksploatuoti nepradėkite.



ĮSPĖJIMAS

Pavojų kelia pažeistas kabelis! Darbo metu pažeidę elektros maitinimo arba ilginimo kabelį, nedelsdami atjunkite jį ir prietaisą nuo elektros tinklo. Pažeistų vietų nelieskite!

- ▶ Visus prijungimo kabelius reguliariai tikrinkite. Pažeistus ilginimo kabelius pakeiskite.

Iš statybos vadovybės gaukite leidimą visiems darbams vykdyti!

5.2.1 Grėžimas be smūgiavimo



Grėžti be smūgiavimo galima įrankiais, turinčiais specialų kotą. Tokių įrankių yra **Hilti** įrankių asortimente ir juos galima įsigyti.

Pavyzdžiui, medienos arba metalo grąžta su cilindrinio koto galima įtvirtinti greitojo fiksavimo griebtuve ir grėžti be smūgiavimo.

- ▶ Funkcijos pasirinkimo jungiklį nustatykite į padėtį

5.2.2 Grėžimas smūgiuojant (smūginis grėžimas)

- ▶ Funkcijos pasirinkimo jungiklį nustatykite į padėtį

5.2.3 Kalto padėties nustatymas



ATSARGIAI

Sužalojimo pavojus! Kirtimo kalto krypties valdymo kontrolės praradimas.

- ▶ Nedirbkite, kai funkcijos pasirinkimo jungiklis yra padėtyje „Kalto padėties nustatymas“. Funkcijos pasirinkimo jungiklį nustatykite į padėtį „Smūginis grėžimas“ taip, kad užsifiksuotų.



Kaltą galima fiksuoti 24-iose padėtyse (15° žingsniu). Todėl plokščioju ir profiliniu kalto visada galima dirbti pasirinkus atitinkamą optimalią darbinę padėtį.

- ▶ Funkcijos pasirinkimo jungiklį nustatykite į padėtį

5.2.4 Kirtimas kalto

- ▶ Funkcijos pasirinkimo jungiklį nustatykite į padėtį



6 Priežiūra ir einamasis remontas

ĮSPĖJIMAS

Pavojų kelia elektros smūgis! Priežiūra ir einamasis remontas, kai maitinimo kabelio kištukas įstatytas į elektros lizdą, gali tapti sunkių sužalojimų ir nudegimų priežastimi.

- ▶ Prieš pradėdami bet kokius priežiūros ir einamojo remonto darbus, maitinimo kabelio kištuką ištraukti iš elektros lizdo!

Priežiūra

- Atsargiai pašalinti pilipusius nešvarumus.
- Vėdinimo plyšius atsargiai išvalyti sausu šepetėliu.
- Korpusą valyti tik šiek tiek sudrėkinta šluoste. Nenaudoti silikono turinčių priežiūros priemonių, nes jos gali pakenkti plastikinėms detalėms.

Einamasis remontas

ĮSPĖJIMAS

Pavojų kelia elektros smūgis! Netinkamas elektrinių komponentų remontas gali tapti sunkių sužalojimų ir nudegimų priežastimi.

- ▶ Remontuoti elektrines įrenginio dalis leidžiama tik kvalifikuotiems elektrikams.
- Reguliariai tikrinti, ar matomos dalys nėra pažeistos ir ar valdymo elementai veikia nepriekaištingai.
- Pažeisto ir / arba turinčio veikimo sutrikimų prietaiso nenaudoti. Nedelsiant kreiptis į **Hilti** techninės priežiūros centrą dėl remonto.
- Baigus techninės priežiūros ir einamojo remonto darbus, sumontuoti visus apsauginius įtaisus ir patikrinti jų veikimą.

Kad eksploatacija būtų patikima, naudokite tik originalias atsargines dalis ir eksploatacines medžiagas. Mūsų aprobuotas atsargines dalis, eksploatacines medžiagas ir reikmenis savo prietaisui rasite vietinėje **Hilti Store** arba tinklalapyje www.hilti.group.

6.1 Nuo dulkių saugančio gaubtelio valymas

- ▶ Įrankio griebtuve esantį nuo dulkių saugantį gaubtelį reguliariai valykite švaria sausa šluoste.
- ▶ Sandarinimo briaunelę atsargiai nuvalykite ir vėl šiek tiek patepkite **Hilti** tirštuoju tepalu.
- ▶ Jei sandarinimo briaunelė pažeista, būtina pakeiskite nuo dulkių saugantį gaubtelį.

7 Transportavimas ir sandėliavimas

- Elektrinio prietaiso netransportuoti su sumontuotu įrankiu.
- Elektrinį prietaisą laikyti / sandėliuoti tik su iš elektros lizdo ištrauktu maitinimo kabelio kištuku.
- Prietaisą laikyti sausoje ir vaikams bei neįgalotiems asmenims neprieinamoje vietoje.
- Prieš naudojant po ilgesnio transportavimo arba sandėliavimo, patikrinti, ar prietaisas nėra pažeistas.

8 Pagalba sutrikus veikimui

Pasitaikius sutrikimų, kurie nėra aprašyti šioje lentelėje arba kurių negalite pašalinti patys, kreipkitės į **Hilti** techninės priežiūros centrą.

8.1 Sutrikimų paieška

Sutrikimas	Galima priežastis	Sprendimas
Prietaisas neįsijungia.	Nutrūko elektros energijos tiekimas.	▶ Prijunkite kitą elektrinį prietaisą ir patikrinkite jo veikimą.
	Generatorius veikia budėjimo režimu („Sleep Mode“).	▶ Apkraukite generatorių antruoju energijos vartotoju (pvz., statybinio šviestuvu). Po to prietaisą išjunkite ir vėl įjunkite.
	Dingus įtampai elektros tinkle, yra suaktyvintas elektroninis paleidimo blokatorius.	▶ Prietaisą išjunkite ir vėl įjunkite.



Sutrikimas	Galima priežastis	Sprendimas
Prietaisas neįsijungia.	Įkišamas elektros maitinimo kabelis netinkamai įstatytas į lizdą.	▶ Įkišamą elektros maitinimo kabelį tinkamai prijunkite prie elektrinio prietaiso.
	Sudilo angliniai šepetėliai.	▶ Prietaisą duokite patikrinti elektrikui; jeigu reikia, jis pakeis anglinius šepetėlius.
Prietaisas nesmūgiuoja.	Prietaisas per šaltas.	▶ Prietaisą padėkite ant grindų ir leiskite veikti tuščiaja eiga. Jeigu reikia, pakartokite, kol smūginis mechanizmas pradės veikti.
Prietaisas veikia ne visa galia.	Per ilgas ilginimo kabelis ir / arba per mažas jo laidų skerspjūvio plotas.	▶ Naudokite reikiamo ilgio ir / arba pakankamo laidų skerspjūvio ploto ilginimo kabelį.
	Ne iki galo nuspaustas valdymo jungiklis.	▶ Valdymo jungiklį spauskite iki galo.
	Elektros tinkle yra per žema įtampa.	▶ Prijunkite prietaisą prie kito maitinimo tinklo.
	Įjungtas pusės galios mygtukas.	▶ Spauskite pusės galios mygtuką.
Gražtas nesisuka.	Funkcijos pasirinkimo jungiklis neužfiksuotas arba yra padėtyje „Kirtimas kalnu“ T ar „Kalto padėties nustatymas“ \rightarrow .	▶ Kai prietaisas išjungtas, funkcijos pasirinkimo jungiklį nustatykite į padėtį „Smūginis grėžimas“ !T .
Gražto neįmanoma ištraukti iš griebtuvo.	Įrankio griebtuvus ne iki galo patrauktas atgal.	▶ Įrankio fikساتorių patraukti atgal, kol atsirems, ir išimti įrankį.
	Netinkamai sumontuota šoninė rankena.	▶ Šoninę rankeną atlaisvinkite ir sumontuokite tinkamai, t. y. taip, kad užspaudimo juosta ir šoninė rankena užsifiksuotų griovylyje.
Gražtui įstrigus, prietaisas išsijungia.	Kad būtų išvengta tolesnių strigimų, buvo suaktyvintas elektroninis apsauginis įtaisas.	▶ Išlaisvinkite grąžtą.
Techninės priežiūros indikatorius mirksi.	Prietaiso gedimai.	▶ Prietaisą pristatykite remontuoti į Hilti techninės priežiūros centrą.
Techninės priežiūros indikatorius šviečia.	Sudilo angliniai šepetėliai.	▶ Prietaisą duokite patikrinti elektrikui; jeigu reikia, jis pakeis anglinius šepetėlius.

9 Utilizavimas

Hilti prietaisai yra pagaminti iš medžiagų, kurias galima naudoti antrą kartą. Būtina antrinio perdirbimo sąlyga yra tinkamas medžiagų išrušavimas. Daugelyje šalių **Hilti** priims Jūsų nebenaudojamą prietaisą perdirbti. Apie tai galite pasiteirauti artimiausiame **Hilti** techninės priežiūros centre arba savo prekybos konsultanto.



- ▶ Elektrinių įrankių, elektroninių prietaisų ir akumuliatorių neišmeskite į buitinius šiukšlynus!

10 RoHS (direktyva dėl pavojingų medžiagų naudojimo ribojimo)

Pavojingų medžiagų lentelę rasite spausdami šią nuorodą: qr.hilti.com/r6851673.

Nuorodą į RoHS lentelę rasite kaip QR kodą šios instrukcijos gale.



11 Gamintojo teikiama garantija

- ▶ Kilus klausimų dėl garantijos sąlygų, kreipkitės į vietinį **Hilti** partnerį.

Перевод оригинального руководства по эксплуатации

1 Указания к документации

1.1 Об этом документе



Импортер и уполномоченная изготовителем организация

- (RU) Российская Федерация
АО "Хилти Дистрибьюшн ЛТД", 141402, Московская область, г. Химки, ул. Ленинградская, стр. 25
- (BY) Республика Беларусь
222750, Минская область, Дзержинский район, Р-1, 18-й км, 2 (около д. Слободка), помещение 1-34
- (KZ) Республика Казахстан
Республика Казахстан, индекс 050057, г. Алматы, ул. Тимирязева 42, павильон 15-9
Қазақстан Республикасы, 050057, Алматы қ., Тимирязев көшесі, 15-9 павильоны
- (AM) Республика Армения
ООО Эйч-Кон, Республика Армения, г. Ереван, ул. Бабаяна 10/1

Страна производства: см. маркировочную табличку на оборудовании.

Дата производства: см. маркировочную табличку на оборудовании.

Соответствующий сертификат можно найти по адресу: www.hilti.ru

Специальных требований к условиям хранения, транспортировки и использования, кроме указанных в руководстве по эксплуатации, нет.

Срок службы изделия составляет 5 лет.

- Ознакомьтесь с этим документом перед началом работы. Это является залогом безопасной работы и бесперебойной эксплуатации.
- Соблюдайте указания по технике безопасности и предупреждающие указания, приводимые в данном документе и на изделии.
- Храните руководство по эксплуатации всегда рядом с электроинструментом и передавайте электроинструмент будущим владельцам только вместе с этим руководством.

1.2 Пояснение к знакам

1.2.1 Предупреждающие указания

Предупреждающие указания служат для предупреждения об опасностях при обращении с изделием. Используются следующие сигнальные слова:



ОПАСНО

ОПАСНО !

- ▶ Общее обозначение непосредственной опасной ситуации, которая влечет за собой тяжелые травмы или смертельный исход.



ПРЕДУПРЕЖДЕНИЕ

ПРЕДУПРЕЖДЕНИЕ !

- ▶ Общее обозначение потенциально опасной ситуации, которая может повлечь за собой тяжелые травмы или смертельный исход.



ОСТОРОЖНО

ОСТОРОЖНО !

- ▶ Общее обозначение потенциально опасной ситуации, которая может повлечь за собой травмы или повреждение оборудования (материальный ущерб).



1.2.2 Символы, используемые в руководстве

В этом руководстве используются следующие символы:

	Перед использованием прочтите руководство по эксплуатации.
	Указания по эксплуатации и другая полезная информация
	Обращение с материалами, пригодными для вторичной переработки
	Не выбрасывайте электроустройства и аккумуляторы вместе с обычным мусором!

1.2.3 Символы на изображениях

На изображениях используются следующие символы:

	Эти цифры указывают на соответствующее изображение в начале данного руководства.
3	Нумерация на изображениях отображает порядок выполнения рабочих операций и может отличаться от нумерации, используемой в тексте.
	Номера позиций используются в обзоре изображении. В обзоре изделия они указывают на номера в экспликации.
	Этот знак должен привлечь особое внимание пользователя при обращении с изделием.
	При выполнении работ с электроинструментом надевайте защитные перчатки.

1.3 Символы в зависимости от изделия

1.3.1 Символы на изделии

На изделии могут использоваться следующие символы:

V	Вольт
A	Ампер
Hz	Герц
/min	оборотов в минуту (об/мин)
RPM	оборотов в минуту (об/мин)
∅	Диаметр
	Переменный ток
	Класс защиты II (двойная изоляция)
	Устройство поддерживает технологию NFC, совместимую с платформами iOS и Android.

1.4 Информация об изделии

Изделия предназначены для профессионального использования, поэтому они должны обслуживаться и ремонтироваться только уполномоченным и обученным персоналом. Этот персонал должен пройти специальный инструктаж по технике безопасности. Использование изделия и его оснастки не по назначению или его эксплуатация необученным персоналом могут представлять опасность.

Типовое обозначение и серийный номер указаны на заводской табличке.



- ▶ Перепишите серийный номер в нижеприведенную табличную форму. Данные изделия необходимы при обращении в наше представительство или сервисный центр.

Указания к изделию

Комбинированный перфоратор	TE 70-ATC/AVR
Поколение	04
Серийный номер	

1.5 Декларация соответствия нормам

Настоящим мы с полной ответственностью заявляем, что данное изделие соответствует действующим директивам и нормам. Копию декларации соответствия нормам см. в конце этого документа.

Техническая документация (оригиналы) хранится здесь:

Hilti Entwicklungsgesellschaft mbH | Zulassung Geräte | Hiltistraße 6 | 86916 Kaufering, Германия

2 Безопасность

2.1 Общие указания по технике безопасности для электроинструментов

⚠ ПРЕДУПРЕЖДЕНИЕ Изучите все указания по технике безопасности, инструкции, иллюстрации и технические данные, которые прилагаются к данному электроинструменту. Несоблюдение приводимых ниже указаний может привести к поражению электрическим током, пожару и/или тяжелым травмам.

Сохраните все указания по технике безопасности и инструкции для следующего пользователя.

Используемый далее термин «электроинструмент» относится к электроинструменту, работающему от электрической сети (с кабелем электропитания) и от аккумулятора (без кабеля электропитания).

Безопасность рабочего места

- ▶ Следите за чистотой и хорошей освещенностью на рабочем месте. Беспорядок на рабочем месте или плохое освещение могут привести к несчастным случаям.
- ▶ Не используйте электроустройство/электроинструмент во взрывоопасной зоне, где имеются горючие жидкости, газы или пыль. При работе электроустройство/электроинструмент искрит, и искры могут воспламенить пыль или пары/газы.
- ▶ Не разрешайте детям и посторонним приближаться к работающему электроустройству/электроинструменту. Отвлекаясь от работы, можно потерять контроль над электроустройством/электроинструментом.

Электрическая безопасность

- ▶ Соединительная вилка электроинструмента должна соответствовать розетке электросети. Не изменяйте конструкцию вилки! Не используйте переходные вилки с электроинструментами с защитным заземлением. Использование оригинальных вилок и соответствующих им розеток снижает риск поражения электрическим током.
- ▶ Избегайте непосредственного контакта с заземленными поверхностями, например с трубами, отопительными приборами, газо-/электропластинами и холодильниками. При контакте с заземленными предметами возникает повышенный риск поражения электрическим током.
- ▶ Предохраняйте электроинструменты от дождя или воздействия влаги. В результате попадания воды в электроинструмент возрастает риск поражения электрическим током.
- ▶ Не используйте кабель электропитания не по назначению, например для переноски электроинструмента, его подвешивания или для выдергивания вилки из розетки электросети. Защищайте кабель электропитания от воздействий высоких температур, масла, острых кромок или вращающихся деталей/узлов. В результате повреждения или сплестывания кабелей электропитания повышается риск поражения электрическим током.
- ▶ Если работы с электроинструментом выполняются на открытом воздухе, применяйте только удлинительные кабели, которые разрешено использовать вне помещений. Использование удлинительного кабеля, пригодного для использования вне помещений, снижает риск поражения электрическим током.
- ▶ Если избежать работы с электроинструментом в условиях влажности не представляется возможным, используйте автомат защиты от тока утечки. Использование автомата защиты от тока утечки снижает риск поражения электрическим током.

Безопасность персонала

- ▶ Будьте внимательны, следите за своими действиями и серьезно относитесь к работе с электроинструментом. Не пользуйтесь электроинструментом, если вы устали или находитесь под



действием наркотиков, алкоголя или медикаментов. Незначительная ошибка при невнимательной работе с электроинструментом может стать причиной серьезного травмирования.

- ▶ **Используйте средства индивидуальной защиты и всегда надевайте защитные очки.** Использование средств индивидуальной защиты, например респиратора, защитной обуви на нескользящей подошве, защитной каски или защитных наушников, в зависимости от вида и условий эксплуатации электроинструмента, снижает риск травмирования.
- ▶ **Избегайте непреднамеренного включения электроинструмента. Убедитесь в том, что электроинструмент выключен, прежде чем подключить его к электропитанию и/или вставить аккумулятор, поднимать или переносить электроинструмент.** Ситуации, когда при переносе электроинструмента палец находится на выключателе или когда включенный электроинструмент подключается к электросети, могут привести к несчастным случаям.
- ▶ **Перед включением электроинструмента удалите регулировочные приспособления или гаечные ключи.** Рабочий инструмент или гаечный ключ, находящийся во вращающейся части электроинструмента, может стать причиной получения травм.
- ▶ **Старайтесь избегать неестественных поз при работе. Постоянно сохраняйте устойчивое положение и равновесие.** Это позволит лучше контролировать электроинструмент в непредвиденных ситуациях.
- ▶ **Носите спецодежду. Не надевайте очень свободную одежду или украшения. Оберегайте волосы, одежду и защитные перчатки от вращающихся узлов электроинструмента.** Свободная одежда, украшения и длинные волосы могут быть захвачены ими.
- ▶ **Если предусмотрено подсоединение устройств для удаления и сбора пыли, убедитесь в том, что они подсоединены и используются по назначению.** Использование пылеудаляющего аппарата снижает вредное воздействие пыли.
- ▶ **Не пребывайте в ложной уверенности в собственной безопасности и не пренебрегайте правилами техники безопасности для электроинструментов, даже если вы являетесь опытным пользователем электроинструмента.** Неосторожное обращение может в течение долей секунды стать причиной получения тяжелых травм.

Использование и обслуживание электроинструмента

- ▶ **Не допускайте перегрузки электроинструмента. Используйте электроинструмент, предназначенный именно для данной работы.** Соблюдение этого правила обеспечит более высокое качество и безопасность работы в указанном диапазоне мощности.
- ▶ **Не используйте электроинструмент с неисправным выключателем.** Электроинструмент, включение или выключение которого затруднено, представляет опасность и должен быть отремонтирован.
- ▶ **Прежде чем приступить к регулировке электроинструмента, замене принадлежностей или перед перерывом в работе выньте вилку из розетки и/или аккумулятор из электроинструмента.** Данная мера предосторожности позволит предотвратить непреднамеренное включение электроинструмента.
- ▶ **Храните неиспользуемые электроинструменты в местах, недоступных для детей. Не позволяйте использовать электроинструмент лицам, которые не ознакомлены с ним или не читали эти инструкции.** Электроинструменты представляют собой опасность в руках неопытных пользователей.
- ▶ **Бережно обращайтесь с электроинструментами и принадлежностями. Проверяйте безупречное функционирование подвижных частей, легкость их хода, целостность и отсутствие повреждений, которые могли бы отрицательно повлиять на работу электроинструмента. Сдавайте поврежденные части электроинструмента в ремонт до его использования.** Причиной многих несчастных случаев является несоблюдение правил технического обслуживания электроинструментов.
- ▶ **Необходимо следить за тем, чтобы режущие инструменты были острыми и чистыми.** Заклинивание содержащихся в надлежащем состоянии режущих инструментов происходит реже, ими легче управлять.
- ▶ **Применяйте электроинструмент, принадлежности (оснастку), рабочие инструменты и т. д. согласно данным указаниям. Учитывайте при этом рабочие условия и характер выполняемой работы.** Использование электроинструментов не по назначению может привести к опасным ситуациям.
- ▶ **Замасленные рукоятки и поверхности для хвата немедленно очищайте — они должны быть сухими и чистыми.** Скользкие рукоятки и поверхности для хвата не обеспечивают безопасное управление и контроль электроинструмента в непредвиденных ситуациях.



Сервис

- ▶ **Доверяйте ремонт своего электроинструмента только квалифицированному персоналу, использующему только оригинальные запчасти.** Этим обеспечивается поддержание электроинструмента в безопасном и исправном состоянии.

2.2 Указания по технике безопасности при работе с перфораторами**Указания по технике безопасности при выполнении любых работ**

- ▶ **Надевайте защитные наушники.** В результате воздействия шума возможна потеря слуха.
- ▶ **Используйте дополнительные рукоятки, которые входят в комплект электроинструмента.** Потеря контроля над электроинструментом может привести к травмам.
- ▶ **Перед использованием позаботьтесь о достаточно надежном удержании/подпирании электроинструмента.** Этот электроинструмент генерирует высокий крутящий момент. Если не обеспечить достаточно надежное удержание/подпирание электроинструмента во время работы, возможна потеря контроля над ним и, как следствие, получение травм.
- ▶ **При опасности повреждения рабочим инструментом скрытой электропроводки или собственного кабеля электропитания держите электроинструмент за изолированные поверхности для хвата.** При контакте с токопроводящей линией металлические части электроинструмента также находятся под напряжением, что может привести к удару электрическим током.

Указания по технике безопасности при использовании длинных сверл

- ▶ **Процесс сверления всегда начинайте с низкой частотой вращения.** При этом сверло должно контактировать с заготовкой. В противном случае сверло может легко деформироваться, если оно будет свободно вращаться без контакта с заготовкой, и травмировать пользователя.
- ▶ **Не прижимайте сверло с чрезмерным усилием.** При сверлении следите за тем, чтобы прилагаемое усилие было направлено (распределялось) по оси сверла. Сверла могут деформироваться и вследствие этого ломаться или возможна потеря контроля, что, в свою очередь, может привести к получению травм.

2.3 Дополнительные указания по технике безопасности при работе с перфоратором**Безопасность персонала**

- ▶ Используйте электроинструмент только в технически исправном состоянии.
- ▶ Внесение изменений в конструкцию электроинструмента или его модификация категорически запрещаются.
- ▶ Используйте дополнительные рукоятки, которые входят в комплект электроинструмента. Потеря контроля над электроинструментом может привести к травмам.
- ▶ При сквозном сверлении оградите опасную зону с противоположной стороны стены. Вылетающие наружу и/или падающие вниз осколки могут травмировать других людей.
- ▶ Всегда надежно удерживайте электроинструмент обеими руками за предусмотренные для этого рукоятки. Следите за тем, чтобы рукоятки были сухими и чистыми.
- ▶ При опасности повреждения рабочим инструментом скрытой электропроводки держите электроинструмент за изолированные поверхности рукояток. При контакте с токопроводящей линией металлические части электроинструмента также находятся под напряжением, что может привести к поражению электрическим током.
- ▶ Не прикасайтесь к вращающимся деталям/узлам электроинструмента — опасность травмирования!
- ▶ При работе с электроинструментом надевайте подходящие защитные очки, защитную каску, защитные наушники, защитные перчатки и легкий респиратор.
- ▶ При замене рабочего инструмента надевайте защитные перчатки. Соблюдайте осторожность при замене рабочего инструмента — контакт с ним может привести к порезам и ожогам.
- ▶ Пользуйтесь защитными очками. Осколки материала могут травмировать тело и глаза.
- ▶ Перед началом работы выясните по материалу заготовки класс опасности возникающей пыли. Для работы с электроинструментом используйте строительный (промышленный) пылесос, степень защиты которого соответствует нормам пылезащиты, действующим в месте эксплуатации. Пыль, возникающая при обработке лакокрасочных покрытий, содержащих свинец, некоторых видов древесины, бетона/кирпичной и каменной кладки с частицами кварца, минералов, а также металла может представлять опасность для здоровья.
- ▶ Обеспечьте оптимальную вентиляцию рабочей зоны и при необходимости надевайте респиратор, который подходит для защиты от конкретного вида пыли. Вдыхание частиц такой пыли или контакт с ней может стать причиной появления аллергических реакций и/или заболеваний дыхательных путей как у пользователя, так и у находящихся поблизости лиц. Некоторые виды пыли (например пыль, возникающая при обработке дуба или бука) считаются канцерогенными, особенно в комбинации



с дополнительными материалами, используемыми для обработки древесины (соль хромовой кислоты, средства защиты древесины). К работам с асбестосодержащим материалом должны допускаться только специалисты.

- ▶ Чтобы во время работы руки не затекали, время от времени делайте упражнения для расслабления и разминки пальцев. При длительной работе возникающие вибрации могут привести к нарушениям кровоснабжения сосудов или в нервных окончаниях пальцев/кистей рук или в запястьях.

Электрическая безопасность

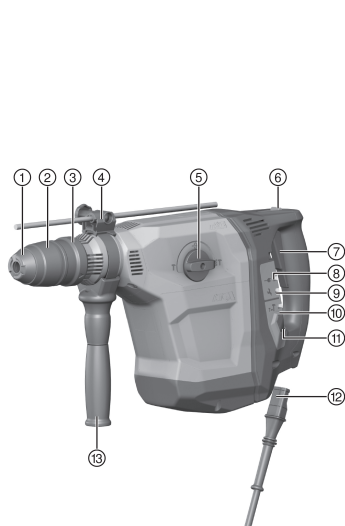
- ▶ Перед началом работы проверяйте рабочее место на наличие скрытой электропроводки, газо- и водопроводных труб. Открытые металлические части электроинструмента могут стать проводниками электрического тока, если случайно задеть электропроводку.

Бережное обращение с электроинструментами и их правильная эксплуатация

- ▶ Немедленно выключайте электроинструмент в случае блокировки рабочего инструмента. Электроинструмент может увести в сторону.
- ▶ Дождитесь, пока электроинструмент полностью не остановится, прежде чем отложить его в сторону.

3 Описание

3.1 Обзор изделия 1



- ① Пылезащитный колпак
- ② Зажимной патрон
- ③ Деблокиратор рабочего инструмента
- ④ Ограничитель глубины (принадлежность)
- ⑤ Переключатель режимов работы
- ⑥ Фиксатор зубила
- ⑦ Основной выключатель
- ⑧ Сигнал функции
- ⑨ Сервисный индикатор
- ⑩ Индикатор средней мощности
- ⑪ Переключатель средней мощности
- ⑫ Кабель электропитания с разъемным штекерным соединителем с кодировкой
- ⑬ Боковая рукоятка

3.2 Использование по назначению

Данный электроинструмент представляет собой электрический комбинированный перфоратор с пневматическим ударным механизмом. Он предназначен для сверления в бетоне, кирпичной кладке, древесине и металле. Кроме того, данный электроинструмент может использоваться для выполнения несложных долбежных работ по кирпичной кладке и отделочных работ по бетону.

- ▶ Эксплуатация электроинструмента возможна только при напряжении и частоте электросети, которые соответствуют указанным на заводской табличке.



3.3 Анкер с подрезкой

Электроинструмент подходит для установки анкеров с подрезкой. Используйте только подходящие посадочные инструменты!

Подробную информацию об этом вы можете получить в ближайшем сервисном центре **Hilti**.

3.4 Возможное использование не по назначению

- Это изделие не предназначено для обработки опасных для здоровья материалов.
- Это изделие не предназначено для выполнения работ во влажной среде.

3.5 Active Vibration Reduction

Электроинструмент оснащен системой Active Vibration Reduction (AVR), которая обеспечивает заметное снижение вибраций.

3.6 ATC

Электроинструмент оснащен системой экстренного электронного отключения электродвигателя ATC (Active Torque Control).

В случае блокировки или заклинивания рабочего инструмента электроинструмент начинает внезапное неконтролируемое вращение в противоположном направлении. Система ATC распознает это внезапное вращательное движение электроинструмента и мгновенно отключает его.



Для надлежащей работы электроинструмента необходимо обеспечить его функцию вращения. После экстренного отключения выключите электроинструмент, а затем снова включите его.

3.7 Сервисный индикатор

Электроинструмент оснащен сервисным световым индикатором.

3.7.1 Сервисный индикатор состояния

Состояние	Значение
Сервисный индикатор горит непрерывно.	Срок службы электроинструмента достиг предела, при котором требуется сервисное обслуживание.
Сервисный индикатор мигает.	Сдайте комбинированный перфоратор в сервисный центр Hilti для ремонта.

3.8 Комплект поставки

Комбинированный перфоратор, боковая рукоятка, руководство по эксплуатации.

Другие системные принадлежности, допущенные для использования с этим изделием, вы можете найти в **Hilti Store** или на сайте www.hilti.group

4 Технические данные

4.1 Комбинированный перфоратор



Номинальное напряжение, номинальный ток, частота и номинальная потребляемая мощность указаны на заводской табличке (данные могут варьироваться в зависимости от экспортного исполнения).

При запитывании от генератора/трансформатора его выходная мощность должна быть как минимум вдвое выше номинальной потребляемой мощности, которая указана на заводской табличке электроинструмента. Рабочее напряжение трансформатора или генератора должно всегда находиться в диапазоне между +5 % и -15 % номинального напряжения электроинструмента.

Масса согласно методу EPTA 01	10 кг
-------------------------------	-------



4.2 Данные по шуму и вибрациям согласно EN 60745

Приводимые здесь значения уровня звукового давления и вибрации были измерены согласно стандартизированной процедуре измерения и могут использоваться для сравнения электроинструментов между собой. Они также подходят для предварительной оценки вредных воздействий. Указанные данные применимы к основным областям применения электроинструмента. Однако, если электроинструмент используется для других целей, с другими рабочими (сменными) инструментами или в случае его неудовлетворительного технического обслуживания, данные могут быть иными. Вследствие этого в течение всего периода работы электроинструмента возможно значительное увеличение вредных воздействий. Для точного определения вредных воздействий следует также учитывать промежутки времени, в течение которых электроинструмент находится в выключенном состоянии или работает вхолостую. Вследствие этого в течение всего периода работы электроинструмента возможно заметное уменьшение вредных воздействий. Примите дополнительные меры безопасности для защиты пользователя от воздействия возникающего шума и/или вибраций, например: техническое обслуживание электроинструмента и рабочих инструментов, сохранение тепла рук, правильная организация рабочих процессов.

Значения уровня шума

Уровень звуковой мощности (L_{WA})	111 дБ(А)
Погрешность уровня звуковой мощности (K_{WA})	3 дБ(А)
Уровень звукового давления (L_{pA})	100 дБ(А)
Погрешность уровня звукового давления (K_{pA})	3 дБ(А)

Общие значения вибрации

Значение вибрации при ударном сверлении в бетоне ($a_{h,HD}$)	8,3 м/с ²
Значение вибрации при долблении ($a_{h,Chaq}$)	8 м/с ²
Коэффициент погрешности (К)	1,5 м/с ²

5 Эксплуатация

5.1 Подготовка к работе

ОСТОРОЖНО

Опасность травмирования! Непреднамеренное включение электроинструмента

- Перед регулировкой электроинструмента или заменой принадлежностей вынимайте вилку из розетки электросети.

Соблюдайте указания по технике безопасности и предупреждающие указания, приводимые в данном документе и на изделии.

5.1.1 Подсоединение съемного кабеля электропитания

ОСТОРОЖНО

Опасность травмирования вследствие токов (поверхностной) утечки при загрязнении контактов

- Разъемный штекерный соединитель следует подключать к электроинструменту только в чистом, сухом и обесточенном состоянии.

1. Вставьте разъемный штекерный соединитель с кодировкой до упора в соответствующий разъем на электроинструменте (при правильной фиксации раздается характерный щелчок).
2. Вставьте вилку кабеля электропитания в розетку.

5.1.2 Отсоединение съемного кабеля электропитания от электроинструмента

1. Выньте вилку кабеля электропитания из сетевой розетки.
2. Нажмите кнопку фиксации и вытяните разъемный штекерный соединитель с кодировкой.
3. Отсоедините кабель электропитания от электроинструмента.



5.1.3 Установка боковой рукоятки 2

ОСТОРОЖНО

Опасность травмирования Потеря контроля над комбинированным перфоратором.

- ▶ Убедитесь в том, что боковая рукоятка правильно установлена и надежно закреплена. Следите за тем, чтобы фиксирующее кольцо располагалось в специально предназначенной для него канавке на электроинструменте.

1. Поверните рукоятку, чтобы разжать фиксатор (фиксирующее кольцо) боковой рукоятки.
2. Установите фиксатор (фиксирующее кольцо) спереди через патрон в предусмотренный для этого паз.
3. Установите боковую рукоятку в нужное положение.
4. Поверните рукоятку, чтобы зажать фиксатор (фиксирующее кольцо) боковой рукоятки.

5.1.4 Установка ограничителя глубины (опция) 3

1. Поверните рукоятку, чтобы разжать фиксатор (фиксирующее кольцо) боковой рукоятки.
2. Установите ограничитель глубины спереди в два специально предназначенных для этого направляющих отверстия.
3. Поверните рукоятку, чтобы зажать фиксатор (фиксирующее кольцо) боковой рукоятки.

5.1.5 Фиксатор выключателя



В режиме долбления выключатель можно зафиксировать в нажатом положении.

- ▶ Нажмите фиксатор выключателя.

5.1.6 Установка рабочего инструмента 4



Использование неподходящей пластичной смазки может стать причиной повреждений электроинструмента. **Используйте только оригинальную пластичную смазку фирмы Hilti.**

1. Слегка смажьте хвостовик рабочего инструмента.
 - ▶ Используйте только оригинальную пластичную смазку фирмы **Hilti**. Использование неподходящей консистентной смазки может стать причиной повреждений инструмента.
2. Вставьте рабочий инструмент до упора в зажимной патрон (до фиксации).
3. После этого потяните рабочий инструмент на себя, чтобы убедиться в том, что он надежно зафиксирован.
 - ▶ Электроинструмент готов к работе.

5.1.7 Извлечение рабочего инструмента 5

- ▶ Оттяните патрон до упора назад и извлеките рабочий инструмент.



Используйте только оригинальную пластичную смазку фирмы **Hilti**. Использование неподходящей консистентной смазки может стать причиной повреждений электроинструмента.

5.1.8 Настройка мощности



Регулировка мощности возможна только при включенном электроинструменте.

Для установки средней мощности нажмите кнопку «Средняя мощность». При пониженной мощности загорается индикатор мощности. Путем повторного нажатия кнопки «Средняя мощность» электроинструмент вновь переключается на полную мощность, и индикатор мощности гаснет.

Если электроинструмент выключить и снова включить, он также переключится на полную мощность.

- ▶ Отрегулируйте мощность.



5.2 Выполнение работ

ПРЕДУПРЕЖДЕНИЕ

Опасность вследствие удара электрического тока! Отсутствие заземляющего провода и автомата защиты от тока утечки может привести к тяжелым травмам и ожогам.

- ▶ Убедитесь в том, что в проложенном кабеле питания, проходящем от электросети или генератора, всегда имеются подключенные заземляющий провод и автомат защиты от тока утечки.
- ▶ Если эти меры предосторожности не приняты, не эксплуатируйте изделие.

ПРЕДУПРЕЖДЕНИЕ

Опасность вследствие поврежденных кабелей! При повреждении кабеля электропитания или удлинительного кабеля во время работы немедленно отсоедините электроинструмент и соответствующий кабель от электросети. Не касайтесь места повреждения!

- ▶ Регулярно проверяйте все соединительные кабели. Заменяйте поврежденные удлинительные кабели.

Перед началом работ согласуйте их в полном объеме с начальником строительного участка (прорабом).

5.2.1 Сверление без удара



Сверление без удара возможно с помощью рабочих инструментов со специальным хвостовиком. Вы можете найти подходящую оснастку в каталоге рабочих инструментов **Hilti**.

В быстрозажимном патроне вы можете зажать, например, сверло по дереву или стали с цилиндрическим хвостовиком и выполнять сверление без удара.

- ▶ Установите переключатель режимов работы в положение T.

5.2.2 Сверление с ударом (ударное сверление)

- ▶ Установите переключатель режимов работы в положение T.

5.2.3 Выбор положения зубила

ОСТОРОЖНО

Опасность травмирования! Потеря контроля над направлением долбления.

- ▶ Не работайте с электроинструментом, если переключатель режимов работы находится в положении «Выбор положения зубила». Установите переключатель режимов работы в положение «Долбление» (до щелчка).



Зубило можно установить в 24 разных положениях (с шагом 15°). Благодаря этому плоские и фасонные зубила всегда можно установить в оптимально подходящее для работы положение.

- ▶ Установите переключатель режимов работы в положение .

5.2.4 Долбление

- ▶ Установите переключатель режимов работы в положение T.

6 Уход и техническое обслуживание

ПРЕДУПРЕЖДЕНИЕ

Опасность травмирования вследствие удара электрическим током! Выполнение работ по уходу и обслуживанию с подключенной вилкой кабеля электропитания может привести к тяжелым травмам и ожогам.

- ▶ Перед проведением любых работ по уходу и обслуживанию всегда вынимайте из розетки вилку кабеля электропитания!

Уход

- Осторожно удаляйте налипшую грязь.
- Осторожно очищайте вентиляционные прорези сухой щеткой.



- Очищайте корпус только с помощью слегка увлажненной ткани. Не используйте средства по уходу с содержанием силикона, поскольку они могут повредить пластиковые детали.

Техническое обслуживание

ПРЕДУПРЕЖДЕНИЕ

Опасность вследствие удара электрического тока! Неквалифицированный ремонт компонентов электрической части может привести к получению серьезных травм и ожогам.

- ▶ Ремонт электрической части перфоратора поручайте только специалисту-электрику.
- Регулярно проверяйте все видимые части электроинструмента на отсутствие повреждений, а элементы управления — на исправное функционирование.
- При повреждениях и/или функциональных сбоях не используйте инструмент. Сразу сдавайте его в сервисный центр **Hilti** для ремонта.
- После ухода за электроинструментом и его технического обслуживания установите все защитные приспособления на место и проверьте их исправное функционирование.

Для обеспечения безопасной эксплуатации используйте только оригинальные запасные части и расходные материалы. Допущенные нами запасные части, расходные материалы и принадлежности для данного устройства вы можете найти в **Hilti Store** или на сайте **www.hilti.group**.

6.1 Очистка пылезащитного колпачка

- ▶ Регулярно выполняйте очистку пылезащитного колпачка на зажимном патроне с помощью сухой и чистой ткани.
- ▶ Осторожно протрите уплотнительный язычок начисто и снова смажьте его тонким слоем пластичной смазки **Hilti**.
- ▶ Всегда заменяйте пылезащитный колпачок, если уплотнительный язычок поврежден.

7 Транспортировка и хранение

- Транспортировка электроинструмента с установленным рабочим инструментом запрещается.
- Храните электроинструмент всегда с вынутой вилкой кабеля.
- Храните электроинструмент в сухом виде в недоступном для детей и других лиц, не допущенных к работе с данным электроинструментом, месте.
- После продолжительной транспортировки или длительного хранения перед использованием проверяйте электроинструмент на отсутствие повреждений.

8 Помощь при неисправностях

В случае неисправностей, которые не указаны в этой таблице или которые вы не можете устранить самостоятельно, обращайтесь в ближайший сервисный центр **Hilti**.

8.1 Поиск и устранение неисправностей

Неисправность	Возможная причина	Решение
Электроинструмент не включается.	Отсутствует/прервано электропитание.	▶ Подключите другой электроинструмент и проверьте его функционирование.
	Генератор в режиме ожидания	▶ Подключите к генератору второй потребитель (например, прожектор для стройплощадок). Выключите электроинструмент, а затем снова включите его.
	Активирована электронная блокировка пуска после сбоя в электропитании.	▶ Выключите электроинструмент, а затем снова включите его.
	Неправильно подключен съемный кабель электропитания.	▶ Правильно подсоедините съемный кабель электропитания к электроинструменту.



Неисправность	Возможная причина	Решение
Электроинструмент не включается.	Изношены угольные щетки.	► Вызовите для проверки специалиста-электрика, в случае необходимости замените.
Нет удара.	Электроинструмент слишком холодный.	► Установите электроинструмент на базовый материал и дайте поработать ему в холодном режиме. При необходимости повторяйте процедуру, пока не заработает ударный механизм.
Электроинструмент работает не на полную мощность.	Удлинительный кабель слишком длинный и/или имеет недостаточное сечение.	► Используйте удлинительный кабель допустимой длины и/или с достаточным сечением.
	Не полностью нажат основной выключатель.	► Нажмите основной выключатель до упора.
	Слишком низкое напряжение электропитания	► Подключите электроинструмент к другому источнику электропитания.
	Нажата кнопка переключения на среднюю мощность.	► Нажмите кнопку переключения на среднюю мощность.
Сверло не вращается.	Переключатель режимов работы не зафиксирован или находится в положении «Долбление» T или «Выбор положения зубила» \rightarrow .	► Установите переключатель режимов работы в положение «Ударное сверление» T .
Сверло не высвобождается из патрона.	Не полностью оттянут (отжат) зажимной патрон.	► Оттяните зажимной патрон до упора назад и извлеките рабочий инструмент.
	Неправильно установлена боковая рукоятка.	► Ослабьте и правильно установите боковую рукоятку. Рукоятка и ее фиксатор должны зафиксироваться в углублении.
Электроинструмент отключается при заклинивании сверла.	Сработало электронное защитное устройство, чтобы не допустить последующего заклинивания.	► Высвободите сверло/бур.
Сервисный индикатор мигает.	Электроинструмент имеет повреждения.	► Сдайте электроинструмент для ремонта в сервисный центр Hilti .
Сервисный индикатор горит непрерывно.	Изношены угольные щетки.	► Вызовите для проверки специалиста-электрика, в случае необходимости замените.

9 Утилизация

Большинство материалов, из которых изготовлены электроинструменты **Hilti**, подлежит вторичной переработке. Перед утилизацией следует тщательно рассортировать материалы (для удобства их последующей переработки). Во многих странах фирма **Hilti** уже организовала прием старых (электро)инструментов (изделий) для утилизации. Дополнительную информацию по этому вопросу можно получить в отделе по обслуживанию клиентов или у консультантов по продажам фирмы **Hilti**.



- Не выбрасывайте электрические инструменты, электронные устройства/приборы и аккумуляторы вместе с обычным мусором!



10 RoHS (Директива об ограничении применения опасных веществ)

По этой ссылке доступна таблица опасных веществ: qr.hilti.com/r6851673.

Ссылку в виде QR-кода на таблицу опасных веществ согласно директиве RoHS см. в конце этого документа.

11 Гарантия производителя

- ▶ С вопросами относительно гарантийных условий обращайтесь в ближайшее представительство Hilti.

Оригінальна інструкція з експлуатації**1 Інформація про документацію****1.1 Інформація про цей документ**

- Перш ніж розпочинати роботу з інструментом, прочитайте цей документ. Це є передумовою безпечної роботи та відсутності несправностей під час застосування інструмента.
- Дотримуйтеся попереджувальних вказівок та вказівок з техніки безпеки, наведених у цьому документі та на корпусі інструмента.
- Завжди зберігайте інструкцію з експлуатації поблизу інструмента та передавайте інструмент іншим особам лише разом з інструкцією.

1.2 Пояснення символів**1.2.1 Попереджувальні вказівки**

Попереджувальні вказівки інформують користувача про фактори небезпеки, пов'язані із застосуванням інструмента. Використовуються такі сигнальні слова:

**НЕБЕЗПЕКА****НЕБЕЗПЕКА !**

- ▶ Указує на безпосередню небезпеку, що може призвести до отримання тяжких тілесних ушкоджень або навіть до смерті.

**ПОПЕРЕДЖЕННЯ****ПОПЕРЕДЖЕННЯ !**

- ▶ Указує на потенційно небезпечну ситуацію, яка може призвести до отримання тяжких тілесних ушкоджень або навіть смерті.

**ОБЕРЕЖНО****ОБЕРЕЖНО !**

- ▶ Указує на потенційно небезпечну ситуацію, яка може призвести до отримання тілесних ушкоджень або до матеріальних збитків.

1.2.2 Символи у документі

У цьому документі використовуються такі символи:



Перед використанням прочитайте інструкцію з експлуатації



Указівки щодо експлуатації та інша корисна інформація



Поводження з матеріалами, придатними для вторинної переробки



Не викидайте електроінструменти і акумуляторні батареї у баки для побутового сміття



1.2.3 Символи на ілюстраціях

На ілюстраціях використовуються такі символи:

	Цифрами позначаються відповідні ілюстрації, наведені на початку цієї інструкції
3	Нумерація відображає послідовність робочих кроків на ілюстраціях та може відрізнятися від нумерації у тексті
	Номера позицій, наведені на оглядовій ілюстрації , відповідають номерам у легенді, що представлена у розділі « Огляд продукту »
	Цей символ позначає аспекти, на які слід звернути особливу увагу під час застосування інструмента.
	Під час роботи з інструментом використовуйте захисні рукавиці.

1.3 Символи, що обумовлені типом інструмента

1.3.1 Символи на інструменті

На інструменті можуть бути наведені такі символи:

V	Вольт
A	Ампер
Hz	Герц
/min	Кількість обертів на хвилину
RPM	Кількість обертів на хвилину
∅	Діаметр
	Змінний струм
	Клас захисту II (подвійна ізоляція)
	Інструмент підтримує бездротову передачу даних та є сумісним із платформами iOS та Android.

1.4 Інформація про інструмент

Інструменти призначені для професійного використання, а тому їхню експлуатацію, технічне обслуговування та ремонт слід доручати лише авторизованому персоналу зі спеціальною підготовкою. Цей персонал повинен бути спеціально проінструктований про можливі ризики. Інструмент та допоміжне приладдя можуть стати джерелом небезпеки у разі їхнього неправильного застосування некваліфікованим персоналом або у разі використання не за призначенням.

Тип та серійний номер зазначені на заводській табличці.

- Перелишіть серійний номер у наведену нижче таблицю. При оформленні запитів до нашого представництва та до сервісної служби вказуйте інформацію про інструмент.

Інформація про інструмент

Комбінований перфторатор	TE 70-ATC/AVR
Версія	04
Серійний номер	

1.5 Сертифікат відповідності

Зі всією належною відповідальністю заявляємо, що описаний у цьому документі інструмент відповідає діючим директивам і стандартам. Копія сертифіката відповідності наведена у кінці цього документа.

Технічна документація зазначена нижче:

Hilti Entwicklungsgesellschaft mbH | Zulassung Geräte | Hiltistraße 6 | 86916 Kaufering, DE



2244433

Українська

97

2.1 Загальні вказівки з техніки безпеки при роботі з електроінструментами

⚠ ПОПЕРЕДЖЕННЯ! Уважно прочитайте усі вказівки та інструкції з техніки безпеки, ознайомтеся з малюнками та технічними даними цього електроінструмента. Щонайменше недотримання наведених нижче вказівок може призвести до ураження електричним струмом, займання та/або отримання тяжких травм.

Збережіть всі інструкції та вказівки з техніки безпеки – вони можуть знадобитися Вам у майбутньому.

Термін «електроінструмент», який використовується у вказівках з техніки безпеки, позначає як електроінструменти, що працюють від електричної мережі (із кабелем живлення), так і електроінструменти, що працюють від акумуляторної батареї (без кабелю живлення).

Безпека на робочому місці

- ▶ **Дбайте про чистоту та достатнє освітлення робочого місця.** Безлад на робочому місці та недостатнє освітлення можуть стати причиною нещасних випадків.
- ▶ **Не працюйте з електроінструментом у вибухонебезпечному середовищі, що містить легкозаймисті рідини, гази або пил.** Під час роботи електроінструментів утворюються іскри, від яких можуть зайнятися легкозаймисті випари або пил.
- ▶ **Подбайте про те, щоб під час використання електроінструмента поблизу не було дітей та сторонніх осіб.** Щонайменше відволікання може призвести до втрати контролю над інструментом.

Електрична безпека

- ▶ **Штепсельна вилка електроінструмента повинна підходити до розетки живлення. Забороняється вносити зміни до конструкції штепсельної вилки. Не дозволяється застосовувати перехідні штепсельні вилки в електроінструментах із захисним заземленням.** У разі використання оригінальних штепсельних вилок і відповідних розеток знижується ризик ураження електричним струмом.
- ▶ **Під час роботи намагайтеся не торкатися заземлених поверхонь, наприклад труб, радіаторів опалення, печей та холодильників.** Якщо Ваше тіло перебуває в контакт з системою заземлення, існує підвищений ризик ураження електричним струмом.
- ▶ **Захищайте електроінструменти від дощу та вологи.** У разі проникнення води в електроінструмент підвищується ризик ураження електричним струмом.
- ▶ **Використовуйте з'єднувальний кабель тільки за призначенням, не переносьте за нього електроінструмент, не користуйтеся ним для підвішування інструмента та не тримайтеся за нього, дістаючи штепсельну вилку з розетки.** Оберігайте з'єднувальний кабель від впливу високих температур, від дії мастил та контакту з гострими кромками або рухомими частинами інструмента. Пошкоджені або заплутані з'єднувальні кабелі підвищують ризик ураження електричним струмом.
- ▶ **Працюючи з електроінструментом під відкритим небом, використовуйте лише подовжувальний кабель, придатний для зовнішнього застосування.** Використання подовжувального кабелю, призначеного для зовнішнього застосування, зменшує ризик ураження електричним струмом.
- ▶ **Якщо неможливо уникнути експлуатації електроінструмента за умов підвищеної вологості, використовуйте автомат захисту від струму витoku.** Використання автомата захисту від струму витoku зменшує ризик ураження електричним струмом.

Безпека персоналу

- ▶ **Будьте уважними, зосередьтеся на виконуваній операції, до роботи з електроінструментом ставтеся серйозно. Не користуйтеся електроінструментом, якщо Ви втомлені або перебуваєте під дією наркотичних речовин, алкоголю або лікарських засобів.** Під час роботи з електроінструментом не відволікайтеся ні на мить, оскільки це може призвести до отримання серйозних травм.
- ▶ **Використовуйте засоби індивідуального захисту і завжди надягайте захисні окуляри.** Використання засобів індивідуального захисту, наприклад респіратора, захисного взуття на нековзній підшві, захисного шолома або шумозахисних навушників – залежно від різновиду електроінструмента та особливостей його застосування – зменшує ризик травмування.
- ▶ **Уникайте випадкового вмикання електроінструмента. Переконайтеся в тому, що електроінструмент вимкнений, перш ніж вставляти штепсельну вилку в розетку живлення та/або приєднувати акумулятор, піднімати електроінструмент або переносити його.** Якщо під час перенесення електроінструмента тримати палець на вимикачі або приєднувати інструмент до джерела живлення увімкненим, це може призвести до нещасного випадку.



- ▶ **Перш ніж вмикати електроінструмент, від'єднайте від нього все налагоджувальне приладдя або гайкові ключі.** Приладдя або ключ, що знаходяться в обертовому вузлі інструмента, можуть стати причиною отримання травм.
- ▶ **Уникайте виконання роботи в незручній позі.** Під час виконання робіт ставайте в стійку позу і намагайтеся повсякчас утримувати рівновагу. Це дозволить Вам більш упевнено контролювати електроінструмент у разі виникнення несподіваних обставин.
- ▶ **Надягайте відповідний робочий одяг. Не надягайте для роботи занадто просторий одяг та прикраси.** Слідкуйте за тим, щоб волосся, одяг та робочі рукавиці знаходилися подалі від обертових частин інструмента. Просторий одяг, прикраси або довге волосся можуть бути захоплені рухомими частинами інструмента.
- ▶ **Якщо передбачена можливість установа системи пиловидалення та пилозбірників, обов'язково переконайтеся в тому, що вони правильно приєднані й використовуються належним чином.** Застосування системи видалення пилу дозволяє зменшити негативний вплив пилу на персонал.
- ▶ **Не можна нехтувати правилами безпеки під час роботи з електроінструментами навіть у тому випадку, коли Ви добре знайомі з тим чи іншим електроінструментом.** Якщо користуватися інструментом необережно, лише малої частки секунди може бути достатньо для отримання тяжких травм.

Використання електроінструмента та належний догляд за ним

- ▶ **Не допускайте перенавантаження інструмента.** Завжди використовуйте електроінструмент, призначений для виконання відповідної роботи. При використанні належного електроінструмента забезпечуються більш висока якість та безпека виконання робіт у вказаному діапазоні продуктивності.
- ▶ **Не використовуйте електроінструмент із пошкодженим вимикачем.** Електроінструмент, який неможливо вмикати або вимикати, є небезпечним і підлягає ремонту.
- ▶ **Перш ніж розпочинати налаштування інструмента, виконувати заміну приладдя або робити перерву в роботі, не забудьте вийняти штепсельну вилку з розетки та/або вийняти з інструмента змінну акумуляторну батарею.** Такий запобіжний захід допоможе уникнути випадкового вмикання електроінструмента.
- ▶ **Електроінструменти, що не використовуються, зберігайте в недоступному для дітей місці. Не дозволяйте користуватися інструментом особам, які не ознайомлені з ним або не прочитали ці вказівки.** У руках недосвідчених людей електроінструменти являють собою серйозну небезпеку.
- ▶ **Електроінструменти та їх приладдя потребують дбайливого догляду. Ретельно перевіряйте, чи бездоганно працюють та чи не заклинюють рухомі частини, чи не зламалися або не зазнали інших пошкоджень деталі, від яких залежить справна робота електроінструмента. Перед початком роботи з інструментом пошкоджені деталі слід відремонтувати.** Багатьох нещасних випадків можна уникнути за умови належного технічного обслуговування електроінструментів.
- ▶ **Слідкуйте за тим, щоб ріжучі інструменти завжди залишались чистими та належним чином заточеними.** Дбайливо доглянутий ріжучий інструмент із гострими різальними кромками не так часто заклинюється, і з ним легше працювати.
- ▶ **Під час експлуатації електроінструмента, приладдя до нього, робочих інструментів тощо дотримуйтеся наведених у цьому документі вказівок. При цьому завжди враховуйте умови в місці виконання робіт та дії, яких вимагає поставлене завдання.** Використання електроінструментів не за призначенням може призвести до виникнення небезпечних ситуацій.
- ▶ **Слідкуйте за тим, щоб поверхні рукояток були чистими та сухими, та не допускайте їхнього забруднення мастилом.** Якщо поверхні рукояток слизькі, це унеможливило впевнене контролювання електроінструмента у непередбачених ситуаціях.

Сервісне обслуговування

- ▶ **Доручайте ремонт електроінструмента лише кваліфікованому персоналу зі спеціальною підготовкою за умови використання тільки оригінальних запасних частин.** Це забезпечить функціональність електроінструмента.

2.2 Вказівки з техніки безпеки стосовно роботи з перфоратором

Указівки з техніки безпеки для виконання усіх типів робіт

- ▶ **Використовуйте захисні навушники.** Тривалий вплив шуму може призвести до втрати слуху.
- ▶ **Використовуйте додаткові рукоятки, що входять до комплекту постачання інструмента.** Втрата контролю над інструментом може стати причиною травмування.
- ▶ **Перед початком використання інструмента забезпечте для нього належну опору.** Цей електроінструмент розвиває високий крутильний момент. Якщо під час роботи не забезпечено належну опору електроінструмента, існує ймовірність втрати контролю та травмування.



- ▶ Якщо під час виконання робіт змінний робочий інструмент може натрапити на приховану електропроводку або кабель живлення, утримуйте інструмент за ізольовані поверхні рукояток. У разі контакту з електричним кабелем, який знаходиться під напругою, металеві деталі інструмента також потраплять під напругу, а це може призвести до ураження електричним струмом.

Указівки з техніки безпеки під час застосування довгих свердел

- ▶ Завжди розпочинайте свердління за низької швидкості обертання, попередньо встановивши свердло на оброблюваний об'єкт. Якщо свердло обертатиметься із більшою швидкістю, то під час вільного обертання без контакту з оброблюваним об'єктом воно може деформуватися, що у свою чергу може спричинити травми.
- ▶ На свердло дозволяється натискати лише у поздовжньому напрямку, не докладаючи при цьому надмірних зусиль. Невиконання цієї вказівки може призвести до руйнування свердла внаслідок його деформування або спричинити травми внаслідок втрати контролю над інструментом.

2.3 Додаткові вказівки з техніки безпеки під час роботи з перфатором

Безпека персоналу

- ▶ Користуйтеся лише повністю справним інструментом.
- ▶ Вносити будь-які зміни до конструкції інструмента заборонено.
- ▶ Використовуйте додаткові рукоятки, що входять до комплекту постачання інструмента. Адже втрата контролю над інструментом може стати причиною травмування.
- ▶ Під час наскрізної обробки укріпіть відповідну ділянку поверхні з протилежного боку деталі. Осколки можуть розлітатися у різні боки та/або вниз і травмувати інших людей.
- ▶ Завжди міцно тримайте інструмент обома руками за передбачені для цього рукоятки. Слідкуйте за тим, щоб рукоятки були сухими та чистими.
- ▶ Якщо під час виконання робіт змінний робочий інструмент може натрапити на приховану електропроводку, утримуйте інструмент за ізольовані поверхні рукояток. У разі контакту з електричним дротом, який знаходиться під напругою, металеві деталі інструмента також потраплять під напругу, а це може призвести до ураження електричним струмом.
- ▶ Уникайте контакту з деталями інструмента, що обертаються. Існує ризик отримання травм!
- ▶ Під час роботи з інструментом використовуйте захисні окуляри, шолом, навушники, робочі рукавиці та легкий респіратор.
- ▶ Під час заміни робочого інструмента також користуйтеся захисними рукавицями. Контакт із робочим інструментом може призвести до отримання порізів або опіків.
- ▶ Використовуйте захисні окуляри. Уламки матеріалу можуть завдати поранень або пошкодити очі.
- ▶ Перш ніж розпочинати роботу, з'ясуйте клас небезпеки пилу, що при цьому буде утворюватися. Використовуйте будівельний пилосос затвердженого класу захисту, що відповідає місцевим вимогам щодо захисту від пилу. Пил, що містить у собі такі матеріали, як фарби на основі свинцю, тирсу деяких порід деревини, бетон, цеглу, кварцові гірські породи і мінерали, а також метал, може бути шкідливим для здоров'я.
- ▶ Подбайте про належну вентиляцію робочого місця та користуйтеся респіратором, який підходить до матеріалу, що обробляється. У разі контакту з таким пилом або при його вдиханні у користувача електроінструмента та у людей, що знаходяться поруч, можуть виникнути алергійні реакції та/або захворювання дихальних шляхів. Деякі різновиди пилу, наприклад деревини дуба і бука, вважаються канцерогенними, особливо у поєднанні з речовинами для обробки деревини (хроматом, засобами для захисту деревини). До обробки матеріалів, що містять азбест, допускаються лише фахівці зі спеціальною підготовкою.
- ▶ Працюйте з перервами та виконуйте вправи на розминання пальців, щоб покращити кровообіг у них. Під час довготривалих робіт вібрація може пошкодити судини або нерви у пальцях, руках або зап'ясткових суглобах.

Електрична безпека

- ▶ Перед початком роботи перевіряйте робоче місце на наявність прихованих електричних кабелів, газових та водопровідних труб. Якщо Ви під час роботи випадково пошкодите електричні кабелі, контакт з відкритими металевими деталями інструмента може спричинити ураження електричним струмом.

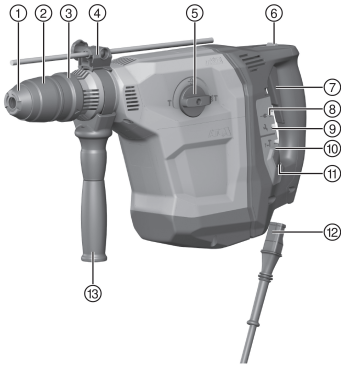
Належне використання електроінструментів та дбайливий догляд за ними

- ▶ Якщо сталося блокування змінного робочого інструмента, негайно вимкніть інструмент. Інструмент може відхилитися вбік.
- ▶ Зачекайте, доки змінний робочий інструмент повністю зупиниться, перш ніж знімати його з оброблюваного об'єкту.



3 Опис

3.1 Огляд продукту



- ① Пилозахисний ковпак
- ② Затискний патрон
- ③ Пристрій для знімання змінного робочого інструмента
- ④ Обмежувальний упор (приладдя)
- ⑤ Перемикач функцій
- ⑥ Фіксатор зубила
- ⑦ Вимикач
- ⑧ Індикатор функціонування
- ⑨ Сервісний індикатор
- ⑩ Індикатор половинної потужності
- ⑪ Перемикач половинної потужності
- ⑫ Кабель живлення із рознімним з'єднувачем спеціальної форми
- ⑬ Бокова рукоятка

3.2 Використання за призначенням

Описаний у цьому документі інструмент являє собою комбінований перфоратор з електричним приводом та пневматичним ударним механізмом. Він призначений для свердління отворів у бетоні, цегляній кладці, деревині та металі. Інструмент також може використовуватися для довбальних робіт на цегляній кладці в умовах легкого та середнього навантаження, а також для чистої обробки поверхні бетону.

- Експлуатація інструмента можлива лише за умови, що напруга і частота мережі живлення відповідають вказаним на заводській табличці значенням.

3.3 Анкер з підрізкою

Інструмент придатний для забивання анкерів з підрізкою. Однак для цього слід використовувати тільки належний робочий інструмент!

Більш детальну інформацію Ви можете отримати у найближчому сервісному центрі компанії **Hilti**.

3.4 Можливі варіанти неналежного використання

- Цей інструмент не призначений для обробки матеріалів, що становлять небезпеку для здоров'я людини.
- Цей інструмент не призначений для використання у вологому середовищі.

3.5 Active Vibration Reduction

Інструмент оснащений системою Active Vibration Reduction (AVR), яка значно знижує рівень вібрації.

3.6 Система ATC

Інструмент оснащений електронною системою аварійного вимкнення ATC (Active Torque Control).



Якщо станеться блокування або заклинювання робочого інструмента, інструмент може раптово та неконтрольовано зсунутися у напрямку, протилежному напрямку обертання робочого інструмента. Система АТС розпізнає цей раптовий обертальний рух та одразу вимикає інструмент.



Задля забезпечення належного функціонування не можна створювати перешкод для обертального руху інструмента.

У разі спрацювання системи аварійного вимкнення вимкніть інструмент, а потім увімкніть його знову.

3.7 Сервісний індикатор

Інструмент оснащений сервісним індикатором зі світловим сигналом.

3.7.1 Стан сервісного індикатора

Стан	Значення
Сервісний індикатор горить.	Інструмент потребує планового технічного обслуговування.
Сервісний індикатор мигає.	Передайте комбінований перфторатор до сервісної служби компанії Hilti для здійснення ремонту.

3.8 Комплект постачання

Комбінований перфторатор, бокова рукоятка, інструкція з експлуатації.

Інше приладдя, допущене до експлуатації з Вашим інструментом, Ви можете придбати у **Hilti Store** або на веб-сайті www.hilti.group

4 Технічні дані

4.1 Комбінований перфторатор



Номинальна напруга, номінальний струм, частота та номінальна споживана потужність вказані на заводській табличці інструмента, передбаченій для Вашої країни.

Якщо живлення інструмента здійснюється від генератора або трансформатора, то його вихідна потужність має принаймні вдвічі перевищувати номінальну споживану потужність, вказану на заводській табличці інструмента. Робоча напруга трансформатора або генератора повинна постійно перебувати у межах від +5 % до -15 % від номінальної напруги інструмента.

Маса згідно з процедурою ЕРТА 01	10 кг
----------------------------------	-------

4.2 Дані про шум та значення вібрації, виміряні згідно зі стандартом EN 60745

Наведені у цих рекомендаціях значення звукового тиску та вібрації були виміряні згідно з установленою процедурою вимірювання та можуть використовуватися для порівняння електроінструментів. Вони також придатні для попереднього оцінювання шумового та вібраційного навантаження. Наведені дані обумовлюють переважні сфери застосування електроінструмента. Однак якщо Ви використовуєте його не за призначенням, застосовуєте нестандартне приладдя або неналежним чином здійснюєте догляд за інструментом, ці дані можуть відрізнитися від вказаних значень. Це може призвести до помітного збільшення шумового та вібраційного навантаження протягом усього робочого часу. Для більш точної оцінки шумового та вібраційного навантаження необхідно враховувати також проміжки часу, протягом яких інструмент залишається вимкненим або працює на холостому ході. Це може значно зменшити вібраційне та шумове навантаження протягом усього робочого часу. Необхідно також вживати додаткових заходів безпеки з метою захисту працівників від дії шуму та/або вібрації, зокрема: проводити своєчасне технічне обслуговування електроінструмента та змінних робочих інструментів до нього, утримувати руки у теплі, належним чином організовувати робочий процес.

Рівень шуму

Рівень шумової потужності (L_{WA})	111 дБ(А)
Похибка для рівня шумової потужності (K_{WA})	3 дБ(А)



Рівень звукового тиску (L_{pA})	100 дБ(А)
Похибка для рівня звукового тиску (K_{pA})	3 дБ(А)

Сумарне значення вібрації

Рівень вібрації, що створюється під час ударного свердління отворів у бетоні ($a_{h, HD}$)	8,3 м/с ²
Рівень вібрації, що створюється під час довбання отворів ($a_{h, Cheq}$)	8 м/с ²
Похибка (К)	1,5 м/с ²

5 Експлуатація

5.1 Підготовка до роботи

ОБЕРЕЖНО

Ризик отримання травм! Випадкове увімкнення інструмента.

- ▶ Виймайте штепсельну вилку кабелю живлення з розетки, перш ніж задавати налаштування інструмента або замінювати приладдя.

Дотримуйтеся попереджувальних вказівок та вказівок з техніки безпеки, наведених у цьому документі та на корпусі інструмента.

5.1.1 Приєднання знімного кабелю живлення

ОБЕРЕЖНО

Ризик отримання травм внаслідок ураження струмом витoku, що утворюється через забруднення контактів.

- ▶ Рознімний з'єднувач кабелю живлення слід приєднувати до електроінструмента тільки у тому випадку, коли інструмент від'єднаний від мережі живлення та знаходиться у чистому сухому стані.

1. Уставте рознімний з'єднувач спеціальної форми, розташований на кінці кабелю живлення, у відповідне гніздо інструмента до упору, доки він не зафіксується із чітким характерним звуком.
2. Уставте штепсельну вилку кабелю живлення в розетку.

5.1.2 Від'єднання знімного кабелю живлення від електроінструмента

1. Вийміть штепсельну вилку кабелю живлення з розетки.
2. Натисніть кнопку блокування та вийміть рознімний з'єднувач спеціальної форми, розташований на кінці кабелю живлення.
3. Вийміть кабель живлення з інструмента.

5.1.3 Установлення бокової рукоятки

ОБЕРЕЖНО

Ризик отримання травм Втрата контролю над комбінованим перфоратором.

- ▶ Упевніться в тому, що бокова рукоятка правильно змонтована і належним чином закріплена. Переконайтеся, що натяжна стрічка знаходиться у призначеному для неї пазу на інструменті.

1. Прокрутіть головку-фіксатор, щоб вивільнити тримач (стягну стрічку) бокової рукоятки.
2. Насадіть тримач (стягну стрічку) спереду через затисний патрон у відповідний паз.
3. Установіть бокову рукоятку у потрібне положення.
4. Прокрутіть головку-фіксатор, щоб зафіксувати тримач (стягну стрічку) бокової рукоятки.

5.1.4 Установлення обмежувального упора (опція)

1. Прокрутіть головку-фіксатор, щоб вивільнити тримач (стягну стрічку) бокової рукоятки.
2. Уставте обмежувальний упор спереду у передбачені для нього 2 напрямні отвори.
3. Прокрутіть головку-фіксатор, щоб зафіксувати тримач (стягну стрічку) бокової рукоятки.



5.1.5 Фіксатор вимикача



У режимі довбання отворів вимикач може бути зафіксований в увімкнутому положенні.

- ▶ Скористайтеся фіксатором вимикача.

5.1.6 Установлення змінного робочого інструмента



Використання невідповідного консистентного мастила може спричинити несправність виробу. **Використовуйте лише оригінальне мастило виробництва компанії Hilti.**

1. Нанесіть мастило тонким шаром на хвостовик змінного робочого інструмента.
 - ▶ Використовуйте лише оригінальне мастило виробництва компанії **Hilti**. Використання неналежного мастила може спричинити несправність інструмента.
2. Установіть змінний робочий інструмент до упору у затискний патрон, щоб він зафіксувався.
3. Переконайтеся, що вставлений змінний робочий інструмент надійно зафіксований у патроні – для цього потягніть за робочий інструмент.
 - ▶ Інструмент готовий до роботи.

5.1.7 Виймання змінного робочого інструмента

- ▶ Відведіть фіксатор змінного робочого інструмента назад до упору та вийміть змінний робочий інструмент.



Використовуйте лише оригінальне мастило виробництва компанії **Hilti**. Використання невідповідного консистентного мастила може спричинити несправність виробу.

5.1.8 Установлення потрібної потужності



Регулювання потужності можливе тільки у тому випадку, коли інструмент увімкнений.

Щоб застосувати половинну потужність, натисніть кнопку половинної потужності. Індикатор потужності загориться, що сигналізуватиме про зменшену потужність. Якщо натиснути кнопку половинної потужності ще раз, інструмент знову перемикнеться на повну потужність свердління, а індикатор потужності згасне.

Якщо вимкнути інструмент, а потім увімкнути його знову, потужність буде встановлена на максимальне значення.

- ▶ Відрегулюйте потужність свердління.

5.2 Під час роботи



ПОПЕРЕДЖЕННЯ

Небезпека ураження електричним струмом! Якщо не використовувати дріт заземлення та автомат захисту від струму витоку, це може призвести до тяжких травм та опіків.

- ▶ Дріт заземлення та автомат захисту від струму витоку завжди повинні бути приєднані до електричного контуру будівельного майданчика – незалежно від того, чи здійснюється живлення від мережі або генератора.
- ▶ Не використовуйте інструмент без цих засобів безпеки.



ПОПЕРЕДЖЕННЯ

Небезпека через пошкодження кабелю! Якщо під час роботи було пошкоджено кабель живлення або подовжувальний кабель, негайно від'єднайте інструмент та кабелі від мережі живлення. Не торкайтеся пошкодженого місця!

- ▶ Регулярно перевіряйте усі з'єднувальні кабелі. Замінійте пошкоджені подовжувальні кабелі.

На виконання всіх робіт обов'язково отримайте дозвіл будівельного управління!



5.2.1 Безударне свердління отворів

Безударне свердління отворів можна виконувати, застосовуючи змінні робочі інструменти зі спеціальним хвостовиком. Вони розповсюджуються у рамках програми постачання змінних робочих інструментів компанії **Hilti**.

За допомогою швидкозатискного патрона, наприклад, можна встановлювати на інструмент свердла для деревини або сталі й виконувати ними безударне свердління отворів.

- ▶ Установіть перемикач функцій у положення

5.2.2 Ударне свердління отворів

- ▶ Установіть перемикач функцій у положення

5.2.3 Позиціонування зубила

ОБЕРЕЖНО

Ризик отримання травм! Втрата контролю над напрямом зубила.

- ▶ Забороняється працювати, коли перемикач функцій знаходиться в положенні «Позиціонування зубила». Установіть перемикач функцій у положення «Довбання отворів», поки він не зафіксується.

Зубило може бути виставлене в 24 різних позиціях (через кожні 15°). Це надає можливість працювати плоскими та фасонними зубилами в оптимальному для кожного їх різновиду робочому положенні.

- ▶ Установіть перемикач функцій у положення

5.2.4 Довбання отворів

- ▶ Установіть перемикач функцій у положення **T**.

6 Догляд і технічне обслуговування

ПОПЕРЕДЖЕННЯ

Небезпека ураження електричним струмом! Здійснення догляду та технічного обслуговування інструмента, що підключений до мережі живлення, може призвести до тяжких травм та опіків.

- ▶ Завжди діставайте штекер кабелю живлення з розетки, перш ніж розпочинати роботи з догляду та технічного обслуговування!

Догляд

- Обережно видаляйте накопичення бруду.
- Обережно прочищайте вентиляційні прорізи сухою щіткою.
- Протирайте корпус вологою тканиною. Забороняється використовувати миючі засоби, що містять силікон, оскільки вони можуть пошкодити пластмасові деталі.

Технічне обслуговування

ПОПЕРЕДЖЕННЯ

Небезпека ураження електричним струмом! Проведення неавторизованого ремонту електричних частин інструмента може призвести до отримання тяжких травм та опіків.

- ▶ До ремонту електричної частини інструмента залучайте лише фахівця-електрика.
- Регулярно перевіряйте усі зовнішні частини на наявність пошкоджень, а органи керування інструмента – на предмет справної роботи.
- Якщо Ви виявили пошкодження та/або порушення функціональності інструмента, припиніть його використання. Негайно зверніться до сервісної служби компанії **Hilti** для здійснення ремонту.
- Після проведення догляду і технічного обслуговування встановіть усі захисні пристрої та перевірте їхню роботу.





Щоб гарантувати належну роботу інструмента, використовуйте тільки оригінальні запасні частини та видаткові матеріали. Рекомендовані запасні частини, видаткові матеріали та приладдя для Вашого інструмента Ви можете придбати у найближчому магазині **Hilti Store** або на веб-сайті www.hilti.group.

6.1 Чищення пилозахисного ковпака

- ▶ Регулярно протирайте пилозахисний ковпак затискного патрона для робочого інструмента чистою сухою тканиною.
- ▶ Обережно протирайте робочу кромку ущільнення і злегка змащуйте її консистентним мастилом **Hilti**.
- ▶ Обов'язково замініть пилозахисний ковпак, якщо робоча кромка ущільнення пошкоджена.

7 Транспортування та зберігання

- Забороняється транспортувати цей електроінструмент з установленим змінним робочим інструментом.
- На час зберігання електроінструмента слід завжди виймати штепсельну вилку із розетки.
- Зберігайте інструмент у сухому місці, недоступному для дітей та сторонніх осіб.
- Перш ніж використовувати інструмент після довготривалого зберігання або дальніх перевезень, його слід перевірити на наявність пошкоджень.

8 Допомога у разі виникнення несправностей

У разі виникнення несправностей, які не зазначені у цій таблиці або які Ви не можете полагодити самостійно, зверніться до сервісної служби компанії **Hilti**.

8.1 Пошук і усунення несправностей

Несправність	Можлива причина	Рішення
Інструмент не вмикається.	Збій в мережі електроживлення.	▶ Приєднайте інший інструмент до мережі живлення та перевірте його функціональність.
	Генератор в режимі очікування (Sleep Mode).	▶ Збільште навантаження на генератор, підключивши до нього ще один пристрій (наприклад, освітлювальну лампу для будівельного майданчика). Вимкніть інструмент, а потім увімкніть його знову.
	Електронна система блокування повторного вмикання інструмента після збою в електромережі живлення активована.	▶ Вимкніть інструмент, а потім увімкніть його знову.
	Знімний кабель живлення підключений неналежним чином.	▶ Належним чином підключіть до електроінструмента знімний кабель живлення.
	Зношилися вугільні щітки.	▶ Для перевірки зверніться до фахівця-електрика і в разі необхідності виконайте заміну.
Відсутній удар.	Інструмент занадто холодний.	▶ Установіть інструмент на робочу поверхню та дайте йому попрацювати на холостому ходу. За необхідності повторіть операцію, доки ударний механізм не почне працювати.



Несправність	Можлива причина	Рішення
Інструмент працює не на повну потужність.	Подовжувальний кабель занадто довгий та/або має занадто малий поперечний переріз.	► Використовуйте подовжувальний кабель належної довжини та/або з достатнім поперечним перерізом.
	Вимикач неповністю натиснуто.	► Натисніть вимикач до упору.
	Занадто низька напруга джерела електроживлення.	► Підключіть інструмент до іншого джерела живлення.
	Натиснута кнопка вмикання половинної потужності.	► Натисніть кнопку вмикання половинної потужності.
Свердло не обертається.	Перемикач функцій не зафіксувався або знаходиться в положенні «Довбання отворів» T або «Позиціонування зубила» -3 .	► Коли інструмент зупинений, установіть перемикач функцій у положення «Ударне свердління отворів» 3T .
Свердло неможливо розблокувати з фіксатора.	Затискний патрон не повністю відведений назад.	► Відведіть фіксатор змінного робочого інструмента назад до упору і вийміть робочий інструмент.
	Бокова рукоятка неправильно змонтована.	► Зніміть бокову рукоятку, а потім належним чином установіть її знову, щоб натяжна стрічка й бокова рукоятка зафіксувалися в заглибині.
Інструмент вимикається у разі заклинювання свердла.	Щоб уникнути подальших випадків заклинювання, був активований електронний захисний пристрій.	► Розблокуйте свердло.
Сервісний індикатор мигає.	Несправність інструмента.	► Передайте інструмент до сервісної служби компанії Hilti для здійснення ремонту.
Сервісний індикатор горить.	Зносилися вугільні щітки.	► Для перевірки зверніться до фахівця-електрика і в разі необхідності виконайте заміну.

9 Утилізація

Більшість матеріалів, з яких виготовлено інструменти компанії **Hilti**, придатні для вторинної переробки. Передумовою для їхньої вторинної переробки є належне сортування відходів за типом матеріалу. У багатьох країнах світу компанія **Hilti** приймає старі інструменти для їхньої утилізації. Щоб отримати додаткову інформацію з цього питання, звертайтеся до сервісної служби компанії **Hilti** або до свого торгового консультанта.



- Не викидайте електроінструменти, електронні пристрої та акумуляторні батареї у баки для побутового сміття!

10 RoHS (директива КНП про обмеження використання небезпечних речовин)

Щоб переглянути таблицю з інформацією про небезпечні речовини, будь ласка, перейдіть за таким посиланням: qr.hilti.com/r6851673.

Посилання на таблицю з інформацією про речовини, включені до директиви RoHS, наведене наприкінці цього документа у вигляді QR-коду.

11 Гарантійні зобов'язання виробника

- Із питань гарантії, будь ласка, звертайтеся до Вашого місцевого партнера компанії **Hilti**.



Түпнұсқа пайдалану бойынша нұсқаулық**1 Құжаттама бойынша деректер****1.1 Бұл құжаттама туралы****Импорттауыш және өндірушінің өкілетті ұйымы**

- (RU) Ресей Федерациясы
"Хилти Дистрибьюшн ЛТД" АҚ, 141402, Мәскеу облысы, Химки қ., Ленинградская көш., ғим. 25
- (BY) Беларусь Республикасы
222750, Минск облысы, Дзержинский ауданы, Р-1, 18-ші км, 2 (Слободка ауылының жанында), 1-34 бөлімі
- (KZ) Қазақстан Республикасы
Қазақстан Республикасы, индекс 050011, Алматы қ., Пугачев көш., 4-үйі
- (KG) Қырғыз Республикасы
"Т AND Т" ЖШҚ, 720021, Қырғызстан, Бішкек қ., Ибраимов көш., 29 А үйі
- (AM) Армения Республикасы
Эйч-Кон ЖШҚ, Армения Республикасы, Ереван қ., Бабаян көш., 10/1 үйі

Өндірілген елі: жабдықтағы белгілеу тақтайшасын қараңыз.

Өндірілген күні: жабдықтағы белгілеу тақтайшасын қараңыз.

Тиісті сертификатты мына мекенжай бойынша табуға болады: www.hilti.ru

Сақтау, тасымалдау және пайдалану шарттарына пайдалану бойынша нұсқаулықта белгіленгеннен басқа арнайы талаптар қойылмайды.

Өнімнің қызмет ету мерзімі 5 жыл.

- Іске қосу алдында осы құжаттаманы оқып шығыңыз. Бұл қауіпсіз жұмыс пен ақаусыз басқару үшін алғышарт болып табылады.
- Осы құжаттамадағы және өнімдегі қауіпсіздік және ескерту нұсқауларын орындаңыз.
- Пайдалану бойынша нұсқаулықты әрдайым өнімде сақтаңыз және оны басқа тұлғаларға тек осы нұсқаулықпен бірге тапсырыңыз.

1.2 Шартты белгілердің анықтамасы**1.2.1 Ескерту**

Ескертулер өнімді қолдану барысындағы қауіптер туралы ескертеді. Төмендегі сигналдық сөздер пайдаланылады:

 ҚАУІПТІ**ҚАУІПТІ !**

- ▶ Ауыр жарақаттарға әкелетін немесе өмірге қауіп төндіретін тікелей қауіпті жағдайдың жалпы белгіленуі.

 ЕСКЕРТУ**ЕСКЕРТУ !**

- ▶ Ауыр жарақаттарға әкелуі немесе өмірге қауіп төндіруі мүмкін ықтимал қауіпті жағдайдың жалпы белгіленуі.

 АБАЙЛАҢЫЗ**АБАЙЛАҢЫЗ !**

- ▶ Жарақат алуға немесе мүліктің зақымдалуына әкелуі мүмкін ықтимал қауіпті жағдайдың жалпы белгіленуі.

1.2.2 Құжаттамадағы белгілер

Бұл құжаттамада төмендегі белгілер пайдаланылады:



	Пайдалану алдында пайдалану бойынша нұсқаулықты оқу қажет
	Аспапты пайдалану бойынша нұсқаулар және басқа пайдалы ақпарат
	Қайта пайдалануға болатын материалдармен жұмыс істеу
	Электр аспаптарды және аккумуляторларды тұрмыстық қоқысқа тастамаңыз

1.2.3 Суреттердегі белгілер

Суреттерде төмендегі белгілер қолданылады:

	Бұл сандар осы нұсқаулықтың басындағы әр суретке сәйкес келеді
3	Нөмірлеу суреттегі жұмыс қадамдарының реттілігін білдіреді және мәтіндегі жұмыс қадамдарынан өзгешеленуі мүмкін
	Позиция нөмірлері Шолу суретінде қолданылады және Өнімге шолу мақаласындағы шартты белгілердің нөмірлеріне сілтейді
	Аталмыш белгілер өнімді қолдану барысында айрықша назарыңызды аудартады.
	Аспаппен жұмыс істеу барысында қорғауыш қолғап киіңіз.

1.3 Өнімге қатысты белгілер

1.3.1 Өнімдегі белгілер

Өнімде төмендегі белгілер пайдаланылуы мүмкін:

V	Вольт
A	Ампер
Hz	Герц
/min	Минут ішіндегі айналымдар
RPM	Минут ішіндегі айналымдар
∅	Диаметр
	Айнымалы ток
	II қорғау класы (қос изоляция)
	Құрылғы iOS және Android платформаларымен үйлесімді NFC технологиясын қолдайды.

1.4 Өнім туралы ақпарат

HILTI өнімдері кәсіби пайдаланушыларға арналған және оларды тек қана өкілетті, білікті қызметкерлер пайдалануы, күтім және техникалық қызмет көрсетуі тиіс. Қызметкерлер қауіпсіздік техникасы бойынша арнайы нұсқау алуы керек. Өнім мен оның қосалқы құралдарын басқа мақсатта қолдану немесе олардың оқытылмаған қызметкерлердің тарапынан пайдаланылуы қауіпті.

Түр сипаттамасы мен сериялық нөмір фирмалық тақтайшада берілген.



- Сериялық нөмірді төмендегі кестеге көшіріп қойыңыз. Өнім туралы мәліметтерді өкілдігімізге немесе қызмет көрсету бөлімімізге сұрау беру арқылы алуға болады.

Өнім туралы мәліметтер

Құрама перфоратор	TE 70-ATC/AVR
Буын	04
Сериялық нөмір	

1.5 Сәйкестілік декларациясы

Біз осы нұсқаулықта сипатталған өнімнің қолданыстағы директивалар мен нормативтерге сәйкес келетінін толық жауапкершілікпен жариялаймыз. Сәйкестілік декларациясының суреті осы құжаттаманың соңында орналасқан.

Техникалық құжаттама мына жерде сақталған:

Hilti Entwicklungsgesellschaft mbH | Zulassung Geräte | Hiltistraße 6 | 86916 Kaufering, DE

2 Қауіпсіздік**2.1 Электр құралдары үшін қауіпсіздік техникасы бойынша жалпы нұсқаулар**

⚠ ЕСКЕРТУ Бұл электр құралына арналған барлық қауіпсіздік нұсқауларын, нұсқауларды, суреттерді және техникалық деректерді оқып шығыңыз. Төменде берілген нұсқауларды орындамау электр тогының соғуына, өртке әкелуі мүмкін және/немесе ауыр жарақаттарды тудыруы мүмкін.

Қауіпсіздік техникасы бойынша барлық нұсқауларды және нұсқауларды келесі пайдаланушы үшін сақтаңыз.

Қауіпсіздік нұсқауларында қолданылатын «электр құралы» термині электр желісінен (желілік кабельмен) және аккумулятордан (желілік кабельсіз) жұмыс істейтін электр құралын білдіреді.

Жұмыс орны

- **Жұмыс орнындағы тазалықты және тәртіпті қадағалаңыз.** Жұмыс орнындағы ретсіздік және нашар жарық сәтсіз жағдайларға әкелуі мүмкін.
- **Жанғыш сұйықтықтар, газдар немесе шаң бар жарылыс қаупі бар аймақта электр құралын қолданбаңыз.** Жұмыс кезінде электр құралдары ұшқындар шығады және ұшқындар шаңды немесе буларды тұтандыруы мүмкін.
- **Балалардың және бөгде адамдардың жұмыс істеп тұрған электр құралына жақындауына рұқсат етпеңіз.** Жұмысқа көңіл бөлмегенде, электр құралын бақылау жоғалуы мүмкін.

Электр қауіпсіздігі

- **Электр құралдың байланыс ашасы электр желісінің розеткасына сай болуы керек. Айырдың конструкциясын өзгертпеңіз. Қорғауыш жерге қосуы бар электр құралдарымен бірге өтпелі айырларды қолданбаңыз.** Түпнұсқа айырлар және оларға сай розеткелер электр тогының соғу қаупін азайтады.
- **Жерге қосылған беттерге, мысалы, құбырларға, жылыту құралдарына, пештерге (плиталарға) және тоңазытқыштарға тікелей тиюді болдырмаңыз.** Жерге қосылған заттарға тигенде электр тогының соғуының үлкен қаупі туындайды.
- **Электр құралдарды жаңбырдан немесе ылғал әсерінен сақтаңыз.** Электр құралға су тиюі нәтижесінде электр тогының соғу қаупі артады.
- **Байланыс сымын басқа мақсатта қолданбаңыз, мысалы, электр құралды тасымалдау, оны іліп қою немесе электр желісінің розеткасынан айырды шығару үшін. Байланыс сымын жылу, май, өткір жиектер немесе жылжымалы бөліктерден алшақ ұстаңыз.** Байланыс сымының зақымдалуы немесе қабаттасуы нәтижесінде электр тогының соғу қаупі артады.
- **Егер жұмыстар ашық ауада орындалса, тек бөлмелерден тыс қолдануға жарамды ұзартқыш сымды пайдалану электр тогының соғу қаупін азайтады.**
- **Егер электр құралмен ылғалдылық жағдайларында жұмыс істеуді болдырмау мүмкін емес болса, шығып кететін токтан қорғау автоматын қолданыңыз.** Шығып кететін токтан қорғау автоматын қолдану электр тогының соғу қаупін азайтады.

Адамдардың қауіпсіздігі

- **Ұқыпты болыңыз, әрекеттеріңізге көңіл бөліңіз және электр құралымен жұмыс істеуге дұрыс қараңыз.** Шаршаған кезде немесе есірткі, алкоголь не дәрі қабылдаған соң электр құралын қолданбаңыз. Электр құралын қолданған кездегі зейінсіздік ауыр жарақаттарға апарып соғуы мүмкін.



- ▶ **Жеке қорғану құралдарын пайдаланыңыз және әрқашан міндетті түрде қорғауыш көзілдірікті киіңіз.** Электр құралының түріне және пайдалану жағдайларына байланысты жеке қорғану құралдарын, мысалы, шаңнан қорғайтын респираторды, сырғымайтын аяқ киімді, қорғауыш шлемді, естуді қорғау құралдарын қолдану жарақаттану қаупін азайтады.
- ▶ **Электр құралының кездейсоқ қосылуын болдырмаңыз.** Электр қуатына қосу және/немесе аккумуляторды қою, көтеру немесе тасымалдау алдында электр құралы өшірілгеніне көз жеткізіңіз. Электр құралын тасымалдағанда саусақтар сөндіргіште болатын немесе қосылған электр құралы желіге қосылатын жағдайлар сәтсіз жағдайларға әкелуі мүмкін.
- ▶ **Электр құралын қосу алдында реттеуші құрылғыларды және гайка кілтін алыңыз.** Электр құралының айналатын бөлігіндегі аспап немесе кілт жарақаттарға әкелуі мүмкін.
- ▶ **Жұмыс кезінде ыңғайсыз қалыптарға тұрмауға тырысыңыз.** Үнемі тұрақты күйді және тепе-теңдікті сақтаңыз. Бұл қатпеген жағдайларда электр құралын жақсырақ басқаруға мүмкіндік береді.
- ▶ **Арнайы киімді киіңіз. Өте бос киімді немесе әшекейлерді кимеңіз. Шашты, киімді және қолғапты электр құралының айналатын түйіндерінен сақтаңыз.** Бос киім, әшекейлер және ұзын шаш оларға ілінуі мүмкін.
- ▶ **Егер шанды жинау және кетіруге арналған құрылғыларды қосу қарастырылған болса, олар қосылғанына және мақсаты бойынша қолданылып жатқанына көз жеткізіңіз.** Шанды кетіру модулін пайдалану шаңның зиянды әсерін азайтады.
- ▶ **Өз мойныңызға қате қауіпсіздік сезімін алмаңыз және электр құралына арналған қауіпсіздік ережелерін бұзбаңыз, тіпті электр құралын жиі қолданатын тәжірибелі пайдаланушы болсаңыз.** Мұқиятсыз қолдану бірнеше секундта ауыр жарақаттануға апарып соғуы мүмкін.

Электр құралын қолдану және оған қызмет көрсету

- ▶ **Аспапқа шамадан тыс жүктеме түсуін болдырмаңыз. Нақ осы жұмысқа арналған электр құралын қолданыңыз.** Бұл ережені сақтау көрсетілген қуат диапазонында жоғарырақ жұмыс сапасын және қауіпсіздігін қамтамасыз етеді.
- ▶ **Сөндіргіші бұзылған электр құралын қолданбаңыз.** Қосу немесе өшіру қиын электр құралы қауіпті және оны жөндеу керек.
- ▶ **Электр құралын реттеуге, саймандарды ауыстыруға кірісу алдында немесе жұмыстағы үзіліс алдында розеткадан ашаны және/немесе электр құралынан алмалы-салмалы аккумуляторды шығарыңыз.** Бұл сақтық шарасы электр құралының кездейсоқ қосылуын болдырмайды.
- ▶ **Қолданылмайтын электр құралдарын балалар жетпейтін жерде сақтаңыз.** Аспаппен таныс емес немесе осы нұсқауларды оқып шықпаған адамдарға аспапты пайдалануға рұқсат бермеңіз. Электр құралдары тәжірибесі жоқ пайдаланушылардың қолында қауіпті болады.
- ▶ **Электр құралдары мен керек-жарақтарға ұқыпты қараңыз.** Айналмалы бөліктердің мүлтіксіз қызмет ететінін, олардың жүрісінің жеңілдігін, барлық бөліктердің тұтастығын және электр құралының жұмысына теріс әсер етуі мүмкін зақымдардың жоқтығын тексеріңіз. Аспаптың зақымдалған бөліктерін оны қолдану алдында жөндеуге өткізіңіз. Электр құралына техникалық қызмет көрсету ережелерін сақтамау көп сәтсіз жағдайлардың себебі болып табылады.
- ▶ **Кескіш аспаптардың үшкір және таза болуын қадағалау керек.** Жұмыс күйінде сақталатын кескіш аспаптардың сыналануы сиректеу болады, оларды басқару жеңілдеу.
- ▶ **Электр құралын, саймандарды, көмекші құрылғыларды және т.б. нұсқауларға сай пайдаланыңыз.** Бұл кезде жұмыс жағдайларын және орындалатын жұмыстың сипатын ескеріңіз. Электр құралдарын басқа мақсаттарда қолдану қауіпті жағдайларға әкелуі мүмкін.
- ▶ **Тұтқыштар мен тұтқыш беттерін таза, құрғақ, май іздерінсіз ұстаңыз.** Сырғанақ тұтқыштар мен олардың беттері белгілі бір жағдайларда электр құралының қауіпсіз қолданылуы мен басқарылуына жол бермейді.

Қызмет көрсету

- ▶ **Электр құралын жөндеуді тек түпнұсқа қосалқы бөлшектерді қолданатын білікті қызметкерлерге сеніп тапсырыңыз.** Бұл электр құралын қауіпсіз күйде сақтауды қамтамасыз етеді.

2.2 Перфораторлармен жұмыс істеу кезіндегі қауіпсіздік техникасы бойынша нұсқаулар

Барлық жұмыстарға арналған қауіпсіздік техникасы бойынша нұсқаулар

- ▶ **Қорғауыш құлаққапты киіңіз.** Шшу әсерінің нәтижесінде есту қабілеті жоғалуы мүмкін.
- ▶ **Аспап жинағына кіретін қосымша тұтқыштарды қолданыңыз.** Аспапты басқаруды жоғалту жарақаттарға әкелуі мүмкін.



- ▶ **Электр құралын пайдалану алдында жақсылап тіреп қойыңыз.** Аталмыш электр құралы жоғары айналу моментін түрлендіреді. Электр құралы пайдалану барысында берік тірелмеген жағдайда, бақылау мүмкіндігінен айырылып, жарақат алуыңыз мүмкін.
- ▶ **Аспаптың жасырын электр сымдарын немесе желілік кабелді зақымдау қаупі болғанда аспапты оқшауланған беттерінен ұстаңыз.** Электр сымдарына тигенде аспаптың қорғалмаған металл бөліктері кернеу астында болады. Бұл электр тогының соғуына әкелуі мүмкін.

Ұзын бұрғы пайдаланылған кездегі қауіпсіздік техникасы бойынша нұсқаулар

- ▶ **Бұрғылау әрекетін әрдайым төмен айналу жиілігімен және бұрғы дайындамамен жанасып тұрғанда ғана бастаңыз.** Айналу жиілігі жоғары болған жағдайда бұрғы дайындамамен жанаспай еркін айналғаннан сәл қисайып кетуі және жарақаттануға апарып соғуы мүмкін.
- ▶ **Шамадан артық қысым қолданбаңыз және тек қана бойлық бағытпен бұрғылаңыз.** Бұрғылар қисайып жарылуы мүмкін немесе бақылау мүмкіндігінен айырылып, жарақат алуыңыз мүмкін.

2.3 Перфоратор қауіпсіздігі бойынша қосымша нұсқаулар

Адамдардың қауіпсіздігі

- ▶ Өнімді тек техникалық мінсіз күйінде қолданыңыз.
- ▶ Аспапта ешқашан бейімдеу не өзгерту жұмыстарын орындамаңыз.
- ▶ Аспап жинағына кіретін қосымша тұтқыштарды қолданыңыз. Аспапты басқаруды жоғалту жарақаттарға әкелуі мүмкін.
- ▶ Тесіп өтетін бұрғылау кезінде қауіпті аймақты қабырғаның қарама-қарсы жағынан қоршаңыз. Сыртқа шығатын және/немесе төмен түсетін сынықтар адамдарға жарақат тигізуі мүмкін.
- ▶ Әрқашан аспапты екі қолмен тұтқыштарынан берік ұстаңыз. Тұтқышты құрғақ әрі таза күйінде ұстаңыз.
- ▶ Пайдаланатын аспабыңыз көзден таса электр желісіне тиіп кетуі мүмкін болса, аспаптың арнайы жеке бөлінген жерінен ұстаңыз. Электр сымдарына тигенде аспаптың қорғалмаған металл бөліктері кернеу астында болады. Бұл электр тогының соғуына әкелуі мүмкін.
- ▶ Аспаптың айналатын бөлшектеріне тименгіз - жарақат алу қаупі бар!
- ▶ Аспапты қолданған кезде арнайы қорғаныс көзілдірігін, қорғаныс шлемін, құлаққап, қорғаныс қолғап пен жеңіл респиратор тағып жүріңіз.
- ▶ Құралды алмастырған кезде қорғаныс қолғаптарын да киіңіз. Алмалы-салмалы аспапқа тию кесіктерге және күйіктерге апарып соғуы мүмкін.
- ▶ Қорғауыш көзілдіріктерді пайдаланыңыз. Материалдың сынықтары денені және көзді жарақаттауы мүмкін.
- ▶ Жұмысты бастау алдында дайындама материалы бойынша пайда болатын шаңның қауіп класын анықтаңыз. Аспаппен жұмыс істеу үшін қорғаныс дәрежесі қолданыстағы шаңнан қорғау нормаларына сай құрылыс шаңсорғышын қолданыңыз. Құрамында қорғасын бар бояулар, ағаштың кейбір түрлері, бетон/кірпіш қалауы/кварц қамтитын жыныстар және минералдар мән металл сияқты материалдардан пайда болатын шаң денсаулық үшін зиянды болуы мүмкін.
- ▶ Жұмыс орнындағы ауа алмасуды жақсарту үшін әрекет етіңіз және қажетінше тиісті шаңға арналған респираторды тағыңыз. Мұндай шаңның бөлшектерімен дем алу немесе оған тию пайдаланушыларда немесе жанындағы адамдарда аллергиялық реакциялардың және/немесе дем алу жолдары ауруларының пайда болуына әкелуі мүмкін. Кейбір шаң түрлері (мысалы, еменді немесе шамшатты өңдеу кезінде пайда болатын шаң) канцерогенді деп есептеледі, әсіресе ағашты өңдеу үшін қолданылатын қосымша материалдармен (хром қышқылының тұзы, ағашты қорғау заттары) тіркесімде. Құрамында асбест бар материалдарды тек мамандар өңдеуі керек.
- ▶ Саусақтарыңыздың қандандыруын жақсарту үшін үзіліс жасап, жаттығулар жасаңыз. Ұзақ уақыт жұмыс істеген кезде, дірілдердің салдарынан саусақ, қол не буындардың қантамыры не жүйкесіне кері әсер тиюі мүмкін.

Электр қауіпсіздігі

- ▶ Жұмысты бастамас бұрын, жұмыс аймағындағы электрлік сымдар, газ бен су құбырлары жабық екендігіне көз жеткізіңіз. Ток сымына байқамастан зақым келтірген жағдайда, аспаптағы сыртта орналасқан металл бөлшектер ток соғу қаупін тудыруы мүмкін.

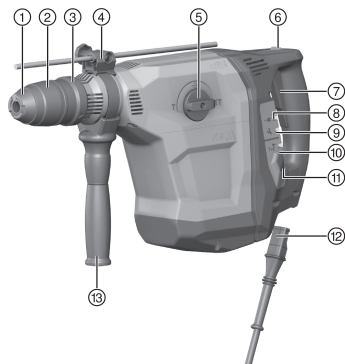
Электр құралмен дұрыс жұмыс істеу және оны дұрыс пайдалану

- ▶ Құрал блокталған кезде электр құралды бірден өшіріңіз. Аспап бүйірімен ауытқуы мүмкін.
- ▶ Электр құралды алып тастау алдында оның толығымен тоқтатылған күйге орнатылғанына дейін күтіңіз.



3 Сипаттама

3.1 Өнімге шолу



- ① Шаңнан қорғау қабы
- ② Құрал бекіткіші
- ③ Құрал босатқышы
- ④ Тереңдік шектегіші (көрек-жарақ)
- ⑤ Функцияны таңдау қосқышы
- ⑥ Қашауды бұғаттау
- ⑦ Негізгі сөндіргіш
- ⑧ Функциялық сигнал
- ⑨ Ақаулықтарды жою
- ⑩ Жартылай қуат индикаторы
- ⑪ Орташа қуат ажыратқышы
- ⑫ Кодталған, ажырайтын электрлік қосқышы бар желілік кабель
- ⑬ Бүйірлік тұтқыш

3.2 Мақсатына сай қолдану

Сипатталған өнім пневматикалық соғатын механизмі бар электр құрама перфоратор болып табылады. Ол бетон, кірпіш қалауы, ағаш пен металда бұрғылау жұмыстарына арналған. Бұған қоса, бұл өнімді кірпіш қалау бойынша жеңіл және орташа ауыр қашау жұмыстарын және бетон бойынша өңдеу жұмыстарын орындау үшін қолдануға болады.

- ▶ Аспапты тек фирмалық тақтайшада көрсетілгендей электр желісінің кернеуі болғанда пайдалану мүмкін болады.

3.3 Артқы қуысты анкер

Бұл өнім артқы қуысты анкерлерді орнату үшін жарамды. Тек арнайы қондыру құралдарын қолданыңыз! Егжей-тегжейлі ақпарат **Hilti** орталығында қолжетімді.

3.4 Ықтимал қате қолдану

- Аталған өнім денсаулық үшін зиянды материалдарды өңдеуге арналмаған.
- Аталған өнім ылғалды ортада жұмыс істеуге арналмаған.

3.5 Active Vibration Reduction

Өнім дірілді айтарлықтай азайтатын қосымша Active Vibration Reduction (AVR) жүйесімен жабдықталған.

3.6 ATC

Өнім электрондық апаттық тоқтату құралымен ATC (Active Torque Control) жабдықталған.

Егер алмалы-салмалы аспап бұғатталса немесе қысылып қалса, өнім кенеттен кері бағытпен бақылаусыз айнала бастайды. ATC өнімнің мұндай кенет айналу қозғалысын анықтап, өнімді бірден тоқтатады.



i Өнім қалыпты жұмыс істеуі үшін айналу мүмкіндігін сақтауы тиіс.
Жылдам өшіру орындалған соң, өнімді өшіріп қайта қосыңыз.

3.7 Қызметтік индикатор

Өнім жарық сигналы бар қызметтік индикатормен жабдықталған.

3.7.1 Қызметтік күй индикаторы

Құралдың бөлшектері	Сипаттамасы
Қызметтік индикатор жанып тұр.	Қызмет көрсету мерзімі шегіне жетті.
Қызметтік индикатор жыпылықтайды.	Құрама перфораторды Hilti қызмет көрсету орталығында жөндеңіз.

3.8 Жеткізілім жинағы

Құрама перфоратор, бүйірлік тұтқыш, пайдалану бойынша нұсқаулық.

Оған қоса өніміңіз үшін рұқсат етілген жүйелік өнімдерді **Hilti Store** дүкенінде немесе мына веб-сайттан табуға болады: www.hilti.group

4 Техникалық сипаттамалар

4.1 Құрама перфоратор

i Номиналды кернеу, номиналды ток, жиілік және номиналды тұтынылатын қуат туралы ақпарат елге тән фирмалық тақтайшада берілген.

Генераторда немесе трансформаторда жұмыс істеген кезде, осы шығыс қуат аспаптың фирмалық тақтайшасында көрсетілген номиналды тұтынылатын қуаттан ең кемі екі есе жоғары болуы керек. Трансформатор немесе генератордың басқару кернеуі әрдайым аспаптың номиналды тұтынылатын қуатының +5 % және -15 % аралығында болуы керек.

ЕРТА 01 процедурасы бойынша салмағы	10 кг
--	-------

4.2 EN 60745 стандарты бойынша шуыл туралы ақпарат және діріл мәні

Осы нұсқауларда көрсетілген дыбыс қысымы мен діріл деңгейі стандартты өлшеу әдісімен өлшенген және оны басқа электр құралдарымен салыстыру үшін пайдалануға болады. Сонымен бірге, ол экспозицияны алдын ала бағалау үшін жарайды. Берілген деректер электр құралдың негізгі жұмысын көрсетеді. Алайда, егер электр құралы басқа мақсаттарда, басқа жұмыс аспаптарымен қолданылса немесе оған қанағаттандырмайтын техникалық қызмет көрсетілсе, деректер өзгеше болуы мүмкін. Осының салдарынан аспаптың бүкіл жұмыс істеу кезеңінде экспозиция айтарлықтай артуы мүмкін. Экспозицияны дәл анықтау үшін аспап сәндірілген күйде немесе бос жұмыс істейтін уақыт аралықтарын да ескеру керек. Осының салдарынан аспаптың бүкіл жұмыс істеу кезеңінде экспозиция айтарлықтай азаюы мүмкін. Пайдаланушыны пайда болатын шуылдан және/немесе дірілден қорғау үшін қосымша сақтық шараларын қолданыңыз, мысалы: электр құралға және алмамы-салмалы аспаптарға техникалық қызмет көрсету, қолдардың жылуын сақтау, жұмыс процестерін дұрыс ұйымдастыру.

Шуылдың эмиссиялық көрсеткіші

Дыбыс күшінің деңгейі (L_{WA})	111 дБ(A)
Дыбыс күшінің деңгейі бойынша дәлсіздік (K_{WA})	3 дБ(A)
Эмиссиялық дыбыс қысымының деңгейі (L_{pA})	100 дБ(A)
Дыбыс қысымының деңгейі бойынша дәлсіздік (K_{pA})	3 дБ(A)

Дірілдің жалпы көрсеткіші

Дірілдің эмиссиялық көрсеткіші, бетонда перфоратормен бұрғылау ($a_{h,hd}$)	8,3 м/с ²
Дірілдің эмиссиялық көрсеткіші, кескішпен өңдеу ($a_{h,cheq}$)	8 м/с ²
Дәлсіздік (K)	1,5 м/с ²



5 Қызмет көрсету

5.1 Жұмысқа дайындық

АБАЙЛАҢЫЗ

Жарақат алу қаупі бар! Өнімнің кездейсоқ іске қосылуы.

- ▶ Аспап реттеулерін орындау немесе қосалқы бөлшектерді алмастыру алдында желілік ашаны тартып шығарыңыз.

Осы құжаттамадағы және өнімдегі қауіпсіздік және ескерту нұсқауларын орындаңыз.

5.1.1 Алмалы-салмалы желілік кабельді жалғау

АБАЙЛАҢЫЗ

Жарақат алу қаупі контактілер кірленген жағдайда кему тоғы арқылы.

- ▶ Ажырайтын электрлік қосқышты тек таза, құрғақ әрі тартылыссыз күйінде электрлік аспапқа жалғаңыз.

1. Кодталған, алмалы-салмалы электрлік қосқышты тірелуі естілгенше өнімге шегіне дейін енгізіңіз.
2. Желілік кабель ашасын розеткаға салыңыз.

5.1.2 Алмалы-салмалы желілік кабельді электрлік аспаптан ажырату

1. Кабель ашасын желілік розеткадан шығарыңыз.
2. Тежегіш түймені басып, кодталған, ажырайтын электрлік штепсельдік қосылымды ажыратыңыз.
3. Желілік кабельді аспаптан тартып шығарыңыз.

5.1.3 Бүйірлік тұтқышты орнату

АБАЙЛАҢЫЗ

Жарақат алу қаупі Құрама перфоратор басқарудың жоғалуы.

- ▶ Бүйірлік тұтқыш дұрыс орнатылғанын және берік бекітілгенін тексеріңіз. Бекітетін сақина аспаптағы оған арналған арнайы ойықта орналасқанына көз жеткізіңіз.

1. Бүйірлік тұтқыштың ұстағышын (тартылмалы таспаны) босату үшін, тұтқыш бойынша айналдырыңыз.
2. Ұстағышты (тартылмалы таспаны) алдыңғы жақтан құрал бекіткіші арқылы арнайы қарастырылған гайкаға дейін жылжытыңыз.
3. Бүйірлік тұтқышты қалаулы орынға орналастырыңыз.
4. Бүйірлік тұтқыштың ұстағышын (тартылмалы таспаны) керу үшін, тұтқыш бойынша айналдырыңыз.

5.1.4 Тереңдік шектегішін орнату (қосымша)

1. Бүйірлік тұтқыштың ұстағышын (тартылмалы таспаны) босату үшін, тұтқыш бойынша айналдырыңыз.
2. Тереңдік шектегішін алдыңғы жақтан арнайы қарастырылған 2 бағыттауыш саңылау ішіне жылжытыңыз.
3. Бүйірлік тұтқыштың ұстағышын (тартылмалы таспаны) керу үшін, тұтқыш бойынша айналдырыңыз.

5.1.5 Негізгі сөндіргіштің бекіткіші



Қашау режимінде негізгі сөндіргішті басылған күйде бекітуге болады.

- ▶ Негізгі сөндіргіштің бекіткішін іске қосыңыз.

5.1.6 Құралды орнату



Жарамсыз майды пайдалану нәтижесінде өнім зақымдалуы мүмкін. **Тек Hilti компаниясы ұсынған түпнұсқа жағармай қолданыңыз.**

1. Алмалы-салмалы аспап ұшын аздап майлаңыз.
 - ▶ Тек Hilti компаниясы ұсынған түпнұсқа жағармай қолданыңыз. Қате майды қолдану өнімге зақым келтіруі мүмкін.
2. Алмалы-салмалы аспапты аспап қысқысына тірелгенше салыңыз.



3. Орнатқаннан кейін қысқыда берік бекітілгеніне көз жеткізу үшін жұмыс аспабын өзіңізге тартыңыз.
 - ▶ Өнім жұмысқа дайын.

5.1.7 Құралды шығару

- ▶ Құрал құлпын шегіне дейін артқа тартыңыз және алмалы-салмалы құралды шығарыңыз.



Тек Hilti компаниясы ұсынған түпнұсқа жағармай қолданыңыз. Жарамсыз майды пайдалану нәтижесінде өнім зақымдалуы мүмкін.

5.1.8 Қуатты орнату



Қуатты реттеу тек аспап қосулы кезде мүмкін болады.

Орташа қуатты орнату үшін, «орташа қуат» түймесін басыңыз. Төменделген қуатты қуат индикаторы жанып белгілейді. «Орташа қуат» пернесін қайтадан басқаннан кейін аспап толық қуатқа ауысып, қуат индикаторы өшеді.

Өнімді өшіріп, қайта қосқан жағдайда, ол толық қуатқа қайта ауысуы мүмкін.

- ▶ Қуатты орнатыңыз.

5.2 Жұмыс істеу



ЕСКЕРТУ

Ток соғу қаупі! Бүлінген жерге тұйықтаушы сым мен автоматты ажыратқыш ауыр жарақаттарға және өртке апарып соғуы мүмкін.

- ▶ Құрылыс алаңындағы желі немесе генераторға қосылған электрлік жеткізуші сымда әрдайым жерге тұйықтаушы сымдар мен автоматты ажыратқыш бар екендігін және қосылып тұрғанын қадағалап тұрыңыз.
- ▶ Осы қауіпсіздік құралдарынсыз ешбір өнімді іске қоспаңыз.



ЕСКЕРТУ

Зақымдалған кабельден қауіп бар! Егер жұмыс барысында желілік немесе ұзартқыш кабельге зақым тисе, аспап пен кабельді дереу желіден ажыратыңыз. Бүлінген жерлерге тиіменіз!

- ▶ Барлық жалғағыш сымдарды жүйелі түрде тексеріп тұрыңыз. Бүлінген ұзартқыш кабельді алмастырыңыз.

Жұмыстарды құрылыс басқармасы толық көлемде мақұлдауы керек!

5.2.1 Соққысыз бұрғылау



Соққысыз бұрғылау арнайы соңы бар жұмыс аспаптарының көмегімен мүмкін. Hilti құралдар бағдарламасында мына құралдар қолжетімді.

Мысалы, тез қысу қысқысында цилиндрлік соңы бар ағаш немесе болат бойынша бұрғыны қысуға және соққысыз бұрғылауды орындауға болады.

- ▶ Режимдерді таңдау құралын күйіне орнатыңыз.

5.2.2 Соққымен бұрғылау (соғатын бұрғылау)

- ▶ Режимдерді таңдау құралын күйіне орнатыңыз.

5.2.3 Кескішті орналастыру



АБАЙЛАҢЫЗ

Жарақат алу қаупі бар! Кескіш бағытының бақылауын жоғалту.

- ▶ «Қашау күйін таңдау» күйінде жұмыс істемейсіз. Функцияны таңдау қосқышын тірелгенше "Кескішпен өңдеу" параметріне орнатыңыз.



Кескішті 24 түрлі позицияға (15° қадамға) орнатуға болады. Осының есебінен жалпақ және қалыпқа түсірілген кескіштерді қажетті жұмыс күйіне орнатуға болады.



- ▶ Режимдерді таңдау құралын  күйіне орнатыңыз.

5.2.4 Кескішпен өңдеу

- ▶ Режимдерді таңдау құралын **T** күйіне орнатыңыз.

6 Күту және техникалық қызмет көрсету

ЕСКЕРТУ

Ток соғу қаупі бар! Желілік аша енгізіліп тұрған кезде күтім және техникалық қызмет көрсету ауыр жарақаттарға және өртке апарып соғуы мүмкін.

- ▶ Кез келген күтім және техникалық қызмет көрсету жұмысын орындамас бұрын желілік ашаны әрдайым суырып алыңыз!

Аспапты күту

- Қатты жабысқан кірді мұқият кетіріңіз.
- Желдету ойықтарын құрғақ щеткамен жайлап тазалаңыз.
- Корпусты тек сәл суланған шүберекпен тазалаңыз. Ешқандай силикон қамтитын күтім құралдарын пайдаланбаңыз, өйткені олар пластмасса бөлшектерін зақымдауы мүмкін.

Техникалық қызмет көрсету

ЕСКЕРТУ

Ток соғу қаупі! Электрлік құрамдас бөлшектерді қате жөндеу ауыр жарақаттану мен өртке апарып соғуы мүмкін.

- ▶ Аспаптың электр бөлігін жөндеуді тек маман-электрикке тапсырыңыз.
- Барлық көзге көрінетін бөлшектерде зақымдардың бар-жоғын және басқару элементтерінің ақаусыз жұмысын жиі тексеріп тұрыңыз.
- Өнім зақымдалған және/немесе ақаулы болған жағдайда оны пайдаланушы болмаңыз. Бірден **Hilti** қызмет көрсету орталығына жөндетіңіз.
- Күтім және техникалық қызмет көрсету жұмыстарынан кейін барлық қорғауыш құрылғыларды орнатып, жұмысын тексеріңіз.



Қауіпсіз қолдану үшін тек түпнұсқа қосалқы бөлшектер мен жұмсалатын материалдарды қолданыңыз. Біз рұқсат еткен қосалқы бөлшектер, шығын материалдары мен өнімге арналған керек-жарақтар **Hilti Store** дүкенінде немесе келесі веб-сайтта қолжетімді: www.hilti.group.

6.1 Шаңнан қорғайтын қапты тазалау

- ▶ Құрал бекіткішіндегі шаңнан қорғайтын қапты таза, құрғақ шүберекпен тұрақты түрде тазалаңыз.
- ▶ Тығыздағышты жайлап тазалап сүртіңіз және оған **Hilti** жағармайының аз қабатын жағыңыз.
- ▶ Тығыздағыш зақымдалған болса, шаңнан қорғайтын қапты міндетті түрде ауыстырыңыз.

7 Тасымалдау және сақтау

- Электр аспапты енгізілген құралымен бірге тасымалдамаңыз.
- Электр аспапты әрқашан ажыратылған ашасымен бірге сақтаңыз.
- Аспапты құрғақ күйінде және балалар мен рұқсаты жоқ адамдардың қолы жетпейтін жерде сақтаңыз.
- Электр аспапты ұзақ уақыт тасымалдаған не сақтаған соң, оны пайдалану алдында зақымдардың бар-жоғын тексеріңіз.

8 Ақаулықтардағы көмек

Бұл кестеде келтірілмеген немесе өзіңіз түзете алмайтын ақаулықтар орын алғанда, **Hilti** қызмет көрсету орталығына хабарласыңыз.




8.1 Ақаулықтарды жою

Ақаулық	Ықтимал себеп	Шешім
Өнім жұмыс істемейді.	Электр қамтуы жоқ.	▶ Басқа электр құралын жалғап, жұмысын тексеріңіз.
	Генератор ұйқы режимінде.	▶ Генераторға екінші тұтынушы жүктеңіз (мысалы, құрылыс шамы). Содан кейін өнімді өшіріп қайта қосыңыз.
	Электр қамтуындағы үзілістен кейін іске қосуды электрондық бұғаттау белсендірілген.	▶ Өнімді өшіріп қайта қосыңыз.
	Алмалы-салмалы желілік кабель дұрыс жалғанбаған.	▶ Алмалы-салмалы желілік кабельді электрлік аспапқа дұрыстап жалғаңыз.
	Көмір қылшақтары тозған.	▶ Тексеру үшін маман-электрикке барыңыз және, қажет болса, ауыстырыңыз.
Соққымен бұрғылау орындалмайды.	Өнім тым суық.	▶ Өнімді астыңғы бетке қойып, бос жүріспен жұмыс істетіңіз. Қажет болса, соққы механизмі жұмыс істегенше әрекетті қайталаңыз.
Өнім толық қуатпен жұмыс істемей тұр.	Ұзартқыш кабель тым ұзын немесе қимасы жеткіліксіз.	▶ Ұзындығы ұйғарынды және/немесе қимасы жеткілікті ұзартқыш кабельді қолданыңыз.
	Негізгі сөндіргіш толық басылмаған.	▶ Сөндіргішті тірелгенше басыңыз.
	Қуат көзінің кернеуі тым төмен.	▶ Өнімді басқа қуат көзіне жалғаңыз.
	Жартылай қуат түймесі қосылады.	▶ «Орташа қуат» түймесін басыңыз.
Бұрғы айналмайды.	Функцияны таңдау қосқышы тірелмеген немесе «Кескішпен еңдеу» T немесе «Кескішті орналастыру» -> күйінде.	▶ Электр қозғалтқыш жұмыс істеп тұрмаған кезде функция ауыстырып-қосқышын «Соққымен бұрғылау» IT күйіне орнатыңыз.
Бұрғы бекітіштен босатылмайды.	Құрал бекіткіші толық босатылмаған.	▶ Бекіткішті артқа тірелгенше шығарыңыз және жұмыс аспабын шығарыңыз.
	Hilti қызмет көрсету орталығына барыңыз.	▶ Бүйірлік тұтқышты босатыңыз және дұрыс орнатыңыз, тартылмалы таспа мен бүйірлік тұтқыш ойыққа бекітілуі керек.
Бұрғы қысылған жағдайда өнім ешеді.	Электрондық қорғаныс құрылғысы қайта қысылуды болдырмау үшін іске қосылады.	▶ Бұрғыны босатыңыз.
Қызметтік индикатор жыпылықтайды.	Өнімдегі зақымдар.	▶ Өнімді Hilti қызмет көрсету орталығында жөндеңіз.
Қызметтік индикатор жанып тұр.	Көмір қылшақтары тозған.	▶ Тексеру үшін маман-электрикке барыңыз және, қажет болса, ауыстырыңыз.



9 Кәдеге жарату

 **Hilti** аспаптары қайта өңдеу үшін жарамды көптеген материалдардың санын қамтиды. Кәдеге жарату алдында материалдарды мұқият сұрыптау керек. Көптеген елдерде **Hilti** компаниясы ескі аспабыңызды қайта өңдеу үшін қайта қабылдайды. **Hilti** қызмет көрсету орталығынан немесе дилеріңізден сұраңыз.



- ▶ Электр құралдарды, электрондық құрылғылар мен аккумуляторларды тұрмыстық қоқыспен бірге тастамаңыз!

10 RoHS (зиянды заттектердің пайдаланылуын шектеу директивасы)

Төмендегі сілтеме бойынша зиянды заттектердің кестесі келтірілген: qr.hilti.com/r6851673.
RoHS кестесінің сілтемесі осы құжаттаманың соңында QR коды ретінде берілген.

11 Өндіруші кепілдігі

- ▶ Кепілдік шарттары туралы сұрақтарыңыз болса, жергілікті **Hilti** серіктесіне хабарласыңыз.

Оrijinal kullanım kılavuzu

1 Dokümantasyon verileri

1.1 Bu doküman için

- Çalıřtırmadan önce bu dokümanı okuyunuz. Bu, güvenli çalıřma ve arızasız kullanım için ön kořuldur.
- Bu dokümanda ve ürün üzerinde bulunan güvenlik ve uyarı bilgilerine dikkat ediniz.
- Kullanım kılavuzunu her zaman ürün üzerinde bulundurunuz ve ürünü sadece bu kılavuz ile birlikte başka kişilere veriniz.

1.2 Resim açıklaması

1.2.1 Uyarı bilgileri

Uyarı bilgileri, ürün ile çalıřırken ortaya çıkabilecek tehlikelere karşı uyarır. Ařağıdaki uyarı metinleri kullanılır:

TEHLİKE

TEHLİKE !

- ▶ Ağır vücut yaralanmalarına veya doğrudan ölüme sebep olabilecek tehlikeler için.

İKAZ

İKAZ !

- ▶ Ağır yaralanmalara veya ölüme neden olabilecek tehlikeler için.

DİKKAT

DİKKAT !

- ▶ Vücut yaralanmalarına veya maddi hasarlara yol açabilecek olası tehlikeli durumlar için.

1.2.2 Dokümandaki semboller

Bu dokümanda ařağıdaki semboller kullanılmıřtır:



Kullanmadan önce kullanım kılavuzunu okuyunuz



Kullanım uyarıları ve diđer gerekli bilgiler



Geri dönüşümlü malzemeler ile çalıřma





Elektrikli aletleri ve aküleri evdeki çöplere atmayınız

1.2.3 Resimlerdeki semboller

Resimlerde aşağıdaki semboller kullanılmıştır:

2	Bu sayılar, kılavuzun başlangıcındaki ilgili resimlere atanmıştır
3	Numaralandırma, resimdeki çalışma adımlarının sırasını göstermektedir ve metindeki çalışma adımlarından farklı olabilir
11	Pozisyon numaraları Genel bakış resminde kullanılır ve Ürüne genel bakış bölümündeki açıklama numaralarına referans niteliğindedir
	Bu işaret, ürün ile çalışırken dikkatinizi çekmek için koyulmuştur.
	Alet ile çalışırken koruyucu eldiven kullanınız.

1.3 Ürün ile ilgili semboller

1.3.1 Üründeki semboller

Üründe aşağıdaki semboller kullanılabilir:

V	Volt
A	Amper
Hz	Hertz
/min	Dakika başına devir
RPM	Dakika başına devir
∅	Çap
~	Dalgali akım
	Koruma sınıfı II (çift izolasyonlu)
	Ürün, iOS ve Android platformları ile uyumlu kablosuz veri aktarımını destekler.

1.4 Ürün bilgileri

HILTI ürünleri profesyonel kullanıcıların kullanımı için öngörülmüştür ve sadece yetkili personel tarafından kullanılabilir ve bakımı yapılabilir. Bu personel, meydana gelebilecek tehlikeler hakkında özel olarak eğitim görmüş olmalıdır. Aletin ve ilgili yardımcı gereçlerin eğitimsiz personel tarafından usulüne uygun olmayan şekilde kullanılması ve amaçları dışında çalıştırılması sonucu tehlikeli durumlar söz konusu olabilir.

Tip tanımı ve seri numarası, tip plakası üzerinde belirtilmiştir.

- Seri numarasını aşağıdaki tabloya aktarınız. Ürün bilgileri acente veya servis merkezini aradığınızda sorulabilir.

Ürün bilgileri

Kırcı-delici	TE 70-ATC/AVR
Nesil	04
Seri no.	

1.5 Uygunluk beyanı

Burada tanımlanan ürünün, geçerli yönetmeliklere ve normlara uygun olduğunu kendi sorumluluğumuzda beyan ederiz. Bu dokümantasyonun sonunda uygunluk beyanının bir kopyasını bulabilirsiniz.



2 Güvenlik

2.1 Elektrikli el aletleri için genel güvenlik uyarıları

⚠ İKAZ Bu elektrikli el aletine yönelik tüm güvenlik uyarılarını, talimatları, resimli açıklamaları ve teknik verileri dikkatlice okuyunuz. Aşağıdaki talimatlara uyulmaması durumunda elektrik çarpması, yangın ve/veya ağır yaralanmalar söz konusu olabilir.

Tüm güvenlik uyarılarını ve kullanım talimatlarınızı muhafaza ediniz.

Güvenlik uyarılarında kullanılan "Elektrikli el aleti terimi, şebeke işletimli elektrikli el aletleri (şebeke kablosu ile) veya akü işletimli elektrikli el aletleri (şebeke kablosu olmadan) ile ilgilidir.

İş yeri güvenliği

- ▶ **Çalışma alanınızı temiz ve aydınlık tutunuz.** Düzensiz veya aydınlatma olmayan çalışma alanları kazalara yol açabilir.
- ▶ **Yanıcı sıvıların, gazların veya tozların bulunduğu patlama tehlikesi olan yerlerde elektrikli el aleti ile çalışmayınız.** Elektrikli el aletleri, toz veya buharı yakabilecek kıvılcım oluşturur.
- ▶ **Elektrikli el aletini kullanırken çocukları ve diğer kişileri uzak tutunuz.** Dikkatiniz dağılırsa aletin kontrolünü kaybedebilirsiniz.

Elektrik güvenliği

- ▶ **Elektrikli el aletinin bağlantı fişi prize uygun olmalıdır. Fiş hiçbir şekilde değiştirilmemelidir. Adaptör fişini topraklama korumalı elektrikli el aletleri ile birlikte kullanmayınız.** Değiştirilmemiş fişler ve uygun prizler elektrik çarpması riskini azaltır.
- ▶ **Borular, radyatörler, fırınlar ve buzdolapları gibi toprağa temas eden üst yüzeylere vücudunuzla temas etmekten kaçınınız.** Vücudunuzun toprakla teması var ise yüksek bir elektrik çarpması riski söz konusudur.
- ▶ **Elektrikli el aletini yağmurdan veya ıslaklıktan uzak tutunuz.** Elektrikli el aletine su girmesi, elektrik çarpması riskini artırır.
- ▶ **Elektrikli el aletini taşımak, asmak veya fişi prizden çekmek için bağlantı kablosunu kullanım amacı dışında kullanmayınız. Bağlantı kablosunu sıcağtan, yağdan, keskin kenarlardan ve hareketli parçalardan uzak tutunuz.** Hasarlı veya dolanmış bağlantı kabloları elektrik çarpması riskini artırır.
- ▶ **Elektrikli bir el aleti ile açık alanda çalışacaksanız, sadece dışarıda kullanımına izin verilen uzatma kabloları kullanınız.** Dış mekanlar için uygun olan uzatma kablolarının kullanılması elektrik çarpması riskini azaltır.
- ▶ **Elektrikli el aleti işletiminin nemli ortamda yapılması kaçınılmaz ise bir kaçak akım koruma şalteri kullanınız.** Bir kaçak akım koruma şalterinin kullanımı elektrik çarpması riskini azaltır.

Kişilerin güvenliği

- ▶ **Dikkatli olunuz, ne yaptığınızı dikkat ediniz ve elektrikli el aleti ile mantıklı bir şekilde çalışınız.** Yorgunsanız veya uyuşturucu, alkol veya ilaç etkisi altında olduğunuzda elektrikli el aleti kullanmayınız. Elektrikli el aletini kullanırken bir anlık dikkatsizlik ciddi yaralanmalara neden olabilir.
- ▶ **Kişisel koruyucu donanım ve her zaman bir koruyucu gözlük takınız.** Elektrikli el aletinin türüne ve kullanımına göre toz maskesi, kaymayan güvenlik ayakkabısı, koruyucu kask veya kulaklık gibi kişisel koruyucu donanımların kullanılmasını yaralanma riskini azaltır.
- ▶ **İstem dışı çalışmayı önleyiniz. Güç kaynağına ve/veya aküyü bağlamadan, girişini yapmadan veya taşımadan önce elektrikli el aletinin kapalı olduğundan emin olunuz.** Elektrikli el aletini taşırken parmağınız şalterde ise veya alet açık konumda güç kaynağına takılırsa bu durum kazalara yol açabilir.
- ▶ **Elektrikli el aletini devreye almadan önce ayar aletlerini veya vidalama anahtarlarını çıkartınız.** Dönen bir alet parçasında bulunan bir alet veya anahtar yaralanmalara yol açabilir.
- ▶ **Aşırı bir vücut hareketinden sakınınız. Güvenli bir duruş sağlayınız ve her zaman dengeli tutunuz.** Böylece beklenmedik durumlarda elektrikli el aletini daha iyi kontrol edebilirsiniz.
- ▶ **Uygun kıyafetler giyiniz. Bol kıyafetler giymeyiniz veya takı takmayınız. Saçları, kıyafetleri ve eldivenleri hareket eden parçalardan uzak tutunuz.** Bol kıyafetler, takı veya uzun saçlar hareket eden parçalara takılabilir.
- ▶ **Toz emme ve tutma tertibatları monte edilebiliyorsa bunların bağlı olduğundan ve doğru kullanıldığından emin olunuz.** Bu toz emme tertibatının kullanımı tozdan kaynaklanabilecek tehlikeleri azaltabilir.
- ▶ **Kendi güvenliğinizi riske atmayınız ve elektrikli el aletleri kullanımında son derece tecrübeli olsanız bile ilgili güvenlik kurallarını ihlal etmeyiniz.** Dikkatsiz kullanım saniyeler içerisinde ciddi yaralanmalara neden olabilir.



Elektrikli el aletinin kullanımı ve çalıştırılması

- ▶ **Aleti çok fazla zorlamayın. Çalışmanız için uygun olan elektrikli el aletini kullanın.** Uygun elektrikli el aleti ile bildirilen hizmet alanında daha iyi ve güvenli çalışırsın.
- ▶ **Şalteri bozuk olan elektrikli el aletini kullanmayınız.** Açılıp kapatılmayan bir elektrikli el aleti tehlikelidir ve tamir edilmesi gerekir.
- ▶ **Alet ayarlarını yapmadan, aksesuar parçalarını değiştirmeden veya aleti bir yere koymadan önce fişi prizden ve/veya (çıkarılabilir) aküyü aletten çıkarınız.** Bu önlem, elektrikli el aletinin istem dışı çalışmasını engeller.
- ▶ **Kullanılmayan elektrikli el aletlerini çocukların erişemeyeceği yerde muhafaza edin. Aleti iyi tanımayan veya bu talimatları okumamış kişilere aleti kullandırmayınız.** Elektrikli el aletleri bilgisiz kişiler tarafından kullanılırsa tehlikelidir.
- ▶ **Elektrikli el aletlerinin ve aksesuarlarının bakımını titizlikle yapınız. Hareketli parçaların kusursuz çalıştığı ve sıkışmadığı, parçaların kırılıp kırılmadığı veya hasar görüp görmediği, elektrikli el aleti fonksiyonlarının kısıtlanma durumlarını kontrol ediniz. Hasarlı parçaları aleti kullanmadan önce tamir ettiriniz.** Birçok kazanın nedeni bakımı kötü yapılan elektrikli el aletleridir.
- ▶ **Kesme aletlerini keskin ve temiz tutun.** Özenle bakımı yapılmış keskin bıçak kenarı olan kesme aletleri daha az sıkışır ve kullanımı daha rahattır.
- ▶ **Elektrikli el aletini, aksesuarları, ek aletleri vb. bu talimatlara göre kullanın. Çalışma şartlarını ve yapılacak işi de ayrıca göz önünde bulundurun.** Elektrikli el aletlerinin öngörülen kullanımı dışında kullanılması tehlikeli durumlara yol açabilir.
- ▶ **Tutamağı ve tutamak yüzeylerini daima temiz ve yağ ve gresten arındırılmış durumda tutunuz.** Kaygan tutamaklar ve tutamak yüzeyleri güvenli bir kullanımı ve öngörülemez durumlarda elektrikli el aletinin kontrolünü engeller.

Servis

- ▶ **Elektrikli el aletinizi sadece kalifiye uzman personele ve sadece orijinal yedek parçalar ile tamir ettiriniz.** Böylece elektrikli el aletinin güvenliğinin korunduğundan emin olunur.

2.2 Kırcı-delici için güvenlik uyarıları

Tüm çalışmalara yönelik güvenlik uyarıları

- ▶ **Kulaklık takınız.** Aşırı sestten dolayı duyma kaybı meydana gelebilir.
- ▶ **Aletle birlikte verilen ek tutamakları kullanınız.** Kontrol kaybı yaralanmalara yol açabilir.
- ▶ **Elektrikli el aletini kullanmadan önce iyice destekleyiniz.** Bu elektrikli el aleti yüksek bir tork ile çalışır. Elektrikli el aleti çalışma sırasında güvenli şekilde desteklenmezse kontrol kaybedilebilir ve yaralanmalar söz konusu olabilir.
- ▶ **Kullandığınız aletin gizli elektrik hatlarına veya kendi şebeke kablosuna temas edebileceği yerlerde çalışıyorsanız aleti izolasyonlu tutamaklardan tutunuz.** Elektrik ileten bir hat ile temasta metal parçalar da gerilim altında kalır ve elektrik çarpmasına neden olabilir.

Uzun matkap ucu kullanımına yönelik güvenlik uyarıları

- ▶ **Delme işlemine her zaman düşük devir sayısı ile başlayınız ve matkap ucunun iş parçasına temas etmesini bekleyiniz.** Bunun üzerindeki devir sayılarında matkap ucu hafifçe bükülerek iş parçasına temas etmeden serbestçe dönebilir ve yaralanmalara neden olabilir.
- ▶ **Aşırı baskı uygulamayınız ve sadece matkap ucuna göre uzunlamasına yönde baskı uygulayınız.** Matkap ucu bükülebilir, bu nedenle kırılabilir veya kontrolün kaybedilmesine ve yaralanmalara neden olabilir.

2.3 Kırcı - delici ek güvenlik uyarıları

Kişilerin güvenliği

- ▶ **Ürünü sadece teknik açıdan sorunsuz durumdayken kullanın.**
- ▶ **Aletle hiç bir zaman manipülasyonlar veya değişiklikler yapmayın.**
- ▶ **Aletle birlikte verilen ek tutamakları kullanın.** Kontrol kaybı yaralanmalara yol açabilir.
- ▶ **Kırma çalışmalarında, çalışılacak yerin karşı tarafında bulunan bölgeyi emniyete alın. Kırılan parçalar dışarı ve / veya yere düşebilir ve diğer kişilerin yaralanmasına sebep olabilir.**
- ▶ **Aleti, her zaman iki elinizle öngörülen tutamaklardan sıkıca tutun.** Tutamakları kuru ve temiz tutun.
- ▶ **Kullandığınız aletin gizli elektrik hatlarına temas edebileceği yerlerde çalışıyorsanız ek aleti izolasyonlu tutamaklardan tutun.** Elektrik ileten bir hat ile temasta metal parçalar da gerilim altında kalır ve elektrik çarpmasına neden olabilir.
- ▶ **Dönen parçalara temas etmekten kaçının - Yaralanma tehlikesi!**



- ▶ Aletin kullanımı sırasında uygun bir koruyucu gözlük, koruyucu kask, kulaklık, koruyucu eldiven ve hafif bir solunum koruma maskesi takın.
- ▶ Matkap ucu değişimi sırasında koruyucu eldiven takın. Ek alete takılan uçlara dokunmak kesik ve yanık türünde yaralanmalara yol açabilir.
- ▶ Koruyucu gözlük kullanın. Etrafa sıçrayan malzeme vücudu ve gözleri yaralayabilir.
- ▶ Çalışmaya başlamadan önce çalışma sırasında ortaya çıkan tozun tehlike sınıfını öğrenin. Ülkenizdeki tozdan koruma yönergelerine uygun bir resmi koruma sınıfına sahip toz emme tertibatı kullanın. Kurşun içeren boyalar gibi malzemelerin tozu, bazı ahşap türleri, kuartz içeren beton / duvar / taşlar, mineraller ve metaller sağlığa zarar verebilir.
- ▶ Çalışma yerinin iyi havalandırmasını sağlayın ve gerektiği durumlarda ilgili toz için uygun olan bir maske kullanın. Tozlara dokunulması veya tozların solunması, kullanıcıda veya yakınında bulunan kişilerde alerjik reaksiyonlara ve/veya solunum yolu hastalıklarına yol açabilir. Kayın veya meşe ağacı gibi belli tür tozlar özellikle ahşap işlemede ek maddelerle (kromat, ahşap koruyucu malzemeler) bağlantılı çalışıldığında kanser yapıcı olarak kabul edilir. Asbest içeren malzemeler sadece uzman kişiler tarafından işlenmelidir.
- ▶ Parmaklarınızdaki kan dolaşımının daha iyi olması için çalışma molaları verin ve parmak egzersizleri yapın. Uzun süreli çalışmalarda titreşimden dolayı parmaklar, eller veya bileklerdeki kan damarlarında veya sinir sisteminde rahatsızlıklar oluşabilir.

Elektrik güvenliği

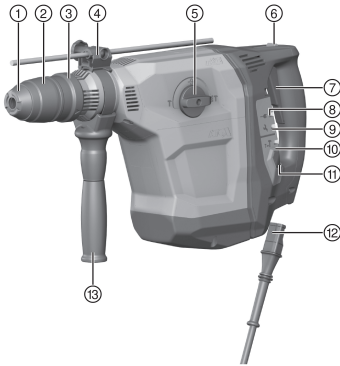
- ▶ Çalışmaya başlamadan önce çalışma alanında üzeri kapatılmış elektrik kablosu, gaz ve su borusu bulunup bulunmadığını kontrol edin. Bir elektrik hattına kazara zarar verilmesi halinde, aletin dışındaki metal parçalar elektrik çarpmasına neden olabilir.

Elektrikli el aletleri ile dikkatli çalışılması ve aletin doğru kullanılması

- ▶ Takımın bloke olması halinde, elektrikli el aletini derhal kapatın. Alet yana doğru kayabilir.
- ▶ Yere koymadan önce elektrikli el aletinin tamamen durmasını bekleyin.

3 Tanımlama

3.1 Ürüne genel bakış 1



- ① Tozdan koruma kapağı
- ② Alet bağlantı yeri
- ③ Alet kilit açma sistemi
- ④ Derinlik mesnedi (aksesuar)
- ⑤ Fonksiyon seçme şalteri
- ⑥ Keski kilidi
- ⑦ Kumanda şalteri
- ⑧ Fonksiyon sinyali
- ⑨ Servis göstergesi
- ⑩ Yarım güç için gösterge
- ⑪ Yarım güç için şalter
- ⑫ Kodlanmış, çekilebilir konektörlü şebeke kablosu
- ⑬ Yan tutamak



3.2 Usulüne uygun kullanım

Açıklanan ürün elektrikle çalışan, pnömatik darbe mekanizmalı bir kırıcı delicidir. Beton, duvar, ahşap ve metal yüzeylerdeki delme işleri için tasarlanmıştır. Bu ürün ayrıca duvardaki hafif-orta kesikleme işleri ve beton üzerindeki ilave çalışmalar için de kullanılabilir.

- Çalışma sadece tip plakasında verilen şebeke gerilimi ve frekansta gerçekleşmelidir.

3.3 Alttan kesme ankrajı

Bu ürün, alttan kesme ankrajları için uygundur. Sadece uygun yerleştirme aletleri kullanınız! Ayrıntılı bilgileri **Hilti Center**'dan öğrenebilirsiniz.

3.4 Olası yanlış kullanım

- Bu ürün, sağlığa zararlı maddelerin işlenmesi için uygun değildir.
- Bu ürün, nemli ortamlardaki çalışmalar için uygun değildir.

3.5 Active Vibration Reduction

Üründe opsiyonel olarak titreşimleri önemli ölçüde azaltan Active Vibration Reduction (AVR) sistemi mevcuttur.

3.6 ATC

Ürün, elektronik hızlı kapatma donanımına ATC (Active Torque Control) sahiptir.

Ek alet takılır veya sıkırsa, ürün aniden kontrolsüz şekilde ters yönde dönmeye başlar. ATC, ürünün bu ani dönme hareketini algılar ve ürünü derhal kapatır.



Usulüne uygun çalışma durumu için ürünün dönebilmesi gereklidir.

Başarılı hızlı kapatmanın ardından, ürünü kapatınız ve tekrar açınız.

3.7 Servis göstergesi

Üründe ışık sinyalli bir servis göstergesi mevcuttur.

3.7.1 Servis göstergesi durumu

Durum	Anlamı
Servis göstergesi yanıyor.	Servis ömrüne ulaşıldı.
Servis göstergesi yanıp sönüyor.	Kırıcı-delicinin bir Hilti servisinde onarılmasını sağlayınız.

3.8 Teslimat kapsamı

Çok yönlü kırıcı-delici, yan tutamak, kullanım kılavuzu.

Ürün için izin verilen diğer sistem ürünlerini **Hilti Store**'da veya şu adreste bulabilirsiniz: www.hilti.group

4 Teknik veriler

4.1 Kırıcı-Delici



Nominal gerilim, nominal akım, frekans ve nominal akım tüketimini ülkenize özgü tip plakasında bulabilirsiniz.

Jeneratörlü veya transformatörlü bir işletim durumunda çıkış gücü, aletin tip plakasında belirtilen nominal akım tüketiminin en az iki katı büyüklüğünde olmalıdır. Transformatörün veya jeneratörün çalışma gerilimi her zaman alet nominal geriliminin +%5'i ile -%15'i arasında olmalıdır.

EPTA prosedürü 01 uyarınca ağırlık	10 kg
------------------------------------	-------

4.2 EN 60745 uyarınca ses bilgisi ve titreşim değerleri

Bu talimatlarda belirtilen ses basıncı ve titreşim değerleri, ilgili normlara uygun bir ölçüm metodu ile ölçülmüştür ve elektrikli el aletlerinin birbirleri ile karşılaştırılması için kullanılabilir. Zorlanmaların geçici olarak



değerlendirmesine de uygundur. Belirtilen değerler, elektrikli el aletinin ana kullanım alanlarını temsil eder. Elektrikli el aletinin, farklı ek aletlerle veya yetersiz bakım yapılmış şekilde kullanılması durumunda, veriler sapma gösterebilir. Bu durum, toplam çalışma süresi boyunca zorlanmayı belirgin şekilde yükseltebilir. Doğru bir zorlanma değerlendirmesi için aletin kapatıldığı veya çalışır konumda olduğu ve ayrıca kullanımda olmadığı zamanlar da dikkate alınmalıdır. Bu durum, toplam çalışma süresi boyunca zorlanmayı belirgin şekilde azaltabilir. Kullanıcıyı ses ve/veya titreşimin etkilerinden koruyacak ek güvenlik önlemleri belirleyiniz, örneğin: Elektrikli el aletinin ve ek aletlerin bakımının yapılması, ellerin sıcak tutulması, iş akışlarının düzenlenmesi.

Ses emisyonu değerleri

Ses gücü seviyesi (L_{WA})	111 dB(A)
Ses gücü seviyesi için emniyetsizlik (K_{WA})	3 dB(A)
Emisyon ses basıncı seviyesi (L_{pA})	100 dB(A)
Ses basıncı seviyesi için emniyetsizlik (K_{pA})	3 dB(A)

Toplam titreşim değerleri

Beton için kırıcı-delicilere yönelik titreşim emisyon değeri ($a_{h,HD}$)	8,3 m/sn ²
Kesikleme için titreşim emisyon değeri ($a_{h,Cheq}$)	8 m/sn ²
Emniyetsizlik (K)	1,5 m/sn ²

5 Kullanım

5.1 Çalışma hazırlığı

DİKKAT

Yaralanma tehlikesi! Ürünün yanlışlıkla çalışmaya başlaması.

- ▶ Aletin ayarlarını yapmadan veya aksesuar parçalarını değiştirmeden önce şebeke fişini çekin.

Bu dokümanda ve ürün üzerinde bulunan güvenlik ve uyarı bilgilerine dikkat ediniz.

5.1.1 Geçmeli şebeke kablosunun bağlanması

DİKKAT

Yaralanma tehlikesi Kirlenmiş kontaklardaki kaçak akımlar nedeniyle.

- ▶ Çıkarılabilir elektrik soket bağlantısını sadece temiz, kuru ve gerilimsiz bir durumdayken elektrikli el aletine bağlayınız.

1. Kodlanmış, sökülebilir elektrikli soket bağlantısını dayanak noktasına kadar ürüne yerleştiriniz, kilit duyulur şekilde yerine oturuncaya kadar itiniz.
2. Şebeke fişini prize takınız.

5.1.2 Geçmeli şebeke kablosunun elektrikli el aletinden ayrılması

1. Şebeke fişini prizden çekiniz.
2. Kodlanmış, sökülebilir kilitleme tuşuna basınız ve Kodlanmış, sökülebilir elektrikli soket bağlantısını sökünüz.
3. Şebeke kablosunu aletten çıkarınız.

5.1.3 Yan tutamak montajı

DİKKAT

Yaralanma tehlikesi Kırıcı-delici üzerindeki kontrolün kaybedilmesi.

- ▶ Yan tutamağın doğru monte edildiğinden ve usulüne uygun şekilde sabitlendiğinden emin olunuz. Germe bandının aletin öngörülen kanalında olduğundan emin olunuz.

1. Yan tutamak tutucusunu (germe bandı) sökmek için tutamağı çeviriniz.
2. Tutamağı (germe bandı), bunun için öngörülen oyuğa kadar alet bağlantı yeri üzerinden öne doğru itiniz.
3. Yan tutamağı istenen konuma konumlandırınız.
4. Yan tutamak tutucusunu (germe bandı) germek için tutamağı çeviriniz.



5.1.4 Derinlik mesnedinin monte edilmesi (opsiyonel)

1. Yan tutamak tutucusunu (germe bandı) sökmek için tutamağı çeviriniz.
2. Derinlik mesnedini, önden bunun için öngörülen 2 kılavuz deliğine itiniz.
3. Yan tutamak tutucusunu (germe bandı) germek için tutamağı çeviriniz.

5.1.5 Kumanda şalteri kilidi



Keski çalışma modunda kumanda şalterini açık durumdayken kilitleyebilirsiniz.

- ▶ Kumanda şalteri kilidine basınız.

5.1.6 Aletin takılması



Uygun olmayan bir gres kullanılması, üründe hasarlara neden olabilir. **Sadece Hilti marka orijinal gres kullanınız.**

1. Ek aletin giriş ucunu gresle hafifçe yağlayınız.
 - ▶ Sadece **Hilti** marka orijinal gres kullanınız. Yanlış bir gres tipi üründe hasara neden olabilir.
2. Ek aleti dayanak yerine kadar alet bağlantı yerine yerleştirip oturtunuz.
3. Aleti yerleştirdikten sonra çekerek güvenli kilitleme durumunu kontrol ediniz.
 - ▶ Ürün kullanıma hazırdır.

5.1.7 Aletin çıkartılması

- ▶ Alet kilidini dayanak noktasına kadar geri çekin ve ek aleti çıkarın.



Sadece **Hilti** marka orijinal gres kullanınız. Uygun olmayan bir gres kullanılması, üründe hasarlara neden olabilir.

5.1.8 Güç ayarı



Güç ayarı sadece "Açık" işletim durumunda yapılabilir.

Yarım güç ayarı yapmak için "Yarım güç" tuşuna basınız. Gücün azaltıldığı güç göstergesinin yanması ile belirtilir. "Yarım güç" tuşuna tekrar basıldığında, alet tekrar tam güç moduna geçer ve güç göstergesi söner.

Ürün kapatılıp yeniden açılırsa tam güç aynı şekilde tekrar devreye girer.

- ▶ Gücü ayarlayın.

5.2 Çalışma

İKAZ

Elektrik çarpması tehlikesi! Topraklama kablosunun ve kaçak akım koruma şalterinin olmaması, ciddi yaralanmalara ve yanıklara neden olabilir.

- ▶ İnşaat alanındaki elektrikli şebeke veya jeneratör hatlarında daima topraklama hattı ve kaçak akım koruma şalteri olduğundan ve bunların bağlı olduğundan emin olunuz.
- ▶ Bu güvenlik önlemleri olmadan hiçbir ürünü çalıştırmayınız.

İKAZ

Hasarlı kablo nedeniyle tehlike! Eğer çalışma sırasında şebeke veya uzatma kablosu hasar görürse aleti ve kabloyu derhal şebekeden ayırınız. Hasar görmüş yere dokunmayınız!

- ▶ Tüm bağlantı hatlarını düzenli olarak kontrol ediniz. Hasar görmüş uzatma kablolarını değiştiriniz.

İşleri tam kapsamlı olarak inşaat bölümüne onaylatınız!



5.2.1 Darbesiz delme



Aletleri darbesiz delme, özel matkap uçlu aletlerle mümkündür. **Hilti** alet programında bu tür aletler mevcuttur.

Anahtarsız mandren ile örneğin ahşap veya çelik delim ucu silindirik şaftla bağlanabilir ve darbesiz delme işlemi gerçekleştirilebilir.

- Fonksiyon seçme şalterini  konumuna getiriniz.

5.2.2 Darbe ile delme (darbeli delme)

- Fonksiyon seçme şalterini  konumuna getiriniz.

5.2.3 Keski konumlandırma

DİKKAT

Yaralanma tehlikesi! Keski yönü kontrolünü kaybetme.

- "Keski konumlandırma" konumunda çalışmayınız. Fonksiyon seçme şalterini "Keskilene" konumuna oturuncaya kadar döndürünüz.



Keski, 24 farklı konumda (15°'lik kademelerle) ayarlanabilir. Böylece yassı ve kalıp keski ile her zaman en uygun çalışma konumunda çalışılabilir.

- Fonksiyon seçme şalterini  konumuna getiriniz.

5.2.4 Keskilene

- Fonksiyon seçme şalterini  konumuna getiriniz.

6 Bakım ve onarım

İKAZ

Elektrik çarpması tehlikesi! Şebeke fişi takılıyken yapılan bakım ve onarım çalışmaları ciddi yaralanmalara ve yanıklara neden olabilir.

- Tüm bakım ve onarım çalışmalarından önce her zaman şebeke fişi çekilmelidir!

Bakım

- Yapışmış olan kir dikkatlice çıkarılmalıdır.
- Havalandırma deliklerini kuru bir fırça ile dikkatlice temizleyiniz.
- Gövde sadece hafif nemli bir bezle temizlenmelidir. Plastik parçalara yapışabileceğinden silikon içerikli bakım maddeleri kullanılmamalıdır.

Onarım

İKAZ

Elektrik çarpması tehlikesi! Elektrikli parçalarda usulüne uygun olmayan onarımlar ciddi yaralanmalara ve yanıklara neden olabilir.

- Elektrik parçalarındaki onarımlar sadece elektronik uzmanı tarafından yapılabilir.
- Görünür tüm parçalarda hasar olup olmadığı ve kumanda elemanlarının sorunsuz şekilde çalıştığı kontrol edilmelidir.
- Hasar ve/veya fonksiyon arızaları durumunda ürün çalıştırılmamalıdır. Derhal **Hilti** servisi tarafından onarılmalıdır.
- Bakım ve onarım çalışmalarından sonra tüm koruma tertibatları yerleştirilmeli ve fonksiyonları kontrol edilmelidir.



Güvenli çalışma için sadece orijinal yedek parçalar ve sarf malzemeleri kullanınız. Tarafımızdan onaylanmış, yedek parçaları, aksesuarları ve sarf malzemelerini **Hilti Store** veya adresinde bulabilirsiniz. www.hilti.group.



6.1 Tozdan koruma kapağının temizlenmesi

- ▶ Tozdan koruma kapağını düzenli bir şekilde alet bağlantı yerinden temiz, kuru bir bez ile temizleyiniz.
- ▶ Conta ağızını dikkatlice silerek temizleyiniz ve hafifçe **Hilti** yağı ile yağlayınız.
- ▶ Conta ağızı hasarlı ise tozdan koruma kapağı mutlaka değiştirilmelidir.

7 Taşıma ve depolama

- Elektrikli cihazı takımlar takılı iken taşımayınız.
- Elektrikli cihazı daima şebeke fişi çekili olarak saklayınız.
- Aleti çocukların ve yetkisiz kişilerin erişemeyeceği ve kuru yerlerde saklayınız.
- Uzun süren nakliye veya depolama sonrası kullanmadan önce elektrikli aletin hasar görmüş olup olmadığını kontrol ediniz.

8 Arıza durumunda yardım

Bu tabloda listelenmemiş veya kendi başınıza gideremediğiniz arızalarda lütfen yetkili **Hilti** servisimiz ile irtibat kurunuz.


8.1 Hata arama

Anıza	Olası sebepler	Çözüm
Ürün çalıştırmıyor.	Şebeke elektriği kesik.	▶ Başka bir elektrikli alet takınız ve çalışıp çalışmadığını kontrol ediniz.
	Jeneratör uykü modunda.	▶ Jeneratörü ikinci bir tüketici (örneğin şantiye lambası) ile yük altına alınız. Daha sonra ürünü kapatınız ve tekrar açınız.
	Elektronik çalışma blokajı güç kaynağı kesikliğinden sonra aktiftir.	▶ Ürünü kapatınız ve tekrar açınız.
	Geçmeli şebeke kablosu doğru takılmamış.	▶ Geçmeli şebeke kablosunu elektrikli el aletine doğru şekilde bağlayınız.
	Kömür aşınmış.	▶ Elektronik uzmanına kontrol ettiriniz ve gerekirse yeniletiniz.
Darbe yok.	Ürün çok soğuk.	▶ Ürünü zemine yerleştiriniz ve rölantide çalıştırınız. Darbe mekanizması çalışıncaya kadar gerektiği kadar tekrarlayınız.
Ürün tam güce sahip değil.	Uzatma kablosu çok uzun ve / veya kesitleri yetersiz.	▶ Uzatma kablosu izin verilen uzunlukta ve / veya yeterli kesitte kullanılmalıdır.
	Kumanda şalteri tam basılı değil.	▶ Kumanda şalterini dayanak noktasına kadar bastırınız.
	Güç kaynağının gerilimi çok düşük.	▶ Ürünü başka bir güç kaynağına bağlayınız.
	Yarım güç tuşu açık.	▶ "Yarım güç" tuşuna basınız.
Matkap ucu dönmüyor.	Fonksiyon seçme şalteri yerine oturmamış veya "Kesileme" T veya "Keski konumlandırma" -> konumunda bulunuyor.	▶ Durma konumunda fonksiyon seçme şalterini "Darbeli delme" ⚡ konumuna getiriniz.
Matkap ucu kilitten çözülmüyor.	Alet bağlantı yeri tam olarak geri çekilmemiş.	▶ Alet kilidini dayanağa kadar geri çekiniz ve aleti dışarı çıkartınız.
	Yan tutamak doğru monte edilmiş.	▶ Germe bandı ve yan tutamağın boşluğa oturması için yan tutamak sökülmeli ve doğru monte edilmelidir.



Arıza	Olası sebepler	Çözüm
Ürün matkap sıkışması durumunda kapanır.	Tekrar sıkışma olmasını önlemek için elektronik koruma tertibatı etkinleştirildi.	► Matkabı sökünüz.
Servis göstergesi yanıp sönüyor.	Ürün üzerinde hasar.	► Ürün Hilti servisi tarafından onarılmalıdır.
Servis göstergesi yanıyor.	Kömür aşınmış.	► Elektronik uzmanına kontrol ettiriniz ve gerekirse yeniletiniz.

9 İmha

 **Hilti** aletleri yüksek oranda geri dönüşümlü malzemelerden üretilmiştir. Geri dönüşüm için gerekli koşul, usulüne uygun malzeme ayırımıdır. Çoğu ülkede **Hilti**, eski aletlerini yeniden değerlendirmek üzere geri alır. Bu konuda **Hilti** müşteri hizmetlerinden veya satış temsilcinizden bilgi alabilirsiniz.



- Elektrikli el aletlerini, elektronik cihazları ve aküleri evdeki çöplere atmayınız!

10 RoHS (Tehlikeli madde kullanımını kısıtlama direktifi)

Aşağıdaki linkte tehlikeli maddeler tablosunu bulabilirsiniz: qr.hilti.com/r6851673.
RoHS tablosunun linkini bu dokümanın sonunda QR kodu olarak bulabilirsiniz.

11 Üretici garantisi

- Garanti koşullarına ilişkin sorularınız için lütfen yerel **Hilti** iş ortağınıza başvurunuz.



1 بيانات المستند

1.1 حول هذا المستند

- اقرأ هذه المستندات بالكامل قبل التشغيل. يعتبر هذا شرطا للعمل بشكل آمن والاستخدام بدون اختلالات.
- تراعى إرشادات الأمان والإرشادات التحذيرية الواردة في هذا المستند وعلى الجهاز.
- احتفظ بدليل الاستعمال دائما مع المنتج، ولا تعطي الجهاز لآخرين إلا مرفقا بهذا الدليل.

2.1 شرح العلامات

1.2.1 إرشادات تحذيرية

تنبه الإرشادات التحذيرية إلى الأخطار الناشئة عند التعامل مع الجهاز. يتم استخدام الكلمات الدلالية التالية:



خطر !

◀ تشير لخطر مباشر يؤدي لإصابات جسدية خطيرة أو إلى الوفاة.



تحذير !

◀ تشير لخطر محتمل قد يؤدي لإصابات جسدية خطيرة أو إلى الوفاة.



احترس !

◀ تشير لموقف خطر محتمل يمكن أن يؤدي لإصابات جسدية أو أضرار مادية.

2.2.1 الرموز في المستند

يتم استخدام الرموز التالية في هذا المستند:

قبل الاستخدام اقرأ دليل الاستعمال	
إرشادات الاستخدام ومعلومات أخرى مفيدة	
التعامل مع مواد قابلة لإعادة التدوير	
لا تتخلص من الأجهزة الكهربائية البطاريات ضمن القمامة المنزلية	

3.2.1 الرموز في الصور

تستخدم الرموز التالية في الرسوم التوضيحية:

2	تشير هذه الأعداد إلى الصور المعنية بمطلع هذا الدليل
3	ترقيم الصور يمثل ترتيب خطوات العمل في الصور، وقد يختلف عن ترقيم خطوات العمل في النص
11	يتم استخدام أرقام المواضع في صورة العرض العام وهي تشير إلى أرقام تعليق الصورة في فصل عرض عام للمنتج
!	ينبغي أن تسترعي هذه العلامة اهتماما خاصا عند التعامل مع المنتج.
	احرص على ارتداء قفازات واقية أثناء العمل بالجهاز.



3.1 الرموز المرتبطة بالمنتج

1.3.1 الرموز على المنتج

قد تكون الرموز التالية مستخدمة على المنتج:

V	فلط
A	أمبير
Hz	هرتز
/min	عدد اللفات في الدقيقة
RPM	عدد اللفات في الدقيقة
∅	القطر
~	تيار متردد
	فئة الحماية II (عزل مزدوج)
	يدعم المنتج عملية نقل البيانات لاسلكياً، والتي تتوافق مع أجهزة آيفون وأندرويد.

4.1 معلومات المنتج

منتجات **HILTI** مصممة للمستخدمين المحترفين ويقصر استعمالها وصيانتها وإصلاحها على الأشخاص المعتمدين والمدربين جيداً. هؤلاء الأشخاص يجب أن يكونوا قد تلقوا تدريباً خاصاً على الأخطار الطارئة. قد يتسبب الجهاز وأدواته المساعدة في حدوث أخطار إذا تم التعامل معها بشكل غير سليم فنياً من قبل أشخاص غير مدربين أو تم استخدامها بشكل غير مطابق للتعليمات. يوجد مسمى الطراز والرقم المسلسل على لوحة الصنع.

◀ انقل الرقم المسلسل في الجدول التالي. ستحتاج إلى بيانات المنتج في حالة الاستفسارات الموجهة إلى ممثلينا أو مركز الخدمة.

بيانات المنتج

المطرقة متعددة الأغراض	TE 70-ATCAVR
الجيل	04
الرقم المسلسل	

5.1 بيان المطابقة

نقر على مسؤوليتنا الفردية بأن المنتج المشروع هنا متوافق مع التشريعات والمواصفات المعمول بها. تجد صورة لبيان المطابقة في نهاية هذا المستند.

المستندات الفنية محفوظة هنا:

Hilti Entwicklungsgesellschaft mbH | Zulassung Geräte | Hiltistraße 6 | 86916 Kaufering, DE

2 السلامة

1.2 إرشادات السلامة العامة المتعلقة بالأدوات الكهربائية

⚠ تحذير احرص على قراءة جميع إرشادات السلامة، التوجيهات، الصور التوضيحية والمواصفات الفنية المرفقة مع هذه الأداة الكهربائية. أي تقصير أو إهمال في الالتزام بالتعليمات التالية قد يتسبب في حدوث صعق كهربائي، نشوب حريق و/أو وقوع إصابات خطيرة.

احتفظ بجميع مستندات إرشادات السلامة والتعليمات لاستخدامها عند الحاجة إليها فيما بعد.

يقصد بمصطلح «الأداة الكهربائية» المذكور في إرشادات السلامة الأدوات الكهربائية المشغلة بالكهرباء (باستخدام كابل الكهرباء) أو الأدوات الكهربائية المشغلة بالبطاريات (بدون كابل الكهرباء).



سلامة مكان العمل

- حافظ على نطاق عملك نظيفاً ومضاهياً بشكل جيد. الفوضى أو أماكن العمل غير المضاهة يمكن أن تؤدي لوقوع حوادث.
- لا تعمل بالأداة الكهربائية في محيط معرض لخطر الانفجار يتواجد به سوائل أو غازات أو أنواع غبار قابلة للاشتعال. الأدوات الكهربائية تولد شرراً يمكن أن يؤدي لإشعال الغبار والأبخرة.
- احرص على إبعاد الأطفال والأشخاص الآخرين أثناء استخدام الأداة الكهربائية. في حالة انصراف انتباهك قد تفقد السيطرة على الجهاز.

السلامة الكهربائية

- يجب أن يكون قابس توصيل الأداة الكهربائية متلائماً مع المقبس. لا يجوز تعديل القابس بأي حال من الأحوال. لا تستخدم قوايس مهايأة مع أدوات كهربائية ذات وصلة أرضي محمية. القوايس غير المعدلة والمقابس الملائمة تقلل من خطر حدوث صدمة كهربائية.
- تجنب حدوث تلامس للجسم مع أسطح مؤرضة مثل الأسطح الخاصة بالمواسير وأجهزة التدفئة والمواقف والثلاجات. ينشأ خطر متزايد من حدوث صدمة كهربائية عندما يكون جسمك متصلاً بالأرض.
- أبعد الأدوات الكهربائية عن الأمطار أو البلل. تسرب الماء إلى داخل الأداة الكهربائية يزيد من خطر حدوث صدمة كهربائية.
- لا تستخدم كابل التوصيل لحمل الأداة الكهربائية أو تعليقها أو لسحب القابس من المقبس. احتفظ بكابل التوصيل بعيداً عن السخونة والزيوت والموائف الحادة والأجزاء المتحركة. كابلات التوصيل التالفة أو المتشابكة تزيد من خطر حدوث صعق كهربائي.
- عندما تعمل بأداة كهربائية في مكان مكشوف، فلا تستخدم سوى كابلات الإطالة المناسبة للعمل في النطاق الخارجي. استخدام كابل إطالة مناسب للعمل في النطاق الخارجي يقلل من خطر حدوث صعق كهربائي.
- إذا تعذر تجنب تشغيل الأداة الكهربائية في محيط رطب، فاستخدم مفتاح حماية من تسرب التيار. استخدام مفتاح الحماية من تسرب التيار يقلل خطر حدوث صدمة كهربائية.

سلامة الأشخاص

- كن يقظاً وانتبه لما تفعل وتعامل مع الأداة الكهربائية بتعقل عند العمل بها. لا تستخدم الأداة الكهربائية عندما تكون متعباً أو تحت تأثير المخدرات أو الكحوليات أو العقاقير. فقد يتسبب عدم الانتباه للحظة واحدة أثناء الاستخدام في حدوث إصابات بالغة.
- ارتد تجهيزات وقاية شخصية وارتد دائماً نظارة واقية. ارتداء تجهيزات وقاية شخصية، مثل قناع الوقاية من الغبار وأحذية الأمان المضادة للانزلاق وخوذة الوقاية أو واقى السمع، تبعاً لنوع واستخدام الأداة الكهربائية، يقلل من خطر الإصابات.
- تجنب التشغيل بشكل غير مقصود. تأكد أن الأداة الكهربائية مطفأة قبل توصيلها بالكهرباء و/أو بالبطارية وقبل رفعها أو حملها. إذا كان إصبعك على المفتاح عند حمل الأداة الكهربائية أو كان الجهاز في وضع التشغيل عند التوصيل بالكهرباء، فقد يؤدي ذلك لوقوع حوادث.
- أبعد أدوات الضبط أو مفاتيح ربط البراغي قبل تشغيل الأداة الكهربائية. الأداة أو المفتاح المتواجد في جزء دوار من الجهاز يمكن أن يؤدي لحدوث إصابات.
- تجنب اتخاذ وضع غير طبيعي للجسم. احرص على أن تكون واقفاً بأمان وحافظ على توازنك في جميع الأوقات. من خلال ذلك تستطيع السيطرة على الأداة الكهربائية بشكل أفضل في المواقف المفاجئة.
- ارتد ملابس مناسبة. لا ترتد ملابس فضفاضة أو حلي. احرص على أن يكون الشعر والملابس والقفازات بعيدة عن الأجزاء المتحركة. الملابس الفضفاضة أو الحلي أو الشعر الطويل يمكن أن تشبكت في الأجزاء المتحركة.
- إذا أمكن تركيب تجهيزات شفت وتجميع الغبار، فتأكد أنها موصلة ومستخدمة بشكل سليم. استخدام تجهيزة شفت الغبار يمكن أن يقلل الأخطار الناتجة عن الغبار.
- لا تعتقد بأنك في مأمن عن الخطر ولا تتجاهل تشریحات السلامة المعنية للأدوات الكهربائية، حتى وإن كنت على دراية بالأداة الكهربائية بعد تكرار استخدامها. التعامل مع الجهاز بدون حذر قد يؤدي إلى وقوع إصابات بالغة في جزء من الثانية.

استخدام الأداة الكهربائية والتعامل معها

- لا تفرط في التحميل على الجهاز. استخدم الأداة الكهربائية المناسبة للعمل الذي تقوم به. استخدام الأداة الكهربائية المناسبة يتيح لك العمل بشكل أفضل وأكثر أماناً في نطاق العمل المقرر.
- لا تستخدم أداة كهربائية ذات مفتاح تالف. الأداة الكهربائية التي لم يعد يمكن تشغيلها أو إطفائها تمثل خطراً ويجب إصلاحها.



- ◀ اسحب القابس من المقبس و/أو اخلع البطارية القابلة للخلع من الجهاز قبل إجراء عمليات الضبط، أو استبدال أجزاء الملحقات أو عند ترك الجهاز. هذا الإجراء الوقائي يمنع بدء تشغيل الأداة الكهربائية دون قصد.
- ◀ احتفظ بالأدوات الكهربائية غير المستخدمة بعيدا عن متناول الأطفال. لا تسمح باستخدام الجهاز من قبل أشخاص ليسوا على دراية به أو لم يقرأوا هذه التعليمات. الأدوات الكهربائية خطيرة في حالة استخدامها من قبل أشخاص ليست لديهم الخبرة الواجبة.
- ◀ اعتني جيدا بالأدوات الكهربائية والملحقات. افحص الأجزاء المتحركة من حيث أداؤها لوظيفتها بدون مشاكل وعدم انحصارها وافحصها من حيث وجود أجزاء مكسورة أو متعرضة للضرر يمكن أن تؤثر سلبا على وظيفة الأداة الكهربائية. اعمل على إصلاح الأجزاء التالفة قبل استخدام الجهاز. الكثير من الحوادث مصدرها الأدوات الكهربائية التي تم صيانتها بشكل رديء.
- ◀ حافظ على أدوات القطع حادة ونظيفة. تتميز أدوات القطع ذات حواف القطع الحادة المعتنى بها بدقة بأنها أقل عرضة للتعثُر وأسفل في التعامل.
- ◀ استخدم الأداة الكهربائية والملحقات وأدوات العمل وخلافه طبقا لهذه التعليمات. احرص في هذه الأثناء على مراعاة اشتراطات العمل والمهمة المراد تنفيذها. استخدام الأدوات الكهربائية في تطبيقات غير تلك المقررة لها يمكن أن يؤدي لمواقف خطيرة.
- ◀ حافظ على المقابض ومواقع المسك في حالة جافة ونظيفة وخالية من الزيت والشحم. المقابض ومواقع المسك الانزلاقية تمول دون استعمال الأداة الكهربائية والتحكم بها بشكل آمن في المواقف غير المتوقعة.

الخدمة

- ◀ اعمل على إصلاح أداتك الكهربائية على أيدي فنيين معتمدين فقط والاقصرار على استخدام قطع الغيار الأصلية. وبذلك تتأكد أن سلامة الأداة الكهربائية تظل قائمة.

2.2 إرشادات السلامة الخاصة بالمطابق

إرشادات السلامة لجميع الأعمال

- ◀ استخدم واقيا للسمع. لذا يربى مراعاة أن الضجيج الصاخب يمكن أن يُفقد القدرة على السمع.
- ◀ استخدم المقابض الإضافية الموردة مع الجهاز. فقدان السيطرة يمكن أن يؤدي لوقوع إصابات.
- ◀ قم بسند الأداة الكهربائية جيدا قبل الاستخدام. هذه الأداة الكهربائية تولد عزم دوران مرتفع. إذا لم تقم بسند الأداة الكهربائية جيدا أثناء التشغيل، فمن الممكن أن تفقد السيطرة على الأداة وتعرض للإصابة.
- ◀ أمسك الجهاز من مواقع المسك المعزولة عند إجراء أعمال يحتمل فيها أن تتلامس أداة الشغل مع أسلاك كهربائية مفضية أو مع سلك الكهرباء للجهاز ذاته. حيث أن ملامسة سلك يسري فيه التيار الكهربائي يمكن أن ينقل الجهد الكهربائي للأجزاء المعدنية بالجهاز ويؤدي لحدوث صدمة كهربائية.

إرشادات السلامة في حالة استخدام ريشة ثقب طويلة

- ◀ ابدأ عملية الثقب دائما بعدد لفات منخفض وعندما تكون ريشة الثقب ملامسة لقطعة الشغل. عند العمل بعدد لفات أعلى يمكن أن تنتهي ريشة الثقب بسهولة، إذا دارت دون تلامس مع قطعة الشغل، وتؤدي إلى وقوع إصابات.
- ◀ اضغط على ريشة الثقب بدون إفراط وفي اتجاه طولي فقط. فقد تتعرض ريشة الثقب للانثناء والانكسار من جراء ذلك، أو من الممكن أن تفقد السيطرة عليها وتتسبب في وقوع إصابات.

3.2 إرشادات السلامة الإضافية للمثقاب المطرقي

سلامة الأشخاص

- ◀ اقتصر على استخدام المنتج وهو في حالة سليمة من الناحية الفنية.
- ◀ لا تقم أبدا بأية تدخلات أو تغييرات على الجهاز.
- ◀ استخدم المقابض الإضافية الموردة مع الجهاز. فقدان السيطرة يمكن أن يؤدي لوقوع إصابات.
- ◀ أثناء أعمال الثقب قم بتأمين النطاق الواقع على الجهة المقابلة للعمل. الشظايا المتناثرة يمكن أن تتطاير و/أو تسقط وتصيب الآخرين.
- ◀ أمسك الجهاز دائما بيدك من المقابض المعنية. حافظ على جفاف ونظافة المقابض.
- ◀ أمسك الجهاز من مواقع المسك المعزولة عند إجراء أعمال يحتمل فيها أن تتلامس أداة الشغل مع أسلاك كهربائية مخفية. حيث أن ملامسة سلك يسري فيه التيار الكهربائي يمكن أن ينقل الجهد الكهربائي للأجزاء المعدنية بالجهاز ويؤدي لحدوث صدمة كهربائية.
- ◀ تجنب ملامسة الأجزاء الدوارة - خطر الإصابة!



- ◀ احرص أثناء استخدام الجهاز على استعمال نظارة واقية ملائمة وخوذة حماية وواقي للسمع وقفاز واقية وكمامة خفيفة للتنفس.
- ◀ ارتد قفازا واقيا أثناء تغيير الأدوات. ملامسة أداة الشغل قد تؤدي لوقوع إصابات بجروح قطعية وإصابة بحروق.
- ◀ استخدم واقيا للعينين. الشظايا المتطايرة يمكن أن تصيب الجسم والعيون.
- ◀ احرص قبل بدء العمل على معرفة فئة خطر الغبار الناشئ عند إجراء العمل. استخدم شفاط غبار أعمال الإنشاءات ذي فئة حماية مصرح بها رسميا ومطابق للتعليمات المحلية الخاصة بالحماية من الغبار. الغبار الناتج عن خامات مثل الطلاء الممتوي على الرصاص وبعض أنواع الأخشاب والفرسانة/الجران والصخور المحتوية على الكوارتز والمعادن الصخرية والمعادن هو غبار ضار بالصحة.
- ◀ احرص على وجود تهوية جيدة لمكان العمل وارتد عند اللزوم قناع تنفس مخصص لنوعية الغبار المنبعث. ملامسته أو استنشاقه قد يسبب أعراض حساسية و/أو أمراض الجهاز التنفسي للمستخدم أو للأشخاص المتواجدين على مقربة منه. هناك أنواع معينة مسرطنة من الغبار مثل غبار خشب البلوط أو غبار خشب الزان، ولا سيما إذا ارتبطت هذه الأنواع بمواد إضافية لمعالجة الأخشاب (مثل الكروم ومواد حماية الأخشاب). لا يجوز التعامل مع المواد المحتوية على الأسبستوس إلا من قبل فنيين متخصصين.
- ◀ خذ قسطا من الراحة أثناء العمل وقم بتمارين استرخاء لسريان الدم في الأصابع بشكل أفضل. عند القيام بأعمال لفترات طويلة فقد يحدث اضطرابات في الأوعية الدموية أو الجهاز العصبي بسبب كثرة الاهتزازات على الأصابع، الأيدي أو معصم اليد.

السلامة الكهربائية

- ◀ قبل بدء الأعمال افحص نطاق العمل من حيث وجود توصيلات كهرباء مغطاة أو مواسير للغاز والماء. الأجزاء المعدنية الخارجية بالجهاز يمكن أن تتسبب في صدمة كهربائية، إذا قمت دون قصد بإتلاف إحدى توصيلات التيار.

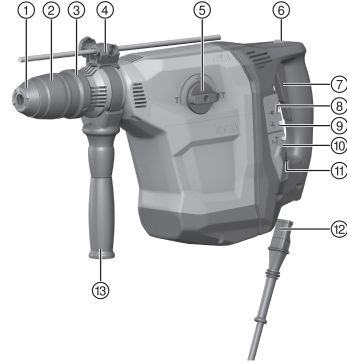
الاستخدام والتعامل بعناية مع الأدوات الكهربائية

- ◀ قم بإيقاف الأداة الكهربائية على الفور، بمجرد تعرض الأداة للإعاقة. يمكن أن ينصرف الجهاز جانبا.
- ◀ قبل التخزين انتظر إلى أن تتوقف الأداة الكهربائية تماما.



1.3 نظرة عامة على المنتج 1

- ① غطاء الحماية من الغبار
- ② ظرف تركيب الأدوات
- ③ وسيلة تحرير الأداة
- ④ محدد العمق (ملحق)
- ⑤ مفتاح اختيار الوظيفة
- ⑥ تثبيت الإزميل
- ⑦ مفتاح التحكم
- ⑧ الإشارة الوظيفية
- ⑨ مبین الخدمة
- ⑩ مبین نصف القدرة
- ⑪ مفتاح لوضع نصف القدرة
- ⑫ كابل الكهرباء مع وصلة مقبسية مشفرة
- ⑬ وقابطة للخلع
- ⑭ المقبض الجانبي



2.3 الاستخدام المطابق للتعليمات

المنتج المشروع عبارة عن مطرقة متعددة الأغراض مشغلة بالكهرباء ومزودة بطارق نيوماتيكي. وهو مخصص لأعمال الثقب في الخرسانة والجدران، الأخشاب والمعادن. علاوة على ذلك يمكن استخدام المنتج في الأعمال الخفيفة والمتوسطة التي يتم فيها استخدام الإزميل للنقر في الجدران والأعمال اللاحقة التي تتم على الخرسانة. يجب ألا يتم التشغيل إلا بالتردد والجهد الكهربائي المذكورين على لوحة الصنع.

3.3 خابور تثبيت مشقوق من الخلف

المنتج مصمم لتركيب خوابير القطوع السفلية. اقتصرت على استخدام أدوات التركيب المناسبة! يمكنك الحصول على معلومات تفصيلية لدى مركز Hilti الذي تتعامل معه.

4.3 الاستخدام الخاطئ المحتمل

- هذا المنتج غير مخصص للعمل مع الغامات الضارة بالصحة.
- هذا المنتج غير مناسب للعمل في البيئات الرطبة.

5.3 Active Vibration Reduction

المنتج مجهو بنظام Active Vibration Reduction (AVR) والذي يقوم بخفض الاهتزازات بشكل ملحوظ.

6.3 ATC

المنتج مزود بخاصية الإيقاف الإلكتروني السريع (ATC (Active Torque Control). في حالة إعاقة أداة الشغل أو انحصارها، فإن المنتج يدور بشكل مفاجئ على نحو غير محكوم في الاتجاه المعاكس. وتتعرف وظيفة ATC على هذه الحركة المفاجئة للدوران بالمنتج وتقوم بإيقاف المنتج على الفور.



يجب ألا يكون هناك عائق أمام دوران المنتج حتى يعمل بشكل سليم.
بعد الإيقاف السريع، قم بإيقاف المنتج ثم أعد تشغيله.



7.3 مابين الخدمة

المنتج مزود بمابين خدمة به إشارة ضوئية.

1.7.3 حالة مابين الخدمة

الحالة	الاستعمال
مابين الخدمة يضيء.	هذا يعني أنه حان موعد إجراء الخدمة.
مابين الخدمة يومض.	اعمل على إصلاح المطرقة متعددة الأغراض لدى مركز خدمة Hilti.

8.3 مجموعة التجهيزات الموردة

المطرقة متعددة الأغراض، المقبض الجانبي، دليل الاستعمال.

تجد المزيد من منتجات النظام المسموع بها للمنتج الخاص بك لدى متجر **Hilti Store** أو على موقع الإنترنت: www.hilti.group

4 المواصفات الفنية

1.4 المطرقة متعددة الأغراض

يرجى التعرف على الجهد الاسمي والتيار الاسمي والتردد والاستهلاك الاسمي من لوحة صنع الجهاز الخاصة بالبلد المعني.

في حالة التشغيل من مولد أو محمول، فإنه يجب ألا تقل قدرة الفرج الخاصة به عن ضعف قدرة الدخل الاسمية الواردة على لوحة صنع الجهاز. جهد تشغيل المحول أو المولد يجب أن يكون دائما في نطاق 5% و -15% من الجهد الكهربائي الاسمي للجهاز.

الوزن طبقا لبروتوكول EPTA 01	10 كجم
------------------------------	--------

2.4 معلومات الضجيج وقيم الاهتزاز طبقا للمواصفة EN 60745

تم قياس قيم ضغط الصوت والاهتزاز الواردة في هذا الدليل طبقا لعملية قياس معايرة ويمكن الاستعانة بها في مقارنة الأدوات الكهربائية مع بعضها البعض. وهي تصلح أيضا لتقدير المخاطر بصورة مؤقتة. المواصفات الواردة تتعلق بالاستخدامات الأساسية للأداة الكهربائية. أما إذا تم استخدام الأداة الكهربائية في تطبيقات أخرى مع أدوات شغل مخالفة للمواصفات أو دون صيانة كافية، ففي هذه الحالة قد تختلف البيانات. وقد يزيد هذا من المخاطر خلال مدة العمل بالكامل بصورة واضحة. ولتقدير المخاطر تقديرا دقيقا ينبغي أيضا مراعاة الأوقات التي يتم فيها إيقاف الجهاز أو التي يكون فيها الجهاز مشغلا ولكن دون استخدام حقيقي. وقد يقلل هذا من المخاطر خلال مدة العمل بالكامل بصورة واضحة. احرص على مراعاة تدابير السلامة الإضافية لحماية المستخدم من تأثير الصوت و/أو الاهتزازات مثل: صيانة الأداة الكهربائية وأدوات العمل والحفاظ على الأيدي في حالة دافئة وتنظيم مراحل العمل.

قيم الضجيج المنبعث

مستوى شدة الصوت (L_{WA})	111 ديسيبل (A)
نسبة التفاوت لمستوى شدة الصوت (K_{WA})	3 ديسيبل (A)
مستوى ضغط الصوت المنبعث (L_{pA})	100 ديسيبل (A)
نسبة التفاوت لمستوى ضغط الصوت (K_{pA})	3 ديسيبل (A)

قيم الاهتزاز الإجمالية

قيم الاهتزازات المنبعثة من المثقاب المطرقي في الخرسانة ($a_{h,HD}$)	8.3 م/ثانية ²
قيم الاهتزازات المنبعثة من النقر بالإزميل ($a_{h,Cheq}$)	8 م/ثانية ²
نسبة التفاوت (K)	1.5 م/ثانية ²



1.5 التحضير للعمل

⚠ احترس:

خطر الإصابة! تشغيل الجهاز بشكل غير مقصود.

← اسحب القابس الكهربائي، قبل إجراء عمليات ضبط الجهاز أو تغيير أجزاء الملحقات.

تراجع إرشادات الأمان والإرشادات التحذيرية الواردة في هذا المستند وعلى الجهاز.

1.1.5 توصيل كابل الكهرباء القابل للإدخال

⚠ احترس:

خطر الإصابة! من جراء التيار الكهربائي المتسرب في حالة وجود أطراف توصيل متسفة.

← لا تقم بتوصيل الوصلة المقبسية الكهربائية القابلة لل فك بالجهاز الكهربائي إلا وهي في حالة نظيفة وجافة ولا يسري بها جهد كهربائي.

1. أدخل الوصلة المقبسية الكهربائية المكودة القابلة لل فك في الجهاز حتى النهاية، إلى أن يثبت القفل بصوت مسموع.
2. أدخل القابس الكهربائي في المقبس.

2.1.5 افصل قابس الكهرباء القابل للإدخال عن الجهاز الكهربائي

1. اسحب القابس الكهربائي من المقبس.
2. اضغط على زر التثبيت واخلع الوصلة المقبسية الكهربائية المكودة القابلة لل فك.
3. اسحب الكابل الكهربائي من الجهاز.

3.1.5 تركيب المقبض الجانبي 2

⚠ احترس:

خطر الإصابة! فقدان السيطرة على الدقاق متعدد الأغراض.

← تأكد أن المقبض الجانبي مركب ومثبت بشكل سليم. تأكد من تواجد شريط الشد في الحز المخصص له بالجهاز.

1. أدر المقبض لفك وسيلة تثبيت (شريط الشد) المقبض الجانبي.
2. أدخل وسيلة التثبيت (شريط الشد) من الأمام عبر ظرف تركيب الأدوات وصولاً إلى الحز المخصص لذلك.
3. اضبط المقبض الجانبي في الوضع المرغوب.
4. أدر المقبض لشد وسيلة تثبيت (شريط الشد) المقبض الجانبي.

4.1.5 تركيب محدد العمق (اختياري) 3

1. أدر المقبض لفك وسيلة تثبيت (شريط الشد) المقبض الجانبي.
2. أدخل محدد العمق من الأمام في الثقيبين الدليليين المخصصين لذلك.
3. أدر المقبض لشد وسيلة تثبيت (شريط الشد) المقبض الجانبي.

5.1.5 مثبت مفتاح التحكم

يمكن في وضع تشغيل الإزميل تثبيت حركة مفتاح التحكم أثناء التشغيل.



← اضغط على مثبت مفتاح التحكم.

6.1.5 تركيب الأداة 4

قد يؤدي استخدام شحم غير مناسب إلى تعرض المنتج للضرر. اقتصر على استخدام الشحم الأصلي من Hilti.



1. قم بتزليق طرف إدخال أداة الشغل قليلاً.
 - ◀ اقتصر على استخدام الشمع الأصلي من Hilti. استخدام شمع خاطئ قد يتسبب في إلحاق أضرار بالمنتج.
2. أدخل أداة الشغل في ظرف تركيب الأدوات حتى النهاية واطركها تثبت في موضعها.
3. بعد التركيب اختبر مدى إحكام القفل من خلال شد الأداة.
 - ◀ المنتج جاهز للتشغيل.

7.1.5 إخراج الأداة

- ◀ قم بإرجاع وسيلة تأمين الأداة حتى النهاية وأخرج أداة الشغل.

اقتصر على استخدام الشمع الأصلي من Hilti. قد يؤدي استخدام شمع غير مناسب إلى تعرض المنتج للضرر.

8.1.5 ضبط القدرة

لا يمكن ضبط القدرة إلا أثناء تشغيل الجهاز. لضبط الجهاز على نصف القدرة، اضغط على زر "نصف القدرة". يتم الإشارة إلى تقليل القدرة من خلال إضاءة مابين القدرة. من خلال الضغط مجدداً على زر «نصف القدرة» يتم ضبط الجهاز مرة أخرى على القدرة الكاملة، وينطفئ مابين القدرة. في حالة إيقاف المنتج ثم تشغيله مجدداً تتاح كذلك القدرة الكاملة مرة أخرى.

- ◀ اضبط القدرة.

2.5 العمل

تحذير

خطر الصعق الكهربائي! عدم وجود وصلات التأريض ومفاتيح الحماية من تسرب التيار يمكن أن يؤدي إلى وقوع إصابات وحروق بالغة.

- ◀ تأكد دائماً أن وصلات التأريض ومفاتيح الحماية من تسرب التيار موجودة وموصلة بوصلة الإمداد بالتيار الكهربائي بموقع العمل، سواء كانت من شبكة الكهرباء أو من مولد كهربائي.
- ◀ لا تقم بتشغيل الجهاز دون مراعاة تدابير السلامة هذه.

تحذير

خطر بسبب الكابلات التالفة! في حالة تلف كابل الكهرباء أو كابل الإطالة أثناء العمل، قم على الفور بفصل الجهاز والكابل عن التيار الكهربائي. لا تلمس الموضع التالف!

- ◀ احرص بشكل منتظم على فحص جميع أسلاك التوصيل. قم باستبدال كابل الإطالة التالف.

يتعين الحصول على تصريح من إدارة المنشأة بإجراء الأعمال كاملة.

1.2.5 الثقب بدون طرق

يمكن إجراء الثقب بدون طرق باستخدام عدد مزودة بطرف إدخال خاص. تتاح العدد التالية ضمن برنامج العدد من Hilti. يمكن باستخدام الظرف سريع الربط تثبيت ريشة ثقب الخشب أو ريشة ثقب الفولاذ على سبيل المثال في ساق أسطوانية مع القيام بالثقب بدون طرق.

- ◀ اضبط مفتاح اختيار الوظيفة على هذا الوضع T:

2.2.5 الثقب بالطرق (الثقب المطرق)

- ◀ اضبط مفتاح اختيار الوظيفة على هذا الوضع T:



⚠ تحذير: احترس:

- خطر الإصابة!** فقدان السيطرة على اتجاه الإزميل.
- لا تعمل في وضع «تحديد موضع الإزميل». اضبط مفتاح اختيار الوظيفة على وضع «النقر بالإزميل»، إلى أن يستقر في موضعه.

i يمكن ضبط الإزميل على 24 وضع مختلف (في خطوات مقدار كل منها 15°). وبذلك يمكن دائما العمل بالإزميل المفلطح وإزميل التشكيل في وضع العمل المثالي المناسب.

- اضبط مفتاح اختيار الوظيفة على هذا الوضع **T**.

4.2.5 النقر بالإزميل 8

- اضبط مفتاح اختيار الوظيفة على هذا الوضع **T**.

6 العناية والصيانة
⚠ تحذير

- خطر بسبب حدوث صدمة كهربائية** إجراء أعمال العناية والصيانة بينما القابس الكهربائي مركب قد يتسبب في إصابات بالغة والإصابة بحروق.
- احرص على سحب القابس الكهربائي قبل جميع أعمال الإصلاح والعناية!

العناية

- قم بإزالة الاتساخ الملتصق بحرص.
- قم بتنظيف فتحات التهوية بحرص باستخدام فرشاة جافة.
- نظف جسم الجهاز باستخدام قطعة قماش مبللة بعض الشيء. لا تستخدم مواد عناية تحتوي على السيليكون لما قد تتسبب فيه من الإضرار بالأجزاء البلاستيكية.

الصيانة
⚠ تحذير

- خطر الصعق الكهربائي!** قد تؤدي أعمال الصيانة التي تتم على الأجزاء الكهربائية بشكل غير سليم إلى حدوث إصابات خطيرة وإصابة بحروق.
- لا يجوز إجراء إصلاحات على الأجزاء الكهربائية إلا من خلال متخصصين في الكهرباء.

- افحص جميع الأجزاء المرئية من حيث وجود أضرار وافحص عناصر الاستعمال من حيث كفاءتها الوظيفية.
- في حالة وجود أضرار و/أو اختلالات وظيفية لا تقم بتشغيل المنتج. احرص على الفور على إصلاحه لدى مركز خدمة **Hilti**.
- بعد أعمال العناية والإصلاح قم بتركيب جميع تجهيزات الحماية وافحصها من حيث الأداء الوظيفي.

i للتشغيل الآمن اقتصِر على استخدام قطع الغيار الأصلية و خامات الشغل. تجد قطع الغيار وخامات الشغل والملحقات المصرح بها من قبلنا للمنتج الخاص بك في متجر **Hilti Store** أو على موقع الإنترنت: www.hilti.group.

1.6 تنظيف غطاء الحماية من الغبار

- قم بتنظيف غطاء الحماية من الغبار الموجود على طرف تركيب الأدوات بصفة دورية باستخدام فوطة نظيفة جافة.
- قم بتنظيف شفة الإحكام عن طريق مسحها بحرص و قم بتشحيما مرة أخرى بقليل من شحم **Hilti**.
- يلزم تغيير غطاء الحماية من الغبار في حالة تلف شفة الإحكام.

7 النقل والتخزين

- لا تنقل الجهاز الكهربائي بينما الأداة مدخلة فيه.
- عند تخزين الجهاز الكهربائي احرص دائما على سحب القابس الكهربائي.
- احرص على جفاف الجهاز والاحتفاظ به بعيدا عن متناول الأطفال والأشخاص غير المصرح لهم عند تخزينه.



8 المساعدة في حالات الاختلالات

عند حدوث اختلالات غير مذكورة في الجدول أو يتعذر عليك معالجتها بنفسك، فيرجى التوجه إلى مركز خدمة Hilti.

1.8 تقصي الأخطاء

الخلل	السبب المحتمل	الحل
المنتج لا يبدأ في العمل.	انقطاع الإمداد بالتيار الكهربائي.	◀ قم بتوصيل جهاز كهربائي آخر وافحص التشغيل.
	المولد الكهربائي في خاصية السبات.	◀ قم بتشغيل جهاز كهربائي آخر (مثل مصباح إضاءة موقع البناء) من المولد الكهربائي. قم بإيقاف المنتج وإعادة تشغيله مجدداً.
	تم تفعيل مانع بدء التشغيل الإلكتروني بعد فترة انقطاع التيار الكهربائي.	◀ قم بإيقاف المنتج ثم أعد تشغيله.
	لم يتم إدخال الكابل الكهربائي القابل للإدخال في الجهاز بشكل صحيح.	◀ قم بتوصيل كابل الكهرباء القابل للإدخال بالجهاز الكهربائي بشكل صحيح.
	الكربون متآكل.	◀ افحصه على يد متخصص في الكهرباء وقم بتغييره إذا لزم الأمر.
لا يتولد طرق.	المنتج بارد للغاية.	◀ قم بوضع المنتج على الأرض واتركه يدور على الوضع المعاكس. عند اللزوم كرر هذه العملية حتى يعمل الطارق.
المنتج لا يعمل بالقدرة الكاملة.	كابل الإطالة طويل للغاية و/أو ذو مقطع عرضي ضئيل للغاية.	◀ استخدم كابل إطالة ذا طول مسموح به و/أو ذا مقطع عرضي كاف.
	مفتاح التحكم ليس مضغوطاً تماماً.	◀ اضغط مفتاح التحكم تماماً حتى النهاية.
	الجهد الكهربائي بمصدر الإمداد بالجهد الكهربائي منخفض للغاية.	◀ قم بتوصيل المنتج بمصدر آخر للإمداد بالتيار الكهربائي.
	زر نصف القدرة مضغوط.	◀ اضغط على زر «نصف القدرة».
ريشة الثقب لا تدور.	مفتاح اختيار الوظيفة غير ثابت أو في وضع "النقر بالإزميل" T أو "تحديد موضع الإزميل" -.	◀ أثناء التوقف اجعل مفتاح اختيار الوظيفة على وضع "الثقب المطرفي" T.
ريشة الثقب لا تتحرر من وضع إحكام القفل.	لم تقم بإرجاع طرف تركيب الأدوات حتى النهاية تماماً.	◀ قم بإرجاع وسيلة إحكام قفل الأداة حتى النهاية وأخرج الأداة.
	المقبض الجانبي مركب بشكل غير صحيح.	◀ قم بفك المقبض الجانبي وتركيبه بشكل صحيح بحيث يكون شريط الشد والمقبض الجانبي مثبتين في التجويف.
المنتج يتوقف في حالة انحصار ريشة الثقب.	تم تفعيل تجهيزة الحماية الإلكترونية لتجنب حدوث مزيد من الانحصار.	◀ قم بحل ريشة الثقب.
مبين الخدمة بومض.	أضرار بالمنتج.	◀ قم بإصلاح المنتج لدى مركز خدمة Hilti.
مبين الخدمة يضيء.	الكربون متآكل.	◀ افحصه على يد متخصص في الكهرباء وقم بتغييره إذا لزم الأمر.



أجهزة Hilti مصنوعة بنسبة كبيرة من مواد قابلة لإعادة التدوير. يشترط لإعادة التدوير أن يتم فصل الغامات بشكل سليم فنياً. في العديد من الدول تقوم شركة Hilti باستغلال الأجهزة القديمة لإعادة تدويرها. وللمعلومات حول ذلك اتصل بخدمة عملاء Hilti أو الموزع القريب منك.

لا تعلق الأدوات الكهربائية، الأجهزة الإلكترونية والبطاريات ضمن القمامة المنزلية!



10 مواصفة RoHS (مواصفة تقييد استخدام المواد الخطيرة)

تجد جدولاً بالمواد الخطرة تمت الرابط التالي: qr.hilti.com/r6851673.
تجد رابط خاص بجدول المواد التي تخص المواصفة RoHS في نهاية هذا المستند على هيئة كود QR.

11 ضمان الجبة الصانعة

في حالة وجود أية استفسارات بخصوص شروط الضمان، يرجى التوجه إلى وكيل Hilti المحلي الذي تتعامل معه.



オリジナル取扱説明書

1 文書について

1.1 本書について

- ご使用前に本書をすべてお読みください。このことは、安全な作業と問題のない取扱いのための前提条件となります。
- 本書および製品に記載されている安全上の注意と警告表示に注意してください。
- 取扱説明書は常に製品とともに保管し、他の人が使用する場合には、製品と取扱説明書を一緒にお渡しください。

1.2 記号の説明

1.2.1 警告表示

警告表示は製品の取扱いにおける危険について警告するものです。以下の注意喚起語が使用されています：

危険

危険！

- ▶ この表記は、重傷あるいは死亡事故につながる危険性がある場合に注意を促すために使われます。

警告

警告！

- ▶ この表記は、重傷あるいは死亡事故につながる可能性がある場合に注意を促すために使われます。

注意

注意！

- ▶ この表記は、身体の負傷あるいは物財の損傷が発生する可能性がある場合に使われます。

1.2.2 本書の記号

本書では、以下の記号が使用されています：

	使用前に取扱説明書をお読みください
	本製品を効率良く取り扱うための注意事項や役に立つ情報
	リサイクル可能な部品の取扱い
	工具およびバッテリーを一般ゴミとして廃棄してはなりません

1.2.3 図中の記号

図中では以下の記号が使用されています：

	この数字は本取扱説明書冒頭にある該当図を示しています
	付番は図中の作業手順の順序に対応していて、本文の作業手順とは一致しない場合があります
	概要図には項目番号が付されていて、製品概要セクションの凡例の番号に対応しています
	この記号は、製品の取扱いの際に特に注意が必要なことを示しています。
	本体での作業中には、保護手袋を着用してください。

1.3 製品により異なる記号

1.3.1 製品に表示されている記号

製品には以下の記号が使用されている場合があります：



V	電圧
A	電流
Hz	周波数
/min	毎分回転数
RPM	毎分回転数
∅	直径
~	交流
	電気絶縁保護クラス II (二重絶縁)
	本製品は、iOS および Android プラットフォームと互換性のある無線データ転送をサポートしています。

1.4 製品情報

製品はプロ仕様で製作されており、その使用、保守、修理を行うのは、認定を受けトレーニングされた人のみに限ります。これらの人は、遭遇し得る危険に関する情報を入手していなければなりません。製品およびアクセサリの使用法を知らない者による誤使用、あるいは規定外の使用は危険です。機種名および製造番号は銘板に表示されています。

- ▶ 製造番号を以下の表に書き写しておいてください。ヒルティ代理店やサービスセンターへお問い合わせの際には、製品データが必要になります。

製品データ

コンビハンマードリル	TE 70-ATC/AVR
製品世代	04
製造番号	

1.5 適合宣言

当社は、単独の責任において本書で説明している製品が有効な基準と標準規格に適合していることを宣言します。適合宣言書の複写は本書の末尾にあります。

技術資料は本書の後続の頁に記載されています：

Hilti Entwicklungsgesellschaft mbH | Zulassung Geräte | Hiltistraße 6 | 86916 Kaufering, DE

2 安全

2.1 電動工具の一般安全注意事項

⚠ 警告事項 本電動工具に付属のすべての安全上の注意、指示事項、図、および製品仕様をお読みください。以下の指示を守らないと、感電、火災および / または重傷事故の危険があります。

安全上の注意および指示事項が書かれた説明書はすべて大切に保管してください。

安全上の注意で使用する用語「電動工具」とは、お手持ちの電動ツール（電源コード使用）またはバッテリーツール（コードレス）を指します。

作業環境に関する安全

- ▶ 作業場はきれいに保ち、十分に明るくしてください。ちらかった暗い場所での作業は事故の原因となります。
- ▶ 爆発の危険性のある環境（可燃性液体、ガスおよび粉じんのある場所）では電動工具を使用しないでください。電動工具から火花が飛散し、粉じんや揮発性ガスに引火する恐れがあります。
- ▶ 電動工具の使用時、子供や無関係者を作業場へ近づけないでください。作業中に気がそらされると、本体のコントロールを失ってしまう恐れがあります。



電気に関する安全注意事項

- ▶ 電動工具の接続プラグは電源コンセントにきちんと適合しなければなりません。プラグは絶対に変更しないでください。保護接地した電動工具と一緒にアダプタープラグを使用しないでください。オリジナルのプラグと適切なコンセントを使用することにより、感電の危険を小さくすることができます。
- ▶ パイプ、ラジエーター、電子レンジ、冷蔵庫などのアースされた面に体の一部が触れないようにしてください。体が触れると感電の危険が大きくなります。
- ▶ 電動工具を雨や湿気から保護してください。電動工具に水が浸入すると、感電の危険が大きくなります。
- ▶ 電動工具を持ち運んだり、吊り下げたり、コンセントからプラグを抜いたりするときは、必ず本体を持ち、電源コードを持ったり引ったり張ったりしないでください。電源コードを火気、オイル、鋭利な刃物、可動部等に触れる場所に置かないでください。電源コードが損傷したり絡まったりしていると、感電の危険が大きくなります。
- ▶ 屋外工事の場合には、必ず屋外専用の延長コードを使用してください。屋外専用の延長コードを使用すると、感電の危険が小さくなります。
- ▶ 湿った場所で電動工具を起動させる必要がある場合は、漏電遮断器を使用してください。漏電遮断器を使用すると、感電の危険が小さくなります。

作業者に関する安全

- ▶ 電動工具を使用の際には、油断せずに十分注意し、常識をもった作業をおこなってください。疲れている場合、薬物、医薬品服用およびアルコール飲用による影響下にある場合には電動工具を使用しないでください。電動工具使用中の一瞬の不注意が重傷の原因となることがあります。
- ▶ 個人用保護具および保護メガネを常に着用してください。負傷の危険を低減するために、電動工具の使用状況に応じた粉じんマスク、耐滑性の安全靴、ヘルメット、耳栓などの個人用保護具を着用してください。
- ▶ 電動工具の意図しない始動を防止して下さい。電動工具を電源および / またはバッテリーに接続する前や本体を持ち上げたり運んだりする前に、本体がオフになっていることを必ず確認してください。オン / オフスイッチが入っている状態で電動工具のスイッチに指を掛けたまま運んだり、電源に接続したりすると、事故の原因となる恐れがあります。
- ▶ 電動工具のスイッチを入れる前に、必ず調節キーやレンチを取り外してください。調節キーやレンチが本体の回転部に装着されたままでは、けがの原因となる恐れがあります。
- ▶ 作業中是不安定な姿勢をとらないでください。足元を安定させ、常にバランスを保つようにしてください。これにより、万一電動工具が異常状況に陥った場合にも、適切な対応が可能となります。
- ▶ 作業に適した作業着を着用してください。だぶだぶの衣服や装身具を着用しないでください。髪、衣服、手袋を本体の可動部に近づけないでください。だぶだぶの衣服、装身具、長い髪が可動部に巻き込まれる恐れがあります。
- ▶ 吸じんシステムの接続が可能な場合には、これらのシステムが適切に接続、使用されていることを確認してください。吸じんシステムを利用することにより、粉じん公害を防げます。
- ▶ 電動工具の取扱いに熟練している場合にも、正しい安全対策を遵守し、電動工具に関する安全規則を無視しないでください。不注意な取扱いは、ほんの一瞬で重傷事故を招くことがあります。

電動工具の使用および取扱い

- ▶ 無理のある使用を避けてください。作業用途に適した電動工具を使用してください。適切な電動工具の使用により、効率よく、スムーズかつ安全な作業が行えます。
- ▶ スイッチが故障している場合には、電動工具を使用しないでください。スイッチで始動および停止操作のできない電動工具は危険ですので、修理が必要です。
- ▶ 本体の設定やアクセサリーの交換を行う前や本体を保管する前には電源プラグをコンセントから抜き、および / または脱着式のバッテリーを取り外してください。この安全処置により、電動工具の意図しない始動を防止することができます。
- ▶ 電動工具をご使用にならない場合には、子供の手の届かない場所に保管してください。電動工具に関する知識のない方、本説明書をお読みでない方による本体のご使用は避けてください。未経験者による電動工具の使用は危険です。
- ▶ 電動工具とアクセサリーは慎重に手入れしてください。可動部分が引っ掛かりなく正常に作動しているか、電動工具の運転に影響を及ぼす各部分が破損・損傷していないかを確認してください。電動工具をご使用になる前に、損傷部分の修理を依頼してください。事故の多くは保守管理の不十分な電動工具の使用が原因となっています。
- ▶ 先端工具は鋭利で汚れのない状態を保ってください。お手入れのゆきとどいた先端工具を使用すると、作業が簡単かつ、スムーズになります。
- ▶ 電動工具、アクセサリー、先端工具などは、それらの説明書に記載されている指示に従って使用してください。その際は、作業環境および用途についてもご注意ください。指定された用途以外に電動工具を使用すると危険な状況をまねく恐れがあります。
- ▶ グリップとグリップ面は乾燥した清潔な状態に保ち、オイルやグリスの付着がないようにしてください。グリップやグリップ面が滑りやすい状態になっていると、予期していない状況が発生した際に電動工具を安全に使用 / 制御できません。



サービス

- ▶ 電動工具の修理は必ず認定サービスセンターにお申し付けください。また、必ず純正部品を使用してください。これにより電動工具の安全性が確実に維持されます。

2.2 ハンマーに関する安全上の注意

すべての作業に関する安全上の注意

- ▶ 耳栓を着用してください。騒音により、聴覚に悪影響が出る恐れがあります。
- ▶ 本体と一緒に納品された補助ハンドルを使用してください。コントロールを失うとけがをする恐れがあります。
- ▶ ご使用になる前に電動工具を確実に支持してください。この電動工具は高いトルクを発生します。運転中に電動工具が確実に支持されていないと、コントロールを失って負傷する危険があります。
- ▶ 隠れた電線や装置自体の電源コードに先端工具が接触する可能性のある作業を行う場合は、必ず本体を絶縁されたグリップ面で保持するようにしてください。通電しているケーブルと接触すると、本体の金属部分にも電圧がかかり、感電の危険があります。

長いドリルビットを使用する際の安全上の注意

- ▶ 穿孔作業は、常にドリルビットが作業材料と接触している状態で低い回転数から始めるようにしてください。回転数が高くてドリルビットが作業材料と接触せず自由に回転できる状態にあると、ドリルビットは簡単に曲がってしまうことがあります、これが負傷の原因となることがあります。
- ▶ 過度な力を加えず、常にドリルビットの縦方向にのみ力が作用するようにしてください。ドリルビットは曲がって折れてしまうこと、あるいはコントロールを失って負傷の原因となることがあります。

2.3 ローターハンマードリルに関するその他の安全上の注意

作業者に関する安全

- ▶ 本製品は、必ず技術的に問題のない状態で使用してください。
- ▶ 本体は決して加工や改造を加えないでください。
- ▶ 本体には一緒に納品された補助ハンドルを使用してください。これ以外のハンドルを使用すると、コントロールを失ってけがをする恐れがあります。
- ▶ 剥がし作業の場合には、作業側と反対の領域を保護してください。剥がれた部分が脱落、落下して他人を負傷させる危険があります。
- ▶ 本体は、常に両手でグリップを掴んでしっかりと保持してください。グリップは乾燥した清潔な状態を保ってください。
- ▶ 先端工具が隠れた電線に接触する可能性のある作業を行う場合は、必ず本体の絶縁されたグリップを持ってください。通電しているケーブルと接触すると、本体の金属部分にも電圧がかかり、感電の危険があります。
- ▶ 回転部品に触れないでください - 負傷の危険！
- ▶ 本体の使用中は、適切な保護メガネ、保護ヘルメット、耳栓、保護手袋および防じんマスクを着用してください。
- ▶ 保護手袋は先端工具の交換時にも着用してください。先端工具に触れると、切創事故や火傷の原因となることがあります。
- ▶ アイシールドを着用してください。破片が身体の一部、眼などを傷つけることもあります。
- ▶ 作業開始前に、作業場で発生する粉じんの危険有害度を調査してください。公的に承認された保護等級および地域の粉じんに関する規定を満たした工業用集じん機を使用してください。含鉛塗料、特定の種類の木材、コンクリート / 石材、石英を含む岩石、鉱物および金属などの母材から生じた粉じんは、健康を害する恐れがあります。
- ▶ 作業場の良好な換気に注意し、必要に応じてそれぞれの粉じんに適した防じんマスクを着用してください。作業者や近くにいる人が粉じんに触れたり吸い込んだりすると、アレルギー反応や呼吸器疾患を起こす可能性があります。カシヤブナ材などの特定の粉じんは、特に木材処理用の添加剤（クロム塩酸、木材保護剤）が使用されている場合、発ガン性があるとされています。アスベストが含まれる母材は、必ず専門家が取り扱うようにしてください。
- ▶ 休憩を取って、指を動かして血行を良くするように心がけてください。長時間作業の際には、振動により指、手あるいは手首の関節の血管あるいは神経系に障害が発生する可能性があります。

電気に関する安全注意事項

- ▶ 作業を開始する前に、作業領域に埋設された電線、ガス管や水道管がないかを調査してください。誤って電線を損傷すると、本体外側の金属部分により感電事故が発生する可能性があります。

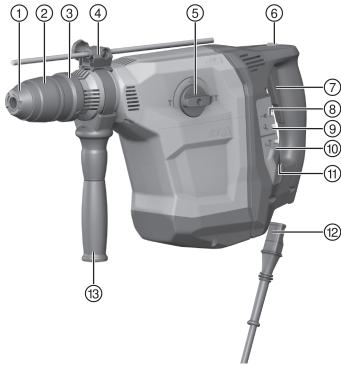
電動工具の慎重な取扱いおよび使用

- ▶ 先端工具がブロックしたら直ちに電動工具をオフにします。本体は側方へとずらすことができます。
- ▶ 電動工具は停止するまで置かないでください。



3 製品の説明

3.1 製品概要 1



- ① 防じんカバー
- ② チャック
- ③ 先端工具ロック解除
- ④ デプスゲージ (アクセサリ)
- ⑤ 機能切り替えスイッチ
- ⑥ チゼルロック
- ⑦ 無段変速スイッチ
- ⑧ 機能信号
- ⑨ サービスインジケータ
- ⑩ ハーフパワーインジケータ
- ⑪ ハーフパワースイッチ
- ⑫ コーディングされた脱着式プラグ付きの電源コード
- ⑬ サイドハンドル

3.2 正しい使用

本書で説明している製品は、ニューマチック構造の打撃機構を備えた電動式コンビハンマードリルです。本製品は、コンクリート、石材、木材および金属への穿孔作業用の工具です。さらに、本製品は石材への軽度から中程度のハツリ作業、およびコンクリートへの再加工作业に使用できます。

▶ 必ず銘板に表示されている電圧、周波数で使用してください。

3.3 アンダーカットアンカー

本製品は、アンダーカットアンカーの打設に適しています。必ず適切なアンカー打設工具を使用してください！

これに関する詳細な情報は、弊社営業担当またはHilti センターにお問い合わせください。

3.4 考えられる誤った使用

- 本製品は、健康を損なう危険のある母材を作業するには適していません。
- 本製品は、湿気の多い環境での作業には適していません。

3.5 Active Vibration Reduction

本製品は、振動を大幅に低減させるActive Vibration Reduction (AVR) システムを装備しています。

3.6 ATC

製品は、アクティブトルクコントロールATC (Active Torque Control) を装備しています。

先端工具がブロックしたりあるいは噛むと、製品は突然に作業者の操作によらずに反対方向へ回転します。ATCは製品のこの突然の回転動作を検知し、製品を直ちにオフにします。





正しく作動するためには製品が回転できる必要があります。
シャットオフ機能が正常に作動した後は、製品をオフにして再びオンにします。

3.7 サービスインジケータ

本製品はサービスインジケータを装備しています。

3.7.1 サービスインジケータの状態

状態	意味
サービスインジケータが点灯。	作動時間がサービス期限に達しています。
サービスインジケータが点滅。	コンビハンマードリルの修理はHilti サービスセンターに依頼してください。

3.8 本体標準セット構成

コンビハンマードリル、サイドハンドル、取扱説明書。

その他のご使用の製品用に許可されたシステム製品については、弊社営業担当またはHilti Storeにお問い合わせいただくか、あるいはwww.hilti.groupでご確認ください。

4 製品仕様

4.1 コンビハンマードリル



定格電圧、周波数および定格電力については、国別の銘板でご確認ください。
発電機または変圧器を使用しての作業の場合は、それらは本体の銘板に記載されている定格電力より2倍以上大きな出力がなければなりません。変圧器または発電機の作動電圧は、常に本体の定格電圧の+5 %...-15 % の範囲にしなければなりません。

重量 (EPTA プロシージャ 01 に準拠)	10 kg
-------------------------	-------

4.2 騒音および振動値について (EN 60745 準拠)

本説明書に記載されているサウンドプレッシャー値および振動値は、規格に準拠した測定方法に基づいて測定したものです。電動工具を比較するのにご使用いただけます。曝露値の暫定的な予測にも適しています。記載されているデータは、電動工具の主要な使用方法に対する値です。電動工具を他の用途で使用したり、異なる先端工具を取り付けて使用したり、手入れや保守が十分でないまま使用した場合には、データが異なることがあります。このような相違により、作業時間全体で曝露値が著しく高くなる可能性があります。曝露値を正確に予測するためには、本体のスイッチをオフにしている時間や、本体が作動していても実際には使用していない時間も考慮しなければなりません。このような相違により、作業時間全体で曝露値が著しく低くなる可能性があります。作業者を騒音および/または振動による影響から保護するために、他にも安全対策を立ててください (例：電動工具およびの先端工具の手入れや保守、手を冷やさないようにする、作業手順の計画を立てる)。

騒音排出値

サウンドパワーレベル (L_{WA})	111 dB(A)
サウンドパワーレベルの不確実性 (K_{WA})	3 dB(A)
排出サウンドプレッシャーレベル (L_{pA})	100 dB(A)
サウンドプレッシャーレベルの不確実性 (K_{pA})	3 dB(A)

合計振動値

コンクリートへの回転 + 打撃の排出振動値 ($a_{h,HD}$)	8.3 m/s^2
ハツリの排出振動値 ($a_{h,Cheq}$)	8 m/s^2
不確実性 (K)	1.5 m/s^2



5 ご使用方法

5.1 作業準備

注意

負傷の危険！ 製品は意図せず作動することがあります。

▶ 本体の設定やアクセサリーの交換を行う前に電源プラグを抜いてください。

本書および製品に記載されている安全上の注意と警告表示に注意してください。

5.1.1 接続可能な電源コードを接続する

注意

負傷の危険 電気接点が汚れていると漏れ電流が発生して負傷の危険があります。

▶ 脱着式電気プラグは、必ず汚れがなく、乾燥した通電のない状態で電動工具に接続してください。

1. コーディングされた脱着式電気プラグを製品のストップ位置まで、ロックの作動音が聞こえるまで差し込みます。
2. 電源プラグをコンセントに差し込みます。

5.1.2 接続可能な電源コードを電動工具から外す

1. 電源プラグをコンセントから抜きます。
2. ロックボタンを押し、コーディングされた脱着式電気プラグを引き抜きます。
3. 電源コードを本体から外します。

5.1.3 サイドハンドルを取り付ける

注意

負傷の危険 コンビハンマードリルのコントロールの喪失。

▶ サイドハンドルが正しく取り付けられ、しっかりと固定されていることを確認してください。クランピングバンドが本体の専用の溝にはまっていることを確認してください。

1. グリップを回してサイドハンドルのクランピングバンドを緩めます。
2. クランピングバンドを前方から取付け用溝のところまでスライドさせてチャックへと取り付けます。
3. サイドハンドルをご希望の位置にします。
4. グリップを回してサイドハンドルのクランピングバンドを張ります。

5.1.4 デブスゲージを取り付ける (オプション)

1. グリップを回してサイドハンドルのクランピングバンドを緩めます。
2. デブスゲージを前方から取付け用の2個のガイド穴に通します。
3. グリップを回してサイドハンドルのクランピングバンドを張ります。

5.1.5 スイッチロック



ハツリモードで作業する場合、コントロールスイッチを作動状態でロックできます。

▶ スイッチロックを操作します。

5.1.6 先端工具を装着する



適切でないグリスを使用すると、製品の損傷の原因となることがあります。必ずHiltiの純正グリスを使用してください。

1. 先端工具のコネクションエンドにグリスを軽く塗布します。
 - ▶ 必ずHiltiの純正グリスを使用してください。不適切なグリスを使用すると製品損傷の原因となることがあります。
2. 先端工具をチャックのストップ位置まで差し込み、ロックさせます。
3. 装着後に先端工具を引っ張り、確実にロックされているか確認します。
 - ▶ 製品は作動可能状態です。



5.1.7 先端工具を取り外す

- ▶ チャックロックスリーブをストップ位置まで引き戻し、先端工具を取り外します。

必ずHiltiの純正グリスを使用してください。適切でないグリスを使用すると、製品の損傷の原因となることがあります。

5.1.8 出力を調整する



出力の調整は、作動モードがオンになっている場合にのみ可能です。ハーフパワーに調整するには、「ハーフパワー」ボタンを押します。パワーインジケータの点灯により、出力が低減されていることを知らせます。「ハーフパワー」ボタンをもう一度押すと本体は再びフルパワーに切り替わり、パワーインジケータは消灯します。または製品のスイッチを一度オフにしてからオンにしても、再びフルパワーを使用できるようになります。

- ▶ 出力を調整します。

5.2 作業



警告

感電による危険！ アース線および漏電遮断器がないと、重傷事故および火傷の危険があります。

- ▶ 工事現場の電気供給配線には、電源からのものであるか発電機からのものであるかを問わず、必ずアース線と漏電遮断器が備わっていて、それらが接続されていることを確認してください。
- ▶ これらの安全対策を施さずに製品を作動させないでください。



警告

損傷したコードによる危険！ 作業中に電源コードまたは延長コードを損傷した場合は、本体とコードを直ちに電源との接続を解除してください。故障箇所には触れないでください！

- ▶ すべての接続コードを定期的に点検してください。故障している延長コードは交換してください。

作業の全般について現場監督者の許可を得てください！

5.2.1 回転のみ



専用のコネクションエンドを使用すると、回転のみの作動が可能になります。そのような先端工具は、Hilti 先端工具プログラムよりお求めいただけます。

例えばシャンク形状が円になっている木工用または鉄工用ドリルビットをクイックリリースチャックに挿入し、回転のみの作動を行うことができます。

- ▶ 機能切り替えスイッチを の位置にします。

5.2.2 回転 + 打撃 (打撃穿孔)

- ▶ 機能切り替えスイッチを の位置にします。

5.2.3 チゼル角度調整



注意

負傷の危険！ ハツリ方向のコントロールの喪失。

- ▶ 「チゼル角度調整」位置で作業をしないでください。機能切り替えスイッチを「ハツリ作業」の位置にし、その位置にロックさせます。



チゼルは 24 の異なる位置に (15° ステップで) 調整することができます。これによってコールドチゼルでもスケーリングチゼルでも、最適の角度で作業できます。

- ▶ 機能切り替えスイッチを の位置にします。

5.2.4 ハツリ作業

- ▶ 機能切り替えスイッチを の位置にします。



6 手入れと保守

警告

感電による危険！ 電源プラグをコンセントに接続した状態で手入れや保守を行うと、重傷事故および火傷の危険があります。

- ▶ 手入れや保守作業の前に、必ず電源プラグをコンセントから抜いてください。

手入れ

- 強固に付着した汚れは慎重に除去してください。
- 通気溝を乾いたブラシで入念に清掃してください。
- ハウジングは必ず軽く湿らせた布で清掃してください。シリコンを含んだ清掃用具はプラスチック部品をいためる可能性があるので使用しないでください。

保守

警告

感電による危険！ 電気部品の誤った修理は、重傷事故および火傷の原因となることがあります。

- ▶ 電気部品の修理を行うことができるのは、訓練された修理スペシャリストだけです。
- 目視確認可能なすべての部品について損傷の有無を、操作エレメントについては問題なく機能することを定期的に点検してください。
- 損傷および / または機能に問題のある場合は、本製品を使用しないでください。直ちに **Hilti** サービスセンターに修理を依頼してください。
- 手入れおよび保守作業の後は、すべての安全機構を取り付けて機能を点検してください。



安全な作動のために、必ず純正のスペアパーツと消耗品を使用してください。本製品向けに弊社が承認したスペアパーツ、消耗品およびアクセサリは、弊社営業担当または **Hilti Store** にお問い合わせいただくか、あるいは www.hilti.group。

6.1 防じんカバーの清掃

- ▶ チャックの防じんカバーは、清潔な乾いた布で定期的に清掃してください。
- ▶ シーリングリップをていねいに拭き、**Hilti** グリスを薄く塗布します。
- ▶ シーリングリップに損傷がある場合は、防じんカバーを必ず交換してください。

7 搬送および保管

- 電動工具は先端工具を装着した状態で搬送しないでください。
- 電動工具は常に電源プラグを外して保管してください。
- 本体は、乾燥している場所に、子供や権限のない人が手を触れることのないようにして保管してください。
- 電動工具を長距離にわたって搬送したり長期にわたって保管した後は、使用前に損傷がないかチェックしてください。

8 故障時のヒント

この表に記載されていない、あるいはご自身で解消することのできない故障が発生した場合には、弊社営業担当または **Hilti** サービスセンターにご連絡ください。

8.1 故障かな？ と思った時

故障	考えられる原因	解決策
製品が始動しない。	主電源が供給されていない。	▶ 他の電動工具を接続して機能を点検する。
	発電機がスリープモード。	▶ 発電機に別の電気負荷（ランプ等）をかけてください。その後製品をオフにして、再びオンにします。
	電源遮断後、電子式始動インターロックがアクティブになっている。	▶ 製品をオフにして、再びオンにします。



故障	考えられる原因	解決策
製品が始動しない。	接続可能な電源コードが正しく接続されていない。	▶ 接続可能な電源コードを電動工具に正しく接続してください。
	カーボンブラシの摩耗。	▶ 修理スペシャリストに点検を依頼し、必要な場合には交換する。
打撃がない。	製品温度が低すぎる。	▶ 製品を母材に接触させて、アイドリング回転させます。打撃機構が作動するまでこれを繰り返してください。
製品がフルパワーにならない。	延長コードが長すぎる、または導体断面積が小さすぎる。	▶ 許容された長さと同程度の導体断面積を持つ延長コードを使用する。
	コントロールスイッチの握り込みが不十分。	▶ コントロールスイッチを一杯に握り込む。
	供給電源の電圧が低すぎる。	▶ 製品を別の電源に接続します。
	「ハーフパワー」ボタンがオンになっている。	▶ 「ハーフパワー」ボタンを押してください。
ドリルビットが回転しない。	機能切り替えスイッチがロックされていない、または「ハツリ作業」 T か「チゼル角度調整」 ⇄ の位置になっている。	▶ 停止時に機能切り替えスイッチを「回転+打撃」 ↑ の位置にする。
ドリルビットのロックが外れない。	チャックが完全に引き戻されていない。	▶ チャックロックスリーブをストップ位置まで引き戻し、先端工具を引き抜く。
	サイドハンドルが正しく取り付けられていない。	▶ サイドハンドルを緩めて、クランピングバンドとサイドハンドルが奥でロックされるように正しい位置に取り付ける。
ドリルビットが噛むと製品がオフになる。	さらなる噛み込みを防止するため電子安全機構が作動した。	▶ ドリルビットを緩めます。
サービスインジケータが点滅。	製品の損傷。	▶ Hilti サービスセンターに修理を依頼してください。
サービスインジケータが点灯。	カーボンブラシの摩耗。	▶ 修理スペシャリストに点検を依頼し、必要な場合には交換する。

9 廃棄

Hilti 製品の大部分の部品はリサイクル可能です。リサイクル前にそれぞれの部品は分別して回収されなければなりません。多くの国で Hilti は、古い電動工具をリサイクルのために回収しています。詳細については弊社営業担当または Hilti 代理店・販売店にお尋ねください。



- ▶ 電動工具、電子機器およびバッテリーを一般ゴミとして廃棄してはなりません！

10 RoHS (有害物質使用制限に関するガイドライン)

下記のリンクより、有害物質を記載した表を確認できます：qr.hilti.com/r6851673。
本書の最終ページに RoHS 表にリンクした QR コードがあります。

11 メーカー保証

- ▶ 保証条件に関するご質問は、最寄りの Hilti 代理店・販売店までお問い合わせください。



오리지널 사용 설명서

1 문서 관련 기재사항

1.1 본 문서에 대해

- 처음 사용하기 전에 본 문서 전체를 읽으십시오. 안전하게 작업하고 문제 없이 취급하기 위한 전제가 됩니다.
- 본 문서 및 제품에 나와 있는 안전 지침 및 경고 지침에 유의하십시오.
- 항상 제품에 있는 사용 설명서를 잘 보관하고 제품은 반드시 본 지침과 함께 다른 사람에게 전달하십시오.

1.2 기호 설명

1.2.1 경고사항

본 제품을 다루면서 발생할 수 있는 위험에 대한 경고사항. 다음과 같은 시그널 워드가 사용됩니다.



위험

위험!

- ▶ 이 기호는 직접적인 위험을 표시합니다. 만약 지키지 않으면 심각한 부상을 당하거나 사망할 수도 있습니다.



경고

경고!

- ▶ 이 기호는 잠재적인 위험을 표시합니다. 만약 지키지 않으면 심각한 부상을 당하거나 사망할 수도 있습니다.



주의

주의!

- ▶ 이 기호는 잠재적인 위험 상황을 표시합니다. 만약 지키지 않으면 부상 또는 물질 손실을 입을 수 있습니다.

1.2.2 문서에 사용된 기호

본 문서에서 사용되는 기호는 다음과 같습니다.

	사용하기 전에 사용설명서를 읽으십시오.
	적용 지침 및 기타 유용한 사용정보
	재사용이 가능한 자재 취급방법
	전기 기기 및 배터리를 일반 가정의 쓰레기처럼 폐기해서는 안 됨

1.2.3 그림에 사용된 기호

다음과 같은 기호가 그림에 사용됩니다.

2	이 숫자는 본 지침 첫 부분에 있는 해당 그림을 나타냅니다.
3	매겨진 숫자는 작업 단계의 순서를 나타내며, 텍스트에 매겨진 작업 단계와 차이가 있을 수 있습니다.
⑪	항목 번호는 개요 그림에서 사용되며, 제품 개요 단락에 나와 있는 기호 설명 번호를 나타냅니다.
	이 표시는 제품을 다룰 때, 특별히 주의할 사항을 나타냅니다.
	기기를 가지고 작업하는 동안 보호장갑을 착용하십시오.



1.3 제품 관련 기호

1.3.1 제품에 사용된 기호

제품에 사용되는 기호는 다음과 같습니다.

V	볼트
A	암페어
Hz	헤르츠
/min	분당 회전수
RPM	분당 회전수
∅	직경
~	교류
	보호 등급 II(이중 절연)
	본 제품은 무선 데이터 전송을 지원하며, iOS 및 Android 플랫폼과 호환 가능합니다.

1.4 제품 정보

HILTI 제품은 전문가용으로 설계되어 있으며, 해당 교육을 이수한 공인된 작업자를 통해서만 조작, 유지 보수 및 수리 작업을 진행할 수 있습니다. 이 기술자는 발생할 수 있는 위험에 대해 특별 교육을 받은 상태여야 합니다. 교육을 받지 않은 사람이 제품을 부적절하게 취급하거나 규정에 맞지 않게 사용할 경우에는 기기와 그 보조기구에 의해 부상을 당할 위험이 있습니다.

형식 명칭 및 일련 번호는 형식 라벨에 제시되어 있습니다.

- ▶ 일련 번호를 다음의 표에 옮기십시오. 대리점 또는 서비스 센터에 문의할 경우 제품 제원이 필요합니다.

제품 제원

콤비 해머	TE 70-ATC/AVR
세대	04
일련 번호	

1.5 적합성 선언

폐사는 전적으로 책임을 지고 여기에 기술된 제품이 통용되는 기준과 규격에 일치함을 공표합니다. 적합성 증명서 사본은 본 문서 끝 부분에서 확인할 수 있습니다.

기술 문서는 이곳에 기술되어 있습니다.

Hilti Entwicklungsgesellschaft mbH | Zulassung Geräte | Hiltistraße 6 | 86916 Kaufering, DE

2 안전

2.1 전동 공구에 대한 일반적인 안전상의 주의사항

⚠ 경고 해당 전동 공구와 함께 동봉된 모든 안전상의 주의 사항, 지침, 그림 및 기술자료를 숙지하십시오. 다음과 같은 지침 내용을 준수하지 않으면 전기 충격, 화재가 발생하거나 그리고/또는 중상을 입을 수 있습니다. 앞으로 모든 안전상의 주의사항과 지침을 보관하십시오.

안전상의 주의사항에서 사용되는 "전동 공구"라는 개념은 전원에 연결하여 사용하는 전동 공구(전원 케이블 있음) 또는 배터리를 사용하는 전동 공구(전원 케이블 없음)를 의미합니다.

작업장 안전수칙

- ▶ 작업장을 항상 깨끗이 하고 조명이 잘 들도록 하십시오. 어수선한 작업환경 또는 어두운 작업장은 사고를 초래할 수 있습니다.
- ▶ 인화성 액체, 가스 또는 먼지가 있어 폭발 위험이 있는 환경에서는 전동 공구를 사용하지 마십시오. 전동 공구는 먼지나 증기를 점화시킬 수 있는 스파크를 일으킵니다.



- ▶ 전동 공구를 사용할 때, 어린이들이나 다른 사람들이 작업장에 접근하지 못하도록 하십시오. 다른 사람의 방해로 인해 기기를 통제하기 어렵습니다.

전기에 관한 안전수칙

- ▶ 전동 공구의 전원 플러그가 소켓에 잘 끼워져야 합니다. 플러그를 절대 변형시켜서는 안됩니다. 접지된 전동 공구와 함께 아답타 플러그를 사용하지 마십시오. 변형되지 않은 플러그와 적합한 소켓을 사용하면 감전의 위험을 줄일 수 있습니다.
- ▶ 파이프, 히터, 전기레인지, 냉장고와 같은 접지 표면에 신체 접촉을 피하십시오. 신체에 닿을 경우 감전될 위험이 높습니다.
- ▶ 전동 공구가 비에 맞지 않도록 하고 습한 장소에 두지 마십시오. 전동 공구에 물이 들어가면 감전될 위험이 높습니다.
- ▶ 전원 케이블만 잡고 전동 공구를 운반하거나 걸어 놓아서는 안되며, 소켓에서 전원 플러그를 빼낼 때 케이블만 잡은 채로 빼내지 마십시오. 전원 케이블이 열, 오일, 날카로운 모서리 또는 부품의 가동 부위에 접촉하지 않도록 주의하십시오. 손상되거나 서로 꼬인 전원 케이블은 감전 위험을 높입니다.
- ▶ 실외에서 전동 공구를 이용하여 작업할 때, 실외용으로 승인된 연장 케이블만 사용하십시오. 실외용 연장 케이블을 사용하면 감전의 위험을 줄여줍니다.
- ▶ 전동 공구를 습한 환경에서 사용하는 것을 피할 수 없을 경우, 누전 차단기를 사용하십시오. 누전 차단기를 사용하면 감전 위험을 줄일 수 있습니다.

사용자 안전수칙

- ▶ 신중하게 작업하십시오. 작업에 정신을 집중하고 전동 공구를 사용할 때 경솔하게 행동하지 마십시오. 피곤하거나 항정신성 약물, 술 또는 약을 복용시에는 전동 공구를 사용하지 마십시오. 전동 공구 사용 시 이에 유의하지 않을 경우 심각한 부상을 초래할 수 있습니다.
- ▶ 안전 장비를 갖추고 보안경을 착용하십시오. 전동 공구의 종류와 사용에 따라, 먼지 보호 마스크, 미끄럼 방지용 안전 신발, 안전모 또는 귀마개 등과 같은 안전한 보호장비를 착용하면 부상의 위험을 줄일 수 있습니다.
- ▶ 실수로 기기가 작동하지 않도록 주의하십시오. 전동 공구를 전원 그리고/또는 배터리에 연결하기 전, 보관 또는 운반 전에 전동 공구가 스위치 OFF 상태인지 확인하십시오. 전동 공구 운반 시 스위치에 손가락을 대거나 스위치가 켜진 상태에서 전원을 연결하면 사고를 유발할 수 있습니다.
- ▶ 전동 공구의 스위치를 켜기 전, 조정공구 또는 렌치를 제거하십시오. 기기 회전부에 남아있는 공구나 렌치로 인해 부상을 입을 수 있습니다.
- ▶ 작업 시 비정상적인 자세는 피하십시오. 안전한 작업자세가 되도록 하고, 항상 균형을 유지하십시오. 이렇게 하여 예기치 않은 상황에서도 전동 공구를 잘 제어할 수 있습니다.
- ▶ 적합한 작업복을 착용하십시오. 헐렁한 복장이나 장식품을 착용하지 마십시오. 작동하는 기기 가동 부위에 머리, 옷 그리고 장갑이 가까이 닿지 않도록 주의하십시오. 헐렁한 복장, 장식품 혹은 긴 머리가 가동 부위에 밀려 들어갈 수 있습니다.
- ▶ 먼지 제거장치나 수거장치를 설치할 수 있는 기기의 경우, 이 장치들이 연결되어 있는지 그리고 제대로 작동되는지를 확인하십시오. 먼지 포집장치 사용은 먼지로 인한 위험을 줄여줄 수 있습니다.
- ▶ 이 전동 공구를 여러번 사용해왔다고 해서 안전하다고 안심하지 말고 전동 공구에 해당하는 안전 규칙을 무시하지 마십시오. 부주의하게 행할 경우 아주 짧은 순간에 중상을 입을 수 있습니다.

전동 공구의 취급과 사용

- ▶ 기기에 과부하가 걸리지 않도록 하십시오. 귀하의 작업에 적합한 전동 공구를 사용하십시오. 적합한 전동 공구를 사용하면, 지정된 성능 한도 내에서 더 효율적으로 안전하게 작업할 수 있습니다.
- ▶ 스위치가 고장난 전동 공구는 사용하지 마십시오. 스위치가 작동되지 않는 전동 공구는 위험하므로, 반드시 수리를 해야 합니다.
- ▶ 기기 세팅을 실행, 액세서리를 교환 또는 기기를 보관하기 전에 컨택터를 전원소켓에서 그리고/또는 탈착식 배터리를 기기에서 빼놓으십시오. 이러한 조치는 실수로 전동 공구가 작동하지 않도록 방지합니다.
- ▶ 사용하지 않는 전동 공구는 어린이들의 손이 닿지 않는 곳에 보관하십시오. 기기 사용에 익숙치 않거나 또는 이 안전수칙을 읽지 않은 사람이 기기를 사용해서는 안 됩니다. 비숙련자가 전동 공구를 사용하면 위험합니다.
- ▶ 전동 공구 및 액세서리를 유의해서 관리하십시오. 기기의 가동 부위가 완벽하게 작동하는지, 끼어 있지 않은지, 혹은 부품이 손상되거나 파손되어 있어 전동 공구의 기능을 저하시키지 않는지 점검하십시오. 기기 사용 전 손상된 부품을 수리하도록 하십시오. 제대로 관리되지 않은 전동 공구는 많은 사고를 유발합니다.
- ▶ 절단기기는 날카롭고 깨끗하게 관리하십시오. 날카로운 절단면이 있고 잘 관리된 절단기기는 끼이는 경우가 드물고 조절하기도 쉽습니다.
- ▶ 본 지침에 따라 전동 공구, 액세서리, 공구 비트 등을 사용하십시오. 이 때 작업 조건과 실시하려는 작업 내용을 고려하십시오. 원래 사용 분야가 아닌 다른 작업에 전동 공구를 사용할 경우, 위험한 상황을 초래할 수 있습니다.
- ▶ 손잡이 및 손잡이 표면은 건조하고 깨끗하게, 그리고 오일과 그리스가 묻어있지 않도록 해야 합니다. 미끄러운 손잡이 및 손잡이 표면은 예상치 못한 상황에서 전동 공구를 안전하게 조작하고 제어할 수 없습니다.



서비스

- ▶ 전동 공구는 반드시 자격을 갖춘 전문 기술자에 의해 그리고 순정 대체부품만 이용하여 수리해야 합니다. 이렇게 하여 전동 공구의 안전성을 계속해서 유지할 수 있습니다.

2.2 해머에 대한 안전상의 주의사항

모든 작업에 대한 안전상의 주의사항

- ▶ 귀마개를 착용하십시오. 소음은 청각 상실을 유발할 수 있습니다.
- ▶ 기기와 함께 공급된 보조 손잡이를 사용하십시오. 기기를 제어하지 못하면 부상을 입을 수 있습니다.
- ▶ 사용하기 전에 전동 공구를 잘 살펴주세요. 본 전동 공구는 높은 토크가 발생합니다. 전동 공구를 작동하는 도중 안전하게 받쳐주지 않을 경우, 통제력을 잃고 부상을 입을 수 있습니다.
- ▶ 공구 비트가 숨겨진 전선이나 기기 자체의 전원 케이블과 접촉할 수 있는 작업을 할 경우, 항상 기기의 절연된 손잡이 부분을 잡으십시오. 전류가 흐르는 전선과 접촉하면 전동 공구의 금속 부위를 통해 감전이 될 수도 있습니다.

긴 드릴 사용 시 안전상의 주의 사항

- ▶ 드릴 작업은 항상 낮은 속도로 드릴이 공작물에 닿은 상태로 시작하십시오. 더 높은 속도로 작업하는 경우 드릴이 공작물에 닿지 않은 상태에서 회전하면 쉽게 구부러져 부상을 입을 수 있습니다.
- ▶ 과도한 힘을 가하지 말고 드릴이 작동하는 방향으로만 힘을 가하십시오. 드릴이 휘어져 파손되거나 통제력을 잃어 부상을 유발할 수 있습니다.

2.3 그외 로터리 함마 드릴에 관한 안전상의 주의사항

사용자 안전수칙

- ▶ 기술적 하자가 없는 상태에서만 제품을 사용하십시오.
- ▶ 어떠한 경우에도 기기를 무단 변경 또는 개조하지 마십시오.
- ▶ 기기와 함께 공급된 보조 손잡이를 사용하십시오. 기기를 제어하지 못하면 부상을 입을 수 있습니다.
- ▶ 천공 작업 시, 작업할 부분의 반대편이 안전하게 조치를 취하십시오. 발생하는 분쇄물이 빠져 나오거나 또는 떨어지면서 다른 사람이 부상을 입을 수 있습니다.
- ▶ 항상 양 손으로 기기의 손잡이를 잡고 공구를 고정시키십시오. 손잡이는 건조하고 깨끗하게 유지하십시오.
- ▶ 숨겨진 전선에 공구 비트가 접촉할 수 있는 작업을 실행할 경우, 항상 기기의 절연된 손잡이 부분을 잡으십시오. 전류가 흐르는 전선과 접촉하면 전동공구의 금속 부위를 통해 감전이 될 수도 있습니다.
- ▶ 회전하는 부품에 접촉하지 않도록 하십시오. - 부상 위험!
- ▶ 기기를 사용하는 동안 적합한 보안경, 안전모, 귀마개, 보호장갑, 안전화 및 보호 마스크를 착용해야 합니다.
- ▶ 공구 교체 시에도 보호장갑을 착용하십시오. 공구 비트에 닿으면 부상을 입거나 화상을 당할 수 있습니다.
- ▶ 보안경을 착용하십시오. 재료의 파편으로 인해 눈 등 신체에 부상을 입을 수 있습니다.
- ▶ 작업을 시작하기 전, 작업 시 발생하는 먼지의 위험 등급을 알아보십시오. 해당 국가의 먼지 방지 규정에 적합하며, 공식적으로 허용된 보호 등급의 산업용 진공 청소기만을 사용하십시오. 납이 함유된 도료, 일부 목재, 콘크리트/조적벽돌/수정을 함유한 암석 및 금속과 같은 광물질로부터 나오는 먼지는 건강에 해로울 수 있습니다.
- ▶ 작업장을 잘 환기시키고 먼지의 종류에 따라 필요 시 보호마스크를 착용하십시오. 먼지를 흡입하거나 만질 경우, 사용자 또는 근처에 있는 사람에게 기관지 질병이나 알레르기 반응이 나타날 수 있습니다. 딱딱한 무 입자 또는 너도밤나무 입자와 같은 특정 종류의 먼지는, 특히 목재 처리용으로 사용하는 첨가제(크롬산 염, 목재 부식 방지제)와 결합하여 암을 일으킬 수 있습니다. 석면 물질은 전문가자만 다룰 수 있습니다.
- ▶ 손가락의 혈액순환이 잘 되도록 하기 위해 휴식시간 동안 손가락 운동을 하십시오. 장시간 작업하면 진동으로 인해 혈관 장애 또는 손가락, 손 및 손목의 신경 체계에 이상이 있을 수 있습니다.

전기에 관한 안전수칙

- ▶ 작업을 시작하기 전에, 작업장에서 가려져 있거나 덮혀 있는 전기 배선, 가스 파이프 그리고 하수도관이 있는지를 점검하십시오. 실수로 전기 케이블을 손상시킨 경우, 기기 바깥쪽에 있는 금속 부품에서 전기 쇼크를 일으킬 수 있습니다.

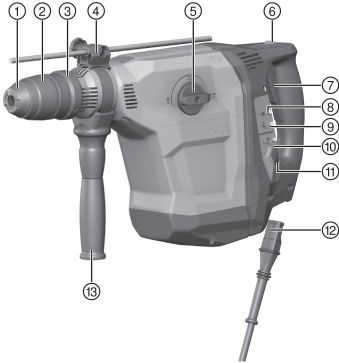
전동 공구의 올바른 사용방법과 취급방법

- ▶ 전동공구가 블로킹된 경우 즉시 전동공구의 스위치를 끄십시오. 기기가 옆으로 기울어질 수 있습니다.
- ▶ 전동공구를 내려놓기 전에 전동공구가 완전히 정지할 때까지 기다리십시오.



3 제품 설명

3.1 제품 개요



- ① 더스트 캡
- ② 척 아답타
- ③ 공구 잠금장치
- ④ 깊이 게이지(액세서리)
- ⑤ 기능 선택 스위치
- ⑥ 치출 잠금장치
- ⑦ 컨트롤 스위치
- ⑧ 작동 신호
- ⑨ 서비스 표시기
- ⑩ 반출력을 위한 디스플레이
- ⑪ 반출력 스위치
- ⑫ 분리식 플러그 컨넥터가 달린 전원 케이블
- ⑬ 측면 손잡이

3.2 규정에 맞는 사용

기술된 제품은 공압식 타격기구를 갖춘 전기 구동식 콤비 해머입니다. 이 기기는 콘크리트, 조적벽돌, 목재 및 금속 드릴링 작업에 적합합니다. 더불어 석재에 가벼운 치출링 작업에서부터 중간 정도의 치출링 작업을 할 때, 그리고 콘크리트에서 마무리작업을 할 때에도 이 제품을 사용할 수 있습니다.

▶ 형식 라벨에 제시되어 있는 정격 전압과 정격 주파수로만 기기를 작동시켜야 합니다.

3.3 언더컷-앵커

본 제품은 언더컷-앵커를 타정하는 데 적합합니다. 적합한 공구 세트만을 사용하십시오. 이에 대한 자세한 정보는 Hilti 센터에서 얻을 수 있습니다.

3.4 잘못 사용할 수 있는 경우

- 본 제품은 건강에 유해한 물질을 가공하는 데 적합하지 않습니다.
- 본 제품은 습한 환경에서 작업하는 데 적합하지 않습니다.

3.5 Active Vibration Reduction

본 제품은 진동을 현저하게 줄여주는 Active Vibration Reduction (AVR) 시스템이 장착되어 있습니다.

3.6 ATC

본 제품에는 전자 제어식 급속 차단장치 ATC (Active Torque Control)가 장착되어 있습니다.

공구 비트가 막히거나 뜨는 끼어 움직이지 않게 되면, 제품은 제어되지 않은 상태에서 갑작스럽게 반대 방향으로 돌아갑니다. ATC는 제품의 이러한 갑작스런 회전 움직임을 감지하고 즉시 제품의 전원을 차단합니다.



i 올바르게 작동하려면 제품이 회전할 수 있어야 합니다.
급속 차단한 후 제품을 꺾다가 다시 켜십시오.

3.7 서비스 표시기

본 제품은 램프 신호가 있는 서비스 표시기가 장착되어 있습니다.

3.7.1 서비스 표시기 상태

상태	의미
서비스 표시기가 점등됨.	서비스 받을 시점에 도달하였음.
서비스 표시기가 깜박임.	Hilti 서비스 센터에서 콤비 해머를 수리 받으십시오.

3.8 공급품목

콤비 해머, 측면 손잡이, 사용 설명서

해당 제품에 허용되는 기타 시스템 제품은 **Hilti Store** 또는 다음 사이트에서 확인할 수 있습니다.

www.hilti.group

4 기술 지원

4.1 콤비 해머

i 정격 전압, 정격 전류, 주파수 및 정격 출력은 국가별 형식 라벨을 참조하십시오.
발전기 또는 변압기에서 작동할 경우, 발전기 및 변압기의 공급출력이 본 기기의 형식 라벨에 적힌 정격 출력보다 최소 두 배 이상 높아야 합니다. 변압기 및 발전기의 작동 전압은 항상 기기의 정격 전압의 +5 % ~ -15 % 사이에 위치해야 합니다.

EPTA-Procedure 01에 따른 무게	10kg
--------------------------	------

4.2 EN 60745에 따른 소음 정보 및 진동값

이 지침에 제시된 음압 및 진동수준은 표준화된 측정방법에 따라 측정된 것이며, 전동공구를 서로 비교하기 위한 용도로 사용할 수 있습니다. 음압 및 진동 수준은 노출 정도를 사전에 예측하는 데에도 유용하게 사용할 수 있도록 설계되어 있습니다. 제시된 데이터는 전동공구의 주된 용도를 나타냅니다. 그러나 전동공구를 다른 용도로 사용하거나 다른 공구 비트를 사용할 경우 또는 유지보수를 충분히 하지 않은 상태에서는 데이터에 편차가 있을 수 있습니다. 이러한 경우 전 작업시간에 걸쳐 노출이 현저하게 증가할 수 있습니다. 노출을 정확하게 평가하기 위해서는 기기 작동이 멈춰 있거나 또는 작동 중이지만 실제로는 사용하지 않는 시간도 고려해야 합니다. 이러한 경우 전 작업시간에 걸쳐 노출이 현저하게 감소할 수 있습니다. 사용자를 보호하기 위해 음파 그리고/또는 진동이 작용하기 전에 다음과 같은 추가적인 안전 조치를 취하십시오. 전동공구와 공구 비트의 유지보수, 손을 따뜻하게 유지, 작업순서 정하기 등.

소음 배출값

소음 수준 (L_{WA})	111dB(A)
소음 수준 허용공차 (K_{WA})	3dB(A)
음압 방출 수준 (L_{pA})	100dB(A)
음압 수준 허용공차 (K_{pA})	3dB(A)

진동 총 값

콘크리트에서의 로타리 함마 드릴 진동 배출값 ($a_{n,HD}$)	8.3m/s ²
치질링 진동 배출값 ($a_{n,Cheq}$)	8m/s ²
허용공차 (K)	1.5m/s ²



5.1 작업 준비 **주의**

부상위험! 제품의 돌발적인 사용.

- ▶ 기기 설정 또는 액세서리를 교체하기 전에 전원 플러그를 당기십시오.

본 문서 및 제품에 나와 있는 안전 지침 및 경고 지침에 유의하십시오.

5.1.1 전원 케이블 연결 **주의**

오염된 접점에서 누설 전류로 인한 부상 위험

- ▶ 깨끗하고, 건조하고, 전압이 흐르지 않는 상태에서만 분리식 전기 커넥터를 전동 공구에 연결하십시오.

1. 분리식 플러그 전기 커넥터를 제품 스톱 위치까지, 잠금 소리가 들릴 때까지 끼우십시오.
2. 전원 플러그를 소켓에 끼우십시오.

5.1.2 전동 공구에서 전원 케이블 분리

1. 전원 플러그를 소켓에서 빼내십시오.
2. 제동 버튼을 눌러 분리식 플러그 전기 커넥터를 빼내십시오.
3. 전원 케이블을 기기에서 당겨 빼십시오.

5.1.3 측면 손잡이 장착 **주의**

부상위험 콤비 해머 점검 생략

- ▶ 측면 손잡이가 정확하게 설치되고 올바르게 고정되어 있는지 확인하십시오. 기기의 지정된 홈에 조임 밴드가 있는지에 확인하십시오.

1. 손잡이를 돌려서 측면 손잡이 홀더(조임 밴드)를 푸십시오.
2. 홀더(조임 밴드)를 앞쪽에서부터 척 아답타 위로 지정된 홈까지 미십시오.
3. 측면 손잡이를 원하는 위치로 설정하십시오.
4. 손잡이를 돌려서 측면 손잡이 홀더(조임 밴드)를 조이십시오.

5.1.4 깊이 게이지 장착(선택사양)

1. 손잡이를 돌려서 측면 손잡이 홀더(조임 밴드)를 푸십시오.
2. 깊이 게이지를 앞쪽에서부터 지정된 2개의 가이드 홈 안쪽으로 미십시오.
3. 손잡이를 돌려서 측면 손잡이 홀더(조임 밴드)를 조이십시오.

5.1.5 컨트롤 스위치 잠금버튼

치즐링 작업에서 스위치가 ON된 상태에서 컨트롤 스위치를 잠글 수 있습니다.

- ▶ 컨트롤 스위치 잠금버튼을 누르십시오.

5.1.6 공구 삽입 

적합하지 않은 그리스를 사용하면 제품이 손상될 수 있습니다. Hilti의 순정 그리스만 사용하십시오.

1. 공구 비트에 그리스를 약간 바르십시오
 - ▶ Hilti의 순정 그리스만 사용하십시오. 적합하지 않은 그리스를 사용하면 제품이 손상될 수 있습니다.
2. 공구 비트를 스톱 위치까지 척 아답타에 끼우고 장착하십시오.
3. 장착 후 공구를 잡아 당겨, 제대로 잠겨졌는지를 점검하십시오.
 - ▶ 제품이 작동 가능한 상태입니다.



5.1.7 공구 분리

- ▶ 공구 잠금장치를 스톱 위치까지 뒤로 당겨 기기 비트를 빼내십시오.



Hilti의 순정 그리스만 사용하십시오. 적합하지 않은 그리스를 사용하면 제품이 손상될 수 있습니다.

5.1.8 출력 설정



출력 설정은 전원이 켜진 상태에서만 가능합니다.

반출력을 설정하려면, "반출력" 버튼을 누르십시오. 감소한 출력은 출력 표시바가 점등되면서 표시됩니다. "반출력" 버튼을 다시 누르면 기기가 다시 전출력으로 전환되고 출력 표시바가 소등됩니다. 제품의 전원을 껐다가 다시 켜도, 전출력으로 사용할 수 있습니다.

- ▶ 출력을 설정하십시오.

5.2 작업



경고

감전으로 인한 위험! 접지 도체 및 누전 차단기의 부재는 중상 및 화재를 유발할 수 있습니다.

- ▶ 공사현장의 전원 또는 발전기 전기 공급선에 접지 도체와 누전 차단기가 설치되어 있는지 그리고 연결되어 있는지 점검하십시오.
- ▶ 본 안전 지침 없이는 어떤 제품도 작동시키지 마십시오.



경고

손상된 케이블로 인한 위험! 작업 시 전원 케이블 또는 연장 케이블이 손상된 경우, 즉시 기기 및 케이블을 전원에서 분리하십시오. 결함이 있는 부위를 만지지 마십시오!

- ▶ 정기적으로 모든 연결 배선을 점검하십시오. 결함이 있는 연장 케이블을 교환하십시오.

건축 감독 또는 현장 엔지니어로부터 작업 승인을 완전히 받아야 합니다.

5.2.1 함마링 컷아웃



특수한 드릴 성크식 삽입공구를 이용하여, 함마링 컷아웃을 할 수 있습니다. 이러한 종류의 공구는 Hilti 삽입공구 프로그램에 포함되어 있습니다.

예를 들어 스트레이트 성크식 목재 드릴 비트 또는 금속 드릴 비트는 신속 교환식 척에 장착될 수 있고, 함마링 컷아웃에 사용될 수 있습니다.

- ▶ 기능 선택 스위치를 위치에 두십시오.

5.2.2 타격하여 드릴링(함마드릴링)

- ▶ 기능 선택 스위치를 위치에 두십시오.

5.2.3 치줄 각도 조정



주의

부상위험! 치줄링 방향 점검 생략

- ▶ "치줄 각도 조정하기" 위치에서 작업하지 마십시오. 스위치가 맞물려 고정될 때까지 기능 선택 스위치를 "치줄링" 위치에 두십시오.



치줄 각도를 24가지의 (15°단계) 다양한 위치로 돌 수 있습니다. 이를 통해 평치줄과 성형 치줄을 항상 최적의 작업위치에서 작동시킬 수 있습니다.

- ▶ 기능 선택 스위치를 위치에 두십시오.

5.2.4 치줄링

- ▶ 기능 선택 스위치를 위치에 두십시오.



6 관리 및 유지보수

경고

감전 위험! 전원 플러그가 삽입된 상태에서 관리 및 수리 작업을 진행하면 중상 및 화상을 입을 수 있습니다.

- ▶ 관리 및 수리 작업을 진행하기 전에 항상 전원 플러그를 분리하십시오!

관리

- 공구에 부착된 오염물질을 조심스럽게 제거하십시오.
- 마른 솔로 환기 흡을 조심스럽게 청소하십시오.
- 하우징은 약간 물을 적신 천으로만 닦으십시오. 플라스틱 부품을 손상시킬 수 있으므로 절대로 실리콘이 함유된 보호제를 사용하지 마십시오.

유지보수

경고

감전으로 인한 위험! 전기 구성부품에서 부적절하게 수리하면 중상을 입거나 화재를 야기할 수 있습니다.

- ▶ 전기 부품은 반드시 전기 기술자가 수리하도록 해야 합니다.

- 눈에 보이는 모든 부품은 정기적으로 손상 여부를 점검하고 조작 요소가 아무 문제 없이 작동하는지 점검하십시오.
- 손상되었거나 기능 장애가 있는 경우에는 제품을 작동하지 마십시오. 바로 **Hilti** 서비스 센터에서 수리받으십시오.
- 관리 및 수리 작업 후 모든 보호장치를 가져와 기능을 점검하십시오.

안전하게 작동하기 위해서는 순정품 예비 부품 및 소모품만 사용하십시오. 해당 제품에 허용되는 예비 부품, 소모품 및 액세서리는 **Hilti Store** 또는 에서 확인할 수 있습니다. www.hilti.group.

6.1 더스트 캡 청소

- ▶ 깨끗한 마른 걸레를 이용하여, 척 아답타의 더스트 캡을 정기적으로 청소하십시오.
- ▶ 씰링 립을 조심스럽게 깨끗하게 닦아낸 다음, **Hilti** 그리스를 다시 약간 바르십시오.
- ▶ 씰링 립이 손상되었을 경우, 반드시 더스트 캡을 교환하십시오.

7 운반 및 보관

- 전동공구는 공구가 끼워진 상태에서 운반하지 마십시오.
- 전동공구는 항상 전원 플러그를 당긴 상태로 보관하십시오.
- 기기는 건조한 상태로 보관하고 어린이 및 허용되지 않는 사람의 손에 닿지 않도록 하십시오.
- 전동공구를 장시간 운반 또는 보관한 후에는 사용하기 전에 손상 여부를 점검하십시오.

8 문제 발생 시 도움말

본 도표에 제시되어 있지 않거나 스스로 해결할 수 없는 문제가 발생한 경우 **Hilti** 서비스 센터에 문의해 주십시오.

8.1 고장진단

장애	예상되는 원인	해결책
제품이 작동하지 않음.	전원이 공급되지 않음.	▶ 다른 전동공구를 끼워 기능을 점검하십시오.
	발전기가 수면 모드에 있음.	▶ 발전기를 보조 전력 기기에 연결하십시오(예: 공사현장 전등). 그리고 나서 제품을 껐다가 다시 켜십시오.
	전원공급 중단 후에 전자식 작동급지가 활성화됨.	▶ 제품을 껐다가 다시 켜십시오.
	전원 케이블이 제대로 끼워지지 않음	▶ 전동공구에 전원 케이블을 제대로 연결하십시오.
	카본이 마모됨.	▶ 전기 기술자가 점검하도록 하고, 필요시 교환하십시오.



장애	예상되는 원인	해결책
타격이 되지 않음.	제품이 너무 차가움.	▶ 제품을 모재로 가져와서 공회전 상태로 작동시키십시오. 필요한 경우 함마링 장치가 작동될 때까지 과정을 반복하십시오.
제품이 전출력으로 작동되지 않음.	연장 케이블이 너무 길 그리고 / 또는 심선 단면적이 너무 작음.	▶ 허용된 길이로 된 연장 케이블 그리고 / 또는 단면적 크기가 충분한 심선을 사용하십시오.
	컨트롤 스위치가 완전히 눌러지지 않음.	▶ 컨트롤 스위치를 스톱위치까지 끝까지 누르십시오.
	전원 전압이 너무 낮음.	▶ 제품을 다른 전원에 연결하십시오.
	반출력 버튼이 켜짐.	▶ "반출력" 버튼을 누르십시오.
드릴이 회전하지 않음.	기능 선택 스위치가 고정되지 않았거나 "치출링" T 위치 또는 "치출 각도 조정" -> 위치에 있지 않음.	▶ 정지상태에서 기능선택 스위치를 "함마 드릴링" S 위치로 조정합니다.
드릴이 잠금상태에서 풀리지 않음.	척 아답타를 완전히 뒤로 당기지 않았음.	▶ 공구 잠금장치를 스톱위치까지 뒤로 당긴 다음 공구를 빼내십시오.
	측면 손잡이가 정확하게 장착 안 됨.	▶ 측면 손잡이를 푼 다음, 조임 밴드와 측면 손잡이가 홀에 안착되도록 정확하게 조립하십시오.
드릴이 걸려 제품 전원이 꺼짐.	또 걸리는 현상을 방지하기 위해 전자 제어식 보호장치가 활성화되었음.	▶ 드릴을 푸십시오.
서비스 표시기가 깜박임.	제품이 손상되었습니다.	▶ Hilti 서비스 센터에 제품 수리를 의뢰하십시오.
서비스 표시기가 점등됨.	카본이 마모됨.	▶ 전기 기술자가 점검하도록 하고, 필요시 교환하십시오.

9 폐기

Hilti 기기는 대부분 재사용이 가능한 소재로 제작되었습니다. 재활용을 위해 개별 부품을 분리하여 주십시오. **Hilti**는 대부분의 국가에서 재활용을 위해 노후기기를 수거해 갑니다. **Hilti** 고객 서비스센터 또는 판매 담당자에게 문의하십시오.



- ▶ 전동 공구, 전자식 기기 및 배터리를 일반 가정 쓰레기로 폐기하지 마십시오!

10 RoHS (유해물질 사용 제한 지침)

아래 링크에서 유해물질에 관한 도표를 확인할 수 있습니다. qr.hilti.com/r6851673.
RoHS 도표로 이어지는 링크는 본 문서 끝에 QR 코드 형식으로 제시되어 있습니다.

11 제조회사 보증

- ▶ 보증 조건에 관한 질문사항은 **Hilti** 파트너 지사에 문의하십시오.



原始操作說明

1 文件相關資訊

1.1 關於此文件

- 初次操作或使用前，請先詳讀此文件。本文件包含安全前提、疑難排解處理和產品使用。
- 請遵守本文中與產品上的安全說明和警告。
- 操作說明應與產品一起保管，產品交予他人時必須連同操作說明一起轉交。

進口商: 喜利得股份有限公司

地址: 新北市板橋區

新站路16號24樓22041

電話: 0800-221-036

1.2 符號的說明

1.2.1 警告

警告您在操作或使用本產品時可能發生之危險。採用了以下標示文字：



危險

危險！

- ▶ 此標語警示會發生對人造成嚴重傷害甚至致死的危險情形。



警告

警告！

- ▶ 此標語警示會造成嚴重傷害甚至致死危險的潛在威脅。



注意

注意！

- ▶ 請小心會造成人員受傷或對設備及其他財產造成損害的潛在危險情況。

1.2.2 文件中的符號

本文中採用以下符號：



使用前請閱讀操作說明。



使用操作說明與其他資訊



處理可回收的材料



不可將電子設備與電池當作家庭廢棄物處置

1.2.3 圖解中的符號

圖解中採用了以下符號：

2

號碼對應操作說明的開始處的圖解

3

編號代表圖解中的操作步驟順序，可能與內文中的步驟有所不同

⑪

概覽圖解中使用位置編號，方便您對應到產品概覽段落中的圖例編號



本符號是為了讓您在操作本產品時可以注意某些重點。



使用本機具工作時請穿戴防護手套。



1.3 產品專屬符號

1.3.1 產品上的符號

產品上會採用下列符號：

V	伏特
A	安培
Hz	赫茲
/min	每分轉數
RPM	每分轉數
∅	直徑
~	交流電
	防護等級II (雙重絕緣)
	本產品支援相容於iOS及Android平台的無線資料傳輸。

1.4 產品資訊

產品是針對專業使用者設計，故僅經訓練、認可的人員可操作、維修與維護本產品。必須告知上述人員關於可能遭遇到的特殊危險。若因未經訓練人員操作錯誤或未依照其原本的用途操作，則本產品和它的輔助工具設備有可能會發生危險。

類型名稱和序號都標示於額定銘牌上。

- ▶ 在下方表格中填入序號。與Hilti維修中心或當地Hilti機關聯絡查詢產品相關事宜時，我們需要您提供產品詳細資訊。

產品資訊

鑽鑿兩用電鎚鑽	TE 70-ATC/AVR
產品代別	04
序號	

1.5 符合聲明

基於我們唯一的責任，本公司在此聲明本產品符合適用的指示或標準。本文件結尾處有符合聲明之副本。技術文件已歸檔：

Hilti Entwicklungsgesellschaft mbH | Tool Certification | Hiltistrasse 6 | 86916 Kaufering, Germany

2 安全性

2.1 一般電動機具安全警告

警告 請詳閱本電動機具提供的所有安全警告、指示、圖解和說明。未能遵守以下所有指示可能會造成電擊事故、火災和/或嚴重的傷害。

妥善保存所有警告及說明，以供將來參考。

注意事項中的「機具」係指使用電源（有線）或電池（無線）的電動機具。

工作區域安全

- ▶ 請保持工作區的清潔與採光充足。雜亂而昏暗的工作區會導致意外發生。
- ▶ 勿在容易發生爆炸的環境中使用機具，例如有可燃性液體、瓦斯或粉塵存在的環境。機具產生的火花可能會引燃塵埃或煙霧。
- ▶ 操作機具時，請與兒童及旁人保持距離。注意力不集中時容易發生失控的情形。



電力安全

- ▶ 機具插頭與插座須能互相搭配。勿以任何方式改裝插頭。勿將任何變壓器插頭和與地面接觸（接地）的電動機具搭配使用。未經改裝的插頭以及能互相搭配的插座可減少發生電擊的危險。
- ▶ 避免讓身體碰觸到如管線、散熱器、爐灶與冰箱等與土地或地表接觸之物品。如果您的身體接觸到地表或地面，將增加電擊的危險。
- ▶ 請勿將機具曝露在下雨或潮濕的環境中。若水氣進入機具中將增加觸電的危險。
- ▶ 勿濫用電纜線。勿以電纜線吊掛、拖拉機具或拔下機具插頭。電纜線應避開熱氣、油、銳利的邊緣或移動性零件。電纜線損壞或纏繞會增加發生電擊事故的危險。
- ▶ 於室外操作機具時，須使用適用於戶外的延長線。使用適合戶外使用的延長線可降低觸電的風險。
- ▶ 如果無法避免在潮濕的地點操作機具，請使用漏電斷路器（RCD）保護電源供應器。使用漏電斷路器（RCD）可降低電擊的風險。

人員安全

- ▶ 操作機具時，請提高警覺，注意進行中的工作並善用常識。感到疲勞或受到藥物、酒精或治療的影響時勿使用機具。操作機具時稍不留神就可能造成嚴重的人員傷亡。
- ▶ 穿戴個人防護裝備。請隨時穿戴眼罩。適當使用防塵面罩、防滑鞋、安全帽及耳罩等安全防護配備可減少人員的傷害。
- ▶ 避免不經意的啟動。在接上電源或電池組、抬起或攜帶機具之前，務必確認開關處於關閉的位置。攜帶機具時，如果把手指放在開關上，或在開關開啟時，將機具插上插頭容易發生意外。
- ▶ 啟動機具前，應將所有調整鑰匙或扳手移開。將扳手或鑰匙留在機具的旋轉零件中可能會造成人員傷害。
- ▶ 勿將手伸出過遠。隨時站穩並維持平衡。這可讓您在意外情況發生時，對機具有較好的控制。
- ▶ 穿著適當服裝。請勿穿著寬鬆的衣服或佩戴珠寶。頭髮、衣服與手應遠離移動性零件。移動性零件可能會夾到寬鬆的衣服、珠寶或長髮。
- ▶ 如果機具可連接吸塵裝置與集塵設備，請連接並適當使用這些設備。使用集塵裝置可降低與粉塵有關的危險。
- ▶ 請勿因頻繁而習慣使用機具便疏於遵守或忽略機具的安全規範。草率使用可能在轉眼間便造成嚴重的傷害。

機具使用與保養

- ▶ 不可強制使用機具。依據用途使用正確的機具。根據設計的速率使用機具可更快速安全地完成工作。
- ▶ 若開關無法啟動或關閉電動工具時，請勿使用電動工具。任何無法以開關控制的機具都很危險且需要維修。
- ▶ 在進行任何調整、更換配件、或貯放電動機具前，請先將插頭拔離插座和 / 或將電池組自電動機具卸下（如可拆卸）。此預防安全措施可降低機具意外啟動的風險。
- ▶ 將關閉的機具貯放在兒童拿不到的地方，勿讓不熟悉或未詳閱本說明的人員操作本機具。機具在未經訓練的使用者手中是很危險的。
- ▶ 維護機具與配件。請檢查移動性零件有無偏移或黏合的情形、零件有無破損，以及任何會影響機具運轉的狀況。如果機具受損，請先維修後再使用。很多意外便是由維護不當的機具造成的。
- ▶ 保持切割機具的銳利與清潔。具銳利切割邊緣的切割機具如果得到適當的維護，便較不會發生黏合的現象，且較容易控制。
- ▶ 遵守本指示說明使用機具、配件和工具組等，並考量工作條件與待進行的工作。將機具用在原目的外之用途可能會造成危險。
- ▶ 保持握把與其表面的乾燥、清潔且不要讓上面出現油漬。握把及其表面濕滑會在意外情況中造成機具無法安全掌控。

維修服務

- ▶ 請將機具交給合格的維修人員進行維修，並使用相同的替代零件。這可確保維護機具安全。

2.2 鎚擊安全警告

所有操作的安全說明

- ▶ 請配戴耳罩。暴露於噪音環境下會導致聽力受損。
- ▶ 請使用機具所提供的輔助握把（如有隨附）。機具失控可能會導致人員受傷。
- ▶ 使用前請確實固定機具。本機具會產生很高的輸出扭力，若未確實固定機具，操作時機具可能會失控而造成人員受傷。
- ▶ 當所進行的工作，其切割配件可能會碰觸到隱藏配線或其自身的電線時，請在操作時握住機具的絕緣握把。與「導電」電線接觸的切割配件可能會導致機具暴露在外金屬零件「導電」，使得操作人員遭受電擊。

使用長鑽頭搭配電鎚鑽的安全操作說明

- ▶ 請務必讓鑽頭尖端在接觸工件的狀態下以低速開始鑽孔。在高速度下，若鑽頭未接觸工件空轉可能會彎曲，造成人員受傷。



- ▶ 施加壓力時必須與鑽頭成一直線，切勿施以過大壓力。鑽頭彎曲會導致鑽頭斷裂或機具失控，造成人員受傷。

2.3 旋轉鎗的其他安全說明

人員安全

- ▶ 請使用狀態良好無瑕疵的產品。
- ▶ 勿嘗試以任何方式改裝機具。
- ▶ 請使用機具輔助握把。機具失控可能導致人員受傷。
- ▶ 若工作包含鑿穿作業，請於工件另一面一併採取適當的防護措施。鑿穿的碎片會掉落和 / 或造成他人受傷。
- ▶ 以雙手握持機具的握把。請保持機具握把清潔和乾燥。
- ▶ 在執行配件工具可能會接觸到隱藏線路之工作時，請以握住絕緣握把的方式手持機具。若配件工具與帶電線路接觸，機具的金屬零件也會通電，而造成觸電的情況。
- ▶ 避免接觸旋轉中零件 - 有受傷的危險！
- ▶ 使用機具時，請穿戴適當的護目鏡、耳罩、防護手套以及輕型呼吸保護器。
- ▶ 請在更換配件時也戴上防護手套。觸摸配件可能會造成受傷（割傷或燙傷）。
- ▶ 穿戴護目鏡。飛散的碎片可能會傷害身體與眼睛。
- ▶ 在開始作業前，請先針對作業時所產生粉塵之危險等級進行確認。使用符合當地粉塵防治條例，且經法定認為保護等級之工業用吸塵器。含鉛塗料、某些木材及含石英之混凝土 / 石材 / 石頭、礦物質或金屬等材料的粉塵均對身體有害。
- ▶ 請確保工作場所有良好通風，必要時，請依會產生的粉塵類型穿戴適合的口罩。操作人員與旁觀者接觸或吸入粉塵可能會引起過敏及 / 或造成呼吸問題或其他疾病。像是橡木與山毛櫸木材的粉塵已列為致癌物質，尤其是當它們使用調濕塗料（鉻酸鹽、木材防腐劑）時。含石棉之材料僅可交由專業人員處理。
- ▶ 請適時休息，並活動您的手指以促進血液循環。長時間暴露在震動下會造成手指、手掌和手腕的血管和神經系統失調。

電力安全

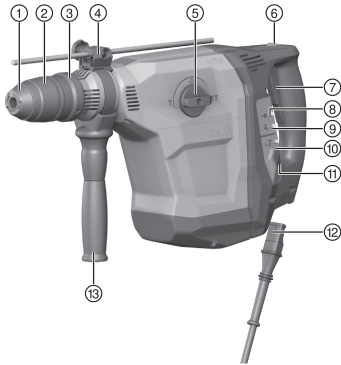
- ▶ 開始工作前，請先檢查工作區域是否有隱藏的電纜線、瓦斯管或水管。若不小心損害電纜線時，機具外部的金屬零件可能會導電而造成電擊的危險。

機具使用與保養

- ▶ 若配件工具卡住時請立即關閉機具。機具可能會絞到線材。
- ▶ 請等候機具完全停止再將其放下。



3.1 產品總覽



- ① 防塵蓋
- ② 夾頭
- ③ 配件工具拆卸裝置
- ④ 深度計 (配件)
- ⑤ 功能選擇開關
- ⑥ 鑿子鎖定裝置
- ⑦ 控制開關
- ⑧ 功能訊號
- ⑨ 維修指示燈
- ⑩ 半功率指示燈
- ⑪ 半功率開關
- ⑫ 含鍵齒、可拆式插頭的電源線
- ⑬ 側向握把

3.2 用途

本文所述產品為具氣動鎚擊機構之電動鑽鑿兩用電鎚鑽。適用於混凝土、石材、木材和金屬。亦可於石材上進行輕至中負載的鑿孔及於混凝土上進行表面拋光作業。

▶ 操作時務必使用符合機具型號識別牌上所標示的電壓及電頻。

3.3 底切安卡

本產品適用於裝設底切安卡。務必使用適當的設定機具。

關於此主題的詳細資訊，您可於當地Hilti中心取得。

3.4 可能發生的誤用

- 本產品不適合用於金屬相關作業。
- 本產品不適合在潮濕環境下作業。

3.5 Active Vibration Reduction

本機具備主動減震 (Active Vibration Reduction (AVR)) 系統，可明顯減少震動。

3.6 主動扭力控制 (ATC)

本產品配備主動扭力控制 (ATC, Active Torque Control) 快速斷電系統。

若配件工具卡住或空轉時，產品會突然朝自身軸的反方向轉動。ATC會偵測到產品突然旋轉的動作，並且立刻關閉產品。



為了讓ATC可以正常運作，產品本身不能旋轉。
在ATC斷電後，請關閉產品再開啟。



3.7 維修指示燈

本產品配備維修指示燈LED。

3.7.1 維修指示燈狀態

狀態	意義
維修指示燈亮起。	維修間隔結束 - 維修日期已到。
維修指示燈閃爍。	請將產品鑰鑿兩用電鏈鑽交付Hilti維修中心進行維修。

3.8 配備及數量

鑰鑿兩用電鏈鑽、側向握把、操作說明。

關於本產品，您可於當地www.hilti.group或網站查詢其他經過認證可搭配使用的系統產品：**Hilti Store**

4 技術資料

4.1 鑰鑿兩用電鏈鑽



關於額定電壓、電流、頻率和輸入功率，請參照機具的特定國家型號識別牌。

如果機具由發電機或變壓器供電，必須至少能提供兩倍於機具額定銘板上標示的額定輸入值電力。發電機或變壓器的操作電壓必須隨時介於機具額定電壓+5%和-15%以內。

重量 (依據EPTA程序01)	10 kg
-----------------	-------

4.2 噪音資訊和震動值 (依據EN 60745)

操作說明中所提供之音壓和震動值已參照標準測量，並可用來比較不同機具之噪音。它們也可作為噪音量的初步評估。提供之資料表示機具主要應用時之數值。若機具應用於不同之用途，搭配不同的配件工具或在保養不良的情況下，其數據會有所不同。在作業過程中，這會大幅提高其噪音量。當機具關閉，或開啟但未進行任何作業時也應列入考量，才能準確評估噪音量。在作業過程中，這會大幅降低其噪音量。確認其他安全措施，以保護操作員不受噪音和 / 或震動影響，例如：保養機具與其配件工具、操作前保持雙手溫暖、作業型式之安排等。

震動值

聲功率級數 (L_{WA})	111 dB(A)
無法判定的聲功率級數 (K_{WA})	3 dB(A)
釋放的音壓級數 (L_{pA})	100 dB(A)
無法判定的音壓級數 (K_{pA})	3 dB(A)

總震動

混凝土鎚擊鑽孔時的震動噪音值 ($a_{h, HD}$)	8.3 m/s ²
鑿孔作業震動噪音值 ($a_{h, Cheq}$)	8 m/s ²
無法判定 (K)	1.5 m/s ²

5 操作

5.1 工作場所的準備工作

注意

有受傷的危險！產品意外啟動。

▶ 在調整機具或變更配件前，請先拔除電源線。

請遵守本文件中與產品上的安全說明和警告。



5.1.1 連接可拆式電源線

注意

有受傷的危險！因接觸髒污的漏電流而造成。

▶ 只有在可拆式電力連接頭乾淨、乾燥且電源線未插入插座時，才能連接到機具。

1. 將含鍵齒、可拆式電子插頭連接頭盡量推入機具中，直到聽見咬合聲。
2. 將電源線插頭插入插座。

5.1.2 拔除可拆式電源線

1. 將電源線插頭自插座拔離。
2. 按下拆卸鈕，然後將含鍵齒、可拆式電子插頭連接頭從插座上拔出。
3. 將電源線連接頭從機具中取出。

5.1.3 安裝側向握把

注意

有受傷的危險！無法掌控鑿兩用電鎚鑽。

▶ 檢查側向握把是否正確安裝且緊固。檢查夾緊帶是否與電動機具溝槽咬合。

1. 旋轉握把以鬆開側向握把夾緊帶。
2. 將側向握把夾緊帶由前方繞過夾頭，然後推入提供的凹槽中。
3. 將側向握把調整至所需的位置。
4. 旋轉握把以鎖緊側向握把夾緊帶。

5.1.4 安裝深度計 (選配)

1. 旋轉握把以鬆開側向握把夾緊帶。
2. 將深度計從前方推入的提供的兩個定位引導孔內。
3. 旋轉握把以鎖緊側向握把夾緊帶。

5.1.5 控制開關鎖



鑿孔時，可將控制開關鎖定在「開啟」的位置。

- ▶ 按下控制開關鎖。

5.1.6 安裝機具



使用不適合的潤滑劑會造成產品損壞。務必使用原廠Hilti潤滑劑。

1. 在配件工具的連接頭稍微上點潤滑劑。
 - ▶ 務必使用原廠Hilti潤滑劑。使用錯誤的油脂會造成機具損壞。
2. 盡可能將配件工具推入夾具內，直到咬合為止。
3. 裝上配件工具後，請將其抓住並拉動以確認是否已咬合至定位。
 - ▶ 產品已可以使用。

5.1.7 卸下配件工具

- ▶ 將夾頭拉回直到移除配件工具為止。



務必使用原廠Hilti潤滑劑。使用不適合的潤滑劑會造成產品損壞。

5.1.8 設定功率級數



僅在機具開啟且可以使用時才能設定功率。

要將機具設定成半功率，請按下「半功率」按鈕。功率指示燈亮起表示目前正在省電狀態。再按一次「半功率」按鈕切換回全功率。功率指示燈熄滅。

關閉產品後再開啟會重新設定為全功率。



- ▶ 設定功率級數。

5.2 工作類型

警告

觸電風險！ 若操作沒有接地導線及未正確連接漏電斷路器的機具，會造成人員嚴重傷害或灼傷。

- ▶ 不論使用的主電源或發電機功率為何，請務必確認已正確連接適當的接地導線且電源已安裝漏電斷路器。
- ▶ 除非上述安全措施已確實安裝且正常運作，否則不得使用本產品。

警告

受損的電源線會造成危險！ 若電源線或延長線在工作進行時受損，請立刻將裝置和電纜線自電源供應處拔除。請勿碰觸受損的電纜線。

- ▶ 定期檢查所有的電源線。並更換受損的延長線。

開始進行作業前，須得到現場工程師或建築師的完整許可。

5.2.1 無鎚擊鑽孔



使用含特殊連接頭之鑽頭時，可進行無鎚擊鑽孔作業。Hilti機具系列可提供此種工具。

例如，若安裝一體設計快拆式夾頭，即可於木頭或不鏽鋼上使用連接平滑柄的鑽頭進行無鎚擊鑽孔作業。

- ▶ 將功能選擇開關設定至 位置。

5.2.2 以鎚擊動作進行鑽孔 (鎚擊鑽孔)

- ▶ 將功能選擇開關設定至 位置。

5.2.3 鑿子定位

注意

有受傷的危險！ 無法掌控鑿子方向。

- ▶ 當選擇開關設定為「鑿子定位」時，請勿操作機具。將功能選擇開關轉到「鑿孔」位置。



鑿子可設定在24段不同檔位（每15°一段）。這可確保扁鑿和各形狀鑿子可以設定在最佳操作位置。

- ▶ 將功能選擇開關設定至 位置。

5.2.4 鑿孔

- ▶ 將功能選擇開關設定至 位置。

6 維護和保養

警告

觸電危險！ 電源線仍連接到電源插座時進行維護和保養會造成嚴重的傷害或灼傷。

- ▶ 進行維護及保養前，請務必拔下電源線。

注意

- 小心地清除可能附著在零件上的灰塵。
- 請使用乾燥的刷子小心清潔通風口。
- 僅能使用微濕軟布清潔外殼。勿使用含硅樹脂的清潔或亮光劑，因為可能會造成塑膠零件損壞。

維護

警告

電擊的風險！ 損壞的電子零件會造成嚴重的人員傷害及灼傷。

- ▶ 機具或設備電力部分的維修僅可交由訓練過的電力專員處理。
- 定期檢查外部零件和控制元件有無損壞跡象，並確認它們運作正常。



- 如果有損壞跡象或任何零件功能故障，請不要操作本產品。請立即交由Hilti維修中心維修。
- 清潔及保養後，裝上所有防護套或保護裝置並檢查功能是否正常。

為確保操作的安全及可靠性，請務必使用原廠Hilti備件與耗材。您可以在 **Hilti Store** 或網站：選購Hilti認可的備件、耗材和配件。 www.hilti.group

6.1 清潔防塵套

- ▶ 定期使用乾燥而清潔的布清潔夾頭上的防塵套。
- ▶ 請小心擦拭清潔其密封口，然後再稍微上Hilti潤滑油。
- ▶ 請特別注意，若密封口受到損壞，一定要更換防塵套。

7 搬運和貯放

- 搬運電子機具時請勿安裝配件。
- 貯放電子機具或設備前請務必將電源線拔掉。
- 請將工具與設備貯放在乾燥且兒童或未授權的人員無法觸及的地點。
- 長時間搬運與貯放後請檢查電子機具或設備是否有損壞。

8 故障排除

若您遇到未列出的問題或是無法自行排除的問題，請聯絡Hilti維修中心。

8.1 故障排除

故障	可能原因	解決方法
產品無法啟動。	電源供應中斷。	▶ 將插頭插入另一電子機具或電器並檢查是否可啟動。
	發電機處於睡眠模式。	▶ 連接第二個電力消耗裝置（例如工作燈）至發電機上。然後將產品先關閉再開啟。
	電源中斷後電子重新啟動聯鎖裝置啟用。	▶ 將產品先關閉再開啟。
	可拆式電源線未正確安裝。	▶ 將可拆式電源線確實連上機具。
	碳刷磨損。	▶ 送交經訓練電力專員檢查，必要時予以更換。
無鎚鑽作業。	產品過冷。	▶ 緩慢並小心的將產品與工作表面接觸，開啟並讓其以怠速運轉。如果需要，請重複此程序直到鎚擊機制開始運作。
產品無法達到全功率。	延長線太長或導體截面積不足。	▶ 使用經認可的延長線及 / 或適當的截面積。
	未完全按下控制開關。	▶ 按壓控制開關直到可以運轉為止。
	電源供應電壓過低。 半功率按鈕已按下。	▶ 連接產品至不同的電源。 ▶ 按下「半功率」按鈕。
鑽頭無法旋轉。	功能選擇開關未啟用或在「鑿孔」 T 或「鑿位調整」位置 \rightarrow 。	▶ 馬達停止時，將功能選擇開關設定至「鎚擊鑽孔」 T 位置。
鑽頭無法鬆開。	夾頭未完全拉回。	▶ 將夾頭拉回直到移除配件工具為止。
	側向握把未正確安裝。	▶ 鬆開側向握把並重新安裝，讓夾緊帶與側向握把咬合在凹槽中。
若鑽頭卡住，產品會關閉。	電子式安全開關已跳閘，以避免進一步卡住。	▶ 鬆開鑽頭。
維修指示燈閃爍。	產品故障。	▶ 請將產品交付Hilti維修中心進行維修。



故障	可能原因	解決方法
維修指示燈亮起。	碳刷磨損。	▶ 送交經訓練電力專員檢查，必要時予以更換。

9 廢棄設備處置

Hilti 機具或設備所採用的材料大部分均可回收再利用。材料在回收前必須正確地分類。在許多國家中，您可以將舊機具及設備送回 Hilti 進行回收。詳情請洽 Hilti 維修中心，或當地 Hilti 代理商。



- ▶ 請勿將機具、電子設備或電池當作一般家用廢棄物處理！

10 RoHS (有害物質限制指令)

按一下本連結可前往危險物質表：qr.hilti.com/r6851673。
您可在文件最後找到 QR 碼格式的 RoHS 表連結。

11 製造商保固

- ▶ 如果您對於保固條件有任何問題，請聯絡當地 Hilti 代理商。

Hilti Taiwan Co., Ltd.

4/F, No. 2 Jen Ai Road, Sec. 2, Taipei, 10060 Taiwan

Tel. +886 2 2357 9090

原版操作说明

1 文档信息

1.1 关于该文档

- 首次操作或使用前，请先阅读本文档。这是安全、无故障地操作和使用产品的前提条件。
- 请遵守本文档中以及产品上的安全说明和警告。
- 请务必将本操作说明与本产品保存在一起，确保将操作说明随产品一起交给他人。

1.2 符号说明

1.2.1 警告

警告是为了提醒您在处理或使用此产品时会发生的危险。使用以下信号词：



危险！

- ▶ 用于让人们能够注意到会导致严重身体伤害或致命的迫近危险。



警告！

- ▶ 用于提醒人们注意可能导致严重或致命伤害的潜在危险。



小心！

- ▶ 用于提醒人们注意可能造成人身伤害、设备损坏或其他财产损失的潜在危险情况。

1.2.2 文档中的符号

本文档中使用下列符号：



请在使用之前阅读操作说明。



2244433

	使用说明和其他有用信息
	处理可回收材料
	不得将电气设备和电池作为生活垃圾处置

1.2.3 图示中的符号

图示中使用了下列符号：

	这些编号指本操作说明开始处的相应图示。
3	图示中的编号反映操作顺序，可能与文本中描述的步骤不同。
	位置编号被用于概览图中并表示产品概览段落中的图例编号。
	这些符号旨在提醒您在操作本产品时要特别注意的某些要点。
	使用本工具时，戴上防护手套。

1.3 与产品相关的符号

1.3.1 产品使用的符号

产品使用的符号如下：

V	伏特
A	安培
Hz	赫兹
/min	每分钟转数
RPM	每分钟转数
∅	直径
~	交流电
	保护等级 II (双重绝缘)
	本产品支持无线数据传输，兼容 iOS 和 Android 平台。

1.4 产品信息

产品设计适用于专业用户，只有经过专门训练的授权人员才允许操作、维修和维护本产品。必须将任何可能的危险专门告知该人员。不按照既定用途使用或由未经培训的人员不正确地使用本产品及其辅助设备可能会带来危险。

型号名称和序列号印在铭牌上。

- 在下表中填写序列号。在联系 Hilti 维修中心或当地 Hilti 机构询问产品时，将要求您提供产品的详细信息。

产品信息

组合锤	TE 70-ATC/AVR
分代号	04
序列号	



1.5 符合性声明

按照我们单方面的责任，我们声明本产品符合下列适用指令和标准：一致性声明副本位于本文档结尾处。技术文档在此处归档：

Hilti Entwicklungsgesellschaft mbH | Tool Certification | Hiltistrasse 6 | 86916 Kaufering, Germany

2 安全

2.1 一般电动工具安全警告

⚠ 警告 请阅读本电动工具随附的所有安全警告、说明、图示和技术规范。不遵守下列所有操作说明可能会导致电击、火灾和/或严重人身伤害。

请保存所有安全警告和操作说明，以供将来参考。

在所有下列的警告中术语“电动工具”指市电驱动(有线)电动工具或电池驱动(无线)电动工具。

工作区域安全

- ▶ 保持工作区域清洁和良好照明。杂乱和黑暗的区域容易导致事故。
- ▶ 不要在爆炸性环境中操作电动工具，例如有易燃液体、气体或灰尘。电动工具会产生可以点燃这些灰尘或烟雾的火花。
- ▶ 在操作电动工具时，要令儿童和旁观者远离工作现场。万一分心，可能会使您失去对电动工具的控制。

电气安全

- ▶ 电动工具(设备)插头必须匹配电源插座。切勿以任何方式改动插头。对于接地的电动工具(设备)，不要使用任何适配器插头。使用未经改动的插头和匹配的电源插座可以大大减少电击危险。
- ▶ 避免人体接触接地表面，如管道、散热片和冰箱。如果您的身体接地，则会增加电击危险。
- ▶ 不要将电动工具暴露在雨水或潮湿环境中。电动工具进水将会增加电击危险。
- ▶ 不要滥用电缆。切勿使用电缆运送、拉动或拔出电动工具。保持电缆远离高温、油、锋利边缘或运动部件。电缆损坏或缠绕会增加电击危险。
- ▶ 当在户外操作电动工具时，应使用经认可适合户外操作的加长电缆。使用适合户外使用的电缆可减少电击危险。
- ▶ 如果在潮湿环境下操作电动工具是不可避免的，应使用剩余电流动作保护器(RCD)。使用RCD可减小电击危险。

人身安全

- ▶ 保持警觉，注意您正在进行的工作，并在操作电动工具的过程中，应利用自己的判断能力。当您疲劳或受到药物、酒精或医疗影响时，请不要使用电动工具。当操作电动工具时，瞬间的分心都可能导致严重的人身伤害。
- ▶ 使用个人防护装备。一定要戴上护目装置。安全装置，诸如适当条件下使用防尘面具、防滑安全鞋、安全帽、听力防护等装置能减少人身伤害。
- ▶ 防止电动工具意外启动。在连接至电源和/或电池组、拿起或搬运电动工具之前，应确保开关处于“关闭”位置。将手指放在开关上搬运电动工具或在开关处于“打开”位置时接通电源，都可能会导致事故发生。
- ▶ 在打开电动工具之前，必须拿掉任何调整键或扳手。让扳手或调整键留在电动工具的旋转部件上可能会导致人身伤害。
- ▶ 不要操之过急。应时刻保持正确的站姿和平衡。这在意外情况下能够更好地控制电动工具。
- ▶ 应确保正确着装。不要穿着松垮的衣服或佩戴首饰。让头发和衣服远离运动部件。松垮的衣服、首饰或长发发卡会在运动部件中。
- ▶ 如果提供有助于连接除尘和集尘设施的装置，应确保将它们连接好并正确使用。使用除尘装置可以减少与灰尘相关的危险。
- ▶ 经常使用工具能令您获得较高的熟练度，但不能因此掉以轻心和忽视工具安全准则。一次不慎操作就会在瞬间导致重伤。

电动工具的使用和维护

- ▶ 不要强制使用电动工具。针对您的应用场合使用正确的电动工具。正确的电动工具在其额定设计值范围内将能够更好和更安全地工作。
- ▶ 如果通过开关不能使其打开和关闭，则请不要使用电动工具。任何不能通过开关进行控制的电动工具都是危险的，必须对其进行修理。
- ▶ 在进行任何调整、更换配件或存放电动工具之前，应从电源上断开插头和/或从电动工具上拆下电池组(若可拆卸)。此预防性安全措施可减少意外启动电动工具的危险。
- ▶ 将不用的电动工具存放在儿童拿不到的地方，并且不要让不熟悉电动工具或其操作说明的人员操作电动工具。未经培训的用户操作电动工具是危险的。
- ▶ 维护电动工具和配件。检查是否存在运动部件失调或卡滞、部件断裂和任何其它影响电动工具操作的情况。如果存在损坏，则在使用之前应修理电动工具。许多事故都是由于电动工具维护不良造成的。
- ▶ 保持切削工具锋利和清洁。带锋利切削刃的切削工具如果维护得当，很少会发生卡滞且更容易控制。



- ▶ 按照使用说明书，考虑作业条件和进行的作业来使用电动工具、附件和工具的头刀等。将电动工具用于指定用途以外的场合会导致危险。
- ▶ 使手柄和抓握面保持干燥、清洁且没有油脂。如果手柄和抓握面打滑，将无法在意外情况下安全操作或控制本工具。

保养

- ▶ 将你的电动工具送交专业维修人员，使用同样的备件进行修理。这样才能可确保维持电动工具(设备)的安全性。

2.2 锤钻安全警告

所有操作的安全说明

- ▶ 戴上护耳装置。如果直接暴露在噪音中，则可能会导致听力受损。
- ▶ 应总是使用辅助手柄(若随工具提供)。对工具失去控制可能会导致人身伤害。
- ▶ 使用前必须正确地支撑工具。本工具会产生很高的输出扭矩，如果在操作过程中没有正确支撑工具，则工具可能会失去控制，进而导致人员受伤。
- ▶ 当执行切削配件可能接触到隐藏线束或电动工具自带电缆的操作时，应确保只能通过绝缘把手表面握住电动工具。如果切削配件接触“带电”导线，则会使电动工具的裸露金属部件“带电”，从而可能会电击到操作者。

将长钻头与旋转锤钻组合使用时的安全说明

- ▶ 始终以低转速开始钻孔，并使钻头尖端与工件接触。否则，如果让钻头在不接触工件的情况下任意旋转，则钻头极易发生弯曲，进而导致人员受伤。
- ▶ 施力方向应与钻头保持在同一直线上，注意不得施力过度。否则，钻头会发生弯曲，导致工具损坏或失去控制，进而造成人员受伤。

2.3 旋转电锤的附加安全说明

人身安全

- ▶ 只有产品处于良好的技术状态时才能使用。
- ▶ 切勿试图以任何方式篡改或改造电动工具。
- ▶ 应使用随工具提供的辅助把手。对工具失去控制可能会导致人身伤害。
- ▶ 在需要穿透的待加工工件的对侧采取适当的安全措施。被钻下的工件部分可能会弹出或掉落并伤害到其他人员。
- ▶ 请务必用双手通过提供的把手握住电动工具。保持把手清洁干燥。
- ▶ 配套工具可能会接触到隐藏的线束，工作时应握住电动工具绝缘把手表面。如果配套工具接触到带电电线，电动工具的金属部件也将带电，从而导致电击。
- ▶ 避免接触旋转零件 - 人身伤害的危险！
- ▶ 使用电动工具时，必须佩戴适当的护目镜、安全帽、护耳装置、防护手套和轻型呼吸防护装置。
- ▶ 更换配件工具时，戴上防护手套。触摸配套工具会带来伤害风险(割伤或烫伤)。
- ▶ 请戴上护目装置。飞溅的碎片有导致身体和眼睛受伤的风险。
- ▶ 在开始工作之前，应测定工作时会产生的粉尘的危险等级。使用具有官方认可防护等级的工业真空吸尘器，并遵守当地适用的粉尘防护规定。一些材料产生的粉尘(例如含铅油漆、某些类型的木材以及含有石英、矿物或金属的混凝土/砖石/石块)可能对人体健康有害。
- ▶ 确保工作场所通风良好，必要时佩戴适用于产生的粉尘类型的呼吸器。接触或吸入这些粉尘可能会导致操作者或旁观者出现过敏反应和/或呼吸疾病或其他疾病。某些种类的粉尘还属于致癌物质，例如橡木和山毛榉粉尘，特别是在带木材调节添加剂(铬酸盐、木材防腐剂)时。仅允许专业人员处理包含石棉的材料。
- ▶ 抽出时间休息并做体育锻炼，改善手指的血液循环状况。工作期间长时间暴露于振动环境可能导致手指、手掌和手腕部位血管和神经系统紊乱。

电气安全

- ▶ 开始工作之前，检查工作区域是否有隐蔽的电缆或天然气和水管。如果您意外损坏了电缆，电动工具的外部金属部件可能带电，带来电击风险。

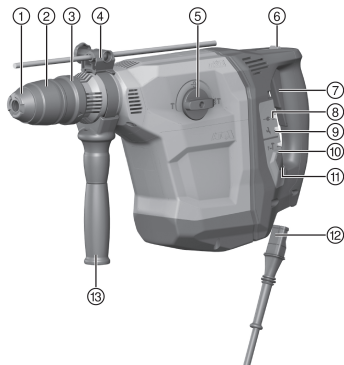
电动工具的使用和维护

- ▶ 如果配套工具卡住，应立即关闭电动工具。电动工具可能会抱死。
- ▶ 直至电动工具完全停止才可将其放下。



3 说明

3.1 产品概述



- ① 防尘罩
- ② 夹头
- ③ 配套工具释放
- ④ 深度计 (配件)
- ⑤ 功能选择开关
- ⑥ 凿子锁定装置
- ⑦ 控制开关
- ⑧ 功能信号
- ⑨ 维护指示灯
- ⑩ 半功率指示灯
- ⑪ 半功率开关
- ⑫ 带键控可拆式插头的电源线
- ⑬ 侧面手柄

3.2 预期用途

所述的产品是一款带气动锤击机构的电动组合锤。其设计用于在混凝土、砖石建筑、木材和金属中钻孔。本产品也可用于砖石建筑上的轻型到中等负荷凿边作业以及混凝土表面的修整工作。

▶ 只有当相连电源的电压和频率符合电动工具标牌上的给定信息时，才能操作本电动工具。

3.3 扩孔型锚栓

本产品适用于安装扩孔型锚栓。请仅使用适当的安装工具。

您当地的 Hilti 中心可为您提供有关该主题的详细信息。

3.4 可能的误用

- 该产品不适用于加工危险材料。
- 该产品不适用于在潮湿环境下工作。

3.5 Active Vibration Reduction

本工具配备有 Active Vibration Reduction (AVR) 系统，能够显著减小振动。

3.6 ATC

本产品配备 ATC (Active Torque Control) 快速电子切断装置。

若配套工具粘住或停止，本产品将会突然以相反的方向围绕自身轴线旋转。ATC 可探测到产品的突然旋转运动，并立即关闭产品。



为了 ATC 正常工作，产品必须可自由旋转。
执行 ATC 切断后，先关闭然后再开启产品。



3.7 维护指示灯

产品配备了一个维护指示灯 LED。

3.7.1 维护指示灯状态

状态	含义
维护指示灯显示。	维护间隔周期结束 - 到了该进行维护的时候。
维护指示灯闪烁。	将组合锤交由 Hilti 维修中心修复。


3.8 供货提供的部件：

组合锤、侧面手柄、操作说明。

经批准可以与本产品搭配使用的其它系统产品，可以在您当地的 www.hilti.group 购买或访问 **Hilti Store** 在线订购

4 技术数据

4.1 组合锤

 有关额定电压、频率、电流和输入功率的详细信息，请参见各国特定的电动工具铭牌。
当通过发电机或变压器为电动工具供电时，发电机或变压器的输出功率必须至少达到本电动工具铭牌上显示的额定输入功率的两倍。变压器或发电机的工作电压必须始终保持在工具额定电压 +5% 和 -15% 的范围内。

重量 (按照 EPTA 程序 01)	10 kg
--------------------	-------

4.2 噪音信息和振动值按照 EN 60745 标准

这些说明中给出的声压和振动值按照标准化测试的要求测得，可用于比较一种电动工具与另一种电动工具。它们还可用于初步评价受振动影响的程度。提供的数据代表本电动工具的主要应用。但是，如果将电动工具用于不同的应用、使用不同的配件工具或维护不良，则数据可能不同。这可能会显著增加操作者在整个工作期间受振动影响的程度。对受振动影响程度的准确估计还应考虑当关闭电动工具或当它运行但实际未进行工作时的工作情况。这可能会显著减小操作者在整个工作期间受振动影响的程度。此外，应确定附加安全措施，以保护操作者免受噪音和/或振动影响，例如：正确维护电动工具和配套工具、保持双手温暖、合理安排工作方式。

噪声排放值

声功率级 (L_{WA})	111 dB(A)
声功率级的不确定性 (K_{WA})	3 dB(A)
排放声压级 (L_{pA})	100 dB(A)
声压级的不确定性 (K_{pA})	3 dB(A)

总振动量

在混凝土中锤击钻孔的振动发射值 ($a_{h, HD}$)	8.3 m/s^2
凿边的振动发射值 ($a_{h, Cheq}$)	8 m/s^2
不确定性 (K)	1.5 m/s^2

5 操作

5.1 工作现场的准备工作

 -小心-

人身伤害的危险！产品意外启动。

▶ 对电动工具进行任何调节前或更换配件前，先拔出电源线插头。

请遵守本文档中以及产品上的安全说明和警告。



5.1.1 连接可拆卸电源线



人身伤害的危险！触点变脏可能导致漏电！

▶ 只有当可拆卸插头清洁、干燥且电源线从插座内拔出时，才能将可拆卸插头插入电动工具中。

1. 将可拆卸式键控电插头在工具中插到底，直到听到其接合的声音。
2. 将电源线插头插入电源插座。

5.1.2 断开可拆卸电源线

1. 从电源插座上拔掉电源线插头。
2. 按下释放按钮，从插座中拔出带钥匙的可拆卸式电插头。
3. 从电动工具上拉出电源线插头。

5.1.3 安装侧面手柄 2



人身伤害的危险！失去对组合锤的控制。

▶ 检查并确认侧面手柄已正确安装和可靠固定。检查并确认夹紧带已接合到工具上提供的凹槽中。

1. 通过转动手柄握柄释放侧面手柄夹紧带。
2. 将侧面手柄夹紧带越过夹头从前面滑入提供的凹槽中。
3. 将侧面手柄设置至预期位置。
4. 通过转动手柄握柄紧固侧面手柄夹紧带。

5.1.4 安装深度计 (选装) 3

1. 通过转动手柄握柄释放侧面手柄夹紧带。
2. 将深度计从前面滑入提供的两个导向孔中。
3. 通过转动手柄握柄紧固侧面手柄夹紧带。

5.1.5 控制开关锁



当凿边时，可以将控制开关锁止在“On”（打开）位置。

- ▶ 按下控制开关锁。

5.1.6 插入工具 4



使用不合适的润滑脂会损坏本产品。只能使用原装 Hilti 润滑脂。

1. 稍稍润滑配套工具的连接端。
 - ▶ 只能使用原装 Hilti 润滑脂。使用错误的润滑脂可能会导致产品损坏。
2. 将配件工具推入夹头中并推到底（直至它接合）。
3. 安装配套工具后，请务必握住并拉动它，确认其已可靠接合。
 - ▶ 本产品处于备用状态。

5.1.7 拆卸配件工具 5

- ▶ 向后拉动夹头，直到拉不动为止，然后拆下配件工具。



只能使用原装 Hilti 润滑脂。使用不合适的润滑脂会损坏本产品。

5.1.8 设置功率级



仅当工具已打开且做好使用准备时，才可设置功率。

要将工具设置为半功率，按下“半功率”按钮。功率指示灯亮起指示降低了功率。再次按下“半功率”按钮切换至全功率。功率指示灯熄灭。

关闭产品然后再次打开，以将其恢复为全功率。



- ▶ 设置功率级。

5.2 工作类型

-警告-

电击风险！ 如果试图在不带接地导线以及未正确连接接地故障断路器的情况下操作工具，则会导致严重受伤和烫伤。

- ▶ 不论使用的是主电源还是发电机电源，应始终确保电源中带有接地导线且已正确连接接地故障断路器。
- ▶ 除非这些安全措施到位且完全起作用，否则请勿使用本产品。


-警告-

损坏的电源线会构成危险！ 如果电源线或加长电缆在作业过程中损坏，应立即从电源上断开设备和电缆。不得触碰电缆的受损部分。


- ▶ 定期检查所有电源线。更换损坏的加长电缆。

在开始工作之前，必须获得现场工程师或建筑师的完全批准。


5.2.1 不带锤击作用的钻孔

 当使用带特殊连接端的钻头时，可以进行不带锤击作用的钻孔。Hilti 工具系列提供此类工具。

例如，当安装无键快速释放夹头时，可以使用带适用于木材或钢的平滑刀柄的钻头进行不带锤击作用的钻孔。

- ▶ 将功能选择开关设置至  位置。

5.2.2 通过锤击作用钻孔 (锤击钻孔)


- ▶ 将功能选择开关设置至  位置。

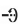
5.2.3 凿子定位

-小心-


人身伤害的危险！ 失去对凿子方向的控制。

- ▶ 当选择开关被设置到“凿子定位”位置时，不要操作工具。将功能选择开关转到“凿边”位置。

 可以将凿子设置至 24 个不同位置 (以 15° 为增量)。这样可确保总是可以将平头和成形凿子设置到最佳工作位置。

- ▶ 将功能选择开关设置至  位置。

5.2.4 凿边

- ▶ 将功能选择开关设置至  位置。

6 维护和保养

-警告-

电击危险！ 如果试图在电源线连接电源插座的情况下执行保养和维护，则会导致严重受伤和烫伤。

- ▶ 执行维护和保养任务之前，请务必拔下电源线。

保养

- 仔细清除可能粘附在部件上的所有污垢。
- 使用干燥的刷子小心清洁通风孔。
- 请仅使用略湿的布清洁壳体。不要使用含硅清洁剂，否则可能腐蚀塑料件。

维护

-警告-

电击危险！ 电气部件的不当维修会造成包括灼伤在内的严重人身伤害。

- ▶ 工具或设备的电气系统只能由受过培训的电气专业人员进行维修。



- 定期检查所有可见部件和控制器是否出现损坏迹象，确保其全部正常工作。
- 如果发现损坏迹象或如果有部件发生故障，不要操作本产品。应立即送交 **Hilti** 维修中心进行维修。
- 清洁和维护之后，安装所有防护罩或保护装置，检查并确认其正常工作。

i 为确保安全和可靠的操作，仅限使用喜利得原装备件和消耗品。Hilti 批准用于配合产品使用的备件、消耗品和配件可到您当地的 **Hilti Store** 购买或通过以下网址在线订购：www.hilti.group。

6.1 清洁防尘罩

- ▶ 使用干燥、干净的抹布定期清洁夹头上的防尘罩。
- ▶ 小心地擦拭密封唇以对其进行清洁，然后再次用 **Hilti** 润滑脂轻轻地对其进行润滑。
- ▶ 当密封唇损坏时，必须更换防尘罩。

7 运输和存放

- 运输电动工具时不得安装配套工具。
- 储存电动工具或设备之前，必须拔掉电源线。
- 将工具和设备存放在儿童或非授权人员无法接近的干燥位置。
- 经过长时间的运输或储存后，检查电动工具或设备是否损坏。

8 故障排除

如果您碰到的问题未在此表中列出或您无法自己实施补救措施，请联系 **Hilti** 服务部门。


8.1 故障排除

故障	可能原因	解决方案
产品不启动。	电源中断。	▶ 接上另一电动工具或设备并检查它是否工作。
	发电机处于睡眠模式。	▶ 通过连接另一个耗电产品（例如，工作灯）给发电机施加负载。随后，关闭产品然后再次打开。
	在电源中断之后电子重新启动联锁装置启动。	▶ 关闭产品然后再次打开。
	可拆卸电源线没有正确连接。	▶ 将可拆卸电源线正确连接至电动工具。
	碳刷磨损。	▶ 让经过培训的电气专业人员进行检查，必要时进行更换。
没有锤击作用。	产品过冷。	▶ 使产品与工作面相接触，将其打开并空转。必要时，重复该步骤，直到锤击机构开始工作。
产品不能达到全功率。	加长电缆太长或导线截面积不够。	▶ 使用具有许可长度和/或足够导线截面积的加长电缆。
	没有完全按下控制开关。	▶ 尽可能按下控制开关。
	电源提供的电压太低。	▶ 将产品连接到其它合适的电源。
	半功率按钮接合。	▶ 按下“半功率”按钮。
钻头不旋转。	功能选择开关没有接合或处于“凿边”位置 T 或“凿子调整”位置 → 。	▶ 当电机停止时，将功能选择开关设置到“锤击钻孔”位置 ⚡ 。
钻头无法释放。	夹头未完全向后拉回。	▶ 向后拉动夹头，直到拉不动为止，然后拆下配套工具。
	侧面手柄未正确安装。	▶ 释放侧面手柄，然后正确地重新安装，使夹紧带和侧面手柄接合在凹槽中。
产品在钻头卡住的情况下关闭。	电子安全关闭机构已脱扣，以避免进一步卡滞。	▶ 释放钻头。



故障	可能原因	解决方案
维护指示灯闪烁。	本产品有故障。	▶ 将本产品交由 Hilti 维修中心修复。
维护指示灯显示。	碳刷磨损。	▶ 让经过培训的电气专业人员进行检查，必要时进行更换。

9 废弃处置

 大部分用于 Hilti 工具和设备生产的材料是可回收利用的。在可以回收之前，必须正确分离材料。在很多国家，您的旧工具、机器或设备可送至 Hilti 进行回收。敬请联系 Hilti 服务部门或您的喜利得公司代表获得更多信息。



- ▶ 不得将电动工具、电子设备或电池作为生活垃圾处置！

10 RoHS (有害物质限制)

单击链接跳转到有害物质表：qr.hilti.com/r6851673。
文档末尾以二维码形式提供指向 RoHS 表的链接。

11 制造商保修

- ▶ 如果您有保修条件方面的问题，请联系您当地的 Hilti 公司代表。





Hilti Corporation
Feldkircherstraße 100
9494 Schaan | Liechtenstein

TE 70-ATC/AVR (04)

[2019]

2006/42/EC

EN 60745-1

2011/65/EU

EN 60745-2-6

2014/30/EU

EN 55014-1:2017

2000/14/EC

EN 55014-2:2015

EN 61000-3-2:2014

EN 61000-3-3:2013

Schaan, 22.01.2020

Paolo Luccini

Head of Quality and Process Management
BA Electric Tools & Accessories

Tassilo Deinzer

Executive Vice President
Business Unit Power Tools & Accessories



TE 70-ATC/AVR



Hilti Corporation
LI-9494 Schaan
Tel.:+423 234 21 11
Fax:+423 234 29 65
www.hilti.group



2244433