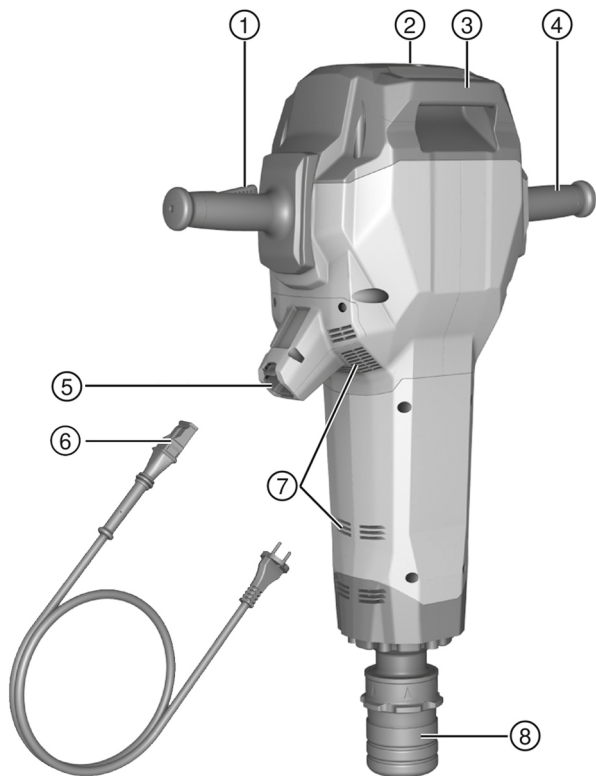


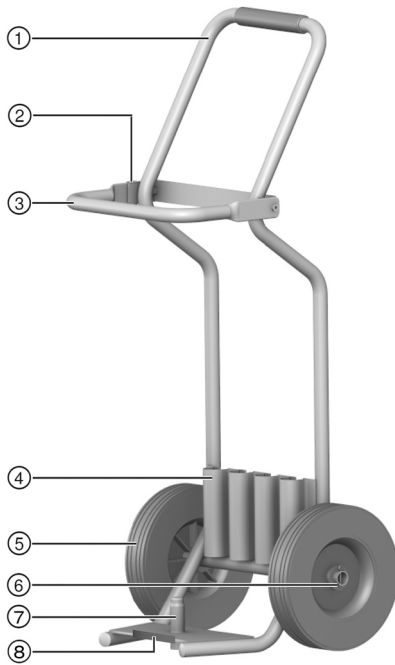


TE 3000-AVR

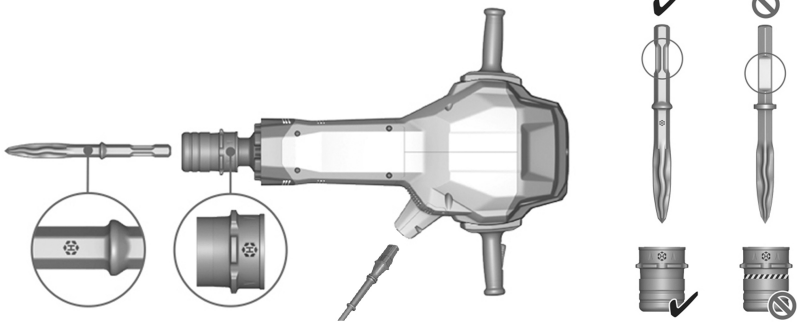
English	1
Français	11
Dansk	22
Svenska	33
Norsk	43
Suomi	53
Eesti	63
Latviešu	73
Lietuvių	84
Русский	94
Українська	106
Қазақ	118
Türkçe	130
عربي	141
日本語	152
한국어	162
繁體中文	172
中文	181



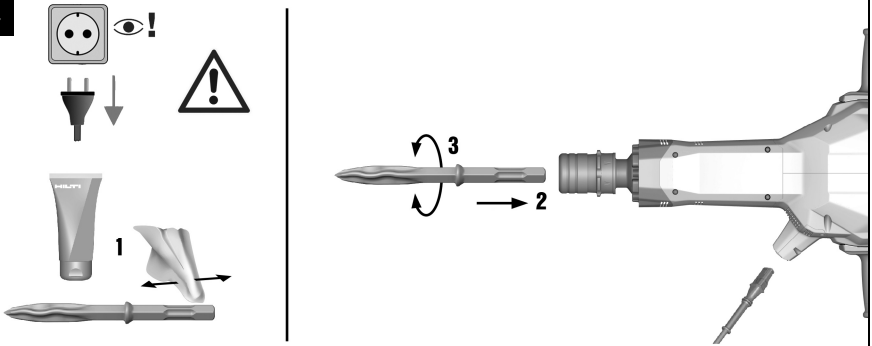
2



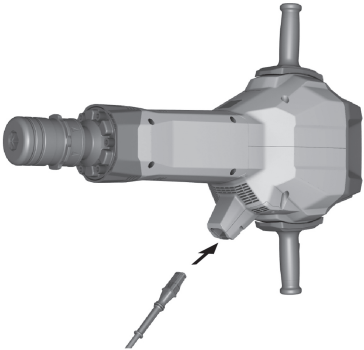
3



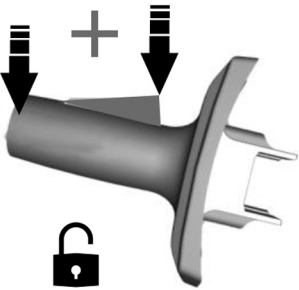
4



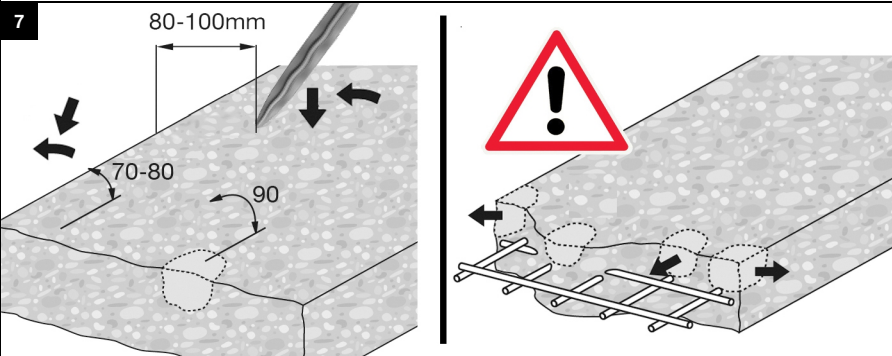
5



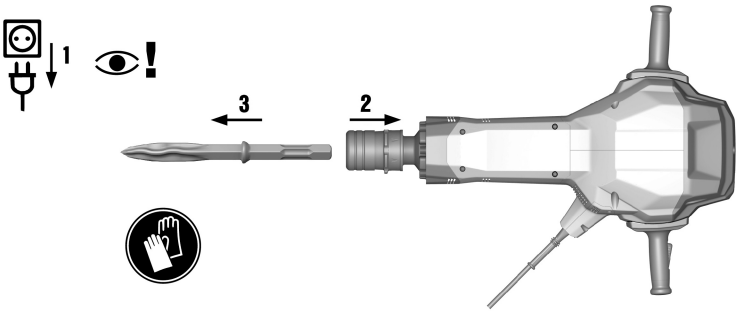
6



7



8



TE 3000-AVR

en	Original operating instructions	1
fr	Mode d'emploi original	11
da	Original brugsanvisning	22
sv	Originalbruksanvisning	33
no	Original bruksanvisning	43
fi	Alkuperäiset ohjeet	53
et	Originaalkasutusjuhend	63
lv	Originālā lietošanas instrukcija	73
lt	Originali naudojimo instrukcija	84
ru	Перевод оригинального руководства по эксплуатации	94
uk	Оригінальна інструкція з експлуатації	106
kk	Түпнұсқа пайдалану бойынша нұсқаулық	118
tr	Orijinal kullanım kılavuzu	130
ar	دليل الاستعمال الأصلي	141
ja	オリジナル取扱説明書	152
ko	오리지널 사용 설명서	162
zh	原始操作說明	172
cn	原版操作说明	181

Original operating instructions

1 Information about the documentation

1.1 About this documentation

- Read this documentation before initial operation or use. This is a prerequisite for safe, trouble-free handling and use of the product.
- Observe the safety instructions and warnings in this documentation and on the product.
- Always keep the operating instructions with the product and make sure that the operating instructions are with the product when it is given to other persons.

1.2 Explanation of symbols used

1.2.1 Warnings

Warnings alert persons to hazards that occur when handling or using the product. The following signal words are used:

DANGER

DANGER !

- ▶ Draws attention to imminent danger that will lead to serious personal injury or fatality.

WARNING

WARNING !

- ▶ Draws attention to a potential threat of danger that can lead to serious injury or fatality.

CAUTION

CAUTION !

- ▶ Draws attention to a potentially dangerous situation that could lead to personal injury or damage to the equipment or other property.

1.2.2 Symbols in the documentation

The following symbols are used in this document:

	Read the operating instructions before use.
	Instructions for use and other useful information
	Dealing with recyclable materials
	Do not dispose of electric equipment and batteries as household waste

1.2.3 Symbols in the illustrations

The following symbols are used in illustrations:

	These numbers refer to the corresponding illustrations found at the beginning of these operating instructions
	The numbering reflects the sequence of operations shown in the illustrations and may deviate from the steps described in the text
	Item reference numbers are used in the overview illustrations and refer to the numbers used in the product overview section
	This symbol is intended to draw special attention to certain points when handling the product.



1.3 Symbols on the product

1.3.1 Symbols on the product

The following symbols can be used on the product:

	Protection class II (double-insulated)
	Transport by crane is not permissible
	Wireless data transfer

1.4 Product information

products are designed for professional users and only trained, authorized personnel are permitted to operate, service and maintain the products. This personnel must be specifically informed about the possible hazards. The product and its ancillary equipment can present hazards if used incorrectly by untrained personnel or if used not in accordance with the intended use.

The type designation and serial number are printed on the rating plate.

- ▶ Write down the serial number in the table below. You will be required to state the product details when contacting Hilti Service or your local Hilti organization to inquire about the product.

Product information

Breaker	TE 3000-AVR
Generation	03
Serial no.	

1.5 Declaration of conformity

We declare, on our sole responsibility, that the product described here complies with the applicable directives and standards. A copy of the declaration of conformity can be found at the end of this documentation.

The technical documentation is filed here:

Hilti Entwicklungsgesellschaft mbH | Tool Certification | Hiltistrasse 6 | 86916 Kaufering, Germany

2 Safety

2.1 General power tool safety warnings

⚠ WARNING Read all safety warnings, instructions, illustrations and specifications provided with this power tool. Failure to follow all instructions listed below may result in electric shock, fire and/or serious injury. **Save all warnings and instructions for future reference.**

The term "power tool" in the warnings refers to your mains-operated (corded) power tool or battery-operated (cordless) power tool.

Work area safety

- ▶ **Keep work area clean and well lit.** Cluttered or dark areas invite accidents.
- ▶ **Do not operate power tools in explosive atmospheres, such as in the presence of flammable liquids, gases or dust.** Power tools create sparks which may ignite the dust or fumes.
- ▶ **Keep children and bystanders away while operating a power tool.** Distractions can cause you to lose control.

Electrical safety

- ▶ **Power tool plugs must match the outlet. Never modify the plug in any way. Do not use any adapter plugs with earthed (grounded) power tools.** Unmodified plugs and matching outlets will reduce risk of electric shock.
- ▶ **Avoid body contact with earthed or grounded surfaces, such as pipes, radiators, ranges and refrigerators.** There is an increased risk of electric shock if your body is earthed or grounded.
- ▶ **Do not expose power tools to rain or wet conditions.** Water entering a power tool will increase the risk of electric shock.
- ▶ **Do not abuse the cord. Never use the cord for carrying, pulling or unplugging the power tool. Keep cord away from heat, oil, sharp edges or moving parts.** Damaged or entangled cords increase the risk of electric shock.



- ▶ **When operating a power tool outdoors, use an extension cord suitable for outdoor use.** Use of a cord suitable for outdoor use reduces the risk of electric shock.
- ▶ **If operating a power tool in a damp location is unavoidable, use a residual current device (RCD) protected supply.** Use of an RCD reduces the risk of electric shock.

Personal safety

- ▶ **Stay alert, watch what you are doing and use common sense when operating a power tool. Do not use a power tool while you are tired or under the influence of drugs, alcohol or medication.** A moment of inattention while operating power tools may result in serious personal injury.
- ▶ **Use personal protective equipment. Always wear eye protection.** Protective equipment such as a dust mask, non-skid safety shoes, hard hat or hearing protection used for appropriate conditions will reduce personal injuries.
- ▶ **Prevent unintentional starting. Ensure the switch is in the off-position before connecting to power source and/or battery pack, picking up or carrying the tool.** Carrying power tools with your finger on the switch or energising power tools that have the switch on invites accidents.
- ▶ **Remove any adjusting key or wrench before turning the power tool on.** A wrench or a key left attached to a rotating part of the power tool may result in personal injury.
- ▶ **Do not overreach. Keep proper footing and balance at all times.** This enables better control of the power tool in unexpected situations.
- ▶ **Dress properly. Do not wear loose clothing or jewellery. Keep your hair and clothing away from moving parts.** Loose clothes, jewellery or long hair can be caught in moving parts.
- ▶ **If devices are provided for the connection of dust extraction and collection facilities, ensure these are connected and properly used.** Use of dust collection can reduce dust-related hazards.
- ▶ **Do not let familiarity gained from frequent use of tools allow you to become complacent and ignore tool safety principles.** A careless action can cause severe injury within a fraction of a second.

Power tool use and care

- ▶ **Do not force the power tool. Use the correct power tool for your application.** The correct power tool will do the job better and safer at the rate for which it was designed.
- ▶ **Do not use the power tool if the switch does not turn it on and off.** Any power tool that cannot be controlled with the switch is dangerous and must be repaired.
- ▶ **Disconnect the plug from the power source and/or remove the battery pack, if detachable, from the power tool before making any adjustments, changing accessories, or storing power tools.** Such preventive safety measures reduce the risk of starting the power tool accidentally.
- ▶ **Store idle power tools out of the reach of children and do not allow persons unfamiliar with the power tool or these instructions to operate the power tool.** Power tools are dangerous in the hands of untrained users.
- ▶ **Maintain power tools and accessories. Check for misalignment or binding of moving parts, breakage of parts and any other condition that may affect the power tool's operation. If damaged, have the power tool repaired before use.** Many accidents are caused by poorly maintained power tools.
- ▶ **Keep cutting tools sharp and clean.** Properly maintained cutting tools with sharp cutting edges are less likely to bind and are easier to control.
- ▶ **Use the power tool, accessories and tool bits etc. in accordance with these instructions, taking into account the working conditions and the work to be performed.** Use of the power tool for operations different from those intended could result in a hazardous situation.
- ▶ **Keep handles and grasping surfaces dry, clean and free from oil and grease.** Slippery handles and grasping surfaces do not allow for safe handling and control of the tool in unexpected situations.

Service

- ▶ **Have your power tool serviced by a qualified repair person using only identical replacement parts.** This will ensure that the safety of the power tool is maintained.

2.2 Hammer safety warnings

Safety instructions for all operations

- ▶ **Wear ear protectors.** Exposure to noise can cause hearing loss.
- ▶ **Use auxiliary handle(s), if supplied with the tool.** Loss of control can cause personal injury.
- ▶ **Hold the power tool by insulated gripping surfaces, when performing an operation where the cutting accessory may contact hidden wiring or its own cord.** Cutting accessory contacting a "live" wire may make exposed metal parts of the power tool "live" and could give the operator an electric shock.



2.3 Additional safety instructions

Personal safety

- ▶ Use the product only when it is in technically faultless condition.
- ▶ Never tamper with or modify the product in any way.
- ▶ Apply appropriate safety measures at the opposite side of the workpiece in work that involves breaking through. Parts breaking away could fall out and / or fall down causing injury to other persons.
- ▶ Check that the side handle is fitted correctly and tightened securely. Always hold the tool with both hands on the grips provided. Keep the grips dry, clean and free from oil and grease.
- ▶ For this product, use only **Hilti** chisels with the TE-H connection end.
- ▶ Change the chisel only when the power tool is in the horizontal position, never when it is vertical.
- ▶ Push the chisel into the chuck until it engages with an audible click and the yellow warning ring is no longer visible.
- ▶ Check that the chisel is correctly engaged. **ATTENTION:** A chisel not securely engaged in the chuck can unexpectedly lead to dangerous situations!
- ▶ Start this product only when it is in the working position, not in a transport position!
- ▶ Take breaks between working and do physical exercises to improve the blood circulation in your fingers. Exposure to vibration during long periods of work can lead to disorders of the blood vessels and nervous system in the fingers, hands and wrists.
- ▶ The product is not intended for use by children, by debilitated persons or by persons who have received no instruction or training.
- ▶ Keep the power tool out of reach of children.
- ▶ Before starting work, check the hazard class of the dust that will be produced when working. Use an industrial vacuum cleaner with an officially approved protection classification in compliance with locally applicable dust protection regulations.
- ▶ Use a dust removal system and suitable mobile dust extractor whenever possible. Dust from materials such as lead-based paint, certain types of wood and concrete/masonry/stone containing quartz, minerals or metal can be harmful to health.
- ▶ Make sure that the workplace is well ventilated and, where necessary, wear a dust mask appropriate for the type of dust generated. Contact with or inhalation of the dust may cause allergic reactions and/or respiratory or other diseases to the operator or bystanders. Certain kinds of dust, such as oak and beech dust, are classified as carcinogenic, especially in conjunction with additives for treating wood (chromate, wood preservative). Only specialists are permitted to handle material containing asbestos.

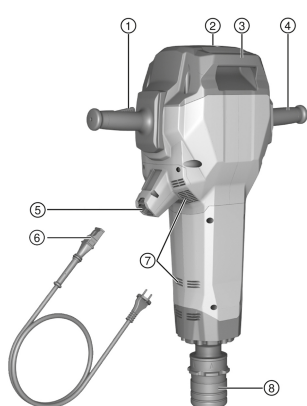
Electrical safety

- ▶ Before beginning work, check the working area for concealed electric cables or gas and water pipes. External metal parts of the power tool can become live, presenting a risk of electric shock, if you accidentally damage an electric cable.
- ▶ Check the supply cord of this product at regular intervals and have it replaced by a qualified specialist if found to be damaged. If the power tool's supply cord is damaged it must be replaced with a specially-prepared and approved supply cord available from Hilti Customer Service. Check extension cords at regular intervals and replace them if found to be damaged. Do not touch the supply cord or extension cord if it is damaged while working. Unplug the supply cord from the power outlet. Damaged supply cords or extension cords present a risk of electric shock.
- ▶ Dirty or dusty power tools that have been used frequently for work on conductive materials should be checked at regular intervals by **Hilti** Service. Dust (especially dust from conductive materials) or dampness adhering to the surface of the tool may, under unfavorable conditions, lead to electric shock.
- ▶ Switch the power tool off and unplug the supply cord in the event of a power failure or interruption in the electricity supply. This will prevent accidental restarting when power returns.



3 Description

3.1 Product overview 1



- ① Grip with on/off switch
- ② Service indicator
- ③ Carrying handle
- ④ Grip
- ⑤ Supply cord connector
- ⑥ Supply cord with keyed plug connector
- ⑦ Air vents
- ⑧ Chuck

3.2 Overview of the transport trolley 2

- ① Grip
- ② Load retainer
- ③ Locking bar
- ④ Holder for accessory tools (chisels)
- ⑤ Wheels
- ⑥ Wheel securing parts (washer, retaining pin)
- ⑦ Power tool locating pin
- ⑧ Carrying handle

3.3 Intended use

The product described is a hand-held electric breaker with 28 mm hex chuck. It is designed for chiseling work on concrete, masonry and asphalt. Excavation and compacting are further possible applications.

- ▶ Operation is permissible only when connected to a power source providing a voltage and frequency in compliance with the information given on the type identification plate.

3.4 Possible misuse

This product is not suitable for working on hazardous materials.

This product is not suitable for working in a damp environment.

3.5 Service indicator

The breaker is equipped with a service indicator LED.

Status	Meaning
The service indicator lights red.	<ul style="list-style-type: none"> • End of service interval – servicing is due. Bring the product to Hilti Service. • The product is faulty. Bring the product to Hilti Service.
Service indicator flashes red.	<ul style="list-style-type: none"> • Temporary fault. Wait 10 seconds for the flashing to stop. • If the flashing does not stop within 10 seconds, unplug the supply cord from the power supply and wait for 2 minutes. • If the flashing does not stop, bring the product to Hilti Service.
"Ready for operation" indicator flashes green.	<ul style="list-style-type: none"> • The overheating prevention cut-out has been activated. • Allow the product to cool down.



Status	Meaning
"Ready for operation" indicator shows green.	Product is ready for use.

Bring the product to **Hilti Service** in good time. This will help to ensure that it's always ready for use.

3.6 Active Vibration Reduction

The tool is equipped with an Active Vibration Reduction (AVR) system which reduces vibration noticeably.

3.7 Items supplied

Electric breaker, operating instructions, grease.

The transport trolley is available as an accessory.

Other system products approved for use with this product can be found at your local **Hilti Store** or at: www.hilti.group

4 Technical data

For details of the rated voltage, current, frequency and/or input power, please refer to the power tool's country-specific type identification plate.

When powered by a generator or transformer, the generator or transformer's power output must be at least twice the rated input power shown on the rating plate of the power tool. The operating voltage of the transformer or generator must always be within +5% and -15% of the rated voltage of the power tool.

	TE 3000-AVR
Weight in accordance with EPTA procedure 01	27.1 kg
Single impact energy in accordance with the EPTA procedure	85 J
Storage temperature	-20 °C ... 70 °C
Ambient temperature for operation	-20 °C ... 55 °C

4.1 Noise information and vibration values in accordance with EN 60745

The sound pressure and vibration values given in these instructions were measured in accordance with a standardized test and can be used to compare one power tool with another. They can also be used for a preliminary assessment of exposure. The data given represents the main applications of the power tool. However, if the power tool is used for different applications, with different accessory tools, or is poorly maintained, the data can vary. This can significantly increase exposure over the total working period. An accurate estimation of exposure should also take into account the times when the tool is switched off, or when it is running but not actually being used for a job. This can significantly reduce exposure over the total working period. Identify additional safety measures to protect the operator from the effects of noise and/or vibration, for example: Maintaining the power tool and accessory tools, keeping the hands warm, organization of work patterns.

Noise information

Sound power level (L_{WA})	106 dB(A)
Uncertainty for the sound power level (K_{WA})	3 dB(A)
Sound pressure level (L_{pA})	95 dB(A)
Uncertainty for the sound pressure level (K_{pA})	3 dB(A)

Vibration information

Chiseling (a_h, C_{heq})	6.9 m/s ²
Uncertainty (K)	1.5 m/s ²



4.2 Using extension cords

WARNING

A damaged supply cord presents a hazard! Do not touch the supply cord or extension cord if damaged while working. Disconnect the supply cord plug from the power outlet.

- ▶ Check the appliance's supply cord at regular intervals and have it replaced by a qualified specialist if found to be damaged.
-
- Use only extension cords of a type approved for the application and with conductors of adequate gauge (cross section). The power tool may otherwise suffer a drop in performance and the extension cord may overheat.
 - Check the extension cord for damage at regular intervals.
 - Replace damaged extension cords.
 - When working outdoors, use only extension cords that are approved and correspondingly marked for this application.

Information on recommended minimum conductor cross-sections and cable lengths is accessible via a link, in the form of a QR code, at the end of this document.

5 Preparations at the workplace

CAUTION

Risk of injury! Inadvertent starting of the product.

- ▶ Unplug the supply cord before making adjustments to the power tool or before changing accessories.

Observe the safety instructions and warnings in this documentation and on the product.

5.1 Accessory tool



For this product, use only **Hilti** chisels with the **TE-H** connection end.

Other chisels cannot be engaged correctly in the chuck and the yellow warning ring on the accessory-tool lock remains visible. It indicates that the accessory tool is not suitable for the breaker!

- ▶ Before each use, check that the yellow warning ring on the accessory-tool lock is no longer visible.

5.2 Inserting the accessory tool



Check the accessory tool for damage or uneven wear each time before use and replace it if necessary.

1. Apply a little grease to the connection end of the accessory tool.
2. Push the chisel with the **TE-H** connection end into the chuck until it engages with an audible click and the yellow warning ring is no longer visible.
3. Check that the chisel has engaged correctly by gripping and pulling it.



Use only the recommended grease supplied by **Hilti**. Use of unsuitable grease may cause damage to the product.

5.3 Connecting the detachable supply cord

CAUTION

Risk of injury! Due to leakage current as a result of dirty contacts.

- ▶ Connect the detachable electric connector to the electric tool only when it is clean and dry and when the supply cord is unplugged from the power outlet.

1. Push the keyed, detachable electric plug connector into the socket as far as it will go, until it is heard to engage.



2. Plug the supply cord into the power outlet.



Hilti recommends always leaving the detachable supply cord connected to the power tool. The detachable supply cord should be disconnected only in the event of breakage/damage.

6 Types of work



WARNING

Damaged power cords are a safety hazard! If the supply cord or extension cord is damaged while work is in progress, immediately disconnect the device and the cord from the electricity supply. Do not touch the damaged part of the cord.

- ▶ Regularly check all supply cords. Replace defective extension cords. Have damaged power cords replaced by a qualified specialist.

Use of a ground fault circuit interrupter (residual current device, RCD) with a maximum tripping current of 30 mA is recommended.

6.1 Starting breaker

1. Fully depress both the grip and the on/off switch at the same time.
 - ▶ The breaker starts.
2. Keep the on/off switch depressed while work is in progress.
 - ▶ In addition, you can control the performance of the machine by varying the extent to which the grip is depressed.



If operation is paused for longer than 1 minute, the machine resets to its initial setting. To restart the machine you have to fully depress both the grip and the on/off switch at the same time.

6.2 Chiseling



The chisel can be adjusted to 6 different positions (in 60° increments). This ensures that flat chisels and shaped chisels can always be set to the optimum working position.

1. Plug the supply cord into the power outlet.
2. Bring the chisel into contact with the workpiece about 80 -100 mm (3 1/8" - 4") from its edge.
3. Fully depress both the grip and the on/off switch.
4. Start with the chisel held at an angle of 90 ° to the concrete surface and face the chisel toward the edge of the workpiece. Then change the angle to 70 ° to 80 ° and chisel the material away.
 - ▶ When working close to reinforcing bars, always guide the tip of the chisel toward the edge of the workpiece, not toward a reinforcing bar.



Working at low temperatures:

The hammering mechanism works only when the power tool has reached a minimum operating temperature. Bring the chisel into contact with the workpiece and allow the power tool to run under no load until the required temperature is reached. If necessary, repeat this procedure until the hammering mechanism begins to operate.


6.3 Removing the accessory tool



WARNING

Risk of injury! The accessory tool gets hot during use and may also have sharp edges.


- ▶ Wear protective gloves when changing the tool.

1. Unplug the supply cord from the power outlet.
2. Pull the accessory tool retaining bar back as far as it will go.
3. Remove the accessory tool.
4.  **ATTENTION:** Do not lay the hot accessory tool down on highly inflammable materials.



6.4 Disconnecting the detachable supply cord

1. Unplug the supply cord from the power outlet.
2. Press the release button and pull the keyed, detachable electric plug connector out of the socket.
3. Pull the supply cord connector out of the power tool.

 **Hilti** recommends always leaving the detachable supply cord connected to the power tool. The detachable supply cord should be disconnected only in the event of breakage/damage.

7 Care and maintenance

WARNING

Electric shock hazard! Attempting care and maintenance with the supply cord connected to a power outlet can lead to severe injury and burns.

- ▶ Always unplug the supply cord before carrying out care and maintenance tasks.

Care


- Carefully remove stubborn dirt from the tool.
- Clean the air vents carefully with a dry brush.
- Use only a slightly damp cloth to clean the casing. Do not use cleaning agents containing silicone as they can attack the plastic parts.

Maintenance

WARNING

Danger of electric shock! Improper repairs to electrical components may lead to serious injuries including burns.

- ▶ Repairs to the electrical section of the tool or appliance may be carried out only by trained electrical specialists.
- Check all visible parts and controls for signs of damage at regular intervals and make sure that they all function correctly.
- Do not operate the product if signs of damage are found or if parts malfunction. Have it repaired immediately by **Hilti Service**.
- After cleaning and maintenance, fit all guards or protective devices and check that they function correctly.

 To help ensure safe and reliable operation, use only genuine Hilti spare parts and consumables. Spare parts, consumables and accessories approved by Hilti for use with the product can be found at your local **Hilti Store** or online at: www.hilti.group.

8 Transport and storage

Transport

- ▶ Do not transport this product with an accessory tool installed.
- ▶ Make sure that the equipment is held securely throughout all transport operations.
- ▶ After transporting, always check all visible parts and controls for signs of damage and make sure that they all function correctly.

Storage

- ▶ Always store this product with the electric supply cable unplugged from the electricity supply.
- ▶ Store this product in a dry place, where it cannot be accessed by children or unauthorized persons.
- ▶ After a long period of storage, always check all visible parts and controls for signs of damage and make sure that they all function correctly.

8.1 Transport using the transport trolley

WARNING

Risk of injury due to high weight The breaker is heavy.

- ▶ Use the transport trolley whenever possible. If no transport trolley is available for use, the breaker should always be transported by two persons.





Do not park the transport trolley on an incline.

Take care to ensure that the transport trolley stands in a steady, secure position.

Take care to use only safe transport routes.

1. Place the breaker on the locating pin on the transport trolley.
2. Secure the breaker during transport by closing the locking bar.
3. Push the chisel into the accessory tool holder until it engages.

9 Troubleshooting

If the trouble you are experiencing is not listed in this table or you are unable to remedy the problem by yourself, please contact **Hilti Service**.

9.1 Troubleshooting

Trouble or fault	Possible cause	Action to be taken
The breaker doesn't start.	Electronics initialization in progress (takes up to 4 seconds after plugging in).	▶ Switch the power tool off and then on again.
	Interruption in the electricity supply	▶ Plug in another electric tool or appliance and check whether it works.
	The electronic restart interlock is activated after an interruption in the electricity supply.	▶ Switch the power tool off and then on again.
	Generator in sleep mode	▶ Apply a load to the generator by connecting a second power consumer (e.g. worklight). Switch the tool off and then on again.
	The detachable supply cord is not plugged in correctly	▶ Fit the detachable supply cord to the power tool correctly.
The service indicator lights red.	The tool is faulty or servicing is due	▶ Have the product repaired only by Hilti Service .
Service indicator flashes red.	Temporary fault	<ul style="list-style-type: none"> ▶ Wait 10 seconds for the flashing to stop. ▶ If the flashing does not stop within 10 seconds, unplug the supply cord from the power supply and wait for 2 minutes. ▶ If the flashing does not stop, bring the product to Hilti Service.
	The voltage provided by the electric supply is too high.	▶ Use a different power outlet. Check the electric supply.
"Ready for operation" indicator flashes green.	Protection against overheating	<ul style="list-style-type: none"> ▶ Allow the product to cool down. ▶ Clean the air vents. Running under no load is still possible.
No hammering action.	The power tool is too cold	▶ Bring the tip of the accessory tool into contact with the working surface, switch the power tool on and allow it to run. If necessary, repeat the procedure until the hammering mechanism begins to operate.



Trouble or fault	Possible cause	Action to be taken
Breaker hammers at severely reduced frequency.	No-contact stroke (chisel does not impact on hard material)	<ul style="list-style-type: none"> ▶ Release the switch and restart the machine, or: ▶ With the switch pressed, also fully depress the grip.
The breaker doesn't start or cuts out during operation.	The extension cord is too long or the conductor cross-section is inadequate	<ul style="list-style-type: none"> ▶ Use an extension cord of an approved length and / or of adequate conductor cross-section.

10 Disposal

Most of the materials from which **Hilti** tools and appliances are manufactured can be recycled. The materials must be correctly separated before they can be recycled. In many countries, your old tools, machines or appliances can be returned to **Hilti** for recycling. Ask **Hilti** Service or your Hilti representative for further information.



- ▶ Do not dispose of power tools, electronic equipment or batteries as household waste!

11 RoHS (Restriction of Hazardous Substances)

Click on the link to go to the table of hazardous substances: qr.hilti.com/r/11668382. There is a link to the RoHS table, in the form of a QR code, at the end of this document.

12 Manufacturer's warranty

- ▶ Please contact your local **Hilti** representative if you have questions about the warranty conditions.

Mode d'emploi original

1 Indications relatives à la documentation

1.1 À propos de cette documentation

- Lire intégralement la présente documentation avant la mise en service. C'est la condition préalablement requise pour assurer la sécurité du travail et un maniement sans perturbations.
- Bien respecter les consignes de sécurité et les avertissements de la présente documentation ainsi que celles figurant sur le produit.
- Toujours conserver le mode d'emploi à proximité du produit et uniquement le transmettre à des tiers avec ce mode d'emploi.

1.2 Explication des symboles

1.2.1 Avertissements

Les avertissements attirent l'attention sur des dangers liés à l'utilisation du produit. Les termes de signalisation suivants sont utilisés :

DANGER

DANGER !

- ▶ Pour un danger imminent qui peut entraîner de graves blessures corporelles ou la mort.

AVERTISSEMENT

AVERTISSEMENT !

- ▶ Pour un danger potentiel qui peut entraîner de graves blessures corporelles ou la mort.



ATTENTION

ATTENTION !

- Pour une situation potentiellement dangereuse pouvant entraîner des blessures corporelles ou des dégâts matériels.

1.2.2 Symboles dans la documentation

Les symboles suivants sont utilisés dans la présente documentation :

	Lire le mode d'emploi avant d'utiliser l'appareil
	Pour des conseils d'utilisation et autres informations utiles
	Maniement des matériaux recyclables
	Ne pas jeter les appareils électriques et les accus dans les ordures ménagères

1.2.3 Symboles dans les illustrations

Les symboles suivants sont utilisés dans les illustrations :

	Ces chiffres renvoient à l'illustration correspondante au début du présent mode d'emploi
	La numérotation détermine la séquence des étapes de travail dans l'image et peut se différencier de celles des étapes de travail dans le texte
	Les numéros de position sont utilisés dans l'illustration Vue d'ensemble et renvoient aux numéros des légendes dans la section Vue d'ensemble du produit
	Ce signe doit inviter à manier le produit en faisant particulièrement attention.

1.3 Symboles sur le produit

1.3.1 Symboles sur le produit

Les symboles suivants peuvent être utilisés sur le produit :

	Classe de protection II (double isolation)
	Transport par pont roulant ou grue interdit
	Transmission de données sans fil

1.4 Informations produit

Les produits sont destinés aux professionnels et ne doivent être utilisés, entretenus et réparés que par un personnel autorisé et formé. Ce personnel doit être spécialement instruit quant aux dangers inhérents à l'utilisation de l'appareil. Le produit et ses accessoires peuvent s'avérer dangereux s'ils sont utilisés de manière incorrecte par un personnel non qualifié ou de manière non conforme à l'usage prévu.

La désignation du modèle et le numéro de série figurent sur sa plaque signalétique.

- Inscrivez le numéro de série dans le tableau suivant. Les informations produit vous seront demandées lorsque vous contactez nos revendeurs ou services après-vente.

Caractéristiques produit

Burineur	TE 3000-AVR
Génération	03
N° de série	



1.5 Déclaration de conformité

Nous déclarons sous notre seule et unique responsabilité que le produit décrit ici est conforme aux directives et normes en vigueur. Une copie de la Déclaration de conformité se trouve en fin de la présente documentation.

Pour obtenir les documentations techniques, s'adresser à :

Hilti Entwicklungsgesellschaft mbH | Zulassung Geräte | Hiltistraße 6 | 86916 Kaufering, DE

2 Sécurité

2.1 Indications générales de sécurité pour les appareils électriques

⚠ AVERTISSEMENT Lire toutes les consignes de sécurité et instructions, illustrations et caractéristiques techniques, qui accompagnent cet outil électroportatif. Tout manquement à l'observation des instructions suivantes risque de provoquer une électrocution, un incendie et/ou de graves blessures.

Les consignes de sécurité et instructions doivent être intégralement conservées pour les utilisations futures.

La notation d'« outil électroportatif » mentionnée dans les consignes de sécurité se rapporte à des outils électriques raccordés au secteur (avec câble d'alimentation) et à des outils électriques sur accu (sans câble d'alimentation).

Sécurité sur le lieu de travail

- ▶ **Conserver la zone de travail propre et bien éclairée.** Un lieu de travail en désordre ou mal éclairé augmente le risque d'accidents.
- ▶ **Ne pas faire fonctionner les outils électriques en atmosphère explosive et où se trouvent des liquides, des gaz ou poussières inflammables.** Les outils électriques produisent des étincelles qui peuvent enflammer les poussières ou les fumées.
- ▶ **Maintenir les enfants et les personnes présentes à l'écart pendant l'utilisation de l'outil électroportatif.** En cas d'inattention il y a risque de perdre le contrôle de l'appareil.

Sécurité relative au système électrique

- ▶ **La fiche de secteur de l'outil électroportatif doit être adaptée à la prise de courant. Ne jamais modifier la fiche de quelque façon que ce soit. Ne pas utiliser d'adaptateurs avec des outils électriques à branchement de terre.** Des fiches non modifiées et des prises de courant adaptées réduiront le risque de choc électrique.
- ▶ **Éviter le contact physique avec des surfaces mises à la terre tels que tuyaux, radiateurs, cuisinières et réfrigérateurs.** Il y a un risque élevé de choc électrique au cas où votre corps serait relié à la terre.
- ▶ **Ne pas exposer les outils électroportatifs à la pluie ou à l'humidité.** La pénétration d'eau à l'intérieur d'un outil électroportatif augmentera le risque d'un choc électrique.
- ▶ **Ne jamais utiliser le câble de raccordement à d'autres fins que celles prévues, telles que pour porter, accrocher ou débrancher l'outil électroportatif de la prise de courant. Maintenir le câble de raccordement à l'écart de la chaleur, des parties grasses, des bords tranchants ou des parties en mouvement.** Des câbles de raccordement endommagés ou emmêlés augmentent le risque de choc électrique.
- ▶ **Si l'outil électroportatif est utilisé à l'extérieur, utiliser uniquement des câbles de rallonge homologués pour les applications extérieures.** L'utilisation d'un câble de rallonge homologué pour les applications extérieures réduit le risque d'un choc électrique.
- ▶ **Si l'utilisation de l'outil électrique dans un environnement humide ne peut pas être évitée, utiliser un interrupteur de protection contre les courants de court-circuit.** L'utilisation d'un tel interrupteur de protection réduit le risque d'une décharge électrique.

Sécurité des personnes

- ▶ **Rester vigilant, surveiller ce que l'on fait. Faire preuve de bon sens en utilisant l'outil électroportatif. Ne pas utiliser l'outil électroportatif en étant fatigué ou sous l'emprise de l'alcool, de drogues ou de médicaments.** Un moment d'inattention lors de l'utilisation de l'outil électroportatif peut entraîner des blessures graves.
- ▶ **Utiliser un équipement de protection personnel et toujours porter une protection pour les yeux.** Les équipements de protection personnels tels que masque antipoussière, chaussures de sécurité antidérapantes, casque de protection ou protection acoustique suivant l'utilisation de l'outil électroportatif, réduiront le risque de blessures des personnes.
- ▶ **Éviter une mise en service par mégarde. S'assurer que l'outil électroportatif est arrêté avant de le brancher à la source de courant et/ou à l'accu, de le prendre ou de le porter.** Le fait de porter l'outil



électroportatif avec le doigt sur l'interrupteur ou de brancher l'appareil sur la source de courant lorsque l'interrupteur est en position de fonctionnement peut entraîner des accidents.

- ▶ **Retirer tout outil de réglage ou toute clé avant de mettre l'outil électroportatif en fonctionnement.** Une clé ou un outil se trouvant sur une partie en rotation peut causer des blessures.
- ▶ **Adopter une bonne posture. Veiller à toujours garder une position stable et équilibrée.** Cela permet un meilleur contrôle de l'outil électroportatif dans des situations inattendues.
- ▶ **S'habiller de manière adaptée. Ne pas porter de vêtements amples ni de bijoux. Garder les cheveux, les vêtements et les gants à distance des parties en mouvement.** Des vêtements amples, des bijoux ou des cheveux longs peuvent être happés par des parties en mouvement.
- ▶ **Si des dispositifs servant à aspirer ou à recueillir les poussières doivent être utilisés, s'assurer qu'ils sont effectivement raccordés et correctement utilisés.** L'utilisation d'un dispositif d'aspiration de la poussière peut réduire les risques dus aux poussières.
- ▶ **Ne pas sous-estimer les mesures de sécurité à prendre et ne pas ignorer sciemment les règles de sécurité applicables aux outils électriques, même si l'on est utilisateur chevronné après de fréquentes utilisations de l'outil électroportatif.** Un manque d'attention peut conduire à de graves blessures en quelques fractions de seconde.

Utilisation et maniement de l'outil électroportatif

- ▶ **Ne pas forcer l'appareil. Utiliser l'outil électroportatif adapté au travail à effectuer.** Un outil électroportatif approprié réalisera mieux le travail et de manière plus sûre au régime pour lequel il a été conçu.
- ▶ **Ne pas utiliser d'outil électroportatif dont l'interrupteur est défectueux.** Tout outil électroportatif qui ne peut plus être mis en ou hors fonctionnement est dangereux et doit être réparé.
- ▶ **Débrancher la fiche de la prise de courant et/ou l'accu amovible avant d'effectuer des réglages sur l'appareil, de changer les accessoires, ou de ranger l'appareil.** Cette mesure de précaution empêche une mise en fonctionnement par mégarde de l'outil électroportatif.
- ▶ **Conserver les outils électroportatifs non utilisés hors de portée des enfants. Ne permettre l'utilisation de l'appareil à aucune personne qui ne soit pas familiarisée avec celui-ci ou qui n'a pas lu ces instructions.** Les outils électroportatifs sont dangereux lorsqu'ils sont entre les mains de personnes non initiées.
- ▶ **Prendre soin des outils électroportatifs et des accessoires. Vérifier que les parties en mouvement fonctionnent correctement et qu'elles ne sont pas coincées, et contrôler si des parties sont cassées ou endommagées de sorte que le bon fonctionnement de l'outil électroportatif s'en trouve entravé. Faire réparer les parties endommagées avant d'utiliser l'appareil.** De nombreux accidents sont dus à des outils électroportatifs mal entretenus.
- ▶ **Garder les outils de coupe affûtés et propres.** Des outils destinés à couper correctement entretenus avec des arêtes de coupe tranchantes sont moins susceptibles de bloquer et sont plus faciles à contrôler.
- ▶ **L'outil électroportatif, les accessoires, les outils amovibles, etc. doivent être utilisés conformément à ces instructions. Tenir également compte des conditions de travail et du travail à réaliser.** L'utilisation des outils électroportatifs à d'autres fins que celles prévues peut entraîner des situations dangereuses.
- ▶ **Veiller à ce que les poignées et surfaces de préhension soient toujours être sèches, propres et exemptes de traces de graisse ou d'huile.** Avec des poignées et surfaces de préhension glissantes, la sécurité et le contrôle de l'outil électroportatif ne peuvent être assurés dans des situations inopinées.

Service

- ▶ **L'outil électroportatif doit uniquement être réparé par un personnel qualifié, utilisant exclusivement des pièces de rechange d'origine.** Ceci permet d'assurer la sécurité de l'outil électroportatif.

2.2 Indications générales de sécurité applicables aux burineurs

Consignes de sécurité pour tous les travaux

- ▶ **Porter un casque antibruit.** Le bruit peut entraîner des pertes auditives.
- ▶ **Utiliser la poignée supplémentaire livrée avec l'appareil.** La perte de contrôle peut entraîner des blessures.
- ▶ **Tenir l'appareil par les surfaces isolées des poignées lors des travaux pendant lesquels l'accessoire risque de toucher des câbles électriques cachés ou son propre câble d'alimentation réseau.** Le contact avec un câble sous tension risque de mettre les parties métalliques de l'appareil sous tension et de provoquer une décharge électrique.



2.3 Consignes de sécurité supplémentaires

Sécurité des personnes

- ▶ Utiliser le produit uniquement s'il est en parfait état.
- ▶ Ne jamais entreprendre de manipulation ni de modification sur le produit.
- ▶ Lors de travaux d'ajourage, protéger l'espace du côté opposé aux travaux. Des morceaux de matériaux risquent d'être éjectés et / ou de tomber, et de blesser d'autres personnes.
- ▶ S'assurer que la poignée latérale est bien montée et correctement serrée. Toujours tenir le produit des deux mains par les poignées prévues à cet effet. Veiller à ce que les poignées soient toujours sèches, propres et exemptes de traces de graisse et d'huile.
- ▶ Utiliser uniquement pour ce produit des burins **Hilti** avec extrémité de raccordement TE-H.
- ▶ Remplacer le burin uniquement lorsque l'outil se trouve à l'horizontale, jamais à la verticale.
- ▶ Enficher le burin dans le porte-outil jusqu'à ce qu'il s'encliquette de manière audible et que l'anneau d'avertissement jaune ne soit plus visible.
- ▶ Vérifier que le burin est bien encliqueté. **ATTENTION** : un burin mal sécurisé peut entraîner des situations dangereuses subites !
- ▶ Démarrer ce produit uniquement en position de travail, pas dans une position de transport !
- ▶ Faire régulièrement des pauses et des exercices pour favoriser l'irrigation sanguine dans les doigts. En cas de travaux prolongés, les vibrations peuvent perturber la circulation dans les vaisseaux sanguins ou le système nerveux dans les doigts, les mains ou le poignet.
- ▶ Le produit n'est pas destiné à être utilisé par des enfants, des personnes affaiblies ou des personnes sans encadrement.
- ▶ L'appareil doit être tenu à l'écart des enfants.
- ▶ Avant le début du travail, prendre connaissance de la classe de risque de la poussière générée lors des travaux. Utiliser un aspirateur avec une classification de sécurité autorisée officiellement et conforme aux dispositions locales concernant les poussières.
- ▶ Dans la mesure du possible, utiliser un dispositif d'aspiration des poussières ainsi qu'un dépoussiéreur mobile adéquat. Les poussières de matériaux telles que des peintures contenant du plomb, certains types de bois, du béton / de la maçonnerie / des pierres naturelles qui contiennent du quartz ainsi que des minéraux et des métaux peuvent être nuisibles à la santé.
- ▶ Veiller à ce que le poste de travail soit bien ventilé et porter, le cas échéant, un masque de protection respiratoire adapté au type de poussières. Le contact ou l'aspiration de poussière peut provoquer des réactions allergiques et/ou des maladies respiratoires de l'utilisateur ou de toute personne se trouvant à proximité. Certaines poussières, telles que des poussières de chêne ou de hêtre, sont réputées être cancérogènes, en particulier lorsqu'elles sont combinées à des additifs destinés au traitement du bois (chromate, produit de protection du bois). Les matériaux contenant de l'amiante doivent seulement être manipulés par un personnel spécialisé.

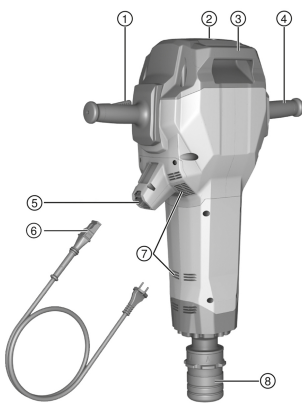
Sécurité relative au système électrique

- ▶ Avant d'entamer le travail, vérifier qu'il n'y a pas de câbles ou gaines électriques, tuyaux de gaz ou d'eau cachés dans la zone d'intervention. Toutes pièces métalliques extérieures de l'appareil sont susceptibles de provoquer une décharge électrique si un câble électrique est endommagé par inadvertance.
- ▶ Contrôler régulièrement le câble de raccordement de l'appareil et le faire remplacer par un spécialiste s'il est endommagé. Si le câble de raccordement de l'appareil électrique est endommagé, il doit être remplacé par un câble de raccordement spécialement préparé et autorisé, disponible auprès du service après-vente. Contrôler régulièrement les câbles de rallonge et les remplacer s'ils sont endommagés. Si le câble d'alimentation réseau ou de rallonge est endommagé pendant le travail, ne pas le toucher. Débrancher la fiche de la prise. Les cordons d'alimentation et câbles de rallonge endommagés représentent un danger d'électrocution.
- ▶ En cas d'usinage fréquent de matériaux conducteurs, faire réviser les outils électroportatifs encrassés à intervalles réguliers par le S.A.V. **Hilti**. Dans de mauvaises conditions d'utilisation, la poussière collée à la surface de l'appareil, surtout la poussière de matériaux conducteurs, ou l'humidité, peut entraîner une électrocution.
- ▶ En cas de coupure de courant, arrêter l'outil électroportatif et retirer la fiche de la prise. Cette mesure de précaution empêche une mise en fonctionnement par mégarde du produit lorsque le courant est rétabli.



3 Description

3.1 Vue d'ensemble du produit 1



- ① Poignée avec interrupteur Marche/Arrêt
- ② Indicateur de maintenance
- ③ Poignée de manutention
- ④ Poignée
- ⑤ Connecteur du câble d'alimentation
- ⑥ Câble d'alimentation avec connecteur codé
- ⑦ Ouïes d'aération
- ⑧ Mandrin

3.2 Vue d'ensemble – Chariot de transport 2

- ① Poignée
- ② Arrimage de la charge
- ③ Étrier de retenue
- ④ Support pour consommables (burin)
- ⑤ Roues
- ⑥ Fixation de sécurité de la roue (rondelle, goupille de retenue)
- ⑦ Mandrin porte-machine
- ⑧ Poignée de manutention

3.3 Utilisation conforme à l'usage prévu

Le produit décrit est un burineur à guidage manuel pourvu d'un porte-outil hexagonal de 28 mm. Il est destiné aux travaux de burinage dans le béton, la maçonnerie et l'asphalte. D'autres applications sont le pilonnage et le creusement.

- ▶ L'appareil ne doit fonctionner qu'avec la tension réseau et la fréquence réseau indiquées sur la plaque signalétique.

3.4 Mauvaise utilisation possible

Ce produit ne convient pas pour travailler des matériaux dangereux pour la santé.
Ce produit n'est pas conçu pour travailler dans un environnement humide.

3.5 Indicateur de maintenance

Le burineur est doté d'un indicateur de maintenance avec signal lumineux.

État	Signification
L'indicateur de maintenance s'allume en rouge.	<ul style="list-style-type: none"> • La durée de fonctionnement pour une maintenance est atteinte. Apporter le produit au S.A.V. Hilti. • Produit endommagé. Apporter le produit au S.A.V. Hilti.
L'indicateur de maintenance clignote en rouge.	<ul style="list-style-type: none"> • Anomalie temporaire. Attendre 10 secondes jusqu'à ce que le clignotement cesse. • Si le clignotement ne cesse pas au bout de 10 s, débrancher la fiche du câble d'alimentation et attendre 2 minutes. • Si le clignotement ne cesse pas, apporter le produit au S.A.V. Hilti.



État	Signification
L'indicateur de disponibilité clignote en vert.	<ul style="list-style-type: none"> Protection contre la surchauffe. Laisser l'appareil refroidir.
L'indicateur de disponibilité s'allume en vert.	Le produit est prêt à fonctionner.



Apporter le produit en temps voulu au S.A.V. **Hilti**. Il reste toujours prêt à fonctionner.

3.6 Active Vibration Reduction

Ce produit est équipé d'un système Active Vibration Reduction (AVR) qui réduit sensiblement les vibrations.

3.7 Éléments livrés

Burineur, mode d'emploi, graisse.

Le chariot de transport est proposé en option.



D'autres produits système pour votre produit peuvent être trouvés dans votre **Hilti Store** ou à l'adresse : www.hilti.group

4 Caractéristiques techniques



Les données de tension nominale, courant nominal, fréquence et / ou consommation nominale figurent sur la plaque signalétique spécifique au pays.

En cas d'utilisation avec un groupe électrogène ou un transformateur, leur puissance d'alimentation doit être au moins égale au double de la puissance indiquée sur la plaque signalétique de l'appareil. La tension de service du groupe électrogène ou du transformateur doit être toujours comprise entre +5 % et -15 % par rapport à la tension nominale de l'appareil.

	TE 3000-AVR
Poids selon la procédure EPTA 01	27,1 kg
Énergie libérée par coup selon la procédure EPTA	85 J
Température de stockage	-20 °C ... 70 °C
Température de service en cours de service	-20 °C ... 55 °C

4.1 Valeurs d'émissions acoustiques et de vibrations selon EN 60745

Les valeurs de pression acoustique et de vibrations triaxiales mentionnées dans ces instructions ont été mesurées conformément à un procédé de mesure normalisé et peuvent être utilisées comme base de comparaison entre outils électroportatifs. Elles servent également à une évaluation préalable de l'exposition aux bruits et aux vibrations. Les indications fournies correspondent aux principales applications de l'outil électroportatif. Ces données peuvent néanmoins différer si l'outil électroportatif est utilisé pour d'autres applications, avec des outils à monter différents ou que l'entretien s'avère insuffisant. Ceci peut augmenter considérablement les contraintes d'exposition dans tout l'espace de travail. Pour une évaluation précise des expositions, il convient également de prendre en compte les temps durant lesquels l'appareil est arrêté ou marche à vide. Ceci peut réduire considérablement les contraintes d'exposition dans tout l'espace de travail. Par ailleurs, il convient de prendre des mesures de sécurité supplémentaires en vue de protéger l'utilisateur des effets du bruit et/ou des vibrations, telles que : bien entretenir l'outil électroportatif ainsi que les outils à monter, maintenir les mains chaudes, optimiser l'organisation des opérations.

Valeurs d'émissions acoustiques

Niveau de puissance acoustique (L_{WA})	106 dB(A)
Incertitude sur le niveau de puissance acoustique (K_{WA})	3 dB(A)
Niveau de puissance acoustique (L_{pA})	95 dB(A)
Incertitude sur le niveau de pression acoustique (K_{pA})	3 dB(A)



Valeurs de vibrations

Burinage ($a_{h, Cheq}$)	6,9 m/s ²
Incertitude (K)	1,5 m/s ²

4.2 Utilisation de rallonges électriques**⚠ AVERTISSEMENT**

Danger engendré par un câble endommagé ! Si le câble d'alimentation réseau ou de rallonge est endommagé pendant le travail, ne pas le toucher. Débrancher la prise.

- ▶ Contrôler régulièrement les câbles de raccordement de l'appareil et les faire remplacer par un spécialiste s'ils sont endommagés.
-
- Utiliser uniquement des rallonges homologuées pour le domaine d'utilisation concerné et de section suffisante. Sinon, une perte de puissance de l'appareil et une surchauffe du câble risquent de se produire.
 - Vérifier régulièrement l'état de la rallonge électrique.
 - Remplacer les rallonges électriques endommagées.
 - À l'extérieur, n'utiliser que des rallonges homologuées et dotées du marquage adéquat.


Les sections minimales recommandées et les longueurs maximales de câbles se trouvent à la fin de la présente documentation, sous forme de code QR.

5 Préparatifs**⚠ ATTENTION**

Risque de blessures ! Mise en marche inopinée du produit.

- ▶ Retirer la fiche de la prise avant d'effectuer des réglages sur l'appareil ou de changer les accessoires.

Bien respecter les consignes de sécurité et les avertissements de la présente documentation ainsi que celles figurant sur le produit.

5.1 Outil amovible 

Utiliser uniquement pour ce produit des burins **Hilti** avec extrémité de raccordement **TE-H**.

D'autres burins ne peuvent pas être verrouillés correctement et l'anneau d'avertissement jaune reste visible. Celui-ci indique que l'outil amovible n'est pas approprié pour ce burineur !

- ▶ Avant chaque utilisation, vérifier que l'anneau d'avertissement jaune sur le verrouillage de l'outil n'est plus visible.


5.2 Mise en place de l'outil amovible 

Avant chaque utilisation, vérifier que l'outil n'est pas endommagé et qu'il ne présente pas d'usure irrégulière, et le remplacer le cas échéant.

1. Graisser légèrement l'emmanchement de l'outil amovible.
2. Enficher le burin avec extrémité de raccordement **TE-H** dans le porte-outil jusqu'à ce qu'il s'encliquette de manière audible et que l'anneau d'avertissement jaune ne soit plus visible.
3. Vérifier que l'outil est bien serré dans le dispositif de verrouillage en tirant dessus.



Utiliser exclusivement de la graisse **Hilti** d'origine. L'utilisation d'une graisse non appropriée peut engendrer des dommages sur le produit.

5.3 Branchement du câble d'alimentation enfichable **⚠ ATTENTION**

Risque de blessures du fait des courants de fuite si les contacts sont encrassés.

- ▶ Le connecteur électrique débranchable doit uniquement être raccordé à l'appareil électrique, s'il est propre, sec et hors tension.



1. Introduire l'embout de câble à connexion rapide codé jusqu'en butée dans l'appareil, jusqu'à ce que le dispositif de blocage s'encliquette avec un clic audible.
2. Brancher la fiche dans la prise.



Hilti recommande de toujours laisser le câble d'alimentation enfichable sur l'outil. Le câble d'alimentation enfichable ne doit être retiré qu'en cas de rupture / endommagement.

6 Travail



AVERTISSEMENT

Danger engendré par un câble endommagé ! Si le câble d'alimentation ou de rallonge est endommagé en cours de travail, débrancher immédiatement l'appareil et le câble du réseau. Ne pas toucher aux pièces défectueuses !

- ▶ Contrôler régulièrement les câbles de branchement. Remplacer les câbles de rallonge défectueux. Les câbles d'alimentation défectueux doivent être remplacés par un professionnel agréé.

Par principe, il est recommandé d'utiliser un interrupteur de protection contre les courants de court-circuit (RCD) avec un courant de déclenchement maximal de 30 mA.

6.1 Mettre le burineur en marche

1. Presser complètement l'interrupteur Marche/Arrêt sur la poignée.
 - ▶ Le burineur démarre.
2. Pendant le travail, maintenir l'interrupteur Marche/Arrêt enfoncé.
 - ▶ En outre, la pression exercée sur la poignée permet de réguler la puissance de la machine.



En cas de pause supérieure à 1 minute, la machine repasse au réglage d'origine. Pour redémarrer, il faut à nouveau presser l'interrupteur Marche/Arrêt sur la poignée.

6.2 Burinage



Le burin peut être bloqué dans 6 positions différentes (tous les 60°). Ainsi, que ce soit pour le burinage plat ou profilé, il est toujours possible de travailler dans la position optimale.

1. Brancher la fiche dans la prise.
2. Poser le burin à environ 80 à 100 mm (3 1/8" - 4") du bord.
3. Enfoncer complètement l'interrupteur Marche/Arrêt sur la poignée.
4. Débuter l'opération de burinage avec un angle de 90° par rapport à la surface du béton et orienter la pointe vers le bord. Redresser l'angle à 70 à 80° et enlever le matériau.
 - ▶ En cas d'armatures métalliques, toujours guider le burin vers le bord du matériel, jamais contre les armatures métalliques.



Travaux à basses températures :

L'appareil nécessite une température de service minimale, jusqu'à ce que le mécanisme de marteau fonctionne. Pour ce faire, poser un instant l'appareil sur le matériau support et le laisser tourner à vide. Répéter cette étape, si nécessaire, jusqu'à ce que le mécanisme de frappe fonctionne.

6.3 Retrait de l'outil amovible



AVERTISSEMENT

Risque de blessures L'appareil peut être très chaud du fait de son utilisation ou présenter des arêtes vives.

- ▶ Porter des gants de protection pour changer d'outil.
1. Débrancher la fiche de la prise.
 2. Retirer le dispositif de verrouillage de l'outil jusqu'à la butée.
 3. Retirer l'outil amovible.
 4. **ATTENTION !** Ne pas poser l'appareil chaud sur des matériaux facilement inflammables.



6.4 Débranchement du câble d'alimentation enfichable de l'appareil

1. Débrancher la fiche de la prise.
2. Appuyer sur la touche d'arrêt et retirer le connecteur électrique débranchable codé.
3. Tirer le câble d'alimentation hors de l'appareil.



Hilti recommande de toujours laisser le câble d'alimentation enfichable sur l'outil. Le câble d'alimentation enfichable ne doit être retiré qu'en cas de rupture / endommagement.

7 Nettoyage et entretien



AVERTISSEMENT

Danger d'électrocution ! Les travaux de nettoyage et d'entretien effectués avec fiche branchée à la prise peuvent entraîner de graves blessures ou brûlures.

- ▶ Toujours retirer la fiche de la prise avant tous travaux de nettoyage et d'entretien !

Nettoyage

- Éliminer prudemment les saletés récalcitrantes.
- Nettoyer les ouïes d'aération avec précaution au moyen d'une brosse sèche.
- Nettoyer le boîtier uniquement avec un chiffon légèrement humidifié. Ne pas utiliser de nettoyeurs à base de silicone, ceci pourrait attaquer les pièces en plastique.

Entretien



AVERTISSEMENT

Risque d'électrocution ! Des réparations inappropriées sur des composants électriques peuvent entraîner de graves blessures corporelles et brûlures.

- ▶ Toute réparation des pièces électriques ne doit être effectuée que par un électricien qualifié.
- Vérifier régulièrement qu'aucune pièce visible n'est endommagée et que les organes de commande sont parfaitement opérationnels.
- En cas d'endommagements et/ou de dysfonctionnements, ne pas utiliser le produit. Le faire immédiatement réparer par le S.A.V. **Hilti**.
- Après des travaux de nettoyage et d'entretien, vérifier si tous les équipements de protection sont bien en place et fonctionnent parfaitement.



Pour une utilisation en toute sécurité, utiliser uniquement des pièces de rechange et consommables d'origine. Vous trouverez les pièces de rechange, consommables et accessoires autorisés convenant pour votre produit dans le centre **Hilti Store** ou sous : www.hilti.group.

8 Transport et entreposage

Transport

- ▶ Ne jamais transporter ce produit avec outil monté.
- ▶ Veiller à le tenir fermement pendant le transport.
- ▶ Vérifier après chaque transport qu'aucune pièce visible n'est endommagée et que les organes de commande sont parfaitement opérationnels.

Stockage

- ▶ Toujours stocker l'appareil avec la fiche secteur débranchée.
- ▶ Stocker cet appareil à l'état sec hors de portée des enfants et des personnes non autorisées.
- ▶ Vérifier après un stockage prolongé qu'aucune pièce visible n'est endommagée et que les organes de commande sont parfaitement opérationnels.

8.1 Transport avec le chariot de transport



AVERTISSEMENT

Risque de blessures du fait du poids élevé Le burineur est lourd.

- ▶ Dans la mesure du possible, toujours utiliser le chariot de transport. Si aucun chariot de transport n'est disponible, toujours transporter le burineur à deux personnes.





Ne pas disposer le chariot de transport sur une surface inclinée.
Veiller à la stabilité du chariot de transport.
Choisir un trajet de transport sûr.

1. Poser le burineur sur le mandrin porte-machine sur le chariot de transport.
2. Pour le transport, veiller à ce que le burineur soit sécurisé avec l'étrier de retenue.
3. Introduire le burin jusqu'à la position d'encliquetage dans le support pour consommables.

9 Aide au dépannage

En cas de défaillances non énumérées dans ce tableau ou auxquelles il n'est pas possible de remédier sans aide, contacter le S.A.V. **Hilti**.


9.1 Guide de dépannage

Défaillance	Causes possibles	Solution
Le burineur ne démarre pas.	Initialisation de l'électronique en cours (attendre jusqu'à 4 secondes environ après le branchement de la fiche dans la prise)	▶ Arrêter puis remettre en marche l'appareil.
	Alimentation par secteur interrompue	▶ Brancher un autre appareil électrique et vérifier s'il fonctionne.
	Le dispositif de verrouillage anti-démarrage électronique après une coupure d'alimentation électrique est activé	▶ Arrêter puis remettre en marche l'appareil.
	Générateur en mode Veille	▶ Charger le générateur avec un second consommateur (p. ex. lampe de chantier). Ensuite, arrêter puis remettre en marche l'appareil.
	Câble d'alimentation pas correctement enfiché dans l'appareil	▶ Brancher le câble d'alimentation enfichable correctement sur l'appareil électrique.
L'indicateur de maintenance s'allume en rouge.	Appareil endommagé ou l'échéance du prochain entretien est atteinte	▶ Faire réparer le produit exclusivement par le S.A.V. Hilti .
L'indicateur de maintenance clignote en rouge.	Anomalie temporaire	<ul style="list-style-type: none"> ▶ Attendre 10 secondes jusqu'à ce que le clignotement cesse. ▶ Si le clignotement ne cesse pas au bout de 10 secondes, débrancher la fiche du câble d'alimentation et attendre 2 minutes. ▶ Si le clignotement ne cesse pas, apporter le produit au S.A.V. Hilti.
	La source d'alimentation électrique a une tension trop élevée.	▶ Changer de prise. Contrôler le réseau d'alimentation.
L'indicateur de disponibilité clignote en vert.	Protection contre les surchauffes	<ul style="list-style-type: none"> ▶ Laisser le produit refroidir. ▶ Nettoyer les ouïes d'aération. La marche à vide est encore possible.
Absence de percussion.	L'appareil est trop froid	▶ Poser le burineur sur le support et le laisser tourner à vide. Répéter si nécessaire jusqu'à ce que le mécanisme de frappe fonctionne.



Défaillance	Causes possibles	Solution
Le burineur frappe avec une fréquence fortement réduite.	Coup à vide (le burin ne frappe pas une surface dure)	<ul style="list-style-type: none"> ▶ Relâcher l'interrupteur et redémarrer la machine ou : ▶ Enfoncer également complètement la poignée tout en maintenant l'interrupteur enfoncé.
Le burineur ne se met pas en marche ou s'arrête.	Câble de rallonge trop long et / ou de section insuffisante	▶ Utiliser des câbles de rallonge de longueur admissible et / ou de section suffisante.

10 Recyclage

 Les appareils **Hilti** sont fabriqués pour une grande partie en matériaux recyclables. Le recyclage présuppose un tri adéquat des matériaux. **Hilti** reprend les appareils usagés dans de nombreux pays en vue de leur recyclage. Consulter le service clients **Hilti** ou un conseiller commercial.



- ▶ Ne pas jeter les appareils électriques, électroniques et accus dans les ordures ménagères !

11 RoHS (directive relative à la limitation d'utilisation des substances dangereuses)

Le tableau des substances dangereuses est accessible au moyen du lien suivant : qr.hilti.com/r11668382. Vous trouverez à la fin de cette documentation, sous forme de code QR, un lien menant au tableau RoHS.

12 Garantie constructeur

- ▶ En cas de questions sur les conditions de garantie, veuillez vous adresser à votre partenaire **Hilti** local.

Original brugsanvisning

1 Oplysninger vedrørende dokumentationen

1.1 Vedrørende denne dokumentation

- Læs denne dokumentation igennem før ibrugtagning. Det er en forudsætning for sikkert arbejde og korrekt håndtering.
- Følg sikkerheds- og advarselshenvisningerne i denne dokumentation og på produktet.
- Opbevar altid brugsanvisningen sammen med produktet, og overdrag det kun til andre personer sammen med denne anvisning.

1.2 Tegnforklaring

1.2.1 Advarsler

Advarsler advarer mod farer ved håndtering af produktet. Følgende signalord anvendes:



FARE

FARE !

- ▶ Betegner en umiddelbart truende fare, der kan medføre alvorlige kvæstelser eller døden.



ADVARSEL

ADVARSEL !

- ▶ Står ved en potentielt truende fare, der kan medføre alvorlige kvæstelser eller døden.



⚠ FORSIGTIG

FORSIGTIG !

- ▶ Advarer om en potentielt farlig situation, der kan forårsage personskader eller materielle skader.

1.2.2 Symboler i denne dokumentation

Følgende symboler anvendes i denne dokumentation:

	Læs brugsanvisningen før brug
	Anvisninger for anvendelse og andre nyttige oplysninger
	Håndtering af genvindbare materialer
	Elektriske maskiner og batterier må ikke bortskaffes som almindeligt husholdningsaffald

1.2.3 Symboler i illustrationer

Følgende symboler anvendes på illustrationer:

2	Disse tal henviser til de forskellige illustrationer i begyndelsen af brugsanvisningen
3	Nummereringen udtrykker arbejdsstrinnes rækkefølge på illustrationen og kan afvige fra arbejdsstrinene i teksten
11	Positionsnumre anvendes i illustrationen Oversigt og refererer til tallene i symbolforklaringen i afsnittet Produktoversigt
	Dette symbol skal sikre skærpet opmærksomhed ved omgang med produktet.

1.3 Symboler på produktet

1.3.1 Symboler på produktet

Følgende symboler kan anvendes på produktet:

	Kapslingsklasse II (dobbelisolering)
	Må ikke transporteres med kran
	Trådløs dataoverførsel

1.4 Produktoplysninger

HILTI-produkter er beregnet til professionel brug og må kun betjenes, efterses og vedligeholdes af autoriseret og instrueret personale. Dette personale skal i særdeleshed informeres om de potentielle farer, der er forbundet med anvendelsen af denne maskine. Der kan opstå farlige situationer ved anvendelse af produktet og det tilhørende udstyr, hvis det anvendes af personer, der ikke er blevet undervist i dens brug, eller hvis det ikke anvendes korrekt i henhold til forskrifterne i denne brugsanvisning.

Typebetegnelse og serienummer fremgår af typeskiltet.

- ▶ Notér serienummeret i den efterfølgende tabel. Du skal bruge produktoplysningerne ved henvendelser til vores lokale afdeling eller vores serviceværksted.

Produktoplysninger

Mejselhammer	TE 3000-AVR
Generation	03
Serienummer	

1.5 Overensstemmelseserklæring

Vi erklærer som eneansvarlige, at det beskrevne produkt er i overensstemmelse med gældende direktiver og standarder. Sidst i dette dokument finder du et billede af overensstemmelseserklæringen.



2 Sikkerhed

2.1 Generelle sikkerhedsanvisninger for elværktøj

⚠ ADVARSEL Læs alle sikkerhedsanvisninger, henvisninger, billedtekster og tekniske data på elværktøjet. Hvis følgende anvisninger ikke overholdes, er der risiko for elektrisk stød, brand og/eller alvorlige personskader.

Opbevar alle sikkerhedsanvisninger og instruktioner til senere brug.

Det benyttede begreb "elværktøj" i sikkerhedsanvisningerne refererer til elektriske maskiner (med netledning) eller batteridrevne maskiner (uden netledning).

Arbejdspladssikkerhed

- ▶ **Sørg for at holde arbejdsområdet ryddeligt og godt oplyst.** Uorden eller uoplyste arbejdsområder øger faren for uheld.
- ▶ **Brug ikke elværktøj i eksplosionstruede omgivelser, hvor der er brændbare væsker, gasser eller støv.** Elværktøj kan slå gnister, der kan antænde støv eller dampe.
- ▶ **Sørg for, at andre personer og ikke mindst børn holdes væk fra arbejdsområdet, når elværktøjet er i brug.** Hvis man distraheres, kan man miste kontrollen over maskinen.

Elektrisk sikkerhed

- ▶ **Elværktøjets stik skal passe til kontakten. Stikket må under ingen omstændigheder ændres. Brug ikke adapterstik sammen med jordforbundne elværktøj.** Uændrede stik, der passer til kontakterne, nedsætter risikoen for elektrisk stød.
- ▶ **Undgå kropskontakt med jordforbundne overflader som f.eks. rør, radiatorer, komfurer og køleskabe.** Hvis din krop er jordforbundet, øges risikoen for elektrisk stød.
- ▶ **Elværktøj må ikke udsættes for regn eller fugt.** Indtrængning af vand i elværktøj øger risikoen for elektrisk stød.
- ▶ **Brug ikke ledningen til formål, den ikke er beregnet til (f.eks. må man aldrig bære elværktøjet i ledningen, hænge det op i ledningen eller rykke i ledningen for at trække stikket ud af kontakten). Beskyt ledningen mod varme, olie, skarpe kanter eller dele, der er i bevægelse.** Beskadigede eller sammenviklede ledninger øger risikoen for elektrisk stød.
- ▶ **Hvis elværktøjet benyttes i det fri, må der kun benyttes en forlængerledning, der er egnet til udendørs brug.** Brug af forlængerledning til udendørs brug nedsætter risikoen for elektrisk stød.
- ▶ **Hvis det ikke kan undgås at anvende elværktøjet i fugtige omgivelser, skal du anvende et fejlstrømsrelæ.** Anvendelsen af et fejlstrømsrelæ nedsætter risikoen for et elektrisk stød.

Personlig sikkerhed

- ▶ **Det er vigtigt at være opmærksom, se, hvad man laver, og bruge maskinen fornuftigt. Anvend aldrig elværktøj, hvis du er træt eller påvirket af stoffer, alkohol eller medicin.** Et øjebliklig uopmærksomhed under brugen af elværktøjet kan medføre alvorlige personskader.
- ▶ **Brug beskyttelsesudstyr, og hav altid beskyttelsesbriller på.** Brug af sikkerhedsudstyr som f.eks. støvmaske, skridsikkert fodtøj, beskyttelseshjelm eller høreværn afhængigt af elværktøjets type og anvendelse nedsætter risikoen for personskader.
- ▶ **Undgå utilsigtet igangsætning. Kontrollér, at elværktøjet er frakoblet, før du slutter det til strømforsyningen og/eller batteriet, tager det op eller transporterer det.** Undgå at bære elværktøjet med fingeren på afbryderen, og sørg for, at det ikke er tændt, når det slutes til nettet, da dette øger risikoen for personskader.
- ▶ **Fjern indstillingsværktøj eller skruenøgler, inden elværktøjet tændes.** Hvis et stykke værktøj eller en nøgle sidder i en roterende maskindel, er der risiko for personskader.
- ▶ **Undgå at arbejde i unormale kroppsstillinger. Sørg for at stå sikkert, mens der arbejdes, og kom ikke ud af balance.** Det er derved nemmere at kontrollere elværktøjet, hvis der skulle opstå uventede situationer.
- ▶ **Brug egnet arbejdstøj. Undgå løse beklædningsgenstande eller smykker. Hold hår, tøj og handsker væk fra dele, der bevæger sig.** Dele, der er i bevægelse, kan gribe fat i løstsiddende tøj, smykker eller langt hår.
- ▶ **Hvis støvudsugnings- og opsamlingsudstyr kan monteres, er det vigtigt, at dette tilsluttes og benyttes korrekt.** Ved at anvende en støvudsugning er det muligt at nedsætte risiciene som følge af støv.
- ▶ **Man må ikke ignorere sikkerhedsreglerne for elværktøj, heller ikke selvom man er fortrolig med brugen af elværktøjet.** Uagtsomhed kan medføre alvorlig tilskadekomst inden for få sekunder.



Anvendelse og pleje af elværktøjet

- ▶ **Undgå at overbelaste maskinen. Brug altid en maskine, der er beregnet til det stykke arbejde, der skal udføres.** Med det rigtige værktøj arbejder man bedst og mest sikkert inden for det angivne effektområde.
- ▶ **Brug ikke elværktøj, hvis afbryderen er defekt.** En maskine, der ikke kan startes og stoppes, er farlig og skal repareres.
- ▶ **Træk stikket ud af stikkontakten, og/eller fjern batteriet fra maskinen, inden du foretager indstillinger på den, skifter tilbehør og dele eller lægger den til side.** Disse sikkerhedsforanstaltninger forhindrer utilsigtet start af elværktøjet.
- ▶ **Opbevar ubenyttede elværktøjer uden for børns rækkevidde. Lad aldrig personer, der ikke er fortrolige med maskinen eller ikke har gennemlæst sikkerhedsanvisningerne, benytte denne.** Elværktøj er farligt, hvis det benyttes af ukyndige personer.
- ▶ **Sørg for at pleje elværktøj omhyggeligt. Kontrollér, om bevægelige dele fungerer korrekt og ikke sidder fast, og om delene er brækket eller beskadiget, således at elværktøjets funktion påvirkes. Få beskadigede dele repareret, inden elværktøjet tages i brug.** Mange uheld skyldes dårligt vedligeholdte elværktøjer.
- ▶ **Sørg for, at skæreværktøjer er skarpe og rene.** Omhyggeligt vedligeholdte skæreværktøjer med skarpe skærekanter sætter sig ikke så hurtigt fast og er nemmere at føre.
- ▶ **Anvend elværktøj, tilbehør, indsatsværktøj osv. i overensstemmelse med disse anvisninger. Tag hensyn til arbejdsforholdene og det arbejde, der skal udføres.** I tilfælde af anvendelse af maskinen til formål, som ligger uden for det fastsatte anvendelsesområde, kan der opstå farlige situationer.
- ▶ **Sørg for, at greb og gribeblader er tørre, rene og fri for olie og fedt.** Glatte greb og gribeblader gør betjeningen usikker, og det kan være svært at styre elværktøjet i uforudsete situationer.

Service

- ▶ **Sørg for, at elværktøjet kun repareres af kvalificerede fagfolk, og at der altid benyttes originale reservedele.** Dermed sikres størst mulig elværktøjssikkerhed.

2.2 Sikkerhedsanvisninger til hamre

Sikkerhedsanvisninger for alle opgaver

- ▶ **Brug høreværn.** Støjpåvirkningen kan medføre høretab.
- ▶ **Brug de ekstrahåndgreb, som følger med maskinen.** Hvis du mister kontrollen, kan det medføre personskader.
- ▶ **Hold kun maskinen i de isolerede håndtag, når du udfører arbejder, hvor indsatsværktøjet kan ramme skjulte elledninger eller maskinens netkabel.** Ved kontakt med en spændingsførende ledning kan også metalliske værktøjsdele sættes under spænding, hvilket kan medføre elektrisk stød.

2.3 Yderligere sikkerhedsanvisninger

Personlig sikkerhed

- ▶ Anvend kun produktet i teknisk fejlfri stand.
- ▶ Foretag aldrig manipulationer eller ændringer på produktet.
- ▶ Ved gennembrydningsarbejde skal du huske at sikre området på den modsatte side. Nedbrydningsdele kan falde ud og/eller ned og volde skade på andre personer.
- ▶ Kontrollér, at sidegrebet er monteret rigtigt og fastgjort korrekt. Hold altid fast i produktet med begge hænder på de dertil beregnede håndtag. Hold håndtagene tørre, rene og fri for olie og fedt.
- ▶ Anvend kun **Hilti**-mejsler med TE-H-forbindelsesende til dette produkt.
- ▶ Udskift kun mejslen med værktøjet i vandret position, aldrig lodret.
- ▶ Før mejslen ind i værktøjsholderen, indtil denne går i indgreb med et hørbart klik, og den gule advarselsring ikke længere kan ses.
- ▶ Kontrollér, at mejslen går korrekt i indgreb. **VIGTIG:** Hvis mejslen ikke er sikret, kan der pludselig opstå farlige situationer!
- ▶ Start kun dette produkt, når det står i arbejdsposition, ikke i transportposition!
- ▶ Hold pauser under arbejdet, og lav øvelser, så dine fingre får en bedre blodgennemstrømning. Ved længerevarende arbejde kan vibrationer medføre forstyrrelser af fingrenes, hændernes eller håndleddenes blodkar og nervesystem.
- ▶ Maskinen må ikke anvendes af børn, svagelige personer eller personer, der ikke er instrueret i brugen.
- ▶ Maskinen skal opbevares uden for små børns rækkevidde.



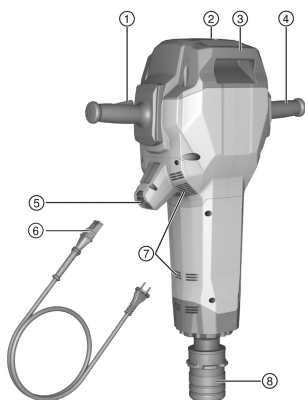
- ▶ Find ud af, hvilken fareklasse det støv, der opstår ved arbejdet, har, inden du går i gang med arbejdet. Anvend en industristøvsuger med en officielt tilladt beskyttelsesklassificering, som opfylder de lokale støvbeskyttelsesbestemmelser.
- ▶ Anvend så vidt muligt støvudsugning og en egnet mobil støvsuger. Støv fra materialer såsom blyholdig maling, visse træsorter, beton / murværk / natursten, som indeholder kvarts, og mineraler samt metal kan være sundhedsfarlige.
- ▶ Sørg for en god ventilation af arbejdspladsen, og brug om nødvendigt et åndedrætsværn, som egner sig til den pågældende støvtype. Berøring eller indånding af støv kan medføre allergiske reaktioner og/eller luftvejssygdomme hos brugeren eller personer, der opholder sig i nærheden. Bestemte støvtyper, f.eks. støv fra ege- og bøgetræ, er kræftfremkaldende, især i forbindelse med tilsætningsstoffer til træbehandling (kromat, træbeskyttelsesmidler). Asbestholdige materialer må kun håndteres af fagfolk.

Elektrisk sikkerhed

- ▶ Kontrollér før påbegyndelse af arbejdet arbejdsområdet for skjulte elektriske ledninger, gas- og vandrør, f.eks. med en metaldetektor. Uvendige metaldele på maskinen kan medføre elektrisk stød, hvis du ved en fejl kommer til at beskadige en elledning.
- ▶ Kontrollér produktets tilslutningsledning regelmæssigt, og få den udskiftet, hvis den er beskadiget. Hvis tilslutningskablet til det elektriske værktøj er ødelagt, skal det udskiftes med en særlig og godkendt tilslutningsledning, der fås i kundeserviceafdelingen. Kontrollér jævnligt forlængerledningerne, og udskift dem, hvis de er beskadigede. Hvis el- eller forlængerledningen bliver beskadiget under arbejdet, må du ikke røre ved ledningen. Træk stikket ud af stikkontakten. Beskadigede netledninger og forlængerledninger medfører fare for at få elektrisk stød.
- ▶ Få med regelmæssige mellemrum **Hilti Service** til at kontrollere tilsmudset elværktøj ved hyppig bearbejdning af ledende materialer. Hvis der sidder støv, først og fremmest fra ledende materialer, på maskinens overflade, eller den er fugtig, er der under uheldige omstændigheder risiko for at få elektrisk stød.
- ▶ Sluk elværktøjet ved strømafbrydelser, og træk netstikket ud. Dette forhindrer utilsigtet ibrugtagning af produktet, når strømmen vender tilbage.

3 Beskrivelse

3.1 Produktoversigt



- ① Håndtag med tænd/sluk-knap
- ② Serviceindikator
- ③ Bæregreb
- ④ Håndtag
- ⑤ Stikforbindelse netkabel
- ⑥ Netkabel med kodet stikforbindelse
- ⑦ Ventilationsåbning
- ⑧ Værktøjsholder

3.2 Oversigt over transportvogn

- ① Håndtag
- ② Lastsikring
- ③ Låsebøjle
- ④ Holder til forbrugsmateriale (mejsel)
- ⑤ Hjul
- ⑥ Hjulsikring (skive, split)
- ⑦ Holdedorn
- ⑧ Bæregreb



3.3 Tilsigtet anvendelse

Det beskrevne produkt er en håndført mejselhammer med 28 mm sekskantet værktøjsholder. Det er beregnet til mejselopgaver i beton, murværk og asfalt. Andre anvendelsesmuligheder er stampning og gravning.

- Maskinen må kun sluttes til den netspænding og -frekvens, som er angivet på typeskiltet.

3.4 Potentiel forkert brug

Dette produkt egner sig ikke til bearbejdning af sundhedsskadelige materialer.

Dette produkt egner sig ikke til arbejde i fugtige miljøer.

3.5 Serviceindikator

Mejselhammeren er udstyret med en serviceindikator med lyssignal.

Tilstand	Betydning
Serviceindikatoren lyser rødt.	<ul style="list-style-type: none"> • Tidspunktet for service er nået. Indlever dit produktet hos Hilti Service. • Skader på produktet. Indlever dit produktet hos Hilti Service.
Serviceindikatoren blinker rødt.	<ul style="list-style-type: none"> • Midlertidig fejl. Vent 10 sekunder, indtil lampen holder op med at blinke. • Træk stikket ud af stikkontakten, hvis lampen ikke holder op med at blinke efter 10 sek., og vent 2 minutter. • Indlevér produktet til Hilti Service, hvis lampen ikke holder op med at blinke.
Standbylampen blinker grønt.	<ul style="list-style-type: none"> • Overophedningsbeskyttelse. • Lad produktet køle af.
Standbylampen lyser grønt.	Produktet er klar til brug.



Indlever dit produktet hos **Hilti Service** i god tid. På den måde er det altid klar til brug.

3.6 Active Vibration Reduction

Produktet er udstyret med et Active Vibration Reduction (AVR)-system, som reducerer vibrationsniveauet markant.

3.7 Leveringsomfang

Mejselhammer, brugsanvisning, fedt.

Transportvognen fås som ekstratilbehør.



Andre systemprodukter, som er godkendt til dit produkt, finder du i **Hilti Store** eller på: www.hilti.group

4 Tekniske data



Nominal spænding, nominal strøm, frekvens og / eller nominelt strømforbrug fremgår af det landespecifikke typeskilt.

Ved drift på en generator eller transformator skal dennes udgangseffekt være mindst dobbelt så høj som det nominelle strømforbrug, der fremgår af maskinens typeskilt. Transformatorens eller generatorens driftsspænding skal til enhver tid ligge inden for +5 % og -15 % af maskinens nominelle spænding.

	TE 3000-AVR
Vægt i henhold til EPTA-procedure 01	27,1 kg
Enkeltslagsenergi i henhold til EPTA-procedure	85 J



	TE 3000-AVR
Opbevaringstemperatur	-20 °C ... 70 °C
Omgivende temperatur under drift	-20 °C ... 55 °C

4.1 Støjinformation og vibrationsværdier iht. EN 60745

Lydtryk- og vibrationsværdier i denne brugsanvisning er målt i henhold til en standardiseret målemetode og kan anvendes til sammenligning af forskellige elværktøjer. De kan også anvendes til en foreløbig vurdering af den eksponering, brugeren udsættes for. De anførte data repræsenterer elværktøjets primære anvendelsesformål. Hvis elværktøjet imidlertid anvendes til andre formål, med andre indsatsværktøjer eller utilstrækkelig vedligeholdelse, kan dataene afvige. Dette kan forøge den eksponering, som brugeren udsættes for, i hele arbejdstiden markant. For at opnå en præcis vurdering af den eksponering, som brugeren udsættes for, bør også den tid, hvor maskinen er slukket eller blot kører uden at blive anvendt, inddrages. Dette kan reducere den eksponering, som brugeren udsættes for, i hele arbejdstiden markant. Fastlæg yderligere sikkerhedsforanstaltninger til beskyttelse af brugeren mod støj- og/eller vibrationspåvirkninger, f.eks. er det vigtigt at vedligeholde elværktøj og indsatsværktøj, at holde hænderne varme og at organisere arbejdsprocesserne.

Støjinformation

Lydeffektniveau (L_{WA})	106 dB(A)
Usikkerhed, lydeffektniveau (K_{WA})	3 dB(A)
Lydtrykniveau (L_{pA})	95 dB(A)
Usikkerhed, lydtrykniveau (K_{pA})	3 dB(A)

Vibrationsinformation

Mejsling ($a_{h, cheq}$)	6,9 m/s ²
Usikkerhed (K)	1,5 m/s ²

4.2 Anvendelse af forlængerledning

ADVARSEL

Fare på grund af beskadigede ledninger! Hvis el- eller forlængerledningen bliver beskadiget under arbejdet, må du ikke røre ved ledningen. Træk stikket ud.

- ▶ Kontrollér maskinens tilslutningsledning regelmæssigt, og få den udskiftet, hvis den er beskadiget.
- Brug kun forlængerledninger med tilstrækkeligt ledningstværsnit, der er godkendt til det pågældende anvendelsesområde. I modsat fald kan der forekomme effekttab på maskinen og overophedning af ledningen.
- Kontrollér regelmæssigt forlængerledningen for beskadigelser.
- Udskift beskadigede forlængerledninger.
- Til udendørs brug må der kun anvendes forlængerledninger, som tydeligt er markeret og godkendt til udendørs brug.

Anbefalede minimale tværsnit og maksimale ledningslængder finder du bagest i denne dokumentation som QR-kode.

5 Forberedelse af arbejdet

FORSIGTIG

Fare for personskader! Utsigtet start af produktet.

- ▶ Træk stikket ud af stikkontakten, inden du foretager indstillinger eller skifter tilbehørsdele.

Følg sikkerheds- og advarselshenvisningerne i denne dokumentation og på produktet.

5.1 Indsatsværktøj



Anvend kun **Hilti**-mejsler med **TE-H**-forbindelsesende til dette produkt.

Andre mejsler kan ikke fastgøres korrekt, og den gule advarselsring på værktøjets låsemekanisme forbliver synlig. Den viser, at indsatsværktøjet ikke egner sig til denne mejselhammer!



- ▶ Kontrollér hver gang før brug, at den gule advarselsring på værktøjets låsemekanisme ikke kan ses.

5.2 Isætning af indsatsværktøj 4



Kontrollér værktøjet for skader og ujævn slitage før hver ibrugtagning, og udskift det om nødvendigt.

1. Smør indsatsværktøjets indstiksende med et tyndt lag fedt.
2. Før mejslen med **TE-H**-forbindelsesenden ind i værktøjsholderen, indtil denne går i indgreb med et hørbart klik, og den gule advarselsring ikke længere kan ses.
3. Kontrollér, at værktøjet sidder sikkert fast ved at trække i det.



Anvend kun originalt fedt fra **Hilti**. Hvis der anvendes en fedttype, som ikke egner sig, kan det medføre skader på produktet.

5.3 Tilslutning af aftageligt netkabel 5



FORSIGTIG

Fare for personskader på grund af krybe strøm ved tilsmudsede kontakter.

- ▶ Slut kun den aftagelige elstikforbindelse til den elektriske maskine i ren, tør og spændingsfri tilstand.

1. Sæt den kodede, aftagelige elektriske stikforbindelse helt ind i maskinen, indtil låsemekanismen går hørbart i indgreb.
2. Sæt stikket i stikkontakten.



Hilti anbefaler altid at lade det aftagelige netkabel blive siddende i værktøjet. Det aftagelige netkabel skal kun trækkes ud ved brud/beskadigelse.

6 Arbejde



ADVARSEL

Fare på grund af beskadigede ledninger! Hvis netkablet eller forlængerledningen bliver beskadiget under arbejdet, skal du omgående afbryde maskinen og kablet fra lysnettet. Berør ikke det defekte sted!

- ▶ Kontrollér regelmæssigt alle tilslutningsledninger. Udskift defekte forlængerledninger. Få beskadigede netkabler udskiftet af en autoriseret elektriker.

Det anbefales at anvende et fejlstrømsrelæ (HFI) med en brydestrøm på maks. 30 mA.

6.1 Start af mejselhammer 6

1. Tryk hårdt på håndtaget og tænd/sluk-knappen på samme tid.
 - ▶ Mejselhammeren starter.
2. Hold tænd/sluk-knappen inden under arbejdet.
 - ▶ Endvidere kan du ved at trykke hårdt på håndtaget styre maskinens ydelse.



Ved pauser over 1 minut skifter maskinen tilbage i startindstilling. For at genstarte maskinen skal du igen trykke hårdt på håndtaget og tænd/sluk-knappen.

6.2 Mejsling 7



Mejslen kan indstilles i 6 forskellige positioner (i trin på 60°). Dette gør, at man med flad- og formmejsler altid kan arbejde i den korrekte arbejdsstilling.

1. Sæt stikket i stikkontakten.
2. Sæt mejslen på ca. 80-100 mm (3 1/8" - 4") fra kanten.
3. Tryk hårdt på håndtaget og tænd/sluk-knappen.



4. Begynd mejseloppgaven i en vinkel på 90° i forhold til betonoverfladen, og ret spidsen hen imod kanten. Bevæg derefter vinklen i retning af 70° til 80°, og bryd materialet løs.
 - ▶ Ved armeringsjern skal du altid føre mejslen hen imod kanten af materialet, ikke hen imod armeringsjernet.

**Arbejde ved lave temperaturer:**

Maskinens slagmekanisme kan kun arbejde over en bestemt minimumtemperatur. For at opnå denne skal du kortvarigt sætte maskinen på underlaget og lade den køre i tomgang. Gentag om nødvendigt dette, indtil slagmekanismen fungerer.

6.3 Udtagning af indsatsværktøj

**ADVARSEL**

Fare for personskader Værktøjet bliver varmt under brug og kan have skarpe kanter.

- ▶ Brug beskyttelseshandsker, når du skifter værktøj.

1. Træk stikket ud af stikkontakten.
2. Træk værktøjslåsen tilbage indtil anslag.
3. Tag indsatsværktøjet ud.
4. **VIGTIGT!** Læg ikke det varme værktøj på let antændelige materialer.

6.4 Adskillelse af det aftagelige netkabel fra den elektriske maskine

1. Træk stikket ud af stikkontakten.
2. Tryk på låseknappen, og træk den kodede, aftagelige elektriske stikforbindelse ud.
3. Træk netkablet ud af maskinen.



Hilti anbefaler altid at lade det aftagelige netkabel blive siddende i værktøjet. Det aftagelige netkabel skal kun trækkes ud ved brud/beskadigelse.

7 Rengøring og vedligeholdelse

**ADVARSEL**

Fare på grund af elektrisk stød! Pleje og vedligeholdelse med isat netstik kan medføre alvorlige personskader og forbrændinger.

- ▶ Træk altid netstikket ud før alle pleje- og vedligeholdelsesarbejder!

Pleje

- Fjern forsigtigt fastsiddende snavs.
- Rengør forsigtigt ventilationsåbningerne med en tør børste.
- Rengør kun kabinettet med en let fugtet klud. Undlad at anvende silikoneholdige plejemidler, da de kan angribe plastdelene.

Vedligeholdelse

**ADVARSEL**

Fare for elektrisk stød! Fagmæssigt ukorrekte reparationer på elektriske dele kan medføre alvorlige personskader og forbrændinger.

- ▶ Reparationer på eldelene må kun udføres af en elektriker.
- Kontrollér regelmæssigt alle synlige dele for skader, og at betjeningselementerne fungerer fejlfrit.
- Anvend ikke produktet i tilfælde af beskadigelse og/eller funktionsfejl. Få omgående udført reparation hos **Hilti Service**.
- Monter alle beskyttelsesanordninger efter pleje- og vedligeholdelsesarbejder, og kontrollér dem for funktion.



Anvend kun originale reservedele og forbrugsmaterialer af hensyn til en sikker drift. Reservedele, forbrugsmaterialer og tilbehør til dit produkt, som vi har godkendt, finder du i dit **Hilti Store Center** eller under: www.hilti.group.



8 Transport og opbevaring

Transport

- ▶ Transportér ikke dette produkt med isat værktøj.
- ▶ Sørg for sikker fastgørelse under transport.
- ▶ Kontrollér hver gang efter transport alle synlige dele for skader og betjeningselementerne for fejlfri funktion.

Opbevaring

- ▶ Opbevar altid dette produkt med netstikket trukket ud.
- ▶ Opbevar dette produkt på et tørt og utilgængeligt sted for børn og uvedkommende personer.
- ▶ Kontrollér efter længerevarende opbevaring alle synlige dele for skader og betjeningselementerne for fejlfri funktion.

8.1 Transport med transportvogn

ADVARSEL

Fare for personskader på grund af høj vægt Mejselhammeren er tung.

- ▶ Anvend så vidt muligt altid transportvognen. Hvis der ikke står nogen transportvogn til rådighed, skal mejselhammeren altid transporteres af to personer.



Stil ikke transportvognen på skrånende underlag.

Sørg for, at transportvognen står på et stabilt underlag.

Vælg sikre transportveje.

1. Anbring mejselhammeren på transportvognens holdedorn.
2. Fastgør mejselhammeren med låsebøjlen under transporten.
3. Sæt mejslen i holderen til forbrugsmateriale, og sørg for, at den er i låst position.

9 Fejlafhjælpning

Ved fejl, som ikke fremgår af denne tabel, eller som du ikke selv kan afhjælp, beder vi dig om at kontakte **Hilti Service**.

9.1 Fejlsøgning

Fejl	Mulig årsag	Løsning
Mejselhammeren starter ikke.	Elektronikken initialiseres (op til ca. 4 sekunder fra isætning af stikket)	▶ Sluk maskinen, og tænd den igen.
	Netstrømforsyningen afbrudt	▶ Tilslut en anden elektrisk maskine, og kontrollér dennes funktion.
	Den elektroniske startspærre efter en strømafbrydelse er aktiveret	▶ Sluk maskinen, og tænd den igen.
	Generatoren er i Sleep Mode	▶ Belast generatoren med endnu en forbruger (f.eks. en arbejds-lampe). Sluk derefter maskinen, og tænd den igen.
	Aftageligt netkabel ikke isat korrekt	▶ Tilslut det aftagelige netkabel korrekt på den elektriske maskine.
Serviceindikatoren lyser rødt.	Maskinen er beskadiget, eller tidspunktet for service er nået	▶ Produktet må kun repareres af Hilti Service .



Fejl	Mulig årsag	Løsning
Serviceindikatoren blinker rødt.	Midlertidig fejl	<ul style="list-style-type: none"> ▶ Vent 10 sekunder, indtil lampen holder op med at blinke. ▶ Træk stikket ud af stikkontakten, hvis lampen ikke holder op med at blinke efter 10 sek., og vent 2 minutter. ▶ Indlever produktet til Hilti Service, hvis lampen ikke holder op med at blinke.
	Strømforsyningen har for høj spænding	<ul style="list-style-type: none"> ▶ Udskift stikdåsen. Kontrollér nettet.
Standbylampen blinker grønt.	Overophedningsbeskyttelse	<ul style="list-style-type: none"> ▶ Lad produktet køle af. ▶ Rengør ventilationsåbningerne. Drift er fortsat mulig i tomgang.
Ingen slagfunktion.	Maskinen er for kold	<ul style="list-style-type: none"> ▶ Sæt mejselhammeren på underlaget, og lad den køre i tomgang. Gentag om nødvendigt proceduren, indtil slagmekanismen arbejder.
Mejselhammeren slår med stærkt nedsat frekvens.	Tomslag (mejslen slår ikke på hårdt underlag)	<ul style="list-style-type: none"> ▶ Slip afbryderen, og start maskinen igen, eller: ▶ Tryk også håndgrebet helt i bund, mens afbryderen er trykket ind.
Mejselhammeren vil ikke starte eller slår fra under drift.	Forlængerledning for lang og / eller med for lille tværsnit	<ul style="list-style-type: none"> ▶ Anvend en forlængerledning med godkendt længde og / eller med tilstrækkeligt tværsnit.

10 Bortskaffelse

Størstedelen af de materialer, som anvendes ved fremstillingen af **Hilti**-produkter, kan genvindes. Materialerne skal sorteres, før de kan genvindes. I mange lande modtager **Hilti** dine udtjente maskiner med henblik på genvinding. Spørg **Hilti** kundeservice eller din forhandler.



- ▶ Elværktøj, elektriske maskiner og batterier må ikke bortskaffes sammen med almindeligt husholdningsaffald!

11 RoHS (direktiv til begrænsning af anvendelsen af farlige stoffer)

Under følgende link finder du tabellen med farlige stoffer: qr.hilti.com/r11668382.

Et link til RoHS-tabellen finder du i slutningen af denne dokumentation som QR-kode.

12 Producentgaranti

- ▶ Hvis du har spørgsmål vedrørende garantibetingelserne, bedes du henvende dig til din lokale **Hilti**-partner.



Originalbruksanvisning

1 Uppgifter för dokumentation

1.1 Om denna dokumentation

- Läs denna dokumentation innan du börjar ta enheten i drift. Det är en förutsättning för säkert arbete och problemfri hantering.
- Observera de säkerhets- och varningsanvisningar som du hittar i dokumentationen och på själva enheten.
- Förvara alltid bruksanvisningen tillsammans med produkten och överlämna aldrig produkten till någon annan utan att bifoga den.

1.2 Teckenförklaring

1.2.1 Varningar

Varningarna är till för att varna för risker i samband med användning av produkten. Följande riskindikeringar används:



FARA

FARA !

- ▶ Anger överhängande risker som kan leda till svåra personskador eller dödsolycka.



VARNING

VARNING !

- ▶ Anger potentiella risker som kan leda till svåra personskador eller dödsfall.



FÖRSIKTIGHET

FÖRSIKTIGHET !

- ▶ Används för att uppmärksamma om en potentiell risksituation som kan leda till skador på person eller utrustning.

1.2.2 Symboler i dokumentationen

I den här dokumentationen används följande symboler:



Läs bruksanvisningen före användning



Anmärkningar och annan praktisk information



Hantering av återvinningsbara material



Elverktyg och batterier får inte kastas i hushållssoporna

1.2.3 Symboler i bilderna

Följande symboler används i bilder:



Dessa siffror hänvisar till motsvarande bild i början av bruksanvisningen

3

Numreringen återger ordningsföljden hos arbetsmomenten på bilden och kan skilja sig från arbetsmomenten i texten



På bilden **Översikt** används positionsnummer som hänvisar till siffrorna i teckenförklaringen i avsnittet **Produktöversikt**






Det här tecknet är till för att du ska vara extra uppmärksam på något som gäller hur du hanterar produkten.



1.3 Symboler på produkten

1.3.1 Symboler på produkten

Följande symboler kan användas på produkten:

	Isolationsklass II (dubbelisolerad)
	Använd inte lyftkran för transport
	Trådlös dataöverföring

1.4 Produktinformation

HILTI-produkter är avsedda för professionella användare och får endast användas, underhållas och repareras av auktoriserad, utbildad personal. Personalen måste vara särskilt informerad om de risker som finns. Produkten och dess tillbehör kan utgöra en risk om den används på ett felaktigt sätt av utbildad personal eller inte används enligt föreskrifterna.

Typbeteckning och serienummer anges på typskylten.

- ▶ Använd de serienummer som anges i följande tabell. Du behöver produktuppgifterna när du kontaktar vår återförsäljare eller serviceverkstad.

Produktdetaljer

Mejselhammare	TE 3000-AVR
Generation	03
Serienr	

1.5 Försäkran om överensstämmelse

Vi försäkras på eget ansvar att den produkt som beskrivs här överensstämmer med gällande direktiv och standarder. En bild på försäkran om överensstämmelse hittar du i slutet av dokumentationen.

Den tekniska dokumentationen finns sparad här:

Hilti Entwicklungsgesellschaft mbH | Zulassung Geräte | Hiltistraße 6 | 86916 Kaufering, Tyskland

2 Säkerhet

2.1 Allmänna säkerhetsföreskrifter för elverktyg

⚠ WARNING Läs noga igenom alla säkerhetsföreskrifter, anvisningar, avbildningar och tekniska data som medföljer detta elverktyg. Om nedanstående anvisningar inte följs, finns risk för elektriska stötar, brand och/eller svåra skador.

Förvara alla säkerhetsföreskrifter och anvisningarna på ett säkert ställe för framtida användning.

Begreppet "elverktyg" som används i säkerhetsföreskrifterna avser nätdrivna elverktyg (med nätkabel) och batteridrivna elverktyg (sladdlösa).

Säker arbetsmiljö

- ▶ **Håll arbetsområdet rent och väl belyst.** Oordning eller bristfällig belysning på arbetsplatsen kan leda till olyckor.
- ▶ **Arbeta inte med elverktyget i omgivningarna med explosionsrisk där det finns brännbara vätskor, gaser eller damm.** Elverktyg alstrar gnistor som kan antända dammet eller gaserna.
- ▶ **Håll barn och obehöriga personer på betryggande avstånd under arbetet med elverktyget.** Om du störs av obehöriga personer kan du förlora kontrollen över verktyget.

Elsäkerhet

- ▶ **Elverktygets elkontakt måste passa till vägguttaget. Elkontakten får absolut inte ändras. Använd inte adapterkontakter tillsammans med skyddsjordade elverktyg.** Originalkontakter och lämpliga vägguttag minskar risken för elstötar.
- ▶ **Undvik kroppskontakt med jordade ytor som rör, värmeelement, spisar och kylskåp.** Det finns en större risk för elstötar om din kropp är jordad.
- ▶ **Skydda elverktyget från regn och väta.** Tränger vatten in i ett elverktyg ökar risken för elstötar.
- ▶ **Använd inte anslutningskabeln på ett felaktigt sätt, t.ex. genom att bära eller hänga upp elverktyget i den eller dra i den för att lossa elkontakten ur vägguttaget. Håll anslutningskabeln på avstånd**



från värmekällor, olja, vassa kanter och rörliga delar. Skadade eller tilltrasslade anslutningskablar ökar risken för elstötar.

- ▶ **När du arbetar med ett elverktyg utomhus, använd endast förlängningskablar som är avsedda för utomhusbruk.** Genom att använda en lämplig förlängningskabel för utomhusbruk minskar du risken för elstötar.
- ▶ **Om det är alldeles nödvändigt att använda verktyget i fuktig miljö ska du använda en jordfelsbrytare.** Användning av jordfelsbrytare minskar risken för elstötar.

Personsäkerhet

- ▶ **Var uppmärksam, ha uppsikt över vad du gör och använd elverktyget med förnuft. Använd aldrig elverktyg om du är trött eller påverkad av droger, alkohol eller medicin.** En kort sekund av bristande uppmärksamhet när du arbetar med ett elverktyg kan leda till att du skadar dig själv eller någon annan svårt.
- ▶ **Bär alltid personlig skyddsutrustning och skyddsglasögon.** Genom att använda personlig skyddsutrustning som t.ex. dammskyddsmask, halkfria säkerhetsskor, hjälm eller hörselskydd, beroende på vilket elverktyg du använder och till vad, minskar du risken för kroppsskada.
- ▶ **Undvik oavsiktlig igångsättning. Se till att elverktyget är frånkopplat innan du ansluter det till nätströmmen och/eller batteriet, tar upp det eller bär det.** Om du bär elverktyget med fingret på strömbrytaren eller ansluter ett tillkopplat verktyg till nätströmmen kan en olycka inträffa.
- ▶ **Ta bort alla inställningsverktyg och skruvnycklar innan du kopplar in elverktyget.** Ett verktyg eller en nyckel i en roterande komponent kan leda till skador.
- ▶ **Undvik en onormal kroppshållning. Se till att du står stadigt och håller balansen.** Då kan du lättare kontrollera elverktyget i oväntade situationer.
- ▶ **Bär lämpliga kläder. Bär inte löst hängande kläder eller smycken. Håll håret, kläderna och händerna på avstånd från rörliga delar.** Löst hängande kläder, smycken och långt hår kan dras in av roterande delar.
- ▶ **När du använder elverktyg med anordningar för uppsugning och uppsamling av damm, bör du kontrollera att dessa anordningar är rätt monterade och används korrekt.** Används en dammsugare kan faror som orsakas av damm minskas.
- ▶ **Invagga dig inte i falsk säkerhet och strunta inte säkerhetsreglerna för elverktyg även om du har stor vana vid att arbeta med elverktyget.** Oförsiktig hantering kan leda till allvarliga skador inom bråkdelar av en sekund.

Användning och hantering av elverktyg

- ▶ **Överbelasta inte verktyget. Använd elverktyg som är avsedda för det aktuella arbetet.** Med ett lämpligt elverktyg kan du arbeta bättre och säkrare inom angivet effektområde.
- ▶ **Använd aldrig elverktyget om strömbrytaren är defekt.** Ett elverktyg som inte kan kopplas in eller ur är farligt och måste repareras.
- ▶ **Dra ut elkontakten ur uttaget och/eller ta i förekommande fall bort det löstagbara batteriet innan du gör inställningar, byter tillbehör eller lägger ifrån dig verktyget.** Denna skyddsåtgärd förhindrar att du eller någon annan råkar sätta igång elverktyget av misstag.
- ▶ **Förvara elverktyg oåtkomligt för barn. Verktyget får inte användas av personer som inte är vana eller inte har läst dessa anvisningar.** Elverktyg är farliga om de används av oerfarna personer.
- ▶ **Underhåll elverktygen och tillbehören noggrant. Kontrollera att rörliga komponenter fungerar felfritt och inte kärvar och att komponenter inte har brustit eller skadats så att elverktygets funktion påverkas negativt. Se till att skadade delar repareras innan verktyget används igen.** Många olyckor orsakas av dåligt skötta elverktyg.
- ▶ **Håll insatsverktygen skarpa och rena.** Omsorgsfullt skötta insatsverktyg med skarpa eggar kommer inte så lätt i kläm och går lättare att styra.
- ▶ **Använd elverktyg, tillbehör, insatsverktyg osv. enligt dessa anvisningar. Ta hänsyn till arbetsvillkoren och arbetsmomenten.** Används elverktyget på icke ändamålsenligt sätt kan farliga situationer uppstå.
- ▶ **Se till att handtaget och greppytorna är torra, rena och fria från olja och fett.** Med hala handtag och gripwort går det inte att hantera och kontrollera elverktyget säkert i oväntade situationer.

Service

- ▶ **Låt endast kvalificerad fackpersonal reparera elverktyget och använd då endast originalreservdelar.** Detta garanterar att elverktygets säkerhet upprätthålls.

2.2 Säkerhetsföreskrifter för hammare

Säkerhetsanvisningar för alla arbeten

- ▶ **Bär hörselskydd.** Buller kan leda till hörselskador.



- ▶ **Använd de extrahandtag som levereras tillsammans med verktyget.** Tappar du kontrollen över verktyget kan det leda till skador.
- ▶ **Håll i verktygets isolerade greppytor vid arbeten där du riskerar att träffa dolda elkablar eller den egna nätkabeln.** Vid kontakt med en spänningssatt ledning kan metalldelar på verktyget spänningssättas och ge dig en stöt.

2.3 Extra säkerhetsföreskrifter

Personsäkerhet

- ▶ Använd verktyget bara om det är fullt funktionsdugligt.
- ▶ Produkten får inte byggas om eller ändras.
- ▶ Vid genombrottsarbeten, tänk på att säkra området på motstående sida. Annars finns det risk för att det material som lossnar ramlar ner eller skjuter iväg och skadar människor i närheten.
- ▶ Kontrollera att sidohandtaget är korrekt monterat och ordentligt fastsatt. Håll alltid produkten i handtagen med båda händerna. Se till att handtaget är torrt, rent och fritt från olja och fett.
- ▶ Använd bara **Hilti**-mejslar med TE-H-fäste med den här produkten.
- ▶ Byt endast mejsel när verktyget är horisontellt, aldrig när det är vertikalt.
- ▶ Stick in mejseln i chucken tills den hakar fast med ett hörbart klick och den gula varningsringen inte längre syns.
- ▶ Kontrollera att mejseln har snäppt fast ordentligt. **WARNING!** Om mejseln inte sitter fast ordentligt kan farliga situationer uppstå.
- ▶ Starta bara produkten i arbetsläge. Produkten får aldrig startas i transportläge.
- ▶ Gör pauser i arbetet och utför fingerövningar som ökar blodgenomströmningen i fingrarna. Vid långvarigt, ihållande arbete kan vibrationerna ge besvär i blodkärl och nerver i fingrarna, händerna och handlederna.
- ▶ Verktyget är inte avsett att användas av barn, personer med funktionshinder eller utbildade personer.
- ▶ Använd inte verktyget när barn finns i närheten.
- ▶ Ta bort de dammpartiklar som har uppstått innan arbetet i riskklassen startas. Använd en byggdammsugare med en standardskyddsklassificering som motsvarar de lokala dammskyddsbestämmelserna.
- ▶ Använd om möjligt dammsugning med en lämplig dammsugare. Damm från material med blyhaltig färg, vissa träslag, betong, tegel, sten som innehåller kvarts, mineraler och metall kan vara hälsovådliga.
- ▶ Se till att arbetsplatsen har god ventilation, och använd vid behov en andningsmask som är avsedd för damm av det aktuella slaget. Beröring eller inandning av damm kan orsaka allergiska reaktioner och/eller sjukdomar i andningsvägarna hos användaren eller hos personer som befinner sig i närheten. Vissa slags damm, till exempel från ek eller bok, anses vara cancerframkallande, särskilt i kombination med tillsatssämnen för behandling av trä (kromat, träskyddsmedel). Asbesthaltigt material får bara hanteras av särskilt utbildad personal.

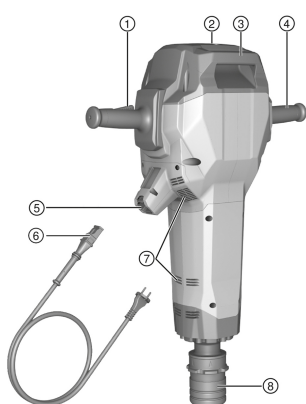
Elektrisk säkerhet

- ▶ Undersök om det finns dolda el-, gas- och vattenledningar inom arbetsområdet innan du påbörjar arbetet. Utanpåliggande metalldelar på verktyget kan orsaka elstötar om du oavsiktligt råkar skada en elledning.
- ▶ Kontrollera regelbundet produktens anslutningskabel och låt en behörig tekniker byta ut den om den är skadad. Om elverktygets anslutningskabel är skadad måste den bytas ut mot en för ändamålet avsedd och godkänd anslutningskabel som kan beställas via kundtjänst. Kontrollera förlängningskablarna regelbundet och byt ut dem om de är skadade. Rör inte vid nät- eller förlängningskabeln om den skadas under arbetet. Dra ut elkontakten ur uttaget. Skadade kablar och förlängningskablar utgör en risk för elstötar.
- ▶ Låt **Hilti**-service regelbundet kontrollera elverktyg som har blivit smutsiga vid upprepade bearbetning av ledande material. Om verktyget är täckt med damm av material med ledande förmåga eller om det är fuktigt kan du riskera att få en elektrisk stöt.
- ▶ Stäng av elverktyget och dra ut elkontakten vid strömavbrott. Detta förhindrar att verktyget kopplas på av misstag när strömmen kommer tillbaka.



3 Beskrivning

3.1 Produktöversikt 1



- ① Handtag med strömbrytare
- ② Serviceindikator
- ③ Bärhandtag
- ④ Handtag
- ⑤ Kontaktdon nätkabel
- ⑥ Nätkabel med kodat kontaktdon
- ⑦ Ventilationspringor
- ⑧ Chuck

3.2 Översikt transportvagn 2

- ① Grepp
- ② Laddningssäkring
- ③ Positionslås
- ④ Hållare för förbrukningsmaterial (mejsel)
- ⑤ Hjul
- ⑥ Hjulspärr (skiva, sprint)
- ⑦ Maskindorn
- ⑧ Bärhandtag

3.3 Avsedd användning

Produkten som beskrivs är en handhållen mejselhammare med en 28 mm sexkantschuck. Den är avsedd för mejslingsarbeten i betong, tegel och asfalt. Den kan även användas för stampning och schaktning.

- ▶ Använd bara verktyget anslutet till huvudnät med spänning och frekvens som stämmer överens med uppgifterna på verktygets typskylt.

3.4 Möjlig felanvändning

Den här produkten är inte avsedd för bearbetning av hälsovådliga material.

Den här produkten är inte avsedd att användas i fuktiga miljöer..

3.5 Serviceindikator

På mejselhammaren finns en serviceindikator med ljussignal.

Status	Betydelse
Serviceindikatorn lyser rött.	<ul style="list-style-type: none"> • Drifttiden för service har uppnåtts. Lämna in produkten till Hilti-service. • Skador på produkten. Lämna in produkten till Hilti-service.
Serviceindikatorn blinkar rött.	<ul style="list-style-type: none"> • Tillfälligt fel. Vänta 10 sekunder, tills lampan slutar blinka. • Om den inte slutar blinka efter 10 sekunder, dra ut elkontakten och vänta två minuter. • Lämna in produkten till Hilti-service om den inte slutar blinka.
Indikatorn driftklar blinkar grönt.	<ul style="list-style-type: none"> • Överhettningsskydd. • Låt produkten svalna.
Indikatorn driftklar lyser grönt.	Produkten är klar att användas.





Se till att lämna in produkten till **Hilti**-service i tid. På så sätt vet du att produkten alltid är driftklar.

3.6 Active Vibration Reduction

Produkten är utrustad med ett Active Vibration Reduction (AVR)-system som märkbart minskar vibrationerna.

3.7 Leveransinnehåll

Mejselhammare, bruksanvisning och fett.

Transportvagnen erbjuds som tillbehör.



Dessutom finns fler systemprodukter för din produkt både i närmaste **Hilti Store** och på nätet: www.hilti.group

4 Teknisk information



Märkspänning, märkström, frekvens och/eller märkeffekt finns angivet på den landsspecifika typskylten på ditt verktyg.

Om verktyget drivs via en generator eller transformator måste denna ha en uteffekt som är minst dubbelt så hög som den märkeffekt som finns angiven på verktygets typskylt. Transformatorns eller generatorns driftspänning måste alltid ligga inom +5 % och -15 % av verktygets märkspänning.

	TE 3000-AVR
Vikt enligt EPTA Procedure 01	27,1 kg
Enkelslagsenergi enligt EPTA Procedure	85 J
Förvaringstemperatur	-20 °C ... 70 °C
Omgivningstemperatur vid drift	-20 °C ... 55 °C

4.1 Bullerinformation och vibrationsvärden enligt EN 60745

De ljudtrycks- och vibrationsvärden som anges i anvisningarna har uppmätts med en standardiserad mätmetod och kan användas för att jämföra olika elverktyg med varandra. De kan också användas för att göra en preliminär uppskattning av exponeringarna. De angivna värdena representerar borrhammarens huvudsakliga användning. När elverktyget begagnas inom andra områden, med andra insatsverktyg eller med otillräckligt underhåll, kan mätning ge avvikande värden. Det innebär att exponeringen under den totala arbetstiden kan ökas betydligt. För att uppskattningen av exponeringarna ska bli exakt bör man också räkna in de tider då verktyget är fränkopplat, eller då det är tillkopplat men inte används. Detta kan minska exponeringen betydligt under den totala arbetstiden. Vidta även andra säkerhetsåtgärder för att skydda användaren mot effekterna av buller och/eller vibrationer, exempelvis: Underhåll av elverktyg och insatsverktyg, möjlighet att hålla händerna varma, organisation av arbetsförlöppen.

Bullerinformation

Ljudeffektnivå (L_{WA})	106 dB(A)
Osäkerhet ljudeffektnivå (K_{WA})	3 dB(A)
Ljudtrycksnivå (L_{pA})	95 dB(A)
Osäkerhet ljudtrycksnivå (K_{pA})	3 dB(A)

Vibrationsinformation

Mejsling ($a_n, Cheq$)	6,9 m/s ²
Osäkerhet (K)	1,5 m/s ²



4.2 Användning av förlängningskabel

VARNING

Fara på grund av skadad kabel! Om kabeln eller förlängningskabeln skadas under arbetet får du inte röra vid den. Dra ut kabeln ur uttaget.

- ▶ Kontrollera verktygets anslutningskabel regelbundet och låt en behörig fackman byta ut den om den är skadad.
- Använd endast för användningsområdet godkända förlängningskablar med tillräckligt stor ledningsarea. Annars finns risk för nedsatt verktygskapacitet och överhettning i kabeln.
- Kontrollera regelbundet att förlängningskabeln inte är skadad.
- Byt ut skadade förlängningskablar.
- Vid arbete utomhus, använd endast en förlängningskabel som är godkänd och märkt för detta ändamål.

Rekommenderade minsta tvärsnitt och maximala kabellängder finns i slutet av denna dokumentation i form av en QR-kod.

5 Förberedelser för arbete

FÖRSIKTIGHET

Risk för personskada! Oavsiktlig igångsättning av produkten.

- ▶ Dra alltid ur elsladden innan du gör några inställningar på verktyget eller byter tillbehördelar.

Observera de säkerhets- och varningsanvisningar som du hittar i dokumentationen och på själva enheten.

5.1 Insatsverktyg



Använd bara **Hilti**-mejslar med **TE-H**-fäste med den här produkten.

Andra mejslar kan inte låsas korrekt och den gula varningsringen på chuckhysan syns fortfarande. Den visar att insatsverktyget inte är lämpligt för denna mejselhammare.

- ▶ Kontrollera alltid att den gula varningsringen inte längre syns på chuckhysan innan du börjar arbeta.

5.2 Byta insatsverktyg



Kontrollera alltid verktyget innan du börjar använda det så att det inte är skadat eller ojämnt slitet. Byt ut det vid behov.

1. Fetta in insticksänden på insatsverktyget en aning.
2. Stick in mejseln med **TE-H**-fästet så långt i chucken tills den haka fast med ett hörbart klick och den gula varningsringen inte längre syns.
3. Dra in mejseln för att kontrollera att den sitter fast ordentligt.



Använd endast originalfett från **Hilti**. Användning av olämpligt fett kan orsaka skador på produkten.

5.3 Ansluta nätkabel med stickkontakt

FÖRSIKTIGHET

Risk för personskada på grund av läckström vid smutsiga kontakter.

- ▶ Se till att endast ansluta den löstagbara kontakten till elverktyget i rent, torrt och spänningslöst tillstånd.

1. För in den kodade avtagbara nätkabeln så långt det går i verktyget tills du hör att spärren hakar i.
2. Stick in kabeln i uttaget.



Hilti rekommenderar att du alltid lämnar nätkabeln med stickkontakt i verktyget. Nätkabeln med stickkontakt bör endast dras ur vid kabelbrott eller skador.



6 Arbeta

VARNING

Fara på grund av skadad kabel! Om nät- eller förlängningskabeln skadas under arbetet, dra genast ut verktyget och kabeln från eluttaget. Ta inte på det ställe där kabeln är skadad!

- ▶ Kontrollera regelbundet alla anslutningskablar. Byt ut defekta förlängningskablar. Lämna in verktyget på en godkänd verkstad för byte av nätkabel.

Vi rekommenderar att du använder en jordfelsbrytare (RCD) med högst 30 mA utlösningsström.

6.1 Starta mejselhammaren

1. Tryck ner handtaget och strömbrytaren tillsammans.
 - ▶ Mejselhammaren startar.
2. Håll strömbrytaren nedtryckt under hela arbetet.
 - ▶ Dessutom kan du styra enhetens prestanda genom att trycka ner handtaget.



Vid pauser som är längre än en minut går enheten tillbaka till startinställningarna. För att starta om måste handtaget och strömbrytaren tryckas ner igen.

6.2 Mejsling



Mejseln kan låsas fast i 6 olika lägen (i steg om 60°). Därigenom kan man alltid hitta en optimal arbetsställning vid arbete med flat- eller formmejsel.

1. Stick in elkontakten i uttaget.
2. Påbörja mejslingen cirka 80–100 mm (3 1/8"-4") från kanten.
3. Tryck in strömbrytaren på handtaget hela vägen.
4. Påbörja mejslingen i en vinkel på 90° mot betongytan och rikta spetsen mot kanten. Ändra sedan vinkeln mot 70° till 80° och bryt loss materialet.
 - ▶ Vid armeringsjärn, för alltid mejseln mot kanten på materialet, inte mot armeringsjärnet.



Arbeten vid låga temperaturer:


Maskinen kräver en viss drifttemperatur för att slagverket ska starta. För att uppnå denna kan du sätta an verktyget mot underlaget och låta det gå på tomgång. Upprepa tills slagmekanismen startas.

6.3 Ta ur insatsverktyg



VARNING

Risk för personskada Verktyget blir varmt när det används och kan ha vassa kanter.

- ▶ Använd skyddshandskar vid verktygsbyte.
1. Dra ut elkontakten ur uttaget.
 2. Dra tillbaka chuckhylsan så långt det går.
 3. Ta ur insatsverktyget.
 4.  **OBS!** Ställ inte det heta verktyget på lättantändligt material.

6.4 Dra ut nätkabel ur elverktyg

1. Dra ut elkontakten ur uttaget.
2. Tryck ner låsningsknappen och dra ut den kodade, avtagbara nätkabeln.
3. Dra ut nätkabeln ur verktyget.



Hilti rekommenderar att du alltid lämnar nätkabeln med stickkontakt i verktyget. Nätkabeln med stickkontakt bör endast dras ur vid kabelbrott eller skador.



7 Skötsel och underhåll

VARNING

Risk för elstötar! Vid skötsel och underhåll finns risk för svåra person- och brännskador om elkontakten inte dras ur.

- ▶ Dra alltid ur elkontakten före skötsel- och underhållsarbete.

Skötsel

- Ta försiktigt bort smuts som fastnat på laddaren.
- Rengör ventilationsspringorna försiktigt med en torr borste.
- Rengör höljet med en lätt fuktad trasa. Använd inte rengöringsmedel med silikon, eftersom det kan skada plastdelarna.

Underhåll

VARNING

Risk för elstöt! Felaktigt utförda reparationer på elektriska delar kan leda till svåra skador och brännskador.

- ▶ Reparationer på de elektriska delarna får endast utföras av behörig fackman.
- Kontrollera regelbundet att inga synliga delar har skadats och att alla reglage fungerar som de ska.
- Använd inte produkten om den uppvisar skador eller funktionsstörningar. Skicka den direkt till **Hilti Service** för reparation.
- Efter att skötsel- och underhållsarbete utförts ska alla skyddsanordningar alltid monteras och kontrolleras.



Använd endast originalreservdelar och förbrukningsmaterial för säker drift. Godkända reservdelar, förbrukningsmaterial och tillbehör till din produkt från oss hittar du i närmaste **Hilti Store** eller på: www.hilti.group.

8 Transport och förvaring

Transport

- ▶ Transportera aldrig produkten med ikopplat verktyg.
- ▶ Se till att produkten är stabilt placerad under transport.
- ▶ Kontrollera alltid att inga synliga delar har skadats under transporten och att reglagen fungerar som de ska.

Förvaring

- ▶ Förvara alltid produkten med nätkontakten utdragen.
- ▶ Förvara produkten torr och utom räckhåll för barn och obehöriga personer.
- ▶ Kontrollera att inga synliga delar har skadats och att reglagen fungerar som de ska efter att produkten förvarats under en längre tid.

8.1 Transport med transportvagn

VARNING

Risk för personskada på grund av hög vikt Mejselhammaren är tung.

- ▶ Använd alltid transportvagnen om du har möjlighet. Om du inte har tillgång till någon transportvagn, se till alltid till att ni är två som bär mejselhammaren.



Placera inte transportvagnen på lutande ytor.

Se till att transportvagnen står stabilt.

Se till att transportsträckan är säker.

1. Placera mejselhammaren på maskinfästet på transportvagnen.
2. Lås fast mejselhammaren med låsbygeln innan den transporteras.
3. För in mejseln i hållaren för förbrukningsmaterial tills du känner att den hamnar på plats.



9 Felsökning

Kontakta **Hilti Service** om det uppstår ett fel som inte finns med i den här tabellen eller som du inte lyckas åtgärda på egen hand.

9.1 Felsökning

Fel	Möjlig orsak	Lösning
Mejselhammaren startar inte.	Elektroniken initieras (i ca 4 sekunder efter det att kontakten anslutits)	► Stäng av verktyget och slå sedan på det igen.
	Strömförsörjningen är bruten	► Koppla in ett annat elverktyg och se om det fungerar.
	Den elektroniska startspärren efter strömavbrott har aktiverats	► Stäng av verktyget och slå sedan på det igen.
	Generatorm i viloläge	► Belasta generatorm med en andra förbrukare (t.ex. en byggglampa). Stäng av verktyget och slå sedan på det igen.
	Nätkabel med stickkontakt är inte riktigt ansluten	► Anslut nätkabeln med stickkontakt på rätt sätt.
Serviceindikatorn lyser rött.	Skador på verktyget eller drifttiden för service har uppnåtts	► Låt endast Hilti kundservice reparera produkten.
Serviceindikatorn blinkar rött.	Tillfälligt fel	► Vänta 10 sekunder, tills lampan slutar blinka. ► Om den inte slutar blinka efter 10 sekunder, dra ut elkontakten och vänta två minuter. ► Lämna in produkten till Hilti -service om den inte slutar blinka.
	Strömförsörjningen har för hög spänning	► Byt uttag. Kontrollera elnätet.
Indikatorn driftklar blinkar grönt.	Överhettningsskydd	► Låt produkten svalna. ► Rengör ventilationsspringorna. Tomgångsdrift är fortfarande möjlig.
Inget slag.	Verktyget är för kallt	► Lagg mejselhammaren på underlaget och låt den gå på tomgång. Upprepa detta om så krävs, tills slagmekanismen kommer igång.
Mejselhammarens slagfrekvens är kraftigt reducerad.	Tomslag (mejseln slår inte mot hårt underlag)	► Släpp strömbrytaren och starta om verktyget, eller: ► Tryck ner handtaget helt samtidigt som du håller ner strömbrytaren.
Mejselhammaren startar inte eller kopplas från vid drift.	Förlängningskabeln är för lång och/eller har för liten area	► Använd en förlängningskabel med tillåten längd och med tillräcklig area.

10 Avfallshantering

Hilti-verktyg är till stor del tillverkade av återvinningsbara material. En förutsättning för återvinning är att materialen separeras på rätt sätt. I många länder kan du lämna in ditt uttjänta verktyg så att **Hilti** tar hand om det. Hör efter med **Hiltis** kundtjänst eller din kontaktperson.



- Kasta inte elverktyg, elektronisk apparatur och batterier i hushållssoporna.



11 RoHS (föreskrifter för begränsning av användningen av farliga ämnen)

Använd den här länken för att komma till tabellen över farliga ämnen: qr.hilti.com/r11668382.
En länk till RoHS-tabellen hittar du i slutet på det här dokumentet i form av en QR-kod.

12 Tillverkargaranti

- ▶ Vänd dig till din lokala Hilti-representant om du har frågor om garantivillkoren.

Original bruksanvisning

1 Informasjon om dokumentasjonen

1.1 Om denne dokumentasjonen

- Les denne dokumentasjonen før du tar produktet i bruk. Dette er en forutsetning for sikkerhet under arbeidet og problemfri bruk.
- Følg sikkerhetshenvisningene og advarslene i denne dokumentasjonen og på produktet.
- Oppbevar alltid bruksanvisningen på produktet, og lever bruksanvisningen fra deg sammen med produktet hvis det overtas av andre personer.

1.2 Symbolforklaring

1.2.1 Farehenvisninger

Farehenvisninger advarer mot farer under håndtering av produktet. Følgende signalord brukes:

FARE

FARE !

- ▶ For en umiddelbart truende fare som kan føre til alvorlige personskader eller død.

ADVARSEL

ADVARSEL !

- ▶ Varsler en mulig fare som kan føre til alvorlige personskader eller død.





FORSIKTIG

FORSIKTIG !

- ▶ Varsler om en mulig farlig situasjon som kan føre til personskade eller materiell skade.

1.2.2 Symboler i dokumentasjonen

Følgende symboler brukes i denne dokumentasjonen:

	Les bruksanvisningen før bruk
	Anvisninger om bruk og annen nyttig informasjon
	Håndtering av resirkulerbare materialer
	Ikke kast elektriske apparater eller batterier i husholdningsavfallet

1.2.3 Symboler i illustrasjoner

Følgende symboler brukes i illustrasjonene:

- | | |
|---|--|
|  | Disse tallene henviser til illustrasjonen foran i denne bruksanvisningen |
|---|--|



3	Nummereringen angir rekkefølgen for arbeidstrinnene på bildet og kan avvike fra arbeidstrinnene i teksten
11	Posisjonsnumrene brukes i illustrasjonen Oversikt og henviser til numrene på teksten i avsnittet Produktoversikt
	Dette symbolet betyr at håndtering av produktet krever stor grad av oppmerksomhet.

1.3 Symboler på produktet

1.3.1 Symboler på produktet

Følgende symboler kan brukes på produktet:

	Beskyttelsesklasse II (dobbelisolert)
	Transport med kran er forbudt
	Trådløs dataoverføring

1.4 Produktinformasjon

HILTI-produkter er laget for profesjonell bruk og må kun brukes, vedlikeholdes og repareres av kyndig personale. Dette personalet må informeres om eventuelle farer som kan oppstå. Produktet og tilleggsutstyr kan utgjøre en fare hvis det betjenes av ukvalifisert personale eller det benyttes feil.

Typebetegnelse og serienummer står på typeskiltet.

- ▶ Skriv inn serienummeret i tabellen nedenfor. Du trenger produktspesifikasjonene ved henvendelser til Hiltis representant eller servicesenter.

Produktspesifikasjoner

Meiselhammer	TE 3000-AVR
Generasjon	03
Serienummer	

1.5 Samsvarserklæring

Vi erklærer herved at produktet som er beskrevet her, er i samsvar med gjeldende normer og direktiver. Du finner et bilde av samsvarserklæringen på slutten av denne dokumentasjonen.

Den tekniske dokumentasjonen er lagret her:

Hilti Entwicklungsgesellschaft mbH | Zulassung Geräte | Hiltistraße 6 | 86916 Kaufering, DE

2 Sikkerhet

2.1 Generelle sikkerhetsregler for elektroverktøy

⚠ ADVARSEL Les alle sikkerhetsanvisninger, instruksjoner, illustrasjoner og tekniske data som elektroverktøyet er utstyrt med. Manglende overholdelse av anvisningene nedenfor kan medføre elektrisk støt, brann og/eller alvorlige personskader.

Overhold alle sikkerhetsanvisninger og instruksjoner i hele bruksperioden.

Begrepet "elektroverktøy" som er brukt i sikkerhetsanvisningene, viser til nettdrevne elektroverktøy (med nettkabel) eller til batteridrevne elektroverktøy (uten nettkabel).

Sikkerhet på arbeidsplassen

- ▶ **Hold arbeidsområdet rent og godt opplyst.** Rotete eller dårlig belyste arbeidsområder kan føre til ulykker.
- ▶ **Bruk ikke elektroverktøyet i eksplosjonsfarlige omgivelser hvor det befinner seg brennbare flytende stoffer, gasser eller støv.** Elektroverktøy lager gnister som kan antenne støv eller damp.
- ▶ **Hold barn og andre personer på sikker avstand mens elektroverktøyet brukes.** Hvis du blir forstyrret under arbeidet, kan du miste kontrollen over verktøyet.



Elektrisk sikkerhet

- ▶ **Elektroverktøyets støpsel må passe i stikkkontakten. Støpselet må ikke forandres på noen som helst måte. Bruk ikke adapterkontakt på jordete elektroverktøy.** Uendrede støpsler og egnede stikkontakter minsker risikoen for elektrisk støt.
- ▶ **Unngå kroppskontakt med jordete overflater som rør, radiatorer, komfyrer eller kjøleskap.** Risikoen for elektriske støt er høyere når kroppen er jordet.
- ▶ **Hold elektroverktøyet unna regn og fuktighet.** Risikoen for elektrisk støt øker ved inntrenging av vann i et elektroverktøy.
- ▶ **Bruk ikke ledningen til å bære elektroverktøyet, henge det opp eller til å dra støpselet ut av stikkkontakten. Hold ledningen unna varme, olje, skarpe kanter og deler som beveger seg.** Skadde eller sammenviklede ledninger øker risikoen for elektriske støt.
- ▶ **Bruk kun skjøteledninger som også er godkjent for utendørs bruk når du arbeider med et elektroverktøy utendørs.** Bruk av skjøteledning som er egnet til utendørs bruk, minsker risikoen for elektrisk støt.
- ▶ **Må elektroverktøyet brukes i fuktige omgivelser, er det nødvendig å bruke en jordfeilbryter.** Bruk av en jordfeilbryter reduserer risikoen for elektrisk støt.

Personsikkerhet

- ▶ **Vær oppmerksom, pass på hva du gjør, og gå fornuftig fram under arbeidet med et elektroverktøy. Ikke bruk elektroverktøy når du er trøtt eller påvirket narkotika, alkohol eller medikamenter.** Et øyeblikks uoppmerksomhet ved bruk av elektroverktøyet kan være nok til å forårsake alvorlige personskader.
- ▶ **Bruk alltid personlig verneutstyr og vernebriller.** Bruk av personlig verneutstyr som støvmaske, sklisikre vernesko, hjelm eller hørselsvern – avhengig av type og bruk av elektroverktøyet – reduserer risikoen for skader.
- ▶ **Unngå utilsiktet start. Forsikre deg om at elektroverktøyet er slått av før du setter i stikkkontakten eller batteriet og før du løfter eller flytter elektroverktøyet.** Hvis du holder fingeren på bryteren når du bærer elektroverktøyet, eller kobler elektroverktøyet til strøm i innkoblet tilstand, kan dette føre til uhell.
- ▶ **Fjern justeringsverktøy og skrunøkkel før du slår på elektroverktøyet.** Et verktøy eller en nøkkel som befinner seg i en roterende maskindel, kan føre til skader.
- ▶ **Unngå uhensiktsmessige arbeidsposisjoner. Sørg for å stå stødig og i balanse.** Dermed kan du kontrollere elektroverktøyet bedre i uventede situasjoner.
- ▶ **Bruk egnede klær. Ikke bruk vide klær eller smykker. Hold hår, tøy og hansker unna deler som beveger seg.** Løstsittende tøy, smykker eller langt hår kan komme inn i deler som beveger seg.
- ▶ **Hvis det er montert støvavsugs- og oppsamlingsinnretninger, må det kontrolleres at disse er koblet til og blir brukt på riktig måte.** Bruk av støvavsug kan redusere faremomentene i forbindelse med støv.
- ▶ **Ikke føl deg for trygg og ikke bryt sikkerhetsreglene for elektroverktøy, heller ikke når du etter lang tids bruk er blitt fortrolig med elektroverktøyet.** Et øyeblikks uaktsomhet kan føre til alvorlige personskader.

Bruk og behandling av elektroverktøyet

- ▶ **Ikke overbelast verktøyet. Bruk et elektroverktøy som er beregnet til den type arbeid du vil utføre.** Med et passende elektroverktøy arbeider du bedre og sikrere i det angitte effektområdet.
- ▶ **Ikke bruk elektroverktøy med defekt bryter.** Et elektroverktøy som ikke lenger kan slås av eller på, er farlig og må repareres.
- ▶ **Dra ut støpselet fra stikkkontakten og/eller ta ut et uttakbart batteri før du foretar maskinnstillinger, bytter tilleggsutstyr eller legger bort verktøyet.** Disse tiltakene forhindrer utilsiktet start av elektroverktøyet.
- ▶ **Oppbevar elektroverktøy som ikke brukes, utenfor barns rekkevidde. La ikke personer som ikke er fortrolige med verktøyet eller ikke har lest disse instruksjonene, bruke verktøyet.** Elektroverktøy er farlige når de brukes av uerfarne personer.
- ▶ **Sørg for grundig stell og vedlikehold av elektroverktøyet med tilbehør. Kontroller at bevegelige deler på elektroverktøyet fungerer feilfritt og ikke klemmes fast, og at ingen deler er brukket eller skadet, slik at dette innvirker på elektroverktøyets funksjon. La skadde deler repareres før elektroverktøyet brukes.** Mange ulykker er et resultat av dårlig vedlikeholdte elektroverktøy.
- ▶ **Hold skjæreverktøy skarpe og rene.** Godt vedlikeholdte skjæreverktøy med skarpe skjærekanten blir sjeldnere fastklemt og er lettere å styre.
- ▶ **Bruk elektroverktøy, tilbehør, arbeidsverktøy osv. i overensstemmelse med denne anvisningen. Ta hensyn til arbeidsforholdene og arbeidet som skal utføres.** Bruk av elektroverktøy til andre formål enn det som er angitt, kan føre til farlige situasjoner.



- ▶ **Hold håndtak og gripeflater tørre, rene og frie for olje og fett.** Glatte håndtak og gripeflater gir ikke sikker betjening og kontroll av elektroverktøyet i uforutsette situasjoner.

Service

- ▶ **Elektroverktøyet må kun repareres av kvalifisert fagpersonale og kun med originale reservedeler.** Slik opprettholdes elektroverktøyets sikkerhet.

2.2 Sikkerhetsanvisninger for borhammere

Sikkerhetsanvisninger for alt arbeid

- ▶ **Bruk hørselsvern.** Påvirkning av støy kan føre til hørselstap.
- ▶ **Bruk håndtakene som leveres med maskinen.** Tap av kontroll kan føre til skader.
- ▶ **Hold maskinen i de isolerte håndtaksflatene når du utfører arbeid der verktøybits kan komme i kontakt med skjulte strømledninger.** Kontakt med en spenningsførende ledning kan også sette maskinens metalldele under spenning og føre til elektrisk støt.

2.3 Ekstra sikkerhetsanvisninger

Personsikkerhet

- ▶ Bruk produktet bare i teknisk feilfri stand.
- ▶ Ikke foreta modifiseringer eller endringer på produktet.
- ▶ Ved gjennombruddsarbeider må området på den andre siden sikres. Deler som brytes ut, kan falle ut og/eller ned og skade andre personer.
- ▶ Kontroller at sidehåndtaket er riktig montert og forskriftsmessig festet. Hold alltid maskinen fast med begge hender i håndtakene som er beregnet til formålet. Hold håndtakene tørre, rene og fri for olje og fett.
- ▶ Til dette produktet må det bare brukes **Hilti**-meisler med TE-H-koblingsende.
- ▶ Skift kun ut meiselen med verktøyet i horisontal posisjon, aldri vertikalt.
- ▶ Sett meiselen så langt inn i chucked at den går i inngrep med et hørbart klikk og den gule varselringen ikke lenger er synlig.
- ▶ Kontroller at meiselen er riktig festet. **OBS!** En meisel som ikke er godt nok sikret kan plutselig føre til farlige situasjoner!
- ▶ Start dette produktet bare i arbeidsposisjon, ikke i transportposisjon!
- ▶ Ta pauser i arbeidet og gjør øvelser for å sikre bedre blodsirkulasjon i fingrene. Ved langvarig arbeid kan det oppstå skader på blodkar eller nervesystemet i fingrer, hender eller håndledd.
- ▶ Produktet er ikke beregnet brukt av barn, fysisk reduserte personer eller personer uten opplæring.
- ▶ Sørg for at maskinen ikke er tilgjengelig for barn.
- ▶ Før arbeidet påbegynnes, må du bringe på det rene hvilken fareklasse støvmaterialet som oppstår, tilhører. Bruk en byggstøvsuger med offisiell beskyttelsesklassifisering sammen med maskinen. Maskinen må oppfylle lokale støvbeskyttelseskrav.
- ▶ Bruk hvis mulig støvavsug og en egnet mobil støvsuger. Støv fra materialer som blyholdig maling, enkelte tresorter, betong/mur/stein som inneholder kvarts, mineraler og metaller kan være helseskadelig.
- ▶ Sørg for god ventilasjon på arbeidsplassen, og bruk eventuelt åndedrettsvern tilpasset den aktuelle typen støv. Berøring eller innånding av slike typer støv kan fremkalle allergiske reaksjoner og/eller luftveissykdommer hos brukeren og andre personer som oppholder seg i nærheten. Bestemte typer støv som eikestøv eller bøkstøv regnes som kreftfremkallende, særlig i forbindelse med stoffer for trebehandling (kromat, trepleiemidler). Asbestholdige materialer skal kun håndteres av kvalifisert personell.

Elektrisk sikkerhet

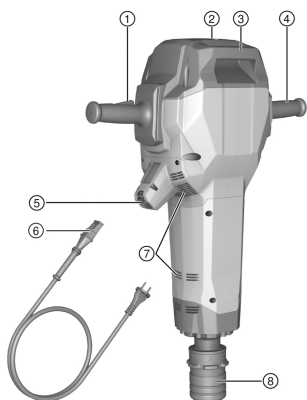
- ▶ Kontroller før arbeidet påbegynnes at det ikke finnes skjulte strømledninger, gass- eller vannrør i arbeidsområdet. Utvendige metalldele på maskinen kan forårsake elektrisk støt hvis du utilsiktet skulle skade en strømledning.
- ▶ Kontroller produktets strømledning regelmessig, og få ledningen skiftet av en autorisert fagperson hvis den er skadet. Hvis elektroverktøyets ledning er skadd, må den skiftes ut med en godkjent, spesielt utformet ledning som kan skaffes via kundeservice. Kontroller skjøteledninger regelmessig, og skift dem ut hvis de blir skadd. Ikke ta på ledningen hvis den skades under arbeid. Trekk nettstøpset ut av stikkkontakten. Skader på ledninger og skjøteledninger innebærer fare for elektrisk støt.
- ▶ Få tilsnusede elektroverktøy som ofte brukes til bearbeiding av ledende materialer, kontrollert regelmessig av **Hilti** service. Støv, især av ledende materialer, eller fuktighet på maskinens overflate gjør at det er vanskelig å holde den, og under ugunstige forhold kan det føre til elektrisk støt.



- Ved strømbrudd må du slå av elektroverktøyet og trekke ut nettstøpselet. Dette forhindrer utilsiktet start av produktet når spenningen kobles til igjen.

3 Beskrivelse

3.1 Produktoversikt 1



- ① Håndtak med av/på-bryter
- ② Serviceindikator
- ③ Bærehåndtak
- ④ Håndtak
- ⑤ Pluggkontakt nettledning
- ⑥ Nettledning med kodet pluggkontakt
- ⑦ Ventilasjonsåpninger
- ⑧ Chuck

3.2 Oversikt transportvogn 2

- ① Håndtak
- ② Lastsikring
- ③ Låsebøyle
- ④ Holder for forbruksmaterieell (meisel)
- ⑤ Hjul
- ⑥ Hjulsikring (skive, splint)
- ⑦ Maskinfestetapp
- ⑧ Bærehåndtak

3.3 Forskriftsmessig bruk

Det beskrevne produktet er en håndholdt meiselhammer med 28 mm sekskantchuck. Den er beregnet for meisling i betong, mur og asfalt. Andre bruksområder er stamping og graving.

- Maskinen må bare brukes med nettspenningen og -frekvensen som er angitt på typeskiltet.

3.4 Mulig feilaktig bruk

Dette produktet er ikke beregnet på bearbeiding av helsefarlige materialer.

Dette produktet er ikke beregnet på arbeider i fuktige omgivelser.

3.5 Serviceindikator

Meiselhammeren er utstyrt med en serviceindikator med lyssignal.

Tilstand	Betydning
Serviceindikatoren lyser rødt.	<ul style="list-style-type: none"> • Maskinens driftstid før en service er nådd. Lever produktet inn til Hilti Service. • Skader på produktet. Lever produktet inn til Hilti Service.
Serviceindikatoren blinker rødt.	<ul style="list-style-type: none"> • Midlertidig feil. Vent i 10 sekunder til blinkingen opphører. • Hvis blinkingen ikke opphører etter 10 sekunder, trekker du ut nettstøpselet og venter i 2 minutter. • Hvis blinkingen ikke opphører, lever inn produktet til Hilti Service.
Klarindikatoren blinker grønt.	<ul style="list-style-type: none"> • Overopphetingsvern. • La produktet kjølnе.



Tilstand	Betydning
Klarindikatoren lyser grønt.	Produktet er klart til bruk.

Lever produktet inn til **Hilti Service** i rett tid. Da er det alltid klart til bruk.

3.6 Active Vibration Reduction

Produktet er utstyrt med et Active Vibration Reduction (AVR)-system som reduserer vibrasjonen merkbart.

3.7 Dette følger med:

meiselhammer, bruksanvisning, fett.
Transportvognen leveres som ekstrautstyr.

I tillegg finner du godkjente systemprodukter til produktet hos nærmeste **Hilti Store** eller under: www.hilti.group

4 Tekniske data

Merkespenning, merkestrøm, frekvens og/eller nominell inngangseffekt står på typeskiltet for ditt land.

Ved drift med aggregat eller transformator må aggregatets eller transformatorens utgangseffekt være minst dobbelt så stor som den nominelle inngangseffekten som er oppgitt på maskinens typeskilt. Driftsspenningen til transformatoren eller aggregatet må alltid ligge innenfor +5 % og -15 % av merkespenningen for maskinen.

	TE 3000-AVR
Vekt i henhold til EPTA-prosedyre 01	27,1 kg
Enkeltlagenergi ifølge EPTA-prosedyre	85 J
Lagringstemperatur	-20 °C ... 70 °C
Omgivelsestemperatur under drift	-20 °C ... 55 °C

4.1 Støyinformasjon og vibrasjonsverdier iht. EN 60745

Lydtrykk- og vibrasjonsverdiene som er angitt i denne bruksanvisningen, er målt i samsvar med en normert målemetode og kan brukes til sammenligning av elektroverktøy. De egner seg også til en foreløpig vurdering av eksponeringene. De angitte dataene representerer de viktigste bruksområdene for elektroverktøyet. Men hvis elektroverktøyet brukes til andre formål, med avvikende innsatsverktøy eller med utilstrekkelig vedlikehold, kan dataene avvike. Dette kan øke eksponeringene betraktelig gjennom hele arbeidsperioden. For å få en nøyaktig vurdering av eksponeringene må man også ta hensyn til tidsrommene da maskinen er slått av eller er i gang, men ikke i drift. Dette kan redusere eksponeringene betraktelig gjennom hele arbeidsperioden. Fastsett ekstra sikkerhetstiltak for å beskytte operatøren mot effekten av støy og/eller vibrasjoner, for eksempel: Vedlikehold av elektroverktøy og innsatsverktøy, holde hendene varme, organisering av arbeidsprosesser.

Støyinformasjon

Lydeffektnivå (L_{WA})	106 dB(A)
Usikkerhet lydeffektnivå (K_{WA})	3 dB(A)
Lydtrykknivå (L_{pA})	95 dB(A)
Usikkerhet lydtrykknivå (K_{pA})	3 dB(A)

Vibrasjonsinformasjon

Meisling ($a_{h, Cheq}$)	6,9 m/s ²
Usikkerhet (K)	1,5 m/s ²



4.2 Bruk av skjøteledning

ADVARSEL

Fare på grunn av skadd ledning! Ikke ta på maskinens ledning eller skjøteledning hvis de skades under arbeid. Trekk støpslet ut av stikkkontakten.

- ▶ Kontroller maskinens tilførselsledning regelmessig, og sørg for at den blir skiftet av fagfolk hvis den blir skadd.
-
- Bruk skjøteledning som er godkjent for bruksområdet og som har stort nok ledningstverrsnitt. I motsatt fall kan det oppstå effekttap på maskinen og overoppheting av kabelen.
 - Kontroller med jevne mellomrom at det ikke har oppstått skader på skjøteledningen.
 - Bytt ut skadde skjøteledninger.
 - Ved arbeider utendørs skal det kun benyttes skjøteledninger som er godkjent og merket for slik bruk.

Anbefalt minste tverrsnitt og maksimale ledningslengder finner du på slutten av denne dokumentasjonen som QR-kode.

5 Klargjøring til arbeidet

FORSIKTIG

Fare for personskader! Utilsikket start av produktet.

- ▶ Trekk støpselet ut av stikkkontakten før du foretar maskininnstillinger eller skifter tilbehørsdeler.

Følg sikkerhetshenvisningene og advarslene i denne dokumentasjonen og på produktet.

5.1 Innsatsverktøy



Til dette produktet må det bare brukes **Hilti**-meisler med **TE-H**-tilkoblingsende.

Andre meisler kan ikke låses riktig og den gule varselringen på verktøylåsen vises fremdeles. Den viser at innsatsverktøyet ikke egner seg til denne meiselhammeren!

- ▶ Kontroller alltid før bruk at den gule varselringen på verktøylåsen ikke lenger er synlig.

5.2 Sette i innsatsverktøy



Kontroller alltid om det er skader eller ujevn slitasje på verktøyet før det tas i bruk, og skift det eventuelt ut.

1. Smør innstikkenden til innsatsverktøyet med litt fett.
2. Sett meiselen med **TE-H**-tilkoblingsenden så langt inn i chucken at den går i inngrep med et hørbart klikk og at den gule varselringen ikke lenger er synlig.
3. Trekk i verktøyet for å forsikre deg om at det er godt festet.



Bruk bare originalfett fra **Hilti**. Bruk av uegnet fett kan føre til skade på produktet.

5.3 Koble til pluggbar nettledding

FORSIKTIG

Fare for personskader på grunn av krypestrøm på skitne kontakter.

- ▶ Den avtakbare pluggkontakten må være ren, tørr og spenningsfri når den skal kobles til elektroverktøyet.

1. Skyv den kodete, avtakbare pluggkontakten til anslag i maskinen til den smekker hørbart på plass.
2. Koble til ledningen.



Hilti anbefaler at den avtakbare nettleddingen alltid er koblet til verktøyet. Den avtakbare nettleddingen skal bare trekkes ut ved brudd/skader.



6 Arbeid



ADVARSEL

Fare på grunn av skadd ledning! Hvis nettkabelen eller skjøteledningen blir skadet under arbeidet, må du straks koble maskinen og ledningene fra strømmettet. Ikke berør det defekte punktet!

- ▶ Kontroller alle ledninger regelmessig. Skift ut defekte skjøteledninger. Få skadde nettkabler skiftet ut av fagfolk.

Det anbefales alltid å bruke en jordfeilbryter (RCD) med maks. 30 mA utløserstrøm.

6.1 Starte meiselhammer

1. Trykk håndtaket og av/på-bryteren helt ned sammen.
 - ▶ Meiselhammeren starter.
2. Hold av/på-bryteren inntrykt under arbeidet.
 - ▶ I tillegg kan du styre ytelsen til maskinen gjennom nedtrykkingen av håndtaket.



Ved pauser på over ett minutt, går maskinen tilbake i utgangsstilling. For å starte på nytt må du igjen trykke håndtaket og av/på-bryteren helt inn.

6.2 Meisling



Meiselen kan sperres i 6 ulike posisjoner (i trinn på 60°). Derfor kan man alltid finne den optimale arbeidsstillingen når man jobber med flat- og formmeisel.

1. Sett nettstøpslet inn i stikkkontakten.
2. Sett an meiselen cirka 80-100 mm (3 1/8" - 4") fra kanten.
3. Trykk håndtaket og av/på-bryteren helt ned.
4. Begynn meislingen med en vinkel på 90° til betongoverflaten og rett spissen mot kanten. Beveg deretter vinkelen i retning 70° til 80° og brekk av materialet.
 - ▶ I armeringsjern føres alltid meiselen mot kanten av materialet, ikke mot armeringsjernet.



Arbeider i lave temperaturer:

Maskinen krever en viss driftstemperatur før slagmekanismen fungerer. Dette oppnås ved å sette maskinen ned en kort stund og la den gå på tomgang. Gjenta om nødvendig prosessen til slagmekanismen fungerer.

6.3 Ta ut innsatsverktøyet



ADVARSEL

Fare for personskader Verktøyet blir varmt under bruk og kan ha skarpe kanter.

- ▶ Bruk vernehansker ved skifte av verktøy.
1. Trekk nettstøpslet ut av stikkkontakten.
 2. Trekk verktøylåsen tilbake til anslag.
 3. Ta ut innsatsverktøyet.
 4. **⚠ OBS!** Ikke legg et varmt verktøy på lettantennelige materialer.

6.4 Koble den pluggbare nettleddningen fra elektroverktøyet

1. Trekk nettstøpslet ut av stikkkontakten.
2. Trykk på låseknappen, og trekk ut den kodete, avtakbare pluggkontakten.
3. Trekk nettleddningen ut av maskinen.



Hilti anbefaler at den avtakbare nettleddningen alltid er koblet til verktøyet. Den avtakbare nettleddningen skal bare trekkes ut ved brudd/skader.



7 Service og vedlikehold

ADVARSEL

Fare for elektrisk støt! Stell og vedlikehold med isatt nettstøpsel kan føre til alvorlige personskader og forbrenninger.

- ▶ Før alt stell og vedlikeholdsarbeid må nettstøpslet trekkes ut!

Pleie

- Fjern gjenstridig smuss forsiktig.
- Bruk en tørr børste for å rengjøre ventilasjonsåpningene forsiktig.
- Rengjør huset bare med en lett fuktet klut. Ikke bruk silikonholdige pleiemiddel, da dette kan angripe plastdelene.

Vedlikehold

ADVARSEL

Fare for elektrisk støt! Ufagmessige reparasjoner på elektriske komponenter kan føre til alvorlig personskade og forbrenninger.

- ▶ Elektriske deler på maskinen må kun repareres av fagfolk.
- Kontroller alle synlige deler regelmessig mht. skade og alle betjeningselementene mht. feilfri funksjon.
- Ved skader og/eller funksjonsfeil må produktet ikke brukes. Få maskinen reparert av **Hilti** service snarest mulig.
- Etter stell- og vedlikeholdsarbeid må alle beskyttelsesinnretninger monteres, og det må foretas funksjonskontroll av dem.



Av hensyn til sikkerheten må du bare bruke originale reservedeler og forbruksmaterialer. Reservedeler, forbruksmaterialer og tilbehør til produktet, som er godkjent av oss, finner du hos **Hilti Store** eller under: www.hilti.group.

8 Transport og lagring

Transport

- ▶ Ikke transporter dette produktet med montert verktøy.
- ▶ Sørg for at maskinen sitter godt fast under transport.
- ▶ Kontroller alle synlige deler mht. skade og alle betjeningselementer mht. feilfri funksjon etter transport.

Lagring

- ▶ Oppbevar alltid dette produktet med uttrukket nettstøpsel.
- ▶ Oppbevar dette produktet tørt og utenfor barn og uvedkommedes rekkevidde.
- ▶ Kontroller alle synlige deler mht. skade og alle betjeningselementer mht. feilfri funksjon etter langvarig oppbevaring.

8.1 Transport med transportvogn

ADVARSEL

Fare for personskade på grunn av høy vekt Meiselhammeren er tung.

- ▶ Bruk transportvognen i den grad det er mulig. Hvis ingen transportvogn er tilgjengelig, må det alltid være to som bærer meiselhammeren.



Ikke parker transportvognen på et skrått underlag.
Sørg for at transportvognen står støtt.
Sørg for å sikre transportveier.

1. Sett meiselhammeren på maskinfestetappen på transportvognen.
2. Sikre meiselhammeren med låsebøylen under transporten.
3. Sett meiselen inn til låst posisjon i holderen for forbruksmaterieil.



9 Feilsøking

Ved feil som ikke står i denne tabellen eller som du selv ikke kan rette opp, må du kontakte **Hilti Service**.

9.1 Feilsøking

Feil	Mulig årsak	Løsning
Meiselhammeren starter ikke.	Initialisering av elektronikken pågår (i ca. 4 sekunder fra støpslet settes inn)	▶ Slå maskinen av og på igjen.
	Strømtilførselen er brutt	▶ Koble til et annet elektroverktøy og kontroller om det fungerer.
	Den elektroniske startsperreren er aktivert etter et strøbrudd	▶ Slå maskinen av og på igjen.
	Aggregat i Sleep Mode	▶ Belast aggregatet med en andre forbruker (f.eks. bygglampe). Slå deretter maskinen av og på igjen.
	Den pluggbare nettledningen ikke riktig tilkoblet	▶ Koble den pluggbare nettledningen riktig til elektroverktøyet.
Serviceindikatoren lyser rødt.	Skader på maskinen, eller maskinens driftstid før en service er nådd	▶ Få alltid produktet reparert av Hilti Service .
Serviceindikatoren blinker rødt.	Midlertidig feil	▶ Vent i 10 sekunder til blinkingen opphører. ▶ Hvis blinkingen ikke opphører etter 10 sekunder, trekk støpselet ut av stikkkontakten og vent i 2 minutter. ▶ Hvis blinkingen ikke opphører, lever inn produktet til Hilti Service .
	Strømtilførsel har for høy spenning	▶ Skift ut stikkkontakten. Kontroller strømmettet.
Klarindikatoren blinker grønt.	Overopphetingsvern	▶ La produktet kjølene. ▶ Rengjør ventilasjonsåpningene. Drift på tomgang er fremdeles mulig.
Slageeffekt uteblir.	Maskinen er for kald	▶ Sett meiselhammeren på underlaget og la den gå på tomgang. Gjenta om nødvendig til slagmekanismen fungerer.
Meiselhammer slår med sterkt redusert frekvens.	Tomslag (meisel slår ikke mot hardt underlag)	▶ Slipp bryteren og start maskinen på nytt eller: ▶ Trykk inn håndtaket også med bryteren trykket inn.
Meiselhammeren starter ikke eller kobles ut under arbeid.	Skjøteledningen er for lang og / eller har for lite tverrsnitt	▶ Skjøteledning med tillatt lengde og/eller med tilstrekkelig tverrsnitt.

10 Avhending

Hilti maskiner er i stor grad laget av resirkulerbart materiale. En forskriftsmessig materialsortering er en forutsetning for resirkulering. I mange land tar **Hilti** din gamle maskin i retur. Spør **Hilti** kundeservice eller forhandleren din.



- ▶ Kast aldri elektroverktøy, elektronisk utstyr eller batterier i husholdningsavfallet!



11 RoHS (direktiv for begrensning av bruk av farlige stoffer)

Under følgende lenke finner du tabellen over farlige stoffer: qr.hilti.com/r11668382.
Du finner en lenke til RoHS-tabellen helt til slutt i denne dokumentasjonen som QR-kode.

12 Produsentgaranti

- ▶ Når det gjelder spørsmål om garantibetingelser, ber vi deg kontakte din lokale **Hilti**-partner.

Alkuperäiset ohjeet

1 Dokumentaation tiedot

1.1 Tästä dokumentaatiosta

- Lue ehdottomasti tämä dokumentaatio ennen tuotteen käyttöönottoa. Se on turvallisen työnteon ja tuotteen ongelmattoman käsittelyn perusedellytys.
- Noudata tässä dokumentaatioissa ja tuotteessa olevia turvallisuus- ja varoitushuomautuksia.
- Säilytä käyttöohje aina tuotteen yhteydessä ja varmista, että käyttöohje on mukana, kun luovutat tuotteen toiselle henkilölle.

1.2 Merkkien selitykset

1.2.1 Varoitushuomautukset

Varoitushuomautukset varoittavat tuotteen käyttöön liittyvistä vaaroista. Seuraavia varoitustekstejä käytetään:

VAKAVA VAARA

VAKAVA VAARA !

- ▶ Varoittaa uhkaavasta vaaratilanteesta, josta voi seurauksena olla vakava loukkaantuminen tai jopa kuolema.

VAARA

VAARA !

- ▶ Varoittaa mahdollisesta vaarasta, josta voi seurauksena olla vakava loukkaantuminen tai kuolema.

VAROITUS

HUOMIO !

- ▶ Varoittaa mahdollisesta vaaratilanteesta, josta voi seurata loukkaantuminen tai aineellinen vahinko.

1.2.2 Symbolit dokumentaatioissa

Tässä dokumentaatioissa käytetään seuraavia symboleita:

	Lue käyttöohje ennen käyttämistä
	Toimintaohjeita ja muuta hyödyllistä tietoa
	Kierrätyskelpoisten materiaalien käsittely
	Älä hävitä sähkölaitteita ja akkuja tavallisen sekajätteen mukana

1.2.3 Symbolit kuvissa

Kuvissa käytetään seuraavia symboleita:

- 2** Nämä numerot viittaavat vastaavaan kuvaan tämän käyttöohjeen alussa



3	Numerointi kertoo työvaiheiden järjestyksen kuvissa ja saattaa poiketa numeroinnista tekstissä
	Kohtanumeroita käytetään kuvassa Yleiskuva , ja ne viittaavat kuvatekstien numerointiin kappaleessa Tuoteyhteenveto
	Tämän merkin tarkoitus on kiinnittää erityinen huomiosi tuotteen käyttöön ja käsittelyyn.

1.3 Symbolit tuotteessa

1.3.1 Symbolit tuotteessa

Tuotteessa voidaan käyttää seuraavia symboleita:

	Suojausluokka II (kaksinkertainen eristys)
	Nosturilla kuljettaminen kielletty
	Langaton tiedonsiirto

1.4 Tuotetiedot

HILTI -tuotteet on tarkoitettu ammattikäyttöön, ja niitä saa käyttää, huoltaa tai korjata vain valtuutettu, koulutettu henkilö. Käyttäjän pitää olla hyvin perillä käyttöön liittyvistä vaaroista. Tuote ja sen varusteet saattavat aiheuttaa vaaratilanteita, jos kokemattomat henkilöt käyttävät tuotetta ohjeiden vastaisesti tai muutoin asiattomasti.

Tyypimerkinnän ja sarjanumeron löydät tyypikilvestä.

- Kirjoita sarjanumero oikeeseen taulukkoon. Tuotteen tiedot tarvitaan, jos esität kysymyksiä myynti- tai huoltoedustajallemme.

Tuotetiedot

Piikkausvasara	TE 3000-AVR
Sukupuoli	03
Sarjanumero	

1.5 Vaatimustenmukaisuusvakuutus

Vakuutamme, että tässä kuvattu tuote täyttää voimassa olevien direktiivien ja standardien vaatimukset. Kuva vaatimustenmukaisuusvakuutuksesta on tämän dokumentaation lopussa.

Tekninen dokumentaatio löytyy tästä:

Hilti Entwicklungsgesellschaft mbH | Zulassung Geräte | Hiltistraße 6 | 86916 Kaufering, DE

2 Turvallisuus

2.1 Sähkötyökaluja koskevat yleiset turvallisuusohjeet

⚠ VAKAVA VAARA Lue kaikki turvallisuus- ja käyttöohjeet, selostukset ja tekniset tiedot, jotka liittyvät tähän sähkötyökaluun. Seuraavien ohjeiden noudattamatta jättäminen saattaa johtaa sähköiskuun, tulipaloon ja/tai vakavaan loukkaantumiseen.

Säilytä kaikki turvallisuus- ja käyttöohjeet huolellisesti vastaisen varalle.

Turvallisuusohjeissa käytetty käsite "sähkötyökalu" tarkoittaa verkkokäyttöisiä sähkötyökaluja (joissa verkkojohto) ja akkukäyttöisiä sähkötyökaluja (joissa ei verkkojohtoa).

Työpaikan turvallisuus

- **Pidä työskentelyalue siistinä ja hyvin valaistuna.** Työpaikan epäjärjestys ja valaisemattomat työalueet voivat johtaa tapaturmiin.
- **Älä käytä sähkötyökalua räjähdysalttiissa ympäristössä, jossa on syttyvää nestettä, kaasua tai pölyä.** Sähkötyökalut synnyttävät kipinöitä, jotka saattavat sytyttää pölyn tai höyryt.
- **Pidä lapset ja siviliset loitolla sähkötyökalua käyttäessäsi.** Voit menettää koneen hallinnan huomiosi suuntautuessa muualle.



Sähköturvallisuus

- ▶ **Sähkötyökalun pistokkeen pitää sopia pistorasiaan.** Pistoketta ei saa muuttaa millään tavalla. **Älä käytä pistorasia-adaptoreita suojamaadotettujen sähkötyökalujen yhteydessä.** Alkuperäisessä kunnossa olevat pistokkeet ja sopivat pistorasiat vähentävät sähköiskun vaaraa.
- ▶ **Vältä koskettamasta sähköä johtaviin pintoihin kuten putkiin, pattereihin, liesiin ja jääkaappeihin.** Sähköiskun vaara kasvaa, jos kehosi maadottuu.
- ▶ **Älä aseta sähkötyökalua alttiiksi sateelle tai kosteudelle.** Veden tunkeutuminen sähkötyökalun sisään lisää sähköiskun vaaraa.
- ▶ **Älä kanna tai ripusta sähkötyökalua verkkojohdostaan äläkä vedä pistoketta irti pistorasiasta johdosta vetämällä.** Pidä johto loitolla kuumuudesta, öljystä, terävistä reunoista ja liikkuvista osista. Vahingoittuneet tai toisiinsa kietoutuneet johdot lisäävät sähköiskun vaaraa.
- ▶ **Kun käytät sähkötyökalua ulkona, käytä ainoastaan ulkokäyttöön soveltuvia jatkojohtoja.** Ulkokäyttöön soveltuvan jatkojohdon käyttö pienentää sähköiskun vaaraa.
- ▶ **Jos sähkötyökalua on välttämätöntä käyttää kosteassa ympäristössä, käytä vikavirtasuojakytintä.** Vikavirtasuojakytimen käyttö pienentää sähköiskun vaaraa.

Henkilöturvallisuus

- ▶ **Ole valpas, kiinnitä huomiota työskentelyysi ja noudata tervettä järkeä sähkötyökalua käyttäessäsi.** **Älä käytä sähkötyökalua, jos olet väsynyt tai huumeiden, alkoholin tai lääkkeiden vaikutuksen alaisena.** Sähkötyökalua käytettäessä hetkellinenkin varomattomuus saattaa aiheuttaa vakavia vammoja.
- ▶ **Käytä henkilökohtaisia suojarusteita ja aina suojalaseja.** Henkilökohtaiset suojarusteet, kuten hengityssuojain, luistamattomat turvajalkineet, kypärä ja kuulosuojaimet, pienentävät oikein käytettyinä loukkaantumisriskiä sähkötyökalun käyttötilanteesta riippuen.
- ▶ **Varo tahatonta käynnistämistä.** Varmista, että sähkötyökalu on kytketty pois päältä, ennen kuin liität sen verkkovirtaan ja/tai liität siihen akun, otat sen käteesi tai kannat sitä. Jos kannat sähkötyökalua sormi käyttökytkimellä tai liität pistokkeen pistorasiaan käyttökytkimen ollessa käyntiasennossa, altistat itsesi onnettomuuksille.
- ▶ **Poista kaikki säätötyökalut ja ruuvitaltat, ennen kuin käynnistät sähkötyökalun.** Työkalu tai avain, joka sijaitsee koneen pyöriässä osassa, saattaa johtaa loukkaantumiseen.
- ▶ **Vältä vaikeita työskentelyasentoja.** Varmista aina tukeva seisoma-asento ja tasapaino. Siten voit paremmin hallita sähkötyökalua odottamattomissa tilanteissa.
- ▶ **Käytä työohsi soveltuvia vaatteita.** Älä käytä löysiä työvaatteita tai koruja. Pidä hiukset, vaatteet ja kineet loitolla liikkuvista osista. Vältä vaatteet, korut ja pitkät hiukset voivat takertua liikkuviin osiin.
- ▶ **Jos pölynpoisto- ja keräilylaitteita voidaan asentaa, sinun on tarkastettava, että ne on liitetty oikein ja että niitä käytetään oikealla tavalla.** Pölynpoistovarustuksen käyttö vähentää pölyn aiheuttamia vaaroja.
- ▶ **Älä tuudittaudu virheelliseen turvallisuuden tunteeseen äläkä laiminlyö sähkötyökaluja koskevia turvallisuusohjeita silloinkaan, kun mielestäsi jo olet kokenut sähkötyökalun käyttäjä.** Harkitsema- ton ja huolimaton toiminta voi sekunnin murto-osissa johtaa vakaviin loukkaantumisiin.

Sähkötyökalun käyttö ja käsittely

- ▶ **Älä ylikuormita konetta.** Käytä kyseiseen työhön tarkoitettua sähkötyökalua. Sopivaa sähkötyökalua käyttäen työskentelet paremmin ja varmemmin tehoalueella, jolle sähkötyökalu on tarkoitettu.
- ▶ **Älä käytä sähkötyökalua, jonka käyttökytkin ei toimi.** Sähkötyökalu, jota ei enää voida käynnistää ja pysäyttää käyttökytkimellä, on vaarallinen ja se täytyy korjata.
- ▶ **Irrota pistoke pistorasiasta ja/tai irrota akku ennen kuin muutat säätöjä, vaihdat terää tai lisävarusteita ja kun lopetat koneen käyttämisen.** Tämä turvatoimenpide estää sähkötyökalun tahattoman käynnistysriskin.
- ▶ **Säilytä sähkötyökalut poissa lasten ulottuvilta, kun niitä ei käytetä.** Älä anna toisten henkilöiden käyttää konetta, elleivät he ole perehtyneet sen käyttöön ja lukeneet käyttöohjeita. Sähkötyökalut ovat vaarallisia, jos niitä käyttävät kokemattomat henkilöt.
- ▶ **Hoida sähkötyökaluja ja niiden varusteita huolella.** Tarkasta, että liikkuvat osat toimivat moitteettomasti eivätkä ole puristuksissa, ja tarkasta myös, ettei sähkötyökalussa ole murtuneita tai vaurioituneita osia, jotka saattaisivat haitata sen toimintaa. Korjauta vaurioituneet osat ennen koneen käyttämistä. Usein loukkaantumisten ja tapaturmien syyinä on sähkötyökalujen laiminlyöty huolto.
- ▶ **Pidä terät terävinä ja puhtaina.** Huolella hoidetut terät, joiden leikkausreunat ovat teräviä, eivät jumitu herkästi, ja niillä työnteko on kevyempää.
- ▶ **Käytä sähkötyökalua, lisävarusteita ja tarvikkeita, teriä jne. niiden käyttöohjeiden mukaisesti.** Ota tällöin työolosuhteet ja suoritettava työtehtävä huomioon. Sähkötyökalun käyttö muuhun kuin sille tarkoitettuun käyttöön saattaa johtaa vaarallisiin tilanteisiin.



- ▶ **Pidä käsikahvat ja tartuntapinnat kuivina, puhtaina, öljyttöminä ja rasvattomina.** Jos käsikahvat tai tartuntapinnat ovat liukkaat, sähkötyökalun turvallinen käyttö ja hallinta voi yllättävissä tilanteissa olla mahdotonta.

Huolto

- ▶ **Anna koulutettujen ammattihenkilöiden korjata sähkötyökalusi ja hyväksy korjauksiin vain alkupe- räisiä varaosia.** Siten varmistat, että sähkötyökalu säilyy turvallisena.

2.2 Poravarsaroita koskevat turvallisuusohjeet

Turvallisuusohjeet kaikkiin töihin

- ▶ **Käytä kuulosuojaimia.** Melu saattaa heikentää kuuloasi.
- ▶ **Käytä koneen mukana toimitettuja lisäkäsikahvoja.** Koneen hallinnan menettäminen saattaa aiheuttaa loukkaantumisia.
- ▶ **Pidä koneesta kiinni vain sen eristetyistä kahvapinnoista, jos teet työtä, jossa sähkötyökalun terä saattaa osua rakenteen sisällä olevaan virtajohtoon tai koneen verkkojohtoon.** Jos terä osuu virtajohtoon, koneen metalliosiin saattaa johtua virta, jolloin saatat saada sähköiskun.

2.3 Muut turvallisuusohjeet

Henkilöturvallisuus

- ▶ Käytä vain tuotetta, joka on teknisesti moitteettomassa kunnossa.
- ▶ Älä koskaan tee tuotteeseen minkäänlaisia muutoksia.
- ▶ Kun teet reikiä, varmista työstettävän kohdan taustapuoli. Putoamaan tai sinkoutumaan pääsevät palaset voivat aiheuttaa muille vammoja.
- ▶ Varmista, että sivukahva on kiinnitetty oikein ja kunnolla kiinni. Pidä tuotteesta aina kiinni käsikahvoista mulemmin. Pidä käsikahvat kuivina, puhtaina, öljyttöminä ja rasvattomina.
- ▶ Käytä tässä tuotteessa vain **Hilti**-piikkausterä, joissa on TE-H-kiinnityspää.
- ▶ Vaihda piikkausterä vain kun tuote on vaaka-asennossa, älä koskaan jos tuote on pystyasennossa.
- ▶ Laita piikkausterä istukkaan niin pitkälle, että terä kuultavasti naksahden lukittuu eikä keltainen varoitus- rengas enää ole näkyvissä.
- ▶ Tarkasta piikkausterän kunnollinen paikalleen lukittuminen. **HUOMIO:** Huonosti kiinnitetty piikkausterä voi yllättäen aiheuttaa vaarallisia tilanteita!
- ▶ Käynnistä tämä tuote vain työskentelyasennossa, älä kuljetusasennossa!
- ▶ Pidä työssäsi taukoja, joiden aikana tee sormivoimisteluliikkeitä varmistaaksesi sormiesi hyvän verenkierron. Pitempään jatkuva työnteko saattaa tänä vuoksi aiheuttaa verenkiertohäiriöitä tai sormien, käsien ja ranteiden hermokipuja.
- ▶ Tuotetta ei ole tarkoitettu lasten tai vajaakykyisten henkilöiden käyttöön tai tuotteen käyttöön opastamat- tomien henkilöiden käyttöön.
- ▶ Älä jätä konetta lasten ulottuville.
- ▶ Selvitä työssä syntyvän pölyn vaarallisuus ennen työn aloittamista. Käytä rakennustyömaakäyttöön hyväksyttyä pölynimuria, joka täyttää viralliset pölysuojaluokitusmääräykset.
- ▶ Käytä mahdollisuuksien mukaan pölynpoistovarustusta ja liikuteltavaa pölynpoistolaitetta. Tiettyjen materiaalien kuten lyijypitoisen maalin, joidenkin puulajien, kvartsiä sisältävän betonin / muurauksen / kivityksen ja mineraalien sekä metallien pölyt voivat olla terveydelle vaarallisia.
- ▶ Varmista työpisteen hyvä tuuletus ja tarvittaessa käytä hengityssuojainta, joka soveltuu kyseessä olevalla pölylle. Pölyjen ihokosketus tai hengittäminen saattaa aiheuttaa allergisia reaktioita ja/tai hengitystiesairauksia koneen käyttäjälle tai lähellä oleville henkilöille. Tietty pölyt kuten tammen tai pyökien pöly on luokiteltu syöpää aiheuttaviksi, erityisesti jos niihin liittyy puunkäsittelyn lisäaineita (kromaatti, puunsuoja-aineet). Asbestia sisältäviä materiaaleja saavat työstää vain erikoiskoulutetut henkilöt.

Sähköturvallisuus

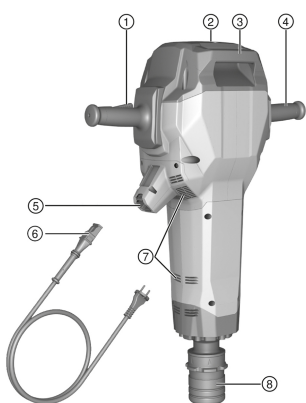
- ▶ Tarkasta ennen työn aloittamista, onko työskentelyalueella rakenteiden sisälle asennettuja sähköjohtoja tai kaasu- ja vesiputkia. Koneen ulkopinnan metalliosista saatat saada sähköiskun, jos vahingossa osut sähköjohtoon.
- ▶ Tarkasta tämän tuotteen verkkojohdon kunto säännöllisesti, ja jos havaitset vaurioita, vaihdata verkkojohto erikoiskorjaamossa. Jos sähkötyökalun liitäntäjohto on vaurioitunut, sen tilalle on vaihdettava erityisesti tähän käyttöön tarkoitettu ja hyväksytty johto; näitä johtoja on saatavana huolto-organisaation kautta. Tarkasta jatkojohdon kunto säännöllisesti, ja vaihda johto, jos havaitset vaurioita. Jos verkkojohto tai jatkojohto vaurioituu työskentelyn aikana, älä kosketa johtoa. Irrota verkkojohto verkkojohtokorjaamosta. Vaurioituneet liitäntäjohtot ja jatkojohtot aiheuttavat vakavan sähköiskun vaaran.



- Tarkastuta likaantunut tuote säännöllisin välein **Hilti**-huollossa, jos usein työstät sähköä johtavia materiaaleja. Koneen pintaan kertynyt pöly, etenkin sähköä johtavien materiaalien pöly, tai kosteus saattavat epäsuotuisissa tilanteissa aiheuttaa sähköiskun.
- Jos virransaanti katkeaa, kytke sähkötyökalu pois päältä ja irrota pistoke verkkopistorasiasta. Näin estät tuotteen vahingossa käynnistymisen, kun virransaanti palautuu.

3 Kuvaus

3.1 Tuoteyhteenveto 1



- ① Käsikahva ja käyttökytkin
- ② Huoltotarpeen merkkivalo
- ③ Kantokahva
- ④ Käsikahva
- ⑤ Verkkojohdon pistokeliitäntä
- ⑥ Verkkajohto jossa koodattu pistoke
- ⑦ Jäähdytysilmaraot
- ⑧ Istukka

3.2 Kuljetusvaunun yhteenveto 2

- ① Kahva
- ② Kuormavarmistin
- ③ Lukituskaari
- ④ Työkalujen (piikkausterien) teline
- ⑤ Pyörät
- ⑥ Pyörälukko (levy, sokka)
- ⑦ Koneen kiinnitystappi
- ⑧ Kantokahva

3.3 Tarkoituksenmukainen käyttö

Kuvattu tuote on käsiohjattava piikkausvasara, jossa on 28 mm:n kuusiokantaistukka. Se on tarkoitettu betonin, tiilen, muurauksen ja asfaltin piikkaustöihin. Muita käyttötarkoituksia ovat junntaaminen ja kaivaminen.

- Koneen saa liittää vain verkkovirtaan, jonka jännite ja taajuus vastaavat koneen tyyppikilvessä olevia tietoja.

3.4 Mahdollinen väärä käyttö

Tämä tuote ei sovellu terveydelle vaarallisten materiaalien työstöön.

Tämä tuote ei sovellu kosteassa ympäristössä käytettäväksi.

3.5 Huoltotarpeen merkkivalo

Piikkausvasarassa on huoltotarpeen merkkivalo.

Tila	Merkitys
Huoltotarpeen merkkivalo palaa punaisena.	<ul style="list-style-type: none"> • Käyttöajan perusteella huolto on tullut ajankohdattaiseksi. Vie tuote Hilti-huoltoon. • Tuotteessa vaurio. Vie tuote Hilti-huoltoon.
Huoltotarpeen merkkivalo vilkkuu punaisena.	<ul style="list-style-type: none"> • Hetkellinen vika. Odota 10 sekuntia, kunnes vilkkuminen loppuu. • Jos vilkkuminen ei 10 sekunnin kuluessa loppu, irrota verkkopistoke ja odota 2 minuuttia. • Jos vilkkuminen ei loppu, vie tuote Hilti-huoltoon.



Tila	Merkitys
Käyttövalmiuden merkkivalo vilkkuu vihreänä.	<ul style="list-style-type: none"> Ylikuumentumisuoja. Anna tuotteen jäähtyä.
Käyttövalmiuden merkkivalo palaa vihreänä.	Tuote on käyttövalmis.

Vie tuote ajoissa **Hilti**-huoltoon. Siten se pysyy aina käyttövalmiina.

3.6 Active Vibration Reduction

Tuotteessa on Active Vibration Reduction (AVR) -järjestelmä, joka merkittävästi vähentää tärinää.

3.7 Toimituksen sisältö

Piikkausvasara, käyttöohje, rasvaa.

Kuljetusvaunu on saatavissa lisävarusteena.

Muita tälle tuotteelle hyväksytyitä järjestelmätuotteita löydät **Hilti Store** -liikkeestä tai nettiosoitteesta: www.hilti.group

4 Tekniset tiedot

Nimellisjännitteen, nimellisvirran, verkkovirran taajuuden ja/tai nimellisottoehon näet maakohtaisesta tyyppikilvestä.

Jos konetta käytetään generaattoriin tai muuntajaan liitettynä, generaattorin tai muuntajan antotehon pitää olla vähintään kaksi kertaa niin suuri kuin koneen tyyppikilpeen merkitty nimellisottoeha. Muuntajan tai generaattorin käyttöjännitteen pitää aina olla rajoissa +5 % ja -15 % koneen nimellisjännitteestä.

	TE 3000-AVR
Paino EPTA 01 mukaan	27,1 kg
Yhden iskun energia EPTA mukaan	85 J
Varastointilämpötila	-20 °C ... 70 °C
Ympäristön lämpötila käytettäessä	-20 °C ... 55 °C

4.1 Melutiedot ja tärinäarvot EN 60745 mukaan

Tässä käyttöohjeessa annetut äänenpaine- ja tärinäarvot on mitattu standardoitujen mittausmenetelmien mukaisesti, ja näitä arvoja voidaan käyttää sähkötyökalujen vertailussa. Ne soveltuvat myös altistumisten tilapäiseen arviointiin. Annetut arvot koskevat sähkötyökalun pääasiallisia käyttötarkoituksia. Jos sähkötyökalua kuitenkin käytetään muihin tarkoituksiin, poikkeavia työkaluja tai teriä käyttäen tai puutteellisesti huollettuna, arvot voivat poiketa tässä ilmoitetuista. Tämä saattaa merkittävästi lisätä altistumista koko työskentelyajan aikana. Altistumisia tarkasti arvioitaessa on otettava huomioon myös ne ajat, jolloin kone on kytketty pois päältä tai jolloin kone on päällä, mutta sillä ei tehdä varsinaista työtä. Tämä saattaa merkittävästi vähentää altistumista koko työskentelyajan aikana. Käyttäjän suojaamiseksi melun ja/tai tärinän vaikutukselta ryhdy tarpeellisiin turvatoimenpiteisiin kuten: Sähkötyökalun ja siihen kiinnitettävien työkaluterien huolto, käsien lämpimänä pitäminen, työtehtävien organisointi.

Melutiedot

Äänitehotaso (L_{WA})	106 dB(A)
Äänitehotason epävarmuus (K_{WA})	3 dB(A)
Äänenpainetaso (L_{pA})	95 dB(A)
Äänenpainetaso epävarmuus (K_{pA})	3 dB(A)

Tärinäarvot

Piikkaaminen ($a_{h, Cheq}$)	6,9 m/s ²
Epävarmuus (K)	1,5 m/s ²



4.2 Jatkojohdon käyttö

VAARA

Johdon vaurion aiheuttama vaara! Jos verkkojohto tai jatkojohto vaurioituu käytön aikana, älä kosketa johtoa. Irrota verkkopistoke verkkopistorasiasta.

- ▶ Tarkasta verkkojohdon kunto säännöllisesti, ja jos havaitset vaurioita, vaihdata verkkojohto erikoiskorjaamossa.
- Käytä vain käyttötarkoitukseen hyväksytyjä jatkojohtoja, joiden poikkipinta-ala on riittävä. Muutoin koneen teho voi olla normaalia heikompi ja johto saattaa ylikuumentua.
- Tarkasta jatkojohdon mahdolliset vauriot säännöllisin välein.
- Vaihda vaurioitunut jatkojohto.
- Jos työskentelet ulkona, käytä vain ulkokäyttöön tarkoitettua jatkojohtoa.

Johdon suositeltu minimipoikkipinta-ala ja sallittu maksimipituus löytyvät tämän dokumentaation lopusta QR-koodina.

5 Työkohteen valmistelu

VAROITUS

Loukkaantumisvaara! Tuotteen käynnistyminen vahingossa.

- ▶ Irrota pistoke verkkopistorasiasta, ennen kuin muutat koneen säätöjä tai vaihdat lisävarusteosia.

Noudata tässä dokumentaatiossa ja tuotteessa olevia turvallisuus- ja varoitushuomautuksia.

5.1 Työkaluterä



Käytä tässä tuotteessa vain **Hilti**-piikkausteriä, joissa on **TE-H**-kiinnityspää.

Muut piikkausterät eivät lukitu kunnolla paikalleen, ja työkaluterälukituksen keltainen varoitusrenkas jää näkyviin. Se ilmaisee, ettei työkaluterä sovellu tähän piikkausvasaraan!

- ▶ Aina ennen käyttöä varmista, ettei työkaluterälukituksen keltainen varoitusrenkas enää ole näkyvässä.

5.2 Työkaluterän kiinnitys



Aina ennen käyttöä tarkasta työkaluterän mahdolliset vauriot sekä epätasainen kuluminen ja tarvittaessa vaihda työkaluterä.

1. Rasvaa työkaluterän istukkapää kevyesti.
2. Laita **TE-H**-kiinnityspäälinen piikkausterä istukkaan niin pitkälle, että terä kuuluvasti naksauttaen lukittuu eikä keltainen varoitusrenkas enää ole näkyvässä.
3. Tarkasta työkaluterän kunnollinen lukittuminen vetämällä työkaluterästä.



Käytä vain alkuperäistä **Hilti**-rasvaa. Soveltumattoman rasvan käyttö voi vaurioittaa tuotetta.

5.3 Irrotettavan verkkojohdon liittäminen

VAROITUS

Loukkaantumisvaara Likaantuneiden liittimien aiheuttama vuotovirtavaara.

- ▶ Irrotettavan sähköpistokkeen saa liittää sähkötyökaluun vain, kun pistoke on puhdas, kuiva ja jännitteetön.

1. Työnnä koodattu, irrotettava sähköpistoke koneeseen vasteeseen saakka siten, että kuulet lukittumisen.
2. Liitä pistoke verkkopistorasiaan.



Hilti suosittaa, että irrotettava verkkojohto pidetään aina kiinni työkalussa. Irrotettava verkkojohto on tarpeen irrottaa vain, jos se on murtunut/vaurioitunut.



6 Työskentely



VAARA

Johdon vaurion aiheuttama vaara! Jos koneen verkkojohto tai jatkojohto vaurioituu käytön aikana, irrota heti kone ja sen johto verkkovirrasta. Älä kosketa vaurioitunutta kohtaa!

- ▶ Tarkasta kaikki liitännäisjohdot säännöllisesti. Vaihda vaurioitunut jatkojohto. Vaihdata vaurioituneet verkkojohdot erikoiskorjaamossa.

Suosittamme, että käytät vikavirtasuojakatkaisinta (RCD), jonka laukaisuvirta on enintään 30 mA.

6.1 Piikkausvasaran käynnistyminen 6

1. Paina käsikahva ja käyttökytkin yhdessä pohjaan.
 - ▶ Piikkausvasara käynnistyy.
2. Pidä työnteon aikana käyttökytkin painettuna.
 - ▶ Lisäksi voit käsikahvaa painamalla ohjata koneen tehoa.



Jos tauko kestää yli minuutin, kone palautuu alkutilanteeseen. Uudelleen käynnistämiseksi sinun on taas painettava käsikahvaa ja käyttökytkintä.

6.2 Piikkaaminen 7



Piikkaustyökalun voi kiinnittää 6 eri asentoon (60°:n välein). Näin latta- ja muotopiikkaustyökalun saa kiinnitettyä aina työn kannalta sopivimpaan asentoon.

1. Liitä verkkopistoke verkkopistorasiaan.
2. Aseta piikkausterä noin 80-100 mm:n (3 1/8" - 4") päähän reunasta.
3. Paina käsikahva ja käyttökytkin pohjaan.
4. Aloita piikkaaminen piikkausterä 90°:n kulmassa betonin pintaan nähden ja suuntaa kärki reunaa kohti. Käännä sitten kulmaa suuntaan 70-80° ja murra materiaali irti.
 - ▶ Jos piikattavassa materiaalissa on raudoitusta, ohjaa piikkausterä aina materiaalin reunaa vasten, älä raudoitusta vasten.



Käyttö alhaisissa lämpötiloissa:

Koneen iskumeکانismi vaatii toimiakseen tietyn minimilämpötilan. Jotta se saavutetaan, laske kone hetkeksi alustalle ja anna koneen käydä hetki tyhjäkäyntiä. Tarvittaessa toista tämä, kunnes iskumeکانismi toimii.

6.3 Työkaluterän irrotus 8



VAARA

Loukkaantumiswaara Terä kuumenee käytössä ja siinä saattaa olla teräviä reunoja.

- ▶ Käytä terän vaihdossa suojakäsineitä.

1. Irrota pistoke verkkopistorasiasta.
2. Vedä työkaluterän lukitsin taaksepäin vasteeseen saakka.
3. Irrota työkaluterä.
4. **HUOMIO!** Älä laske kuumaa työkalua herkästi syttyvien materiaalien päälle.

6.4 Irrotettavan verkkojohdon irrotus sähkötyökalusta

1. Irrota pistoke verkkopistorasiasta.
2. Paina lukituspainiketta ja vedä koodattu, irrotettava sähköpistoke irti.
3. Vedä verkkojohto irti koneesta.



Hilti suosittaa, että irrotettava verkkojohto pidetään aina kiinni työkalussa. Irrotettava verkkojohto on tarpeen irrottaa vain, jos se on murtunut/vaurioitunut.



7 Huolto, hoito ja kunnossapito

VAARA

Sähköiskun vaara! Hoito- ja kunnostustöiden suorittaminen pistoke pistorasiaan liitettynä voi johtaa vakaviin loukkaantumisiin ja palovammoihin.

- ▶ Irrota pistoke verkkopistorasiasta aina ennen hoito- ja kunnostustöitä!

Huolto ja hoito

- Poista pinttynyt lika varovasti.
- Puhdista jäähdytysilmaraat varovasti kuivalla harjalla.
- Käytä kotelon puhdistamiseen vain kevyesti kostutettua kangasta. Älä käytä silikonia sisältäviä hoitoaineita, sillä ne voivat vaurioittaa muoviosia.

Kunnossapito

VAARA

Sähköiskun aiheuttama vaara! Sähköosien asiantuntemattomat korjaukset voivat aiheuttaa vakavia loukkaantumisia ja palovammoja.

- ▶ Sähköosien korjaustyöt saa tehdä ainoastaan valtuutettu sähköasentaja.
- Tarkasta säännöllisin välein kaikkien näkyvien osien mahdolliset vauriot ja käyttöelementtien moitteeton toiminta.
- Jos havaitset vaurioita ja / tai toteat toimintahäiriöitä, älä käytä tuotetta. Korjauta heti **Hilti**-huollossa.
- Hoito- ja kunnostustöiden jälkeen kiinnitä kaikki suojalaitteet ja tarkasta niiden toiminta.



Käyttöturvallisuuden varmistamiseksi käytä vain alkuperäisiä varaosia ja käyttömateriaaleja. Tälle tuotteelle hyväksytyjä varaosia, kulutusmateriaaleja ja lisävarusteita löydät **Hilti Store** -liikkeestä tai osoitteesta: www.hilti.group.

8 Kuljetus ja varastointi

Kuljettaminen

- ▶ Älä kuljeta tätä tuotetta työkaluterä kiinnitettynä.
- ▶ Kuljetuksen aikana varmista tukeva ja varma pystyssä pysyminen.
- ▶ Tarkasta aina kuljettamisen jälkeen kaikkien näkyvien osien mahdolliset vauriot ja käyttöelementtien moitteeton toiminta.

Varastointi

- ▶ Varastoi tämä tuote aina pistoke verkkopistorasiasta irrotettuna.
- ▶ Varastoi tämä tuote kuivassa paikassa sekä lasten ja asiattomien henkilöiden ulottumattomissa.
- ▶ Pitkän varastoinnin jälkeen tarkasta kaikkien näkyvien osien mahdolliset vauriot ja käyttöelementtien moitteeton toiminta.

8.1 Kuljettaminen kuljetusvaunulla

VAARA

Suuren painon aiheuttama loukkaantumisvaara Piikkausvasara on painava.

- ▶ Käytä kuljettamiseen mahdollisuuksien mukaan aina kuljetusvaunua. Jos kuljetusvaunua ei ole käytettävissä, koneen kuljettamiseen tarvitaan aina kaksi henkilöä.



Älä jätä kuljetusvaunua kaltevalle pinnalle.
Varmista, että kuljetusvaunu pysyy turvallisesti pystyssä.
Varmista kuljetusreittien turvallisuus.

1. Laita piikkausvasara kiinnitystappiin kuljetusvaunussa.
2. Varmista kiinnityskaarella piikkausvasaran pysyminen paikallaan.
3. Aseta piikkausterä terien kannattimeen siten, että se lukittuu paikalleen.



9 Apua häiriötilanteisiin

Häiriöissä, joita ei ole kuvattu tässä taulukossa tai joita et itse pysty poistamaan, ota yhteys **Hilti**-huoltoon.

9.1 Vianmääritys

Häiriö	Mahdollinen syy	Ratkaisu
Piikkausvasara ei käynnisty.	Elektroniikan perusasetus on käynnissä (kestää noin 4 sekuntia pistotokkeen liittämisen jälkeen)	► Kytke kone pois päältä ja takaisin päälle.
	Katkos verkkojännitteen saannissa	► Liitä toinen sähkötyökalu ja tarkasta toimiiko se.
	Elektroninen käynnistyksenesto on kytkeytynyt päälle virran katkeamisen seurauksena	► Kytke kone pois päältä ja takaisin päälle.
	Generaattori Sleep Mode -tilassa	► Kuormita generaattoria toisella kuluttimella (esimerkiksi työmaalampulla). Kytke kone sitten pois päältä ja takaisin päälle.
	Irotettava verkkojohto ei ole kunnolla kiinni	► Liitä irrotettava verkkojohto oikein sähkötyökaluun.
Huoltotarpeen merkkivalo palaa punaisena.	Vaurio koneessa tai käyttäjän perusteella huolto on tullut ajankohitaiseksi	► Korjauta tuote aina vain Hilti -huollossa.
Huoltotarpeen merkkivalo vilkkuu punaisena.	Hetkellinen vika	► Odota 10 sekuntia, kunnes vilkkuminen loppuu. ► Jos vilkkuminen ei 10 sekunnin kuluessa loppu, irrota verkkopistoke ja odota kaksi minuuttia. ► Jos vilkkuminen ei loppu, vie tuote Hilti -huoltoon.
	Tuleva jännite on liian suuri	► Vaihda pistorasiaa. Tarkasta verkkovirta.
Käyttövalmiuden merkkivalo vilkkuu vihreänä.	Ylikuumentumissuoja	► Anna tuotteen jäähtyä. ► Puhdista jäähdytysilmaraot. Käyttö tyhjäkäynnillä on vielä mahdollista.
Ei iskuja.	Kone liian kylmä	► Aseta piikkausvasara pintaa vasten ja anna käydä tyhjäkäyntiä. Tarvittaessa toista tämä, kunnes iskumeکانismi toimii.
Piikkausvasara iskee selvästi harvemmin.	Tyhjä isku (piikkausterä ei iske kovaan materiaaliin)	► Vapauta käyttökytkin ja käynnistä kone uudelleen, tai: ► Paina käyttökytkin painettuna myös käsikahva täysin pohjaan.
Piikkausvasara ei käynnisty tai kytkeytyy käytön aikana pois päältä.	Jatkojohto liian pitkä ja / tai sen poikkipinta-ala on liian pieni	► Käytä jatkojohtoa, jonka pituus on sallittu ja / tai poikkipinta-ala on riittävä.

10 Hävittäminen

Hilti-työkalut, -koneet ja -laitteet on pääosin valmistettu kierrätyskelpoisista materiaaleista. Kierrätys on edellytys on materiaalien asianmukainen lajittelu. Useissa maissa **Hilti** ottaa vanhat koneet ja laitteet vastaan kierrätystä ja hävitystä varten. Lisätietoja saat **Hilti**-huollosta tai -edustajalta.



- Älä hävitä sähkötyökaluja, elektronisia laitteita ja akkuja tavallisen sekajätteen mukana!



11 RoHS (vaarallisten aineiden käytön rajoittamisen direktiivi)

Vaarallisten aineiden taulukon löydät seuraavasta linkistä: qr.hilti.com/r11668382.
Linkki RoHS-taulukkoon on tämän dokumentaation lopussa QR-koodina.

12 Valmistajan myöntämä takuu

- ▶ Jos sinulla on takuuehtoihin liittyviä kysymyksiä, ota yhteys paikalliseen **Hilti**-edustajaan.

Originaalkasutusjuhend

1 Andmed dokumentatsiooni kohta

1.1 Kasutusjuhend

- Enne seadme kasutuselevõttu lugege see kasutusjuhend läbi. See on ohutu kasutamise ja tõrgeteta töödeldus.
- Järgige kasutusjuhendis esitatud ja tootele märgitud ohutusnõudeid ja hoiatusi.
- Hoidke kasutusjuhend alati seadme juures ja toote edasiandmisel teistele isikutele andke üle ka kasutusjuhend.

1.2 Märkide selgitus

1.2.1 Hoiatused

Hoiatused annavad märku toote kasutamisel tekkivatest ohtudest. Kasutatakse alljärgnevat märksõnu:



OHT

OHT !

- ▶ Võimalikud ohtlikud olukorrad, mis võivad põhjustada kasutaja raskeid kehavigastusi või hukkamist.



HOIATUS

HOIATUS !

- ▶ Võimalik ohtlik olukord, mis võib põhjustada kasutaja raskeid kehavigastusi või hukkamist.



ETTEVAATUST

ETTEVAATUST !

- ▶ Võimalikud ohtlikud olukorrad, mis võivad põhjustada kehavigastusi või varalist kahju.

1.2.2 Kasutusjuhendis kasutatud sümbolid

Selles dokumendis kasutatakse järgmisi sümboleid.

	Lugege enne kasutamist läbi kasutusjuhend!
	Soovitused seadme kasutamiseks ja muu kasulik teave
	Taaskasutatavate materjalide käsitsemine
	Elektriseadmeid ja akusid ei tohi visata olmejäätmete hulka.

1.2.3 Joonistel kasutatud sümbolid

Joonistel kasutatakse järgmisi sümboleid.

- 2** Numbrid viitavad vastavatele joonistele kasutusjuhendi alguses



3	Numeratsioon kajastab töötappide järjekorda pildi kujul ja võib tekstis kirjeldatud töötappidest erineda
11	Positsiooninumbrid kasutatakse ülevaatejoonisel ja need viitavad selgituste numbritele toote ülevaates
	See märk näitab, et toote käsitlemisel tuleb olla eriti tähelepanelik.

1.3 Tootel olevad sümbolid

1.3.1 Tootel olevad sümbolid

Tootel võidakse kasutada järgmisi sümboleid:

	Kaitseklass II (topeltisolatsioon)
	Kraanaga transportimine keelatud!
	Traadita andmeedastus

1.4 Tooteinfo

HILTI tooted on ette nähtud professionaalsele kasutajale ja neid tohivad käsitseda, hooldada ja korras hoida ainult volitatud ja asjaomase väljaõppega isikud. Nimetatud personal peab olema teadlik kõikidest kaasnevatest ohtudest. Seade ja sellega ühendatavad abivahendid võivad osutada ohtlikuks, kui neid ei kasutata nõuetekohaselt või kui nendega töötab vastava väljaõppeta isik.

Tüübitähis ja seerianumber on tüübisildil.

- ▶ Kandke seerianumber järgmisse tabelisse. Andmeid toote kohta vajate meie esindusele või hooldekeskusele päringute esitamisel.

Toote andmed

Piikvasar	TE 3000-AVR
Põlvkond	03
Seerianumber	

1.5 Vastavusdeklaratsioon

Kinnitame ainuvastutajana, et käesolevas kasutusjuhendis kirjeldatud seade vastab kehtivate direktiivide ja standardite nõuetele: Vastavusdeklaratsiooni ärakirja leiате käesoleva kasutusjuhendi lõpust.

Tehnilised dokumendid on saadaval:

Hilti Entwicklungsgesellschaft mbH | Zulassung Geräte | Hiltistraße 6 | 86916 Kaufering, DE

2 Ohutus

2.1 Üldised ohutusnõuded elektriliste tööriistade kasutamisel

⚠ HOIATUS! Lugege kõiki selle elektrilise tööriista juurde kuuluvaid ohutusjuhiseid, nõuandeid, jooniseid ja tehnilisi andmeid! Järgmiste juhiste eiramise tagajärg võib olla elektrilöökk, tulekahju ja/või rasked vigastused.

Hoidke kõik ohutusnõuded ja juhised edaspidiseks kasutamiseks alles.

Ohutusjuhistes kasutatud mõiste "elektriline tööriist" käib võrgutoitega (toitejuhtmega) elektriliste tööriistade või akutoitega (toitejuhtmeta) elektriliste tööriistade kohta.

Ohutus töökohal

- ▶ **Hoidke oma töökoht puhas ja valgustage seda korralikult.** Korrastamata ja valgustamata töökoht võib põhjustada õnnetusi.
- ▶ **Ärge kasutage elektrilist tööriista plahvatusohtlikus keskkonnas, kus leidub tuleohtlikke vedelikke, gaase või tolmu.** Elektrilistest tööriistadest lööb sädemeid, mis võivad tolmu või auru süüdata.
- ▶ **Hoidke lapsed ja kõik teised töökohast eemal, kui kasutate elektrilist tööriista!** Kui teie tähelepanu juhitakse kõrvale, võib seade teie kontrolli alt väljuda.



Elektriohutus

- ▶ **Elektrilise tööriista pistik peab sobima pistikupesasse. Pistiku juures ei tohi teha mingeid muudatusi. Kaitsemaandusega seadmete puhul ei tohi kasutada adapterpistikuid.** Muutmata pistikud ja sobivad pistikupesad vähendavad elektrilöögiohtu.
- ▶ **Vältige keha kontakti maandatud pindadega (nt toru, radiaator, pliit, külmik).** Kui teie keha on maandatud, on elektrilöögi oht suurem.
- ▶ **Kaitske elektrilist tööriista vihma ja niiskuse eest.** Kui elektrilise tööriista sisemusse satub vett, suurendab see elektrilöögiohtu.
- ▶ **Ärge kasutage ühenduskaablit elektrilise tööriista kandmiseks, riputamiseks ega pistiku stepslist väljatõmbamiseks!** Hoidke ühenduskaablit eemal kuumusest, õidest, teravatest servadest ja liikuvatest osadest. Kahjustatud või keerdsed ühenduskaablid suurendavad elektrilöögiohtu.
- ▶ **Kui töötate elektrilise tööriistaga vabas õhus, kasutage ainult selliseid pikendusjuhtmeid, mida tohib kasutada ka välitingimustes.** Välitingimustes sobiva pikendusjuhtme kasutamine vähendab elektrilöögiohtu.
- ▶ **Kui seadmega töötamine niiskes keskkonnas on vältimatu, kasutage rikkevoolu kaitselülitiit.** Rikkevoolu kaitselülitiit kasutamine vähendab elektrilöögiohtu.

Inimeste ohutus

- ▶ **Olge tähelepanelik, jälgige, mida teete, ja toimige elektrilise tööriistaga töötades kaalutletult. Ärge töötage elektrilise tööriistaga, kui olete väsinud või alkoholi, narkootikumide või ravimite mõju all!** Hetkeline tähelepanematus elektrilise tööriista kasutamisel võib põhjustada raskeid kehavigastusi ja varalist kahju.
- ▶ **Kandke isiklikke kaitsevahendeid ja alati kaitseprille.** Isiklike kaitsevahendite, nt tolmu maski, libisemiskindlate turvajalatsite, kaitsekiivri või kuulmiskaitsevahendite kandmine (sõltuvalt elektrilise tööriista tüübist ja kasutusala) vähendab vigastusohtu.
- ▶ **Vältige elektrilise tööriista soovimatut käivitamist! Enne elektrilise tööriista ühendamist vooluvõrku ja/või elektrilise tööriista aku paigaldamist, tööriista ülestõstmist ja kandmist veenduge, et elektriline tööriist on välja lülitatud!** Kui hoiate elektrilise tööriista kandmisel sõrme lülitiil või ühendate vooluvõrku sisselülitatud tööriista, võib juhtuda õnnetus.
- ▶ **Enne elektrilise tööriista sisselülitamist eemaldage selle küljest seade- ja mutrivõtmed.** Elektrilise tööriista pöörleva osa küljes olev seade- või mutrivõti võib põhjustada vigastusi.
- ▶ **Vältige ebatavalist tööasendit! Võtke stabiilne tööasend ja säilitage alati tasakaal.** Nii saate elektrilist tööriista ootamatutes olukordades paremini kontrollida.
- ▶ **Kandke sobivat rõivastust. Ärge kandke laiu riideid ega ehteid! Hoidke juuksed, rõivad ja kindad seadme liikuvatest osadest eemal.** Lotendavad riided, ehted ja pikad juuksed võivad sattuda seadme liikuvate osade vahele.
- ▶ **Kui elektrilise tööriista külge on võimalik paigaldada tolmuemaldus- ja kogumisseadiseid, veenduge, et need on tööriistaga ühendatud ja et neid kasutatakse nõuetekohaselt.** Tolmuemaldus-seadise kasutamine võib vähendada tolmu tihedust.
- ▶ **Ärge laske tekkida petlikul turvatundel ega eirake elektrilise tööriista ohutusreeglid isegi siis, kui olete pärast paljukordset kasutamist elektrilise tööriistaga harjunud.** Tähelepanematu käsitsemise võib sekundi mürdosa jooksul kaasa tuua raskeid vigastusi.

Elektrilise tööriista kasutamine ja käsitsemine

- ▶ **Ärge koormake seadet üle!** Kasutage konkreetseks tööks sobivat elektrilist tööriista. See töötab ettenähtud jõudluspiirides tõhusamalt ja ohutumalt.
- ▶ **Ärge kasutage elektrilist tööriista, mille lüliti on rikkis!** Elektriline tööriist, mida ei saa enam lülitiit korralikult sisse ja välja lülitada, on ohtlik ning tuleb viia parandusse.
- ▶ **Tõmmake enne seadme mis tahes seadetõid, tarvikute vahetamist ja seadme hoieüpanekut pistik pistikupesast välja ja/või eemaldage äravõetav aku.** See ettevaatusabinõu hoiab ära seadme soovimatu käivitamise.
- ▶ **Kasutusvälisel ajal hoidke elektrilist tööriista lastele kättesaamatus kohas. Ärge laske seadet kasutada isikult, kes seadme tööpõhimõtet ei tunne või ei ole lugenud käesolevaid kasutusjuhendeid.** Asjatundmatute isikute käes on elektrilised tööriistad ohtlikud.
- ▶ **Hooldage elektrilisi tööriistu ja tarvikuid korralikult. Kontrollige, kas liikuvad osad töötavad veatult ega kiilu kiini.** Veenduge, et seadme osad ei ole murdunud või kahjustatud määral, mis mõjutab seadme töökindlust. Laske kahjustatud osad enne seadme kasutamist parandada. Ebapiisavalt hooldatud elektrilised tööriistad põhjustavad õnnetusi.
- ▶ **Hoidke lõiketarvikud teravad ja puhtad.** Hästi hooldatud, teravate lõikeservadega lõiketarvikud kiiluvad harvemini kinni ja neid on lihtsam juhtida.



- ▶ **Kasutage elektrilist tööriista, tarvikuid ja lisatarvikuid vastavalt nende juhistele. Arvestage seejuures töötingimuste ja tehtava töö iseloomuga.** Elektrilise tööriista kasutamine otstarbel, milleks see ei ole ette nähtud, võib põhjustada ohtlikke olukordi.
- ▶ **Käepidemed ja haardepinnad peavad olema kuivad, puhtad ning vabad õlist ja rasvast.** Libedad käepidemed ja haardepinnad ei võimalda elektrilist tööriista ootamatutes olukordades kindlat käitseda ega kontrollida.

Hoidlus

- ▶ **Laske elektrilist tööriista parandada ainult kvalifitseeritud spetsialistidel, kes kasutavad originaalvaruosi.** Nii on tagatud elektrilise tööriista ohutu töö.

2.2 Ohutusnõuded puurvasaratega töötamisel

Ohutusnõuded kõikide tööde puhul

- ▶ **Kandke kuulmiskaitsevahendeid.** Müra võib kahjustada kuulmist.
- ▶ **Kasutage tarnekomplekti kuuluvaid lisakäepidemeid.** Kontrolli kaotus seadme üle võib põhjustada vigastusi.
- ▶ **Kui teete töid, mille puhul võib tarvik tabada varjatud elektrijuhtmeid või omaenda toitejuhet, hoidke seadet üksnes käepidemete isoleeritud pindadest.** Kokkupuude pingestatud elektrijuhtmega võib seada pinge alla ka seadme metalldetailid ja põhjustada elektrilöögi.

2.3 Täiendavad ohutusnõuded

Inimeste turvalisus

- ▶ Kasutage toodet ainult siis, kui selle tehniline seisukord on veatu.
- ▶ Ärge muutke ega ehitage seadet ümber.
- ▶ Läbistavate tööde korral turvake töödeldava koha taha jääv ala. Murduvad osad võivad välja ja/või alla kukkuda ning teisi inimesi vigastada.
- ▶ Veenduge, et lisakäepide on korrektselt paigaldatud ja nõuetekohaselt kinnitatud. Hoidke seadet ettenähtud käepidemetest alati mõlema käega. Käepidemed peavad olema kuivad, puhtad ja vabad õlist ning rasvast.
- ▶ Kasutage selle toote jaoks üksnes **Hilti** TE-H-ühendusotsaga meisli.
- ▶ Vahetage meisel välja üksnes siis, kui tööriist on horisontaalses asendis, mitte vertikaalselt.
- ▶ Asetage meisel padrunisse, kuni see fikseerub kuuldava klõpsuga kohale ja kollane hoiatusrõngas ei ole enam näha.
- ▶ Kontrollige, kas meisel on korralikult fikseerunud. **TÄHELEPANU:** Korralikult kinnitamata meisel võib põhjustada ohtlikke olukordi!
- ▶ Käivitage seade üksnes töoasendis, mitte transportimisasendis!
- ▶ Tehke töopause ja liigutage sõrmi, et parandada nende verevarustust. Pikemaajaliste tööde korral võib vibratsioon tekitada probleeme sõrmede, käte ja käelligeste veresoontes ja närvisüsteemis.
- ▶ Seadet ei tohi kasutada lapsed, füüsiliselt nõrgad inimesed ja ilma asjaomase koolitusega isikud.
- ▶ Hoidke seadet lastele kättesaamatus kohas.
- ▶ Enne töö algust tehke kindlaks töötamisel tekkiva tolmu ohuklass. Kasutage ametliku kaitseklassiga ehitustolmuimejat, mis vastab kohapeal kehtivatele tolmukaitsemeetmetele.
- ▶ Võimaluse korral kasutage tolmukogurit ja mobiilset tolmuimejat. Pliisisaldusega värvide, teatavat liiki puidu, kvartsisaldusega betooni/müüritise/kivi, mineraalide ja metalli tolm võib kahjustada tervist.
- ▶ Tagage töökohal hea ventilatsioon ja vajaduse korral kandke tekkiva tolmu filtreerimiseks sobivat hingamisteede kaitsemaski. Kokkupuude tolmuga või tolmu sissehingamine võib põhjustada kasutajal või läheduses viibival isikul allergilist reaktsiooni ja/või hingamisteede haigusi. Teatav tolm, nt tamme- või pöögitolm on kantserogeenne, seda eeskätt koosmõjus puidu töötlemise lisaainetega (kromaat, puidukaitsesehendid). Asbesti sisaldavate materjalide töötlemine on lubatud vaid asjaomase kvalifikatsiooniga isikul.

Elektriohutus

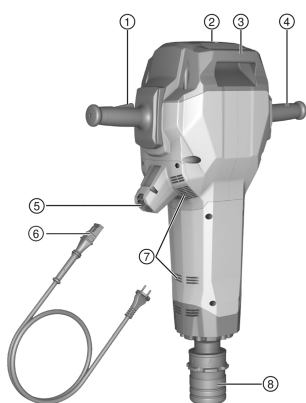
- ▶ Enne töö algust kontrollige tööpiirkond üle ja veenduge, et seal ei ole varjatud elektrijuhtmeid, gaasi- ega veetorusid. Seadme välised metalliosad võivad elektrijuhtme vigastamise korral tekitada elektrilöögi.
- ▶ Kontrollige regulaarselt toitejuhet ja laske see vigastuste korral kvalifitseeritud tehnikul parandada. Kui elektritööriista toitejuhet on kahjustatud, tuleb see asendada spetsiaalselt ette valmistatud ja heakskiidetud toitejuhtmega, mis on saadaval müügiesindustes. Kontrollige regulaarselt pikendusjuhtmeid, kahjustuste korral vahetage need välja. Ärge puudutage toite- või pikendusjuhet, mis on töö ajal kahjustada saanud. Tõmmake seadme võrgupistik pistikupesast välja. Kahjustatud toite- ja pikendusjuhtmed võivad tekitada elektrilöögi.



- ▶ Määratud elektrilisi tööriistu laske juhul, kui töötate elektrit juhtivaid materjale, regulaarselt kontrollida **Hilti** hooldekeskuses. Seadme pinnale kinnitunud tolm või niiskus võib ebasoodsatel tingimustel tekitada elektrilöögi, seda just hea elektrijuhtivusega materjalide puhul.
- ▶ Voolukatkestuse korral lülitage tööriist välja ja eemaldage vooluvõrgust. See hoiab ära seadme soovimatu tööerakendamine voolu taastumisel.

3 Kirjeldus

3.1 Toote ülevaade 1



- ① Käepide koos lülitiga (sisse/välja)
- ② Hooldusnäit
- ③ Käepide
- ④ Käepide
- ⑤ Toitejuhtme pistikühendus
- ⑥ Kodeeritud pistikühendusega toitejuhe
- ⑦ Ventilatsioonivad
- ⑧ Padrunotsak

3.2 Transpordikäru ülevaade 2

- ① Käepide
- ② Laadimiskaitse
- ③ Lukustuskaar
- ④ Hoidik tarvikule (meisel)
- ⑤ Rattad
- ⑥ Ratta kinnitus (seib, splint)
- ⑦ Seadme kinnitamise torn
- ⑧ Käepide

3.3 Kasutusotstarve

Kirjeldatud toode on käsitsi juhitud 28 mm kuuskantpadruniga piikvasar. See on ette nähtud betooni, müüritise ja asfaldi meiseldamiseks. Muud rakendusvõimalused on pinnasetihendus- ja kaevetööd.

- ▶ Seadet võib kasutada vaid siis, kui vooluvõrgu pinge ja sagedus ühtib seadme tüübisildil märgitud võrgupinge ja sagedusega.

3.4 Võimalik väärkasutus

Toode ei ole ette nähtud tervisekahjulike materjalide töötlemiseks.

Toode ei ole ette nähtud niiskes keskkonnas töötamiseks.

3.5 Hooldusnäit

Piikvasaral on võimsuse indikaatorituli, mis on varustatud valgussignaaliga.

Seisund	Tähendus
Hooldusnäit põleb punase tulega.	<ul style="list-style-type: none"> • Käes on hoolduse tähtaeg. Toimetage seade Hilti hooldekeskusesse. • Seade on kahjustatud. Toimetage seade Hilti hooldekeskusesse.



Seisund	Tähendus
Hooldusnäit vilgub punase tulega.	<ul style="list-style-type: none"> Ajutine viga. Oodake 10 sekundit, kuni vilkumine lõpeb. Kui vilkumine 10 sekundi pärast ei lõpe, tõmmake toitepistik pistikupesast välja ja oodake 2 minutit. Kui vilkumine ei lõpe, toimetage seade Hilti hooldekeskusesse.
Töövalmiduse näit vilgub rohelise tulega.	<ul style="list-style-type: none"> Ülekuumenemiskaitse. Laske seadmel jahtuda.
Töövalmiduse näit põleb rohelise tulega.	Seade on töövalmis.



Toimetage seade õigeaegselt **Hilti** hooldekeskusesse. Nii on seade alati töövalmis.

3.6 Active Vibration Reduction

Seade on varustatud Active Vibration Reduction (AVR) süsteemiga, mis vibratsiooni tuntavalt vähendab.

3.7 Tarnekomplekt

Piikvasar, kasutusjuhend, määre.

Teisaldamiskäru pakutakse lisatarvikuna.



Muud süsteemitooded leiate müügiesindusest **Hilti Store** või veebisaidilt: www.hilti.group

4 Tehnilised andmed



Andmed nimipinge, nimivoolu, sageduse ja/või nimivõimsuse kohta leiate andmesildilt.

Generaatori või transformaatori kasutamisel peab selle väljundvõimsus olema vähemalt kaks korda suurem kui seadme tüübisildile märgitud nimisindvõimsus. Transformaatori või generaatori tööpinge peab olema kogu aeg vahemikus + 5% ja - 15% seadme nimipingest.

	TE 3000-AVR
Kaal EPTA-Procedure 01 kohaselt	27,1 kg
Löögienergia EPTA-Procedure kohaselt	85 J
Hoiutemperatuur	-20 °C ... 70 °C
Ümbritseva keskkonna temperatuur töötamise ajal	-20 °C ... 55 °C

4.1 Andmed müra ja vibratsiooni kohta vastavalt standardile EN 60745

Käesolevas kasutusjuhendis toodud helirõhu- ja vibratsioonitase on mõõdetud standarditud mõõtemeetodil ning asjaomaseid näitajaid saab kasutada elektriliste tööriistade võrdlemiseks. Need sobivad ka müra- ja vibratsioonitaseme esialgseks hindamiseks. Toodud näitajad iseloomustavad elektrilise tööriista põhilisi ettenähtud töid. Kui aga elektrilist tööriista kasutatakse muul otstarbel, teiste tarkikutega või kui tööriista on ebapiisavalt hooldatud, võivad näitajad käesolevas juhendis toodud näitajatest kõrvale kalduda. See võib vibratsiooni- ja mürataset töötamise koguperioodil tunduvalt suurendada. Müra- ja vibratsioonitaseme täpseks hindamiseks tuleb arvesse võtta ka aega, mil tööriist oli välja lülitatud või küll sisse lülitatud, kuid tegelekult tööle rakendamata. See võib vibratsiooni- ja mürataset töötamise koguperioodil tunduvalt vähendada. Seadme kasutaja kaitsmiseks müra ja/või vibratsiooni eest rakendage täiendavaid kaitseabinõusid, näiteks: hooldage seadet ja tarkivikud korralikult, hoidke käed soojad, tagage sujuv töökorraldus.

Teave müra kohta

Helivõimsustase (L_{WA})	106 dB(A)
Helivõimsustaseme mõõtemääramatus (K_{WA})	3 dB(A)



Helirõhutase (L_{pA})	95 dB(A)
Helirõhutase meõõtemäärarmatus (K_{pA})	3 dB(A)

Teave vibratsiooni kohta

Meiseldamine ($a_{h, Cheq}$)	6,9 m/s ²
Mõõtemäärarmatus (K)	1,5 m/s ²

4.2 Pikendusjuhtmete kasutamine

HOIATUS

Kahjustatud toitejuhe on ohtlik! Ärge puudutage toitejuhet, kui see on töö käigus vigastada saanud. Tõmmake seadme pistik elektrikontaktist välja.

- ▶ Kontrollige regulaarselt seadme toitejuhet ja vigastuste tuvastamisel laske see elektriala asjatundjal välja vahetada.
- Kasutage ainult kasutusotstarbeks lubatud piisava ristlõikega pikendusjuhtmeid. Vastasel korral võib seadme jõudlus väheneda ja juhe üle kuumeneda.
- Kontrollige, ega pikendusjuhe ei ole kahjustatud.
- Vigastatud pikendusjuhe vahetage välja.
- Välistingimustes töötades kasutage ainult selleks ettenähtud ja vastava märgistusega pikendusjuhtmeid.

Juhtme soovituslikud minimaalsed ristlõiked ja maksimaalsed pikkused leiate käesoleva kasutusjuhendi lõpust ruutkoodina.

5 Töö ettevalmistamine

ETTEVAATUST

Vigastuste oht! Seadme soovimatu käivitumine.

- ▶ Enne seadme seadistamist ja tarvikute vahetamist tõmmake pistik pistikupesast välja.

Järgige kasutusjuhendis esitatud ja tootele märgitud ohutusnõudeid ja hoiatusi.

5.1 Tarvik



Kasutage selle toote jaoks üksnes **Hilti**-meisliit, millel on **TE-H**-ühendusots.

Teised meisliid ei lukustu korrektselt ja kollane hoiatusrõngas jääb nähtavaks. See näitab, tarvik piikvasara jaoks ei sobi!

- ▶ Iga kord enne kasutamist veenduge, et kollane hoiatusrõngas padruni lukustusel ei ole enam nähtav.

5.2 Tarviku paigaldamine



Iga kord enne kasutamist kontrollige tarvikut kahjustuste ja ebaühtlase kulumise suhtes ning vajaduse korral vahetage see välja.

1. Määrige tarviku padrunisse kinnitavat osa veidi.
2. Torgake meisel **TE-H**-ühendusotsaga nii kaugele padrunisse, kuni see kuuldava klõpsuga kohale fikseerub ja kollane hoiatusrõngas ei ole enam nähtav.
3. Tõmmake tarvikust, et kontrollida, kas see on kindlalt kinni.



Kasutage üksnes **Hilti** originaalmääret. Mittesobiva määre kasutamine võib seadet kahjustada.

5.3 Pistikühendusega võrgujuhtme ühendamise

ETTEVAATUST

Vigastuste oht põhjustatud lekkevoolust määratud kontaktide puhul.

- ▶ Ühendage lahutatav elektripistikühendus seadmega vaid siis, kui see on puhas, kuiv ja pingevaba.



1. Viige kodeeritud lahutatav pistik lõpuni seadmesse, kuni lukustus kuuldavalt kohale fikseerub.
2. Ühendage võrgupistik pistikupessa.



Hilti soovib jätta pistikühendusega võrgujuhtme alati tööriista külge. Pistikühendusega võrgujuhe tuleb eemaldada ainult purunemise / kahjustada saamise korral.

6 Töötamine



HOIATUS

Kahjustatud toitejuhe on ohtlik! Kui töötamisel saab toite- või pikendusjuhe kahjustada, lahtuage seade ja juhe võrgust kohe lahti. Defektset kohta ärge puudutage!

- ▶ Kontrollige regulaarselt kõiki ühendusjuhtmeid. Defektsed pikendusjuhtmed vahetage välja. Kahjustada saanud võrgujuhtmed laske välja vahetada elektriala spetsialistil.

Soovitame kasutada maksimaalselt 30 mA käivitusvooluga rikkevoolukaitselüliti (RCD).

6.1 Piikvasara käivitamine 6

1. Vajutage ühekorraga käepidemele ja toitelülile.
 - ▶ Piikvasar käivitub.
2. Hoidke töötamise ajal lüliti (sisse/välja) allavajutatult.
 - ▶ Lisaks saab käepidemele vajutamisega reguleerida seadme jõudlust.



Kui töökatkestus on pikem kui 1 minut, läheb seade uuesti lähteasendisse. Uueks käivitamiseks vajutage uuesti käepidemele ja lülile (sisse/välja).

6.2 Meiseldamine 7



Meislit saab lukustada 6 erinevasse asendisse (60° sammuga). Nii on lapik- ja profiilimeislitega võimalik alati töötada optimaalses tööasendis.

1. Ühendage võrgupistik pistikupessa.
2. Asetage meisel servast umbes 80-100 mm (3 1/8" - 4") kaugusele.
3. Vajutage käepidemele ja lülile (sisse/välja).
4. Alustage meiseldamist betooni pinna suhtes 90° nurga all ja suunake ots serva poole. Seejärel liikuge 70° kuni 80° nurga alla ja purustage materjal.
 - ▶ Armatuurraua puhul juhtige meislit alati vastu materjali serva, mitte vastu armatuurrauda.



Töötamine madalatel temperatuuridel:

Löögimehhanism hakkab tööle teatud temperatuuril. Selle saavutamiseks asetage seade hetkeks maha ja laske sellel töötada tühkäigul. Vajadusel korrake seda protsessi niikaua, kuni löögimehhanism käivitub.

6.3 Tarviku eemaldamine 8



HOIATUS

Vigastuste oht Tarvik kuumeneb kasutamisel ja võib olla teravate servadega.

- ▶ Tarvikut vahetades kandke kaitsekindaid!

1. Tõmmake seadme võrgupistik pistikupesast välja.
2. Tõmmake tarviku lukustus lõpuni tagasi.
3. Eemaldage tarvik.
4. **⚠ TÄHELEPANU!** Ärge asetage kuuma tööriista tuleohtlikele materjalidele.

6.4 Pistikühendusega võrgujuhtme lahtiühendamine elektrilise tööriista küljest

1. Tõmmake seadme võrgupistik pistikupesast välja.
2. Vajutage lukustusnupule ja tõmmake kodeeritud eemaldatav pistik välja.



3. Eemaldage võrgujuhe seadmest.



Hilti soovib jätta pistikühendusega võrgujuhtme alati tööriista külge. Pistikühendusega võrgujuhe tuleb eemaldada ainult purunemise / kahjustada saamise korral.

7 Hooldus ja korrashoid



HOIATUS

Elektrilöögi oht! Seadme hooldus- ja korrashoiutööd toitevõrku ühendatud toitepistikuga võivad põhjustada raskeid vigastusi ja põletusi.

- ▶ Tõmmake toitepistik pistikupesast välja iga kord enne hooldus- ja korrashoiutööde tegemist!

Hooldus

- Kõvasti kinni olev mustus eemaldage ettevaatlikult.
- Puhastage ventilatsiooniavad ettevaatlikult kuiva harjaga.
- Puhastage korpust kergelt niiske lapiga. Ärge kasutage silikooni sisaldavaid hooldusvahendeid, sest need võivad kahjustada seadme plastdetaila.

Korrashoid



HOIATUS

Elektrilöögi oht! Elektridetailide asjatundmatu parandamine võib kaasa tuua raskeid vigastusi ja põletusi.

- ▶ Elektridetailaile tohivad parandada ainult elektriala asjatundjad.
- Kontrollige regulaarselt nähtavate osade ja juhtelementide laitmatut töökorda.
- Kahjustuste ja/või tõrgete korral ei tohi seadet kasutada. Laske tööriist kohe **Hilti** teeninduskeskuses parandada.
- Pärast hooldus- ja remonttööd paigaldage kõik kaitseseadised ja kontrollige nende töökorda.



Tööohutuse tagamiseks kasutage ainult originaalvaruosi ja -materjale. Teie tootega sobivad ja meie poolt heakskiidetud varuosad, materjalid ja tarvikud leiате kauplusest **Hilti Store** või veebilehelt: www.hilti.group.

8 Transport ja hoiustamine

Transport

- ▶ Ärge transportige seadet selle külge kinnitatud tarvikutega.
- ▶ Transportimisel veenduge, et seade seisab kindlalt paigal.
- ▶ Kontrollige iga kord pärast transportimist, kas kõik nähtavad osad on kahjustamata ja juhtelemendid töötavad veatult.

Hoiustamine

- ▶ Seadet tohib hoiustada üksnes siis, kui toitepistik on toitevõrgust eemaldatud.
- ▶ Hoiustage toodet kuivas, lastele ja kõrvalistele isikutele kättesaamatus kohas.
- ▶ Kontrollige pärast pikemat seisuaega, kas kõik nähtavad osad on kahjustamata ja juhtkomponendid on laitmatus töökorras.

8.1 Transport teisaldamiskäru abil



HOIATUS

Suurest kaalust tingitud vigastusoht Piikvasar on raske.

- ▶ Võimaluse korral kasutage alati teisaldamiskäru. Kui teisaldamiskäru käepärast ei ole, transportige piikvasarat alati kahekesi.



Ärge asetage käru kaldpindadele.

Veenduge, et teisaldamiskäru on stabiilses asendis.

Veenduge, et transporditee on ohutu ja vaba takistustest.

1. Asetage piikvasar teisaldamiskäru kinnitustorni peale.
2. Teisaldamise ajal lukustage piikvasar lukustushoova abil.



3. Torgake meisel kuni fikseerumisasendini tarviku hoidikusse.

9 Abi tõrgete puhul

Kui peaks esinema tõrge, mida ei ole järgmises tabelis nimetatud või mida Te ei suuda ise kõrvaldada, pöörduge **Hilti** hooldekeskusse.

9.1 Veatsing

Tõrge	Võimalik põhjus	Lahendus
Piikvasar ei käivitu.	Käigus on elektroonika initsialiseerimine (kuni umbes 4 sekundi jooksul pärast pistiku ühendamist pistikupesasa)	▶ Lülitage seade välja ja uuesti sisse.
	Vooluvarustus katkenud	▶ Ühendage vooluvõrku mõni teine elektriseade ja kontrollige, kas see töötab.
	Elektrooniline käivitustõkis on pärast voolukatkestust aktiveerunud	▶ Lülitage seade välja ja uuesti sisse.
	Generaator ooterežiimil	▶ Kasutage generaatorit mõne teise tarviga (nt ehitusplatsil kasutatav lamp). Lülitage seade välja ja uuesti sisse.
	Pistikühendusega võrgujuhe ei ole korrektselt ühendatud	▶ Ühendage pistikühendusega võrgujuhe elektrilise tööriista külge korrektselt.
Hooldusnäit põleb punase tulega.	Seade on kahjustatud või on saabunud hoolduse tähtaeg	▶ Laske seadet parandada üksnes Hilti hooldekeskuses.
Hooldusnäit vilgub punase tulega.	Ajutine viga	▶ Oodake 10 sekundit, kuni vilkumine lõpeb. ▶ Kui vilkumine 10 sekundi pärast ei lõpe, tõmmake võrgupistik pistikupesast välja ja oodake 2 minutit. ▶ Kui vilkumine ei lõpe, toimetage seade Hilti hooldekeskusesse.
	Vooluvõrgu pinge on liiga kõrge	▶ Vahetage pistikupesa välja. Kontrollige võrku.
Töövalmiduse näit vilgub rohelise tulega.	Ülekuumenemiskaitse	▶ Laske seadmel jahtuda. ▶ Puhastage ventilatsioonivad. Töötamine tühikäigul on veel võimalik.
Puudub löögifunktsioon.	Seade on liiga külm	▶ Asetage piikvasar maha ja laske sellel töötada tühikäigul. Vajaduse korral korrake toimingut, kuni löögimehhanism töötab.
Piikvasar töötab tugevasti vähendatud sagedusega.	Tühilööök (meisel ei löö vastu kõva aluspinda)	▶ Vabastage lüliti ja käivitage seade uuesti või: ▶ Kui toitelüliti on alla vajutatud, vajutage ka käepide lõpuni sisse.
Piikvasar ei käivitu või lülitub töötamisel välja.	Pikendusjuhe on liiga pikk ja / või liiga väikese ristlõikega	▶ Kasutage ettenähtud pikkuse ja/või piisava ristlõikega pikendusjuhet.



10 Utiliseerimine

Hilti seadmed on suures osas valmistatud taaskasutatavatest materjalidest. Taaskasutuse eelduseks on materjalide korralik sorteerimine. Paljudes riikides kogub **Hilti** kasutusressursi ammendanud seadmed kokku. Lisateavet saate **Hilti** müügiesindusest.



- ▶ Ärge visake kasutusressursi ammendanud elektrilisi tööriistu, elektroonikaseadmeid ja akusid olmejäätmete hulka!

11 RoHS (direktiiv ohtlike ainete kasutamise piirangute kohta)

Järgmiselt lingilt leiate ohtlike ainete tabeli: qr.hilti.com/r11668382.

RoHS-tabeli juurde viiva lingi leiate käesoleva dokumendi lõpust QR-koodina.

12 Tootja garantii

- ▶ Kui Teil on küsimusi garantiitingimuste kohta, pöörduge **Hilti** müügiesindusesse.

Originaaläe lietošanas instrukcija

1 Informācija par dokumentāciju

1.1 Par šo dokumentāciju

- Pirms ekspluatācijas sākšanas obligāti izlasiet šo dokumentāciju. Tas ir priekšnoteikums darba drošībai un izstrādājuma lietošanai bez traucējumiem.
- Ievērojiet drošības norādījumus un brīdinājumus, kas atrodami šajā dokumentācijā un uz izstrādājuma.
- Vienmēr glabājiet lietošanas instrukciju izstrādājuma tuvumā un nododiet to kopā ar izstrādājumu, ja tas tiek nodots citām personām.

1.2 Apzīmējumu skaidrojums

1.2.1 Brīdinājumi

Brīdinājumi pievērš uzmanību bīstamībai, kas pastāv, strādājot ar izstrādājumu. Tiek lietoti šādi signālvārdi:

BĪSTAMI!

BĪSTAMI! !

- ▶ Pievērš uzmanību draudošām briesmām, kas var izraisīt smagus miesas bojājumus vai nāvi.

BRĪDINĀJUMS!

BRĪDINĀJUMS! !

- ▶ Pievērš uzmanību iespējamam apdraudējumam, kas var izraisīt smagas traumas vai pat nāvi.

IEVĒROT PIESARDZĪBU!

UZMANĪBU! !

- ▶ Norāda uz iespējami bīstamām situācijām, kas var izraisīt traumas vai materiālos zaudējumus.

1.2.2 Dokumentācijā lietotie simboli

Šajā dokumentācijā tiek lietoti šādi simboli:



Pirms lietošanas izlasiet instrukciju



Norādījumi par lietošanu un cita noderīga informācija



Rīcība ar otrreiz pārstrādājamiem materiāliem





Neizmetiet elektroiekārtas un akumulatorus sadzīves atkritumos.

1.2.3 Attēlos lietotie simboli

Attēlos tiek lietoti šādi simboli:

	Šie skaitļi norāda uz attiecīgajiem attēliem, kas atrodami šīs instrukcijas sākumā.
3	Numerācija attēlos atbilst veicamo darbību secībai un var atšķirties no darbību apraksta tekstā.
	Pozīciju numuri tiek lietoti attēlā Pārskats un norāda uz legendas numuriem sadaļā Izstrādājuma pārskats .
	Šī simbola uzdevums ir pievērst īpašu uzmanību izstrādājuma lietošanas laikā.

1.3 Simboli uz izstrādājuma

1.3.1 Simboli uz izstrādājuma

Uz izstrādājuma var tikt lietoti šādi simboli:

	Aizsardzības klase II (divkārša izolācija)
	Aizliegts transportēt ar celtņi
	Bezvadu datu pārnese

1.4 Izstrādājuma informācija

izstrādājumi ir paredzēti profesionāliem lietotājiem, un to darbināšanu, apkopi un tehniskā stāvokļa uzturēšanu drīkst veikt tikai kvalificēts, atbilstīgi apmācīts personāls. Personālam ir jābūt labi informētam par iespējamajiem riskiem, kas var rasties darba laikā. Izstrādājums un tā papildaprīkojums var radīt bīstamas situācijas, ja to uztic neprofesionālam personālam vai nelieto atbilstīgi nosacījumiem. Iekārtas tipa apzīmējums un sērijas numurs ir norādīti uz identifikācijas datu plāksnītes.

- Ierakstiet sērijas numuru zemāk redzamajā tabulā. Izstrādājuma dati jānorāda, vērstoties mūsu pārstātvienībā vai servisā.

Izstrādājuma dati

Atskaldāmais āmurs	TE 3000-AVR
Paaudze	03
Sērijas Nr.	

1.5 Atbilstības deklarācija

Uzņemoties pilnu atbildību, mēs apliecinām, ka šeit aprakstītais izstrādājums atbilst šādām direktīvām un standartiem: Atbilstības deklarācijas attēls ir atrodams šīs dokumentācijas beigās.

Tehniskā dokumentācija ir saglabāta šeit:

Hilti Entwicklungsgesellschaft mbH | Zulassung Geräte | Hiltistraße 6 | 86916 Kaufering, DE

2 Drošība

2.1 Vispārīgi drošības norādījumi par darbu ar elektroiekārtām

⚠ BRĪDINĀJUMS! Iepazīstieties ar visiem drošības norādījumiem, instrukcijām, attēliem un tehniskajiem parametriem, kas attiecas uz šo elektroiekārtu. Turpmāk izklāstīto instrukciju neievērošana var izraisīt elektrošoku, ugunsgrēku un/vai nopietnas traumas.

Saglabājiet visus drošības norādījumus un instrukcijas turpmākai lietošanai.

Drošības norādījumos lietotais apzīmējums "elektroiekārta" attiecas uz iekārtām ar tīkla barošanu (ar barošanas kabeli) vai iekārtām ar barošanu no akumulatora (bez kabeļa).



Drošība darba vietā

- ▶ **Uzturiet darba vietā tīrību un kārtību un nodrošiniet labu apgaismojumu.** Nekārtīgā darba vietā vai sliktā apgaismojumā var viegli notikt nelaimes gadījums.
- ▶ **Nestrādājiet ar elektroiekārtu sprādzienbīstamā vidē, kur atrodas uzliesmojoši šķidrums, gāzes vai putekļi.** Darbības laikā elektroiekārtas mēdz dzirksteļot, un tas var izraisīt viegli uzliesmojošu putekļu vai tvaiku aizdegšanos.
- ▶ **Lietojot elektroiekārtu, neļaujiet nepiederošām personām un jo īpaši bērniem tuvoties darba vietai.** Citu personu klātbūtne var novērst uzmanību, un tā rezultātā jūs varat zaudēt kontroli pār iekārtu.

Elektrodrošība

- ▶ **Elektroiekārtas kontaktdakšai jāatbilst elektrotīkla kontaktligzdai. Kontaktdakšas konstrukciju nedrīkst nekādā veidā mainīt.** Kopā ar elektroiekārtām, kurām ir aizsargzeme, nedrīkst lietot adapteru spraudņus. Neizmaiņas konstrukcijas kontaktdakša, kas atbilst kontaktligzdai, ļauj samazināt elektrošoka risku.
- ▶ **Darba laikā nepieskarieties sazemētiem priekšmetiem, piemēram, caurulēm, radiatoriem, plītiņiem vai ledusskapjiem.** Pieskaroties sazemētām virsmām, pieaug risks saņemt elektrisko triecienu.
- ▶ **Nelietojiet elektroiekārtu lietus laikā, neturiet to mitrumā.** Mitrumam iekļūstot elektroiekārtā, pieaug risks saņemt elektrisko triecienu.
- ▶ **Nenesiet un nepakariniet elektroiekārtu aiz barošanas kabeļa un neraujiet aiz kabeļa, ja vēlaties atvienot iekārtu no elektrotīkla kontaktligzdas. Sargājiet barošanas kabeli no karstuma, eļļas, asām šķautnēm vai kustīgām detaļām.** Bojāts vai sapīņķerējis barošanas kabelis var kļūt par cēloni elektrošokam.
- ▶ **Darbinot elektroiekārtu ārpus telpām, izmantojiet tās pievienošanai vienīgi tādus pagarinātājkabeļus, kas ir paredzēti lietošanai brīvā dabā.** Lietojot elektrokabeļi, kas ir piemērots darbam ārpus telpām, samazinās elektrošoka risku.
- ▶ **Ja elektroiekārtas izmantošana slapjā vidē ir obligāti nepieciešama, lietojiet bojājumstrāvas aizsargslēdzi.** Bojājumstrāvas aizsargslēdža lietošana samazina elektrošoka risku.

Personiskā drošība

- ▶ **Strādājiet ar elektroiekārtu uzmanīgi, darba laikā saglabājiet paškontroli un rīkojieties saskaņā ar veselo saprātu. Ar elektroiekārtu nedrīkst strādāt personas, kas ir nogurušas vai atrodas narkotiku, alkohola vai medikamentu ietekmē.** Mirkļis neuzmanības, strādājot ar elektroiekārtu, var novest pie nopietnām traumām.
- ▶ **Izmantojiet individuālos aizsardzības līdzekļus un darba laikā vienmēr valkājiet aizsargbrilles.** Individuālo aizsardzības līdzekļu (putekļu aizsargmaskas, neslidošu apavu un aizsargķiveres vai ausu aizsargu) lietošana atbilstoši elektroiekārtas tipam un veicamā darba raksturam ļauj izvairīties no savainojumiem.
- ▶ **Nepieļaujiet iekārtas nekontrolētas ieslēgšanās iespēju. Pirms pievienošanas elektrotīklam, akumulatora ievietošanas, elektroiekārtas satveršanas vai pārvietošanas pārliecinieties, ka tā ir izslēgta.** Ja iekārtas pārvietošanas laikā pirksts atrodas uz slēdža vai ja ieslēgta iekārta tiek pievienota elektrotīklam, var notikt nelaimes gadījums.
- ▶ **Pirms elektroiekārtas ieslēgšanas jānoņem visi regulēšanas piederumi un uzgriežņu atslēgas.** Regulēšanas piederumi vai uzgriežņu atslēga, kas iekārtas ieslēgšanas brīdī atrodas iekārtā, var radīt traumas.
- ▶ **Izvairieties no nedabiskām pozām. Darba laikā vienmēr saglabājiet līdzsvaru un nodrošinieties pret paslīdēšanu.** Tas atvieglos elektroiekārtas vadību neparedzētās situācijās.
- ▶ **Izvēlieties darbam piemērotu apģērbu. Darba laikā nenēsājiet brīvi plandošas drēbes un rotaslietas. Netuviniet matus, apģērbu un aizsargcimdus iekārtas kustīgajām daļām.** Vaļiņas drēbes, rotaslietas un garī mati var ieķerties iekārtas kustīgajās daļās.
- ▶ **Ja elektroiekārtas konstrukcija ļauj pievienot putekļu nosūkšanas vai savākšanas ierīci, sekojiet, lai tā būtu pievienota un tiktu darbināta pareizi.** Putekļu nosūcēja lietošana samazina putekļu kaitīgo ietekmi.
- ▶ **Nezaudējiet modrību un neatkāpieties no elektroiekārtu lietošanas drošības noteikumu ievērošanas arī tad, ja lietojat attiecīgo elektroiekārtu bieži un kārtīgi to pārzināt.** Neuzmanība vienā sekundes daļā var novest pie smagām traumām.

Elektroiekārtas lietošana un apkope

- ▶ **Nepārslogojiet elektroiekārtu. Katram darbam izvēlieties piemērotu iekārtu.** Elektroiekārta darbosies labāk un drošāk pie nominālās slodzes.
- ▶ **Nelietojiet elektroiekārtu, ja ir bojāts tās slēdzis.** Elektroiekārta, ko nevar ieslēgt un izslēgt, ir bīstama un nekavējoties jānodod remontā.



- ▶ **Pirms iestatījumu veikšanas, aprīkojuma daļu nomaiņas vai iekārtas novietošanas uzglabāšanā atvienojiet kontaktdakšu no elektrotīkla un/vai noņemiet noņemamo akumulatoru.** Šādi jūs novērsīsiet elektroiekārtas nejaušas ieslēgšanās risku.
- ▶ **Elektroiekārtu, kas netiek darbināta, uzglabājiet piemērotā vietā. Neļaujiet lietot iekārtu personām, kas nav iepazinušas ar tās funkcijām un izlasījušas šo lietošanas instrukciju.** Ja elektroiekārtu lieto nekompententas personas, tas var apdraudēt cilvēku veselību.
- ▶ **Rūpīgi veiciet elektroiekārtu un to piederumu apkopi. Pārbaudiet, vai kustīgās daļas darbojas bez traucējumiem un neķeras un vai kāda no daļām nav salauzta vai bojāta un tādējādi netraucē elektroiekārtas nevainojamu darbību. Raugieties, lai pirms iekārtas lietošanas tiktu nomaiņits vai saremontētas bojātās daļas.** Daudzi nelaimes gadījumi notiek tāpēc, ka elektroiekārtām nav nodrošināta pareiza apkope.
- ▶ **Griezējinstrumentiem vienmēr jābūt uzasinātiem un tīriem.** Rūpīgi kopti griezējinstrumenti ar asām šķautnēm retāk iestrēgst un ir vieglāk vadāmi.
- ▶ **Lietojiet elektroiekārtu, piederumus, maināmos instrumentus utt. saskaņā ar šiem norādījumiem. Jāņem vērā arī konkrētie darba apstākļi un veicamās operācijas īpatnības.** Elektroiekārtu lietošana citiem mērķiem, nekā to ir paredzējusi ražotājfirma, ir bīstama un var izraisīt neparedzamas sekas.
- ▶ **Raugieties, lai rokturu un satveršanas virsmas būtu sausas, tīras, nenotraipītas ar eļļu un smērvielām.** Ja rokturu vai satveršanas virsmas ir slidenas, nav iespējama droša elektroiekārtas vadība un kontrole neparedzamās situācijās.

Serviss

- ▶ **Uzdodiet elektroiekārtas remontu veikt tikai kvalificētam personālam, kas izmanto vienīgi oriģinālās rezerves daļas.** Tikai tā ir iespējams saglabāt elektroiekārtas funkcionālo drošību.

2.2 Drošības noteikumi darbam ar perforatoriem

Drošības norādījumi visiem darbiem

- ▶ **Lietojiet dzirdes aizsargaprīkojumu.** Trokšņa iedarbība var radīt dzirdes zudumu.
- ▶ **Lietojiet kopā ar iekārtu piegādātos papildu rokturus.** Kontroles zudums var kļūt par cēloni traumām.
- ▶ **Ja pastāv iespēja, ka instruments var skart aplēptus elektriskos vadus vai pašas iekārtas barošanas kabeli, iekārta vienmēr jātur aiz izolētajām rokturu virsmām.** Saskaroties ar spriegumam pieslēgtiem vadiem, spriegums tiek novadīts uz iekārtas metāla daļām, radot elektrošoka risku.

2.3 Papildnorādījumi par drošību

Personīgā drošība

- ▶ Lietojiet izstrādājumu tikai tad, ja tas ir nevainojamā tehniskajā stāvoklī.
- ▶ Nekādā gadījumā nemēģiniet ietekmēt izstrādājuma funkcijas vai to pārveidot.
- ▶ Pirms laušanas vai urbšanas darbiem, kas šķērso būvkonstrukciju daļas, atbilstoši jānodrošina attiecīgās būvkonstrukcijas daļas pretējā puse. Atlūzušās materiāla daļas var izkrist caur atveri un/vai nokrist un savainot cilvēkus.
- ▶ Pārliecinieties, vai sānu rokturis ir piemontēts pareizi un kārtīgi nostiprināts. Vienmēr stingri turiet iekārtu ar abām rokām aiz šim nolūkam paredzētajiem rokturiem. Gādājiet, lai rokturi būtu sausi, tīri, nenotraipīti ar eļļu un smērvielām.
- ▶ Lietojiet kopā ar šo izstrādājumu tikai **Hilti** kaltus ar savienojuma galu TE-H.
- ▶ Nomainiet kalnu tikai tad, kad instruments ir horizontālā pozīcijā, nekādā gadījumā – vertikālā.
- ▶ Iespraudiet kalnu instrumenta patronā tik dziļi, līdz tas nofiksējas ar sadzirdamu klikšķi un vairs nav redzams dzeltenais signālgredzens.
- ▶ Pārbaudiet, vai kalns ir kārtīgi nofiksējis. **UZMANĪBU!** Nenofiksēts kalns var izraisīt negaidītas, bīstamas situācijas!
- ▶ Iedarbiniet šo izstrādājumu tikai tad, kad tas atrodas darba pozīcijā, nevis transporta pozīcijā!
- ▶ Darba pārtraukumos veiciet pirkstu vingrinājumus, kas uzlabo asinsriti. Ilgstoša darba gadījumā vibrācija var radīt traucējumus pirkstu, roku vai plaukstu locītavu asinsvadu un nervu sistēmas funkcijās.
- ▶ Izstrādājums nav paredzēts, lai to lietotu bērni, kā arī personas ar nepietiekamām fiziskajām spējām vai neapmācītas personas.
- ▶ Raugieties, lai iekārta nebūtu pieejama bērniem.
- ▶ Pirms darba sākšanas noskaidrojiet darba laikā radošos putekļu bīstamības kategoriju. Lietojiet celtniecības putekļsūcēju ar oficiālas sertifikācijas ietvaros piešķirtu drošības klasifikāciju, kas atbilst vietējiem putekļu ietekmes ierobežošanas normatīviem.



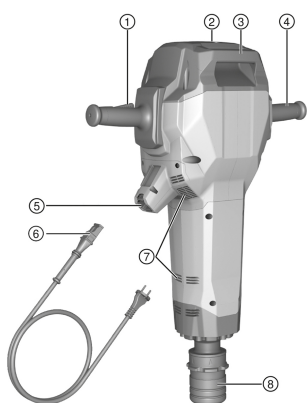
- ▶ Ja iespējams, lietojiet putekļu nosūkšanas sistēmu un piemērotu mobilo putekļsūcēju. Putekļi, ko rada tādi materiāli kā, piemēram, svīnu saturoša krāsa, dažī koksnes veidi, betons / mūris / kvarcu saturoši akmeņi, minerāli un metāls, var būt kaitīgi veselībai.
- ▶ Nodrošiniet darba vietā labu ventilāciju un, ja nepieciešams, valkājiet elpceļu aizsargmasku, kas aizsargā pret attiecīgā veida putekļiem. Saskare ar šiem putekļiem vai to ieelpošana var izraisīt lietotāja vai citu tuvumā esošo personu alerģiskas reakcijas un/vai elpceļu saslimšanas. Noteikti putekļu veidi, piemēram, ozola un skābarža koksnes putekļi, tiek uzskatīti par kancerogēniem – sevišķi kopā ar kokapstrādē izmantojamām vielām (hromātiem, koksnes aizsarglīdzekļiem). Azbestu saturošus materiālus drīkst apstrādāt tikai kompetenti speciālisti.

Elektrodrošība

- ▶ Pirms darba sākšanas pārbaudiet, vai darba zonā neatrodas nesepti elektrības vadi, gāzes vai ūdensapgādes caurules. Nejauši sabojājot zem sprieguma esošus vadus, iekārtas ārējās metāla daļas var izraisīt elektrošoku.
- ▶ Regulāri pārbaudiet šī izstrādājuma barošanas kabeli un nepieciešamības gadījumā nododiet to kompetentam speciālistam remonta vai nomaiņas veikšanai. Ja ir bojāts elektroinstrumenta barošanas kabelis, tas jānomaina pret speciāli aprīkotu un sertificētu kabeli, ko piedāvā klientu apkalpošanas organizācija. Regulāri pārbaudiet pagarinātājkabeļus un bojājumu gadījumā nomainiet tos. Ja darba laikā tiek bojāts barošanas vai pagarinātāja kabelis, nepieskarieties tam. Atvienojiet iekārtu no elektrotīkla. Bojāti barošanas kabeļi un pagarinātāji slēpj elektriskā trieciena risku.
- ▶ Ja bieži tiek apstrādāti elektrību vadoši materiāli, ar tiem piesārņotās elektroiekārtas regulāri jānodod pārbaudīšanai **Hilti** servisā. Uz iekārtas ārējās virsmas esošie putekļi, kas galvenokārt ir uzkrājušies no vadītspējīgiem materiāliem, vai mitrums nelabvēlīgos apstākļos var izraisīt elektrisku triecienu.
- ▶ Ja tiek pārtraukta sprieguma padeve, elektroiekārta jāizslēdz un jāatvieno no elektrotīkla. Tas palīdzēs izvairīties no izstrādājuma nekontrolētas ieslēgšanās, kad tiks atjaunota sprieguma padeve.

3 Apraksts

3.1 Izstrādājuma pārskats



- ① Rokturis ar ieslēgšanas / izslēgšanas slēdži
- ② Servisa indikācija
- ③ Pārnēsāšanas rokturis
- ④ Rokturis
- ⑤ Barošanas kabeļa kontaktspraudnis
- ⑥ Barošanas kabelis ar kodētu kontaktspraudni
- ⑦ Ventilācijas atveres
- ⑧ Instrumenta patrona

3.2 Transportēšanas ratiņu pārskats

- ① Rokturis
- ② Kravas nodrošinājums
- ③ Bloķēšanas stīpa
- ④ Patērējamā materiāla turētājs (kalts)
- ⑤ Riteņi
- ⑥ Riteņa fiksācija (paplāksne, šķelttapa)
- ⑦ Iekārtas nostiprināšanas rēdze
- ⑧ Pārnēsāšanas rokturis

3.3 Nosacījumiem atbilstīga lietošana

- Aprakstītais izstrādājums ir manuāli vadāms atskaldāmāis āmurs ar 28 mm sešstūra instrumenta patronu. Tas ir paredzēts kalšanas darbiem betonā, mūrī un asfalta. To var izmantot arī blietēšanas un rakšanas darbos.
- ▶ Iekārtas darbināšanai drīkst lietot tikai uz identifikācijas datu plāksnītes norādīto barošanas spriegumu un frekvenci.



3.4 Varbūtējā nepareizā lietošana

Šis izstrādājums nav paredzēts veselībai bīstamu materiālu apstrādāšanai.

Šis izstrādājums nav paredzēts darbam slapjā vidē.

3.5 Servisa indikācija

Atskaldāmajam āmurem ir servisa indikācija ar gaismas signālu.

Statuss	Nozīme
Servisa indikācija deg sarkanā krāsā.	<ul style="list-style-type: none"> Pienācis laiks servisa darbiem. Nogādājiet izstrādājumu Hilti servisā. Izstrādājums ir bojāts. Nogādājiet izstrādājumu Hilti servisā.
Servisa indikācija mirgo sarkanā krāsā.	<ul style="list-style-type: none"> Pārejoša kļūme. Nogaidiet 10 sekundes, līdz mirgošana beidzas. Ja mirgošana pēc 10 s turpinās, atvienojiet barošanas kabeli un nogaidiet 2 minūtes. Ja mirgošana joprojām nebeidzas, nogādājiet izstrādājumu Hilti servisā.
Gatavības indikācija mirgo zaļā krāsā.	<ul style="list-style-type: none"> Termiskā aizsardzība. Ļaujiet izstrādājumam atdzist.
Gatavības indikācija deg zaļā krāsā.	Izstrādājums ir gatavs darbam.

Savlaicīgi nododiet izstrādājumu **Hilti** servisā. Tad tas vienmēr būs gatavs darbam.

3.6 Active Vibration Reduction

Izstrādājums ir aprīkots ar sistēmu Active Vibration Reduction (AVR), kas ievērojami samazina vibrāciju.

3.7 Piegādes komplektācija

Atskaldāmais āmurs, lietošanas instrukcija, smērviela.

Transportēšanas ratiņi tiek piedāvāti opcijas veidā.

Citus šim izstrādājumam izmantojamus sistēmas produktus meklējiet **Hilti Store** vai tīmekļvietnē: www.hilti.group

4 Tehniskie parametri

Nominālā sprieguma, nominālās strāvas, frekvences un/vai nominālās ieejas jaudas parametri ir norādīti attiecīgajai valstij paredzētajā identifikācijas datu plāksnītē.

Ja šīs iekārtas darbināšanai izmanto ģeneratoru vai transformatoru, tā izejas jaudai jābūt vismaz divreiz lielākai par nominālo ieejas jaudu, kas norādīta uz iekārtas identifikācijas datu plāksnītes. Transformatora vai ģeneratora darba spriegumam vienmēr jābūt iekārtas nominālā sprieguma diapazonā ar pielaidi +5 % vai -15 %.

	TE 3000-AVR
Svars saskaņā ar EPTA procedūru 01	27,1 kg
Atsevišķa trieciena enerģija atbilstīgi EPTA procedūrai	85 J
Uzglabāšanas temperatūra	-20 °C ... 70 °C
Apkārtējā temperatūra darbības laikā	-20 °C ... 55 °C

4.1 Informācija par troksni un vibrāciju saskaņā ar EN 60745

Šajās instrukcijās norādītie lielumi, kas raksturo skaņas spiedienu un vibrāciju, ir noteikti ar standartizētas mērījumu metodes palīdzību, un tos var izmantot elektroiekārtu savstarpējai salīdzināšanai. Tos var izmantot



arī trokšņa un vibrācijas iedarbības pagaidu novērtējumam. Norādītie parametri attiecas uz elektroiekārtas galvenajiem lietošanas veidiem. Taču, ja elektroiekārta tiek izmantota citos nolūkos, ar citiem maināmajiem instrumentiem vai netiek nodrošināta pietiekama tās apkope, parametri var atšķirties no norādītajiem. Tas var ievērojami palielināt trokšņa un vibrācijas iedarbību visā darba laikā. Lai precīzi novērtētu iedarbību, jāņem vērā arī laiks, cik ilgi iekārta ir izslēgta vai ir ieslēgta, taču faktiski netiek darbināta. Tas var būtiski samazināt iedarbību kopējā darba laikā. Jāparedz papildu drošības pasākumi, lai aizsargātu iekārtas lietotāju pret trokšņa un/vai vibrācijas iedarbību, piemēram, elektroiekārtas un maināmo instrumentu apkope, roku turēšana siltumā, darba procesu organizācija.

Informācija par troksni

Skaņas jaudas līmenis (L_{WA})	106 dB(A)
Skaņas jaudas līmeņa pielaipe (K_{WA})	3 dB(A)
Skaņas spiediena līmenis (L_{pA})	95 dB(A)
Skaņas spiediena līmeņa pielaipe (K_{pA})	3 dB(A)

Informācija par vibrāciju

Kaļšana ($a_{h, Cheq}$)	6,9 m/s ²
Iespējamā kļūda (K)	1,5 m/s ²

4.2 Pagarinātājkaabeļa izmantošana

BRĪDINĀJUMS!

Bojāta kabeļa izraisīts apdraudējums! Ja darba laikā tiek bojāts barošanas kabelis vai pagarinātājkaabeļis, neaizticiet to. Nekavējoties atvienojiet kontaktdakšu no kontaktlīdziņa.

- ▶ Regulāri pārbaudiet iekārtas barošanas kabeli un nepieciešamības gadījumā nododiet to kompetentam speciālistam remonta vai nomaiņas veikšanai.
- Lietojiet tikai konkrētajai darbības jomai atbilstīgus elektriskos pagarinātājkaabeļus ar pietiekamu vada šķērsgrīzumu. Pretējā gadījumā ir iespējami iekārtas jaudas zudumi un kabeļa pārkaršana.
- Regulāri pārbaudiet, vai pagarinātājkaabeļis nav bojāts.
- Nomainiet bojāto pagarinātājkaabeļi.
- Strādājot ārpus telpām, izmantojiet tikai atbilstošus un attiecīgi marķētus pagarinātājkaabeļus.

Informācija par ieteicamo minimālo šķērsgrīzumu un kabeļa garumu QR koda veidā ir iekļauta šīs dokumentācijas beigās.

5 Sagatavošanās darbam

IEVĒROT PIESARDZĪBU!

Traumu risks! Izstrādājuma nekontrolēta iedarbošanās.

- ▶ Atvienojiet barošanas kabeli, pirms veikt iekārtas iestatīšanu vai aprikojuma maiņu.

Ievērojiet drošības norādījumus un brīdinājumus, kas atrodami šajā dokumentācijā un uz izstrādājuma.

5.1 Maināmais instruments



Lietojiet kopā ar šo izstrādājumu tikai **Hilti** kaltus ar savienojuma galu **TE-H**.

Citi kalti nav kārtīgi nofiksējami, par ko liecina tas, ka dzeltenais signālgredzens pie instrumenta patronas paliek redzams. Tas nozīmē, ka maināmais instruments šim atskaldāmajam āmaram nav piemērots!

- ▶ Pirms katras lietošanas pievērsiet uzmanību tam, lai dzeltenais signālgredzens pie instrumenta patronas nebūtu redzams.

5.2 Maināmā instrumenta ievietošana



Pirms katras lietošanas pārbaudiet, vai instruments nav bojāts un nevienmērīgi nodilis, un, ja nepieciešams, apmainiet to.



1. Viegli ieziediet maināma instrumenta galu ar smērvielu.
2. Iespraidiet kaltu ar savienojuma galu **TE-H** instrumenta patronā tik dziļi, līdz tas nofiksējas ar sadzirdamu klikšķi un vairs nav redzams dzeltenais signālgredzens.
3. Pavelkot instrumentu, jāpārbauda, vai tas ir nofiksējies kārtīgi.



Lietojiet tikai oriģinālās **Hilti** smērvielas. Nepiemērotas smērvielas lietošana var izraisīt izstrādājuma bojājumus.

5.3 Barošanas kabeļa pievienošana 5



IEVĒROT PIESARDZĪBU!

Traumu risks neīru kontaktu radītās noplūdes strāvas iedarbībā.

- ▶ Veiciet elektrisko spraudkontakta savienošanu ar elektroiekārtu tikai tad, kad kontakti ir tīri, sausi un nav zem sprieguma.

1. Līdz galam iespraidiet kodēto elektriskā savienojuma spraudni iekārtas ligzdā, līdz tas sadzirdami nofiksējas.
2. Ievietojiet kontaktdakšu kontaktligzdā.



Hilti iesaka vienmēr atstāt barošanas kabeļa spraudni pievienotu pie iekārtas. Barošanas kabeļa spraudnis jāatvieno tikai kabeļa pārraušanas / bojājuma gadījumā.

6 Darbs



BRĪDINĀJUMS!

Bojāta kabeļa izraisīts apdraudējums! Ja darba laikā tiek sabojāts barošanas kabelis vai pagarinātājkabelis, nekavējoties atvienojiet iekārtu un kabeli no elektrofikla. Nepieskarieties bojājuma vietai!

- ▶ Regulāri pārbaudiet pieslēguma kabeļus. Nomainiet bojātos pagarinātājkabeļus. Uzdodiet veikt bojāto barošanas kabeļu nomaiņu sertificētam speciālistam.

Principā ieteicams vienmēr izmantot bojājumstrāvas aizsargslēdzi (RCD) ar aktivēšanas strāvas stiprumu maksimāli 30 mA.

6.1 Atskaldāmā āmura iedarbināšana 6

1. Līdz galam nospiediet rokturi kopā ar ieslēgšanas / izslēgšanas slēdzi.
 - ▶ Atskaldāmais āmurs iedarbojas.
2. Darba laikā turiet nospiestu ieslēgšanas / izslēgšanas slēdzi.
 - ▶ Iekārtas darbības efektivitāti papildus iespējams vadīt, līdz galam nospiežot rokturi.



Ja darbības pārtraukums ilgst vairāk nekā 1 minūti, atjaunojas iekārtas sākotnējie iestatījumi. Lai iedarbinātu to no jauna, atkal līdz galam jānospiež rokturis un ieslēgšanas / izslēgšanas slēdzis.

6.2 Kalšana 7



Kaltu iespējams novietot 6 dažādās pozīcijās (ar 60° soli). Pateicoties tam, ar plakano kaltu un profila kaltu vienmēr var strādāt optimālā darba pozīcijā.

1. Ievietojiet kontaktdakšu kontaktligzdā.
2. Novietojiet kaltu apmēram 80-100 mm (3 1/8"-4") attālumā no malas.
3. Līdz galam nospiediet rokturi un ieslēgšanas / izslēgšanas slēdzi.



4. Sāciet kalšanu 90° leņķī pret betona virsmu un novietojiet kalta smaili tā, lai tā būtu pavērsta pret malu. Pēc tam mainiet leņķi 70° līdz 80° virzienā un izlauziet materiālu.
 - ▶ Apstrādājot materiālus ar metāla armatūru, vienmēr virziet kalnu pret materiāla malu, nevis pret armatūru.



Darbs zemā temperatūrā:

Lai triecienmehānisms sāktu darboties, iekārtai ir jāsasniedz minimālā darba temperatūra. Lai to nodrošinātu, uz neilgu brīdi novietojiet iekārtu uz virsmas un padarbiniet to tukšgaitā. Nepieciešamības gadījumā šo darbību atkārtojiet, līdz sāk darboties triecienmehānisms.

6.3 Maināmā instrumenta izņemšana



BRĪDINĀJUMS!

Traumu risks! Lietošanas laikā instruments sakarst, turklāt tam var būt asas šķautnes.

- ▶ Instrumenta nomaiņas laikā valkājiet aizsargcimdus.

1. Atvienojiet iekārtu no elektrotīkla.
2. Līdz galam pavelciet atpakaļ instrumenta fiksācijas mehānismu.
3. Izņemiet maināmo instrumentu.
4. **UZMANĪBU!** Nenovietojiet karstus instrumentus uz viegli uzliesmojošiem materiāliem.

6.4 Barošanas kabeļa atvienošana no elektroiekārtas

1. Atvienojiet iekārtu no elektrotīkla.
2. Nospiediet bloķēšanas taustiņu un izvelciet kodēto elektriskā savienojuma spraudni no ligzdas.
3. Izvelciet barošanas kabeli no iekārtas.



Hilti iesaka vienmēr atstāt barošanas kabeļa spraudni pievienotu pie iekārtas. Barošanas kabeļa spraudnis jāatvieno tikai kabeļa pārraušanas / bojājuma gadījumā.

7 Apkope un uzturēšana



BRĪDINĀJUMS!

Elektriskā trieciena risks! Apkopes un remonta darbu veikšana, neatvienojot iekārtu no elektrotīkla, var izraisīt smagas traumas un apdegumus.

- ▶ Pirms jebkādiem apkopes un remonta darbiem vienmēr atvienojiet tīkla kontaktdakšu!

Kopšana

- Uzmanīgi notīriet pielīpušos netīrumus.
- Uzmanīgi iztīriet ventilācijas atveres ar sausu birstīti.
- Korpusa tīrīšanai lietojiet tikai nedaudz samitrinātu drāniņu. Nedrīkst lietot silikonu saturošus kopšanas līdzekļus, kas var sabojāt plastmasas daļas.

Uzturēšana



BRĪDINĀJUMS!

Elektrošoka risks! Neprofesionāli veikts elektrisko daļu remonts var kļūt par cēloni smagām traumām un apdegumiem.

- ▶ Elektrisko daļu labošanu var veikt tikai elektrības nozares speciālisti.
- Regulāri pārbaudiet visas redzamās daļas, lai pārliecinātos, ka tās nav bojātas un funkcionē nevainojami.
- Bojājumu un/vai funkciju traucējumu gadījumā izstrādājumu nedrīkst lietot. Tas nekavējoties jānodod **Hilti**, lai veiktu remontu.
- Pēc apkopes un remonta darbiem visas aizsargierīces jāpieņemotē vietā un jāpārbauda, vai tās darbojas.



Lai iekārtas lietošana būtu droša, izmantojiet tikai oriģinālās rezerves daļas un patērīna materiālus. Rezerves daļas un patērīna materiālus, kuru lietošanu kopā ar šo iekārtu mēs akceptējam, var atrast **Hilti Store** vai tīmekļvietnē: www.hilti.group.



8 Transportēšana un uzglabāšana

Transportēšana

- ▶ Netransportējiet šo izstrādājumu ar tajā nostiprinātu darba instrumentu.
- ▶ Raugieties, lai transportēšanas laikā izstrādājums būtu droši nofiksēts.
- ▶ Pēc katras transportēšanas pārbaudiet, vai neviena redzamā daļa nav bojāta un vadības elementi darbojas nevainojami.

Uzglabāšana

- ▶ Šī izstrādājuma glabāšanas laikā tā barošanas kabelim vienmēr jābūt atvienotam.
- ▶ Glabājiet šo izstrādājumu sausā vietā, kas nav pieejama bērniem un nepiederošām personām.
- ▶ Pēc ilgstošas glabāšanas pārbaudiet, vai neviena redzamā daļa nav bojāta un vadības elementi darbojas nevainojami.

8.1 Pārvietošana ar transportēšanas ratiņiem

BRĪDINĀJUMS!

Traumas, ko var izraisīt liels svars Atskaldāmais āmurs ir smags.

- ▶ Ja iespējams, vienmēr lietojiet transportēšanas ratiņus. Ja transportēšanas ratiņi nav pieejami, atskaldāmais āmurs jāpārvieto divatā.



Nenovietojiet ratiņus slīpumā.

Nodrošiniet, lai transportēšanas ratiņi būtu novietoti stabili.

Izvēlieties drošus transportēšanas ceļus.

1. Novietojiet atskaldāmo āmuru uz transportēšanas ratiņu iekārtas atbalsta rēdzes.
2. Transportēšanas laikā nodrošiniet atskaldāmo āmuru ar bloķēšanas stīpu.
3. Iespraudiet kalnu patēriņa materiāla turētājā, līdz tas nofiksējas.

9 Traucējumu novēršana

Ja iekārtas darbībā ir radušies traucējumi, kas nav uzskaitīti šajā tabulā vai ko jums neizdodas novērst saviem spēkiem, lūdzu, meklējiet palīdzību mūsu **Hilti** servisā.

9.1 Traucējumu diagnostika

Traucējums	Iespējamais iemesls	Risinājums
Atskaldāmo āmuru nevar iedarbināt.	Notiek elektronikas inicializācija (ne ilgāk kā 4 sekundes pēc spraudņa pievienošanas).	▶ Izslēdziet un vēlreiz ieslēdziet iekārtu.
	Pārtraukta sprieguma padeve.	▶ Pievienojiet citu elektroiekārtu un pārbaudiet, vai tā darbojas.
	Pēc sprieguma padeves pārtraukuma ir aktivēta elektroniskā ieslēgšanās bloķēšana.	▶ Izslēdziet un vēlreiz ieslēdziet iekārtu.
	Ģenerators atrodas gaidīšanas režīmā.	▶ Radiet ģenerators noslodzi ar cita patērētāja (piemēram, būvniecības lampas) palīdzību. Pēc tam izslēdziet un vēlreiz ieslēdziet iekārtu.
	Nav kārtīgi pievienots barošanas kabeļa spraudnis.	▶ Kārtīgi pievienojiet barošanas kabeli elektroiekārtai.
Servisa indikācija deg sarkanā krāsā.	Radies iekārtas bojājums vai pienācis laiks servisa darbiem.	▶ Uzticiet izstrādājuma remontu tikai Hilti servisa darbiniekiem.



Traucējums	Iespējamais iemesls	Risinājums
Servisa indikācija mirgo sarkanā krāsā.	Pārejoša kļūme	<ul style="list-style-type: none"> ▶ Nogaidiet 10 sekundes, līdz mirgošana beidzas. ▶ Ja mirgošana pēc 10 sekundēm nebeidzas, atvienojiet barošanas kabeli un nogaidiet 2 minūtes. ▶ Ja mirgošana joprojām nebeidzas, nogādājiet izstrādājumu Hilti servisā.
	Elektroapgādē pārāk augsts spriegums	<ul style="list-style-type: none"> ▶ Apmainiet kontaktligzdu. Pārbaudiet tīklu.
Gatavības indikācija mirgo zaļā krāsā.	Termiskā aizsardzība	<ul style="list-style-type: none"> ▶ Ļaujiet izstrādājumam atdzist. ▶ Iztīriet ventilācijas atveres. Darbība tukšgaitā nav iespējama.
Nav triecienu funkcijas.	Iekārta ir pārāk auksta.	<ul style="list-style-type: none"> ▶ Novietojiet atskaldāmo āmuru uz virsmas un neilgu laiku padarbiniet to tukšgaitā. Ja nepieciešams atkārtojiet šo procesu, līdz triecienu mehānisms iedarbojas.
Atskaldāmais āmurs darbojas ar ievērojami samazinātu triecienu frekvenci.	Tukšgājiens (kalts nav trāpījis cietai virsmai)	<ul style="list-style-type: none"> ▶ Atļaidiet slēdzi un pēc tam ieslēdziet iekārtu no jauna vai: ▶ kad ir nospiests slēdzis, līdz galam nospiediet arī rokturi.
Atskaldāmais āmurs neiedarbojas vai darba laikā izslēdzas.	Pagarinātājkabelis ir pārāk garš un/vai ar nepietiekamu šķērsgrīzumu.	<ul style="list-style-type: none"> ▶ Jālieto pieļaujamā garuma pagarinātājkabelis ar pietiekami lielu šķērsgrīzumu.

10 Nokalpojušo iekārtu utilizācija

Hilti iekārtu izgatavošanā tiek izmantoti galvenokārt otrreiz pārstrādājami materiāli. Priekšnosacījums otrreizējai pārstrādei ir atbilstoša materiālu šķirošana. Daudzās valstīs **Hilti** pieņem nolietotās iekārtas otrreizējai pārstrādei. Lai saņemtu vairāk informācijas, vērsieties **Hilti** servisā vai pie sava pārdošanas konsultanta.



- ▶ Neizmetiet elektroiekārtas, elektroniskas ierīces un akumulatorus sadzīves atkritumos!

11 RoHS (direktīva par bīstamo vielu izmantošanas ierobežošanu)

Lai apskatītu bīstamo vielu tabulu, izmantojiet šādu saiti: qr.hilti.com/r11668382.
Saiti uz RoHS tabulu jūs QR koda veidā atradīsiet šīs dokumentācijas beigās.

12 Ražotāja garantija

- ▶ Ar jautājumiem par garantijas nosacījumiem, lūdzu, vērsieties pie vietējā **Hilti** partnera.



Originali naudojimo instrukcija

1 Dokumentų duomenys

1.1 Apie šią instrukciją

- Prieš pradėdami eksploatuoti, perskaitykite šią instrukciją. Tai yra saugaus darbo ir patikimo naudojimo sąlyga.
- Laikykitės šioje instrukcijoje ir ant prietaiso pateiktų saugos nurodymų ir įspėjimų.
- Šią naudojimo instrukciją visada laikykite kartu su prietaisu, prietaisą kitiems asmenims perduokite tik kartu su šia instrukcija.

1.2 Ženklų paaiškinimas

1.2.1 Įspėjantieji nurodymai

Įspėjantieji nurodymai įspėja apie pavojus, gresiančius eksploatuojant prietaisą. Naudojami tokie signaliniai žodžiai:



PAVOJUS

PAVOJUS !

- ▶ Šis žodis vartojamas norint įspėti apie tiesiogiai gresiantį pavojų, kurio pasekmės yra sunkūs kūno sužalojimai arba žūtis.



ĮSPĖJIMAS

ĮSPĖJIMAS !

- ▶ Šis žodis vartojamas norint įspėti apie galimai gresiantį pavojų, kurio pasekmės gali būti sunkūs kūno sužalojimai arba žūtis.



ATSARGIAI

ATSARGIAI !

- ▶ Šis žodis vartojamas potencialiai pavojingai situacijai žymėti, kai yra kūno sužalojimo arba materialinių nuostolių grėsmė.

1.2.2 Instrukcijoje naudojami simboliai

Šioje instrukcijoje naudojami tokie simboliai:

	Prieš naudojant, perskaityti instrukciją
	Naudojimo nurodymai ir kita naudinga informacija
	Rodo, kad juo paženklintą medžiagą galima perdirbti
	Elektrinių prietaisų ir akumuliatorių nemesti į buitinius šiukšlynus

1.2.3 Ilustracijose naudojami simboliai

Ilustracijose naudojami šie simboliai:

	Šis skaitmenys nurodo atitinkamą iliustraciją šios instrukcijos pradžioje
	Numeravimas nurodo darbinių veiksmų eiliškumą paveikslėlyje ir gali skirtis nuo tekste pateikto darbinių veiksmų numeravimo
	Pozicijų numeriai naudojami paveikslėlyje Apžvalga – jie nurodo skyrelyje Prietaiso vaizdas esančių paaiškinimų numerius
	Šiuo ženklu siekiama atkreipti ypatingą dėmesį į naudojamą šiuo prietaisu.



1.3 Simboliai ant prietaiso

1.3.1 Simboliai ant prietaiso

Ant prietaiso gali būti naudojami tokie simboliai:

	II apsaugos klasė (su dviguba izoliacija)
	Draudžiama transportuoti kranu
	Belaidis duomenų perdavimas

1.4 Informacija apie prietaisą

HILTI gaminiai yra skirti profesionalams, todėl juos naudoti, techniškai prižiūrėti ir remontuoti leidžiama tik įgaliotam instruktuiotam personalui. Šis personalas turi būti supažindintas su visais galimais pavojais. Neapmokyto personalo, netinkamai arba ne pagal paskirtį naudojamais prietaisais ir jo reikmenys gali kelti pavojų.

Tipas ir serijos numeris yra nurodyti firminėje duomenų lentelėje.

- Serijos numerį perkeltkite į toliau nurodytą lentelę. Kreipdamiesi su prietaisu susijusiais klausimais į mūsų atstovybę ar techninės priežiūros centrą, visada nurodykite šiuos prietaiso duomenis.

Prietaiso duomenys

Kirstuvas	TE 3000-AVR
Karta	03
Serijos Nr.	

1.5 Atitikties deklaracija

Prisiimdami visą atsakomybę pareiškiame, kad čia yra aprašytas gaminys atitinka galiojančias direktyvas ir normas. Atitikties deklaracijos kopiją rasite šios instrukcijos gale.

Techninė dokumentacija saugoma čia:

Hilti Entwicklungsgesellschaft mbH | Zulassung Geräte | Hiltistraße 6 | 86916 Kaufering, DE

2 Sauga

2.1 Bendrieji saugos nurodymai dirbantiems su elektriniais įrankiais

⚠️ ISPĖJIMAS Perskaitykite visus ant šio elektrinio įrankio esančius saugos nurodymus, instrukcijas, paveikslėlius ir techninius duomenis. Šių nurodymų nesilaikymas gali tapti elektros smūgio, gaisro ir / arba sunkių sužalojimų priežastimi.

Išsaugokite visus saugos nurodymus ir instrukcijas, kad galėtumėte į juos pažvelgti ateityje.

Saugos nurodymuose vartojama sąvoka „elektrinis įrankis“ apibrėžiami iš elektros tinklo maitinami elektriniai įrankiai (turintys maitinimo kabelį) ir iš akumulatoriaus maitinami elektriniai įrankiai (be maitinimo kabelio).

Sauga darbo vietoje

- **Pasirūpinkite, kad darbo vieta visada būtų švari ir gerai apšviesta.** Netvarkinga ar blogai apšviesta darbo vieta gali tapti nelaimingų atsitikimų priežastimi.
- **Nenaudokite elektrinio įrankio sprogoje aplinkoje, kurioje yra degių skysčių, dujų arba dulkių.** Veikiantys elektriniai įrankiai kibirkščiuoja, ir kibirkštys gali uždegti dulkes arba susikaupusius garus.
- **Dirbdami su elektriniu įrankiu, neleiskite darbo zonoje būti vaikams ir pašaliniams asmenims.** Atitraukę dėmesį nuo darbo, galite nebesuvaldyti prietaiso.

Apsauga nuo elektros

- **Prietaiso maitinimo kabelio kištukas turi atitikti elektros lizdo tipą.** Kištuko jokiu būdu negalima keisti. Nenaudokite tarpinių kištukų kartu su elektriniais įrankiais, turinčiais apsauginį įžeminimą. Nepakeisti kištukai ir tinkami elektros lizdai mažina elektros smūgio riziką.
- **Venkite kūno kontakto su įžemintais paviršiais, pvz., vamzdžiais, šildytuvais, viryklėmis ir šaldytuvais.** Kai žmogaus kūnas yra įžemintas, padidėja elektros smūgio tikimybė.
- **Elektrinius įrankius saugokite nuo lietaus ir drėgmės.** Į elektrinį įrankį patekus vandens, padidėja elektros smūgio rizika.



- ▶ **Nenaudokite elektros maitinimo kabelio ne pagal paskirtį, t. y. neneškite elektrinio įrankio paėmę už kabelio, nekabinkite jo ant kabelio, netraukite už kabelio, norėdami ištraukti kištuką iš elektros lizdo. Elektros maitinimo kabelį saugokite nuo karščio, alyvos, aštrių briaunų ar judančių dalių. Pažeisti arba susipyinę elektros maitinimo kabeliai didina elektros smūgio riziką.**
- ▶ **Jei su elektriniu įrankiu dirbate lauke, naudokite tik tokius ilginimo kabelius, kurie tinka ir lauko darbams. Naudojant lauko darbams tinkančius ilginimo kabelius, mažėja elektros smūgio rizika.**
- ▶ **Jeigu elektrinio įrankio naudojimo drėgnoje aplinkoje negalima išvengti, į elektros tinklą jįjunkite per apsauginę nuotėkio relę. Apsauginė nuotėkio relė mažina elektros smūgio riziką.**

Žmonių sauga

- ▶ **Dirbdami su elektriniu įrankiu, būkite atidūs, sutelkite dėmesį į darbą ir vadovaukitės sveika nuovoka. Elektrinio įrankio nenaudokite, jeigu esate pavargę arba apsvaigę nuo narkotinių medžiagų, alkoholio ar vaistų. Neatidumo akimirka dirbant su elektriniu įrankiu gali tapti rimtu sužalojimų priežastimi.**
- ▶ **Naudokite asmenines apsaugos priemones ir visuomet užsidėkite apsauginius akinius. Naudojant asmenines apsaugos priemones, pvz., respiratorių, neslystančius apsauginius batus, apsauginį šalną, ausines ir kt., priklausomai nuo elektrinio įrankio tipo ir naudojimo, mažėja rizika susižaloti.**
- ▶ **Saugokitės, kad neįjungtumėte prietaiso atsitiktinai. Prieš prijungdami prie elektros maitinimo tinklo, įdėdami akumuliatorių, imdami į rankas ar nešdami, įsitikinkite, kad elektrinis įrankis yra išjungtas. Jeigu nešdami elektrinį įrankį pirštą laikysite ant jungiklio arba įrankį įjungsitė į elektros tinklą tuomet, kai jungiklis nėra išjungtas, gali įvykti nelaimingas atsitikimas.**
- ▶ **Prieš įjungdami elektrinį įrankį, pašalinkite iš jo reguliavimo įrankius ar veržlinius raktus. Besisukančioje prietaiso dalyje esantis įrankis ar paliktas raktas gali tapti sužalojimų priežastimi.**
- ▶ **Venkite nepatogių kūno padėčių. Dirbdami stovėkite tvirtai ir visada išlaikykite kūno pusiausvyrą. Taip galėsite geriau kontroliuoti elektrinį įrankį netikėtose situacijose.**
- ▶ **Vilkėkite tinkamą aprangą. Nevilkėkite plačių drabužių, nesidėkite papuošalų. Saugokite plaukus, drabužius ir pirštines nuo besisukančių prietaiso dalių. Laisvus drabužius, papuošalus ir ilgus plaukus gali įtraukti besisukančios prietaiso dalys.**
- ▶ **Jei yra numatyta galimybė prijungti dulkių nusiurbimo ar surinkimo įrenginius, visada įsitikinkite, kad jie yra prijungti ir tinkamai naudojami. Naudojant dulkių nusiurbimo įrenginį, gali sumažėti dulkių keliamą grėsmę.**
- ▶ **Neturėkite iliuzijų, kad visada esate saugūs, ir, skaitydami naudojimo instrukcijas, nepraleiskite skyrelių apie saugų darbą su elektriniais įrankiais, net jeigu per ilgus naudojimo metus esate su savo elektriniu įrankiu susipažinę. Neatsargus veiksmas per sekundės dalį gali tapti sunkių sužalojimų priežastimi.**

Elektrinio įrankio naudojimas ir elgsenys su juo

- ▶ **Prietaiso neperkraudkite. Naudokite Jūsų darbui tinkamą elektrinį įrankį. Su tinkamu elektriniu įrankiu dirbsite geriau ir saugiau, jei neviršysite nurodytos galios.**
- ▶ **Nenaudokite elektrinio įrankio su sugedusiu jungikliu. Elektrinis įrankis, kurio nebegalima įjungti ar išjungti, yra pavojingas ir jį reikia remontuoti.**
- ▶ **Prieš prietaisą nustatydami, keisdami reikmenis ar tiesiog padėdami į šalį, visuomet ištraukite maitinimo kabelio kištuką iš elektros lizdo ir / arba iš prietaiso išimkite akumuliatorių. Ši atsargumo priemonė leis išvengti netikėto elektrinio įrankio įsijungimo.**
- ▶ **Nenaudokite elektrinius įrankius saugokite vaikams nepasiekiamoje vietoje. Neleiskite prietaisu naudotis asmenims, kurie nėra su juo susipažinę arba nėra perskaitę šios instrukcijos. Elektriniai įrankiai yra pavojingi, kai juos naudoja patirties neturintys asmenys.**
- ▶ **Elektrinius įrankius ir reikmenis rūpestingai prižiūrėkite. Tikrinkite, ar judančios elektrinio įrankio dalys tinkamai funkcionuoja ir niekur nekliūva, ar nėra sulūžusių ir pažeistų dalių, kurios blogintų įrankio veikimą. Prieš naudojimą pažeistos prietaiso dalys turi būti suremontuotos. Blogai prižiūrimi elektriniai įrankiai yra daugelio nelaimingų atsitikimų priežastis.**
- ▶ **Įjovimo įrankiai visuomet turi būti aštrūs ir švarūs. Rūpestingai prižiūrėti įjovimo įrankiai su aštriomis įjovimo briaunomis mažiau stringa ir yra lengviau valdomi.**
- ▶ **Elektrinį įrankį, reikmenis, keičiamuosius įrankius ir t. t. naudokite pagal šias instrukcijas. Taip pat atsižvelkite į darbo sąlygas ir atliekamo darbo pobūdį. Elektrinius įrankius naudojant ne pagal paskirtį, gali kilti pavojingos situacijos.**
- ▶ **Prižiūrėkite rankenas, kad jos ir jų laikymo paviršiai visada būtų sausi, švarūs ir neriebaluoti. Slidžios rankenos ir jų laikymo paviršiai negali užtikrinti elektrinio įrankio saugaus naudojimo ir valdymo kontrolės nenumatytose situacijose.**



Techninė priežiūra

- ▶ **Savo elektrinį įrankį patikėkite remontuoti tik kvalifikuotam specialistui, tam jis turi naudoti tik originalias atsargines dalis.** Taip galima užtikrinti, kad bus išlaikytas elektrinio įrankio naudojimo saugumas.

2.2 Saugos nurodymai smūginiams įrankiams

Saugos nurodymai visiems darbams

- ▶ **Dirbdami užsidėkite ausines.** Triukšmas gali pakenkti klausai.
- ▶ **Naudokite prietaiso komplekte esančias papildomas rankenas.** Prietaisui tapus nebevaldomam, galite susižaloti.
- ▶ **Vykdydami darbus, kurių metu keičiamasis įrankis gali liesti paslėptus elektros laidus ar nuosavą elektros maitinimo kabelį, prietaisą laikykite paėmę už izoliuotų rankenų paviršių.** Dėl kontakto su laidais, kuriais teka elektros srovė, metalinėse prietaiso dalyse taip pat gali atsirasti įtampa, todėl kyla elektros smūgio pavojus.

2.3 Papildomi saugos nurodymai

Žmonių sauga

- ▶ Prietaisą naudokite tik tada, kai jis yra techniškai tvarkingas.
- ▶ Prietaisą draudžiama keisti ar kitaip juo manipuliuoti.
- ▶ Vykdydami sienų ar grindų pragręžimo ar pramušimo klaurai darbus, apsaugokite kitoje pusėje esančią zoną. Gręžimo kernai ar medžiagos nuolaužos gali iškristi arba nukristi ir sužaloti kitus žmones.
- ▶ Įsitikinkite, kad šoninė rankena tinkamai sumontuota ir tvarkingai pritvirtinta. Prietaisą visada laikykite tvirtai, abiem rankomis paėmę už tam skirtų rankenų. Prižiūrėkite rankenas, kad jos būtų sausas, švarios ir netepaluotos.
- ▶ Šiam prietaisui naudokite tik **Hilti** kaltus su TE-H tipo jungiamuoju galu.
- ▶ Keiskite tik horizontalioje padėtyje, niekada vertikaloje padėtyje, esantį kaltą naudodami įrankį.
- ▶ Kaltą kiškite į įrankio griebtuvą tol, kol jis užsifiksuos girdimai spragtelėdamas ir nebesimatys geltonos spalvos įspėjamojo žiedo.
- ▶ Patikrinkite, ar kaltas tinkamai užsifiksavo. **DĖMESIO:** Dėl neužfiksuoto kalto gali netikėtai susidaryti pavojingos situacijos!
- ▶ Šį prietaisą įjunkite tik darbinėje, o ne transportavimo padėtyje!
- ▶ Dirbdami darykite pertraukas ir atpalaidavimo pratimus pirštams, kad pagerėtų kraujotaka. Dirbant ilgesnį laiką, vibracijos gali sukelti pirštų, plaštakos ar riešo sąnario kraujagyslių ar nervų sistemos pažeidimus.
- ▶ Prietaisas nėra skirtas naudoti vaikams arba fiziškai silpniems arba neinstrukuotiems asmenims.
- ▶ Prietaisą laikykite vaikams nepasiekiamoje vietoje.
- ▶ Prieš pradėdami dirbti, nustatykite darbo metu kilsiančių dulkių kenksmingumo klasę. Naudokite licencijuotą statybinį siurbį, atitinkantį apsaugos klasę pagal vietoje galiojančias apsaugos nuo dulkių normas.
- ▶ Pagal galimybes naudokite dulkių nusiurbimo įtaisą ir tinkamą mobilųjį dulkių siurbį. Tam tikrų medžiagų, pvz., dažų, kuriuose yra švino junginių, kai kurių medienos rūšių, betono / mūro / akmens, kuriuose yra kvarco ir kitų mineralų, taip pat metalo dulkės gali būti sveikatai kenksmingos.
- ▶ Pasirūpinkite, kad darbo vieta būtų gerai vėdinama, ir, jeigu reikia, užsidėkite atitinkamoms dulksms skirtą kvėpavimo takus saugančią kaukę. Liečiamos ar įkvėptos tokios dulkės darbuotojui ar arti jo esantiems asmenims gali sukelti alergines reakcijas ir / arba kvėpavimo takų susirgimus. Ažuolo arba buko medienos dulkės gali sukelti vėžinius susirgimus, ypač tada, kai buvo naudojami priedai medienai apdoroti (chromatai, medienos konservantai). Medžiagas, kuriose yra asbesto, leidžiama apdoroti tik specialistams.

Apsauga nuo elektros

- ▶ Prieš pradėdami dirbti, patikrinkite, ar darbo zonoje nėra paslėptų elektros laidų, dujų ar vandentiekio vamzdžių. Netyčia pažeidus elektros kabelį, išorinėse metalinėse prietaiso dalyse gali atsirasti įtampa, kelianti elektros smūgio pavojų.
- ▶ Nuolat tikrinkite šio prietaiso elektros maitinimo kabelį; pažeistą kabelį turėtų pakeisti kvalifikuotas specialistas. Jeigu elektrinio įrankio maitinimo kabelis yra pažeistas, jį būtina pakeisti specialiai paruoštu ir apiboduotu elektros maitinimo kabeliu, kurį galima įsigyti per klientų aptarnavimo tinklą. Reguliariai tikrinkite ilginimo kabelį, o pažeistą pakeiskite nauju. Nesilieskite prie maitinimo ar ilginimo kabelio, jeigu darbo metu jie buvo apgadinti. Maitinimo kabelio kištuką ištraukite iš elektros lizdo. Pažeisti elektros maitinimo ir ilginimo kabeliai kelia elektros smūgio pavojų.
- ▶ Užterštus elektrinius prietaisus, jei juos dažnai naudojate elektrai laidžioms medžiagoms apdirbti, reguliariai tikrinkite **Hilti** techninės priežiūros centre. Ant prietaiso korpuso susikaupusios dulkės,

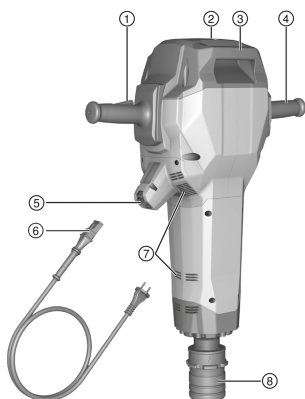


ypač laidžių medžiagų dulkės, arba drėgmė, esant nepalankioms sąlygoms, gali kelti elektros smūgio pavojų.

- ▶ Nutrūkus elektros energijos tiekimui, išjunkite elektrinį prietaisą ir ištraukite jo maitinimo kabelio kištuką iš elektros lizdo. Taip išvengsite atsitiktinio prietaiso įsijungimo, kai įtampa elektros tinkle vėl atsiras.

3 Aprašymas

3.1 Prietaiso vaizdas 1



- ① Rankena su jungikliu
- ② Techninės priežiūros rodmuo
- ③ Nešimo rankena
- ④ Rankena
- ⑤ Maitinimo kabelio kištukinis sujungiklis
- ⑥ Maitinimo kabelio su koduotu kištukiniu sujungikliu
- ⑦ Vėdinimo plyšiai
- ⑧ Įrankio griebtuvas

3.2 Transportavimo vežimėlio vaizdas 2

- ① Rankena
- ② Krovinio fiksatorius
- ③ Fiksavimo apkaba
- ④ Laikiklis eksploatacinėms medžiagoms (kaltams)
- ⑤ Ratai
- ⑥ Rato tvirtinimas (poverzlė, vielokaištis)
- ⑦ Mašinos fiksavimo strypas
- ⑧ Nešimo rankena

3.3 Naudojimas pagal paskirtį

Aprašytasis prietaisas yra rankinis kirstuvas su 28 mm šešiabriauniu įrankio griebtuvu. Jis yra skirtas betono, mūro ir asfalto kirtimo darbams. Kitos naudojimo sritys – plūkimas ir duobių kasimas.

- ▶ Su prietaisu dirbkite tik įjungę jį į elektros tinklą, kurio įtampa ir dažnis atitinka reikšmes, nurodytas prietaiso firminėje duomenų lentelėje.

3.4 Netinkamas naudojimas

Šis prietaisas netinka sveikatai pavojingoms medžiagoms apdoroti.

Šis prietaisas neskirtas eksploatuoti drėgnoje aplinkoje.

3.5 Techninės priežiūros rodmuo

Kirstuve yra įrengtas techninės priežiūros rodmuo su šviesos signalu.

Būsena	Reikšmė
Techninės priežiūros rodmuo šviečia raudona spalva.	<ul style="list-style-type: none"> • Laikas vykdyti techninės priežiūros darbus. Prietaisą pristatykite į Hilti techninės priežiūros centrą. • Prietaiso gedimai. Prietaisą pristatykite į Hilti techninės priežiūros centrą.



Būsena	Reikšmė
Techninės priežiūros rodmuo mirksi raudona spalva.	<ul style="list-style-type: none"> Laikinoji klaida. Palaukite 10 sekundžių, kol nustos mirksėti. Jei po 10 s nenustoja mirksėti, ištraukite maitinimo kabelį ir palaukite 2 minutes. Jei nenustoja mirksėti, prietaisą pristatykite Hilti techninės priežiūros centrą.
Parengties būsenos rodmuo mirksi žalia spalva.	<ul style="list-style-type: none"> Apsauga nuo perkaitimo. Leiskite prietaisui atvėsti.
Parengties būsenos rodmuo šviečia žalia spalva.	Prietaisas parengtas naudoti.



Prietaisą laiku pristatykite į **Hilti** techninės priežiūros centrą. Taip jis bus visada parengtas naudoti.

3.6 Active Vibration Reduction

Prietaise yra įrengta Active Vibration Reduction (AVR) sistema, kuri stipriai mažina vibraciją.

3.7 Tiekiamas komplektas

Kirstuvus, naudojimo instrukcija, tirštasis tepalas.

Transportinis vežimėlis yra siūlomas kaip papildomai užsakomas reikmuo.



Daugiau Jūsų turimam prietaisui skirtų sisteminių reikmenų rasite vietinėje **Hilti Store** arba tinklalapyje www.hilti.group

4 Techniniai duomenys



Nominalioji maitinimo įtampa, nominalioji srovė, dažnis ir / arba nominali vartojamoji galia yra nurodyti Jūsų šaliai galiojančioje firminėje duomenų lentelėje.

Prietaisą maitinant iš generatoriaus arba transformatoriaus, šių įrenginių atiduodamoji galia turi būti bent dvigubai didesnė už prietaiso firminėje duomenų lentelėje nurodytą nominalią vartojamąją galią. Generatoriaus arba transformatoriaus darbinės įtampos reikšmė bet kuriuo metu turi būti prietaiso nominalios maitinimo įtampos +5 % ir -15 % ribose.

	TE 3000-AVR
Svoris pagal „EPTA-Procedure 01“	27,1 kg
Smūgio energija pagal „EPTA-Procedure“	85 J
Laikymo temperatūra	-20 °C ... 70 °C
Darbinė aplinkos temperatūra	-20 °C ... 55 °C

4.1 Informacija apie triukšmą ir vibracijos reikšmės pagal EN 60745

Šiuose nurodymuose pateiktos garso slėgio ir vibracijos reikšmės yra išmatuotos taikant standartizuotą matavimo metodą ir gali būti naudojami elektriniams įrankiams palyginti tarpusavyje. Jos taip pat tinka šių veiksmų poveikiui iš anksto įvertinti. Nurodytieji duomenys yra susieti su pagrindinėmis šio elektrinio įrankio naudojimo sritimis. Jeigu elektrinis įrankis bus naudojamas kitaip, su skirtingais keičiamaisiais įrankiais arba bus nepakankamai techniškai prižiūrimas, šie duomenys gali skirtis nuo nurodytųjų. Tai gali gerokai padidinti šių veiksmų poveikį per visą darbo laikotarpį. Norint tiksliai įvertinti poveikį, reikėtų įvertinti ir laiką, kai prietaisas yra išjungtas, arba, nors ir įjungtas, juo faktiškai nedirbama. Toks įvertinimas gali smarkiai sumažinti poveikio per visą darbo laikotarpį reikšmę. Imkitės papildomų saugos priemonių, kad darbuotojas būtų apsaugotas nuo triukšmo ir / arba vibracijos poveikio, pavyzdžiui, reikalaukite tinkamos elektrinio įrankio ir keičiamųjų įrankių techninės priežiūros, pasirūpinkite, kad darbuotojų rankos visada būtų šiltos, užtikrinkite tinkamą darbo organizavimą.

Informacija apie triukšmą

Garso galios lygis (L_{WA})	106 dB(A)
Garso galios lygio paklaida (K_{WA})	3 dB(A)



Garso slėgio lygis (L_{pA})	95 dB(A)
Garso slėgio lygio paklaida (K_{pA})	3 dB(A)

Informacija apie vibraciją

Kirtimas kalnu ($a_{n, Cheq}$)	6,9 m/s ²
Paklaida (K)	1,5 m/s ²

4.2 Ilginimo kabelio naudojimas**ĮSPĖJIMAS**

Pavojų kelia pažeistas kabelis! Nesilieskite prie maitinimo kabelio, jeigu darbo metu jis buvo apgadintas. aitinimo kabelio kištuką ištraukite iš elektros lizdo.

- ▶ Nuolat tikrinkite prietaiso maitinimo kabelį; pažeistą kabelį turėtų pakeisti kvalifikuotas specialistas.
- Naudokite tik darbo zonai pritaikytą pakankamo skerspjūvio ilginimo kabelį. Priešingu atveju prietaisas gali veikti mažesne galia arba kabelis gali perkaisti.
- Reguliariai tikrinkite, ar ilginimo kabelis nepažeistas.
- Pažeistą ilginimo kabelį pakeiskite nauju.
- Dirbdami lauke, naudokite tik tokius ilginimo kabelius, kurie yra aprobuoti ir atitinkamai paženklinėti.

Rekomenduojamus mažiausius skerspjūvius ir didžiausius kabelių ilgius rasite šios dokumentacijos gale kaip QR kodą.

5 Pasiruošimas darbui**ATSARGIAI**

Sužalojimo pavojus! Atsitiktinis prietaiso įjungimas.

- ▶ Prieš nustatydami prietaisą ar keisdami reikmenis, maitinimo kabelio kištuką ištraukite iš elektros lizdo.

Laikykites šioje instrukcijoje ir ant prietaiso pateiktų saugos nurodymų ir įspėjimų.

5.1 Keičiamasis įrankis 3

Šiam prietaisui naudokite tik **Hilti** kaltus su **TE-H** tipo jungiamuoju galu.

Kitų kaltų negalima tinkamai užfiksuoti, o geltonos spalvos įspėjamasis žiedas prie įrankio griebtuvo lieka matomas. Jis rodo, kad keičiamasis įrankis netinka šiam kirstuvui!

- ▶ Prieš kiekvieną naudojimą stebėkite, kad geltonos spalvos įspėjamasis žiedas prie įrankio griebtuvo nebūtų matomas.

5.2 Keičiamojo įrankio įdėjimas 4

Prieš kiekvieną naudojimą tikrinkite, ar įrankis nėra pažeistas ir netolygiai nusidėvėjęs; jeigu reikia, jį pakeiskite.

1. Keičiamojo įrankio kotą šiek tiek patepkite tirštuoju tepalu.
2. Kaltą su **TE-H** jungiamuoju galu kiškite į įrankio griebtuvą tol, kol jis užsifiksuos girdimai spragtelėdamas ir nebesimatys geltonos spalvos įspėjamojo žiedo.
3. Patraukę įrankį patikrinkite, ar jis gerai užsifiksavo.



Naudokite tik originalų **Hilti** tirštąjį tepalą. Naudojant netinkamą tirštąjį tepalą, yra pavojus prietaisą pažeisti.



5.3 Įkišamo elektros maitinimo kabelio prijungimas 5

ATSARGIAI

Sužalojimo pavojus dėl paviršinio nuotėkio srovės, esant užterštiems kontaktams.

- ▶ Atskiriamą elektros maitinimo kabelio kištuką prie prietaiso junkkite tik kai jis yra švarus, sausas ir atjungtas nuo elektros tinklo.

1. Koduotą atskiriamą elektrinę kištukinę jungtį kiškite į prietaisą, kol atsirems, o fiksatorius garsiai užsifikuos.
2. Maitinimo kabelio kištuką įstatykite į elektros lizdą.

Hilti rekomenduoja įkišamą elektros maitinimo kabelį visada palikti prie įrankio. Įkišamą elektros maitinimo kabelį reikia ištraukti tik tada, kai jis lūžta / yra pažeistas.

6 Darbas

ISPĖJIMAS

Pavojų kelia pažeistas kabelis! Darbo metu pažeidę elektros maitinimo arba ilginimo kabelį, nedelsiant atjunkite jį ir prietaisą nuo elektros tinklo. Pažeistų vietų nelieskite!

- ▶ Visus prijungimo kabelius reguliariai tikrinkite. Pažeistus ilginimo kabelius pakeiskite. Pažeistus elektros maitinimo kabelius leiskite pakeisti profesionaliam elektrikui.

Rekomenduojama naudoti apsauginę nuotėkio relę (RCD), kurios didžiausia išjungimo srovė yra 30 mA.

6.1 Kirstuvo paleidimas 3

1. Kartu spauskite rankeną ir jungiklį.
 - ▶ Kirstuvas pradeda veikti.
2. Dirbdami laikykite nuspaudę jungiklį.
 - ▶ Papildomai spausdami rankeną galite valdyti mašinos efektyvumą.

Darant ilgesnę nei 1 minutės pertrauką, mašina vėl grįžta atgal į pradinį nustatymą. Norėdami paleisti iš naujo, turėti vėl spausti rankeną ir jungiklį.

6.2 Kirtimas kalnu 7

Kalną galima fiksuoti 6-ose padėtyse (60° žingsniu). Todėl plokščioju ir profiliu kalnu visada galima dirbti pasirinkus atitinkamą optimalią darbinę padėtį.

1. Maitinimo kabelio kištuką įstatykite į elektros lizdą.
2. Kalną pridėkite maždaug 80–100 mm (3 1/8 – 4") atstumu nuo briaunos.
3. Spauskite rankeną ir jungiklį.
4. Kirtimo procesą pradėkite kalną laikydami 90° kampu į betoninį paviršių ir jo smaigalį nukreipę briaunos link. Tada kalto kampą judinkite nuo 70° iki 80° kryptimi ir taip atskelkite medžiagą.
 - ▶ Apdorodami gelžbetonį, kalną visada statykite prie medžiagos briaunos, o ne prie armatūrinio plieno.

Darbas esant žemai temperatūrai:

Prieš įsijungiant kalimo mechanizmui prietaisas turi pasiekti minimalią darbinę temperatūrą. Kad ją pasiektumėte, padėkite prietaisą ant apdirbamojo paviršiaus ar grindų ir leiskite trumpai veikti tuščiąja eiga. Jei reikia, pakartokite šį procesą, kol smūginis mechanizmas pradės veikti.

6.3 Keičiamojo įrankio išėmimas 3

ISPĖJIMAS

Sužalojimo pavojus Naudojamas įrankis įkaista, jo briaunos gali būti aštrios.

- ▶ Keisdami įrankį, mūvėkite apsaugines pirštines.

1. Maitinimo kabelio kištuką ištraukite iš elektros lizdo.
2. Įrankio fiksatorių traukite atgal, kol atsirems.



- Išimkite keičiamąjį įrankį.
- ⚠ DĖMESIO!** Įkaitusio įrankio nedėkite ant lengvai užsidegančių medžiagų.

6.4 Įkišamo elektros maitinimo kabelio atjungimas nuo elektrinio prietaiso

- Maitinimo kabelio kištuką ištraukite iš elektros lizdo.
- Paspauskite fiksavimo mygtuką ir kodoatą atskiriamą elektrinę kištukinę jungtį ištraukite.
- Elektros maitinimo kabelį ištraukite iš prietaiso.



Hilti rekomenduoja įkišamą elektros maitinimo kabelį visada palikti prie įrankio. Įkišamą elektros maitinimo kabelį reikia ištraukti tik tada, kai jis lūžta / yra pažeistas.

7 Prižiūra ir einamasis remontas



ĮSPĖJIMAS

Pavojų kelia elektros smūgis! Prižiūra ir einamasis remontas, kai maitinimo kabelio kištukas įstatytas į elektros lizdą, gali tapti sunkių sužalojimų ir nudegimų priežastimi.

- Prieš pradėdami bet kokius prižiūros ir einamojo remonto darbus, maitinimo kabelio kištuką ištraukti iš elektros lizdo!

Prižiūra

- Atsargiai pašalinti prilipusius nešvarumus.
- Vėdinimo plyšius atsargiai valyti sausu šepetėliu.
- Korpusą valyti tik šiek tiek sudrėkinta šluoste. Nenaudoti silikono turinčių prižiūros priemonių, nes jos gali pakenkti plastikinėms detalėms.

Einamasis remontas



ĮSPĖJIMAS

Pavojų kelia elektros smūgis! Netinkamas elektrinių komponentų remontas gali tapti sunkių sužalojimų ir nudegimų priežastimi.

- Remontuoti elektrines įrenginio dalis leidžiama tik kvalifikuotiems elektrikams.
- Reguliariai tikrinti, ar matomos dalys nėra pažeistos ir ar valdymo elementai veikia nepriekaištingai.
- Pažeisto ir / arba turinčio veikimo sutrikimų prietaiso nenaudoti. Nedelsiant kreiptis į **Hilti** techninės prižiūros centrą dėl remonto.
- Baigus techninės prižiūros ir einamojo remonto darbus, sumontuoti visus apsauginius įtaisus ir patikrinti jų veikimą.



Kad eksploatacija būtų patikima, naudokite tik originalias atsargines dalis ir eksploatacines medžiagas. Mūsų aprobuotas atsargines dalis, eksploatacines medžiagas ir reikmenis savo prietaisui rasite vietinėje **Hilti Store** arba tinklalapyje www.hilti.group.

8 Transportavimas ir sandėliavimas

Transportavimas

- Šio prietaiso netransportuokite su įstatytu įrankiu.
- Atkreipkite dėmesį, kad transportuojamas prietaisas būtų saugioje padėtyje.
- Po kiekvieno transportavimo tikrinkite, ar matomos dalys nėra pažeistos ir ar valdymo elementai veikia nepriekaištingai.

Sandėliavimas

- Šį prietaisą laikykite / sandėliuokite tik su iš elektros lizdo ištrauktu maitinimo kabelio kištuku.
- Šį prietaisą laikykite sausoje ir vaikams bei neįgaliesiems asmenims neprieinamoje vietoje.
- Po ilgesnio sandėliavimo tikrinkite, ar matomos dalys nėra pažeistos ir ar valdymo elementai veikia nepriekaištingai.



8.1 Transportavimas transportiniu vežimėliu

ĮSPĖJIMAS

Sužalojimo pavojus kelia didelis svoris Kirstuvus yra sunkus.

- Pagal galimybes visada naudokite transportinį vežimėlį. Jeigu transportinio vežimėlio nėra, kirstuvą visada neškite dviese.



Transportinio vežimėlio nestatykite ant nuožulnaus paviršiaus.

Pasirūpinkite, kad transportinis vežimėlis stovėtų stabiliai.

Transportavimui pasirinkite saugų kelią.

1. Kirstuvą pastatykite ant transportiniame vežimėlyje esančio mašinos fiksavimo strypo.
2. Transportuojamą kirstuvą užfiksukite fiksavimo apkaba.
3. Kaltus į eksploatacinių medžiagų laikiklį kiškite iki fiksavimo padėties.

9 Pagalba sutrikus veikimui

Pasitaikius sutrikimų, kurie nėra aprašyti šioje lentelėje arba kurių negalite pašalinti patys, kreipkitės į **Hilti** techninės priežiūros centrą.

9.1 Sutrikimų paieška

Sutrikimas	Galima priežastis	Sprendimas
Kirstuvus neįsijungia.	Vyksta elektroninės sistemos iniciacija (įstačius kištuką, ji trunka maždaug 4 sekundes)	► Prietaisą išjunkite ir vėl įjunkite.
	Nutrūko elektros energijos tiekimas	► Prijunkite kitą elektrinį prietaisą ir patikrinkite jo veikimą.
	Dingus įtampai elektros tinkle, yra suaktyvintas elektroninis paleidimo blokatorius.	► Prietaisą išjunkite ir vėl įjunkite.
	Generatorius veikia budėjimo režimu (Sleep Mode)	► Apkraukite generatorių antruoju energijos vartotoju (pvz., statybinu šviestuvu). Paskui prietaisą išjunkite ir vėl įjunkite.
	Įkišamas elektros maitinimo kabelis netinkamai įstatytas į lizdą	► Įkišamą elektros maitinimo kabelį tinkamai prijunkite prie elektrinio prietaiso.
Techninės priežiūros rodmuo šviečia raudona spalva.	Prietaiso gedimas arba laikas vykdyti techninės priežiūros darbus	► Prietaisą remontuokite tik Hilti techninės priežiūros centre.
Techninės priežiūros rodmuo mirksi raudona spalva.	Laikinoji klaida	<ul style="list-style-type: none"> ► Palaukite 10 sekundžių, kol nustos mirksėti. ► Jei po 10 sekundžių nenustoja mirksėti, ištraukite maitinimo kabelio kištuką ir palaukite 2 minutes. ► Jei nenustoja mirksėti, prietaisą pristatykite Hilti techninės priežiūros centrą.
	Elektros tinkle yra per didelė įtampa	► Pakeiskite elektros lizdą. Patikrinkite elektros tinklo parametrus.
Parengties būsenos rodmuo mirksi žalia spalva.	Apsauga nuo perkaitimo	<ul style="list-style-type: none"> ► Leiskite prietaisui atvėsti. ► Išvalykite vėdinimo plyšius. Prietaisą eksploatuoti tuščiajame eiga dar galima.



Sutrikimas	Galima priežastis	Sprendimas
Prietaisas nesmūgiuoja.	Prietaisas per šaltas	► Kirstuvą padėkite ant grindų ir leiskite veikti tuščiaja eiga. Jeigu reikia, pakartokite, kol smūginis mechanizmas pradės veikti.
Kirstuvus kala mažesniu dažniu.	Smūgis tuščiaja eiga (kirstuvus nekala kieto pagrindo)	► Atleiskite jungiklį ir iš naujo paleiskite mašiną arba: ► Nuspaudę jungiklį, rankeną taip pat spauskite iki galo.
Kirstuvus neįsijungia arba darbo metu išsijungia.	Per ilgas ilginimo kabelis ir / arba per mažas jo laidų skerspjūvio plotas	► Naudokite reikiamo ilgio ir / arba pakankamo laidų skerspjūvio ploto ilginimo kabelį.

10 Utilizavimas

Hilti prietaisai yra pagaminti iš medžiagų, kurias galima naudoti antrą kartą. Būtina antrinio perdirbimo sąlyga yra tinkamas medžiagų išrūšiavimas. Daugelyje šalių **Hilti** priims Jūsų nebe naudojamą prietaisą perdirbti. Apie tai galite pasiteirauti artimiausiam **Hilti** techninės priežiūros centre arba savo prekybos konsultantui.



- Elektrinių įrankių, elektroninių prietaisų ir akumuliatorių neišmeskite į buitinius šiukšlynus!

11 RoHS (direktyva dėl pavojingų medžiagų naudojimo ribojimo)

Pavojingų medžiagų lentelę rasite spausdami šią nuorodą: qr.hilti.com/r11668382.
Nuorodą į RoHS lentelę rasite kaip QR kodą šios instrukcijos gale.

12 Gamintojo teikiama garantija

- Kilus klausimų dėl garantijos sąlygų, kreipkitės į vietinį **Hilti** partnerį.

Перевод оригинального руководства по эксплуатации

1 Указания к документации

1.1 Об этом документе



Импортер и уполномоченная изготовителем организация

- (RU) Российская Федерация
АО "Хилти Дистрибьюшн ЛТД", 141402, Московская область, г. Химки, ул. Ленинградская, стр. 25
- (BY) Республика Беларусь
222750, Минская область, Дзержинский район, Р-1, 18-й км, 2 (около д. Слободка), помещение 1-34
- (KZ) Республика Казахстан
Республика Казахстан, индекс 050057, г. Алматы, ул. Тимирязева 42, павильон 15-9
Қазақстан Республикасы, 050057, Алматы қ., Тимирязев көшесі, 15-9 павильоны
- (AM) Республика Армения
ООО Эйч-Кон, Республика Армения, г. Ереван, ул. Бабабяна 10/1

Страна производства: см. маркировочную табличку на оборудовании.

Дата производства: см. маркировочную табличку на оборудовании.

Соответствующий сертификат можно найти по адресу: www.hilti.ru



Специальных требований к условиям хранения, транспортировки и использования, кроме указанных в руководстве по эксплуатации, нет.

Срок службы изделия составляет 5 лет.

- Ознакомьтесь с этим документом перед началом работы. Это является залогом безопасной работы и бесперебойной эксплуатации.
- Соблюдайте указания по технике безопасности и предупреждающие указания, приводимые в данном документе и на изделии.
- Храните руководство по эксплуатации всегда рядом с электроинструментом и передавайте электроинструмент будущим владельцам только вместе с этим руководством.

1.2 Пояснение к знакам (условным обозначениям)

1.2.1 Предупреждающие указания

Предупреждающие указания служат для предупреждения об опасностях при обращении с машиной. Используются следующие сигнальные слова:

ОПАСНО

ОПАСНО !

- ▶ Общее обозначение непосредственной опасной ситуации, которая влечет за собой тяжелые травмы или смертельный исход.

ПРЕДУПРЕЖДЕНИЕ

ПРЕДУПРЕЖДЕНИЕ !

- ▶ Общее обозначение потенциально опасной ситуации, которая может повлечь за собой тяжелые травмы или смертельный исход.





ОСТОРОЖНО

ОСТОРОЖНО !

- ▶ Общее обозначение потенциально опасной ситуации, которая может повлечь за собой травмы или повреждение оборудования (материальный ущерб).


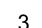


1.2.2 Символы, используемые в руководстве

В этом руководстве используются следующие символы:

	Перед использованием прочтите руководство по эксплуатации.
	Указания по эксплуатации и другая полезная информация
	Обращение с материалами, пригодными для вторичной переработки
	Не выбрасывайте электроустройства и аккумуляторы вместе с обычным мусором!

1.2.3 Символы на изображениях

На изображениях используются следующие символы:

	Эти цифры указывают на соответствующее изображение в начале данного руководства.
	Нумерация на изображениях отображает порядок выполнения рабочих операций и может отличаться от нумерации, используемой в тексте.
	Номера позиций используются в обзорном изображении. В обзоре изделия они указывают на номера в экспликации.
	Этот знак должен привлечь особое внимание пользователя при обращении с изделием.



1.3 Символы на изделии

1.3.1 Символы на изделии

На изделии используются следующие символы:

	Класс защиты II (двойная изоляция)
	Транспортировка краном запрещена
	Беспроводная передача данных

1.4 Информация об изделии

Изделия **HILTI** предназначены для профессионального использования, поэтому они должны обслуживаться и ремонтироваться только уполномоченным и обученным персоналом. Этот персонал должен пройти специальный инструктаж по технике безопасности. Использование изделия и его оснастки не по назначению или его эксплуатация необученным персоналом могут представлять опасность.

Типовое обозначение и серийный номер указаны на заводской табличке.

- ▶ Перепишите серийный номер в нижеприведенную табличную форму. Данные изделия необходимы при обращении в наше представительство или сервисный центр.

Указания к изделию

Отбойный молоток	TE 3000-AVR
Поколение	03
Серийный номер	

1.5 Декларация соответствия нормам

Настоящим мы с полной ответственностью заявляем, что данное изделие соответствует действующим директивам и нормам. Копию декларации соответствия нормам см. в конце этого документа.

Техническая документация (оригиналы) хранится здесь:

Hilti Entwicklungsgesellschaft mbH | Zulassung Geräte | Hiltistraße 6 | 86916 Kaufering, Германия

2 Безопасность

2.1 Общие указания по технике безопасности для электроинструментов

⚠ ПРЕДУПРЕЖДЕНИЕ Изучите все указания по технике безопасности, инструкции, иллюстрации и технические данные, которые прилагаются к данному электроинструменту. Несоблюдение приводимых ниже указаний может привести к поражению электрическим током, пожару и/или тяжелым травмам.

Сохраните все указания по технике безопасности и инструкции для следующего пользователя.

Используемый далее термин «электроинструмент» относится к электроинструменту, работающему от электрической сети (с кабелем электропитания) и от аккумулятора (без кабеля электропитания).

Безопасность рабочего места

- ▶ Следите за чистотой и хорошей освещенностью на рабочем месте. Беспорядок на рабочем месте или плохое освещение могут привести к несчастным случаям.
- ▶ Не используйте электроустройство/электроинструмент во взрывоопасной зоне, где имеются горючие жидкости, газы или пыль. При работе электроустройство/электроинструмент искрит, и искры могут воспламенить пыль или пары/газы.
- ▶ Не разрешайте детям и посторонним приближаться к работающему электроустройству/электроинструменту. Отвлекаясь от работы, можно потерять контроль над электроустройством/электроинструментом.

Электрическая безопасность

- ▶ Соединительная вилка электроинструмента должна соответствовать розетке электросети. Не изменяйте конструкцию вилки! Не используйте переходные вилки с электроинструментами с защитным заземлением. Использование оригинальных вилок и соответствующих им розеток снижает риск поражения электрическим током.



- ▶ **Избегайте непосредственного контакта с заземленными поверхностями, например с трубами, отопительными приборами, газо-/электропластинами и холодильниками.** При контакте с заземленными предметами возникает повышенный риск поражения электрическим током.
- ▶ **Предохраняйте электроинструменты от дождя или воздействия влаги.** В результате попадания воды в электроинструмент возрастает риск поражения электрическим током.
- ▶ **Не используйте кабель электропитания не по назначению, например для переноски электроинструмента, его подвешивания или для выдерживания вилки из розетки электросети.** Защищайте кабель электропитания от воздействий высоких температур, масла, острых кромок или вращающихся деталей/узлов. В результате повреждения или схлестывания кабелей электропитания повышается риск поражения электрическим током.
- ▶ **Если работы с электроинструментом выполняются на открытом воздухе, применяйте только удлинительные кабели, которые разрешено использовать вне помещений.** Использование удлинительного кабеля, пригодного для использования вне помещений, снижает риск поражения электрическим током.
- ▶ **Если избежать работы с электроинструментом в условиях влажности не представляется возможным, используйте автомат защиты от тока утечки.** Использование автомата защиты от тока утечки снижает риск поражения электрическим током.

Безопасность персонала

- ▶ **Будьте внимательны, следите за своими действиями и серьезно относитесь к работе с электроинструментом. Не пользуйтесь электроинструментом, если вы устали или находитесь под действием наркотиков, алкоголя или медикаментов.** Незначительная ошибка при невнимательной работе с электроинструментом может стать причиной серьезного травмирования.
- ▶ **Используйте средства индивидуальной защиты и всегда надевайте защитные очки.** Использование средств индивидуальной защиты, например респиратора, защитной обуви на нескользящей подошве, защитной каски или защитных наушников, в зависимости от вида и условий эксплуатации электроинструмента, снижает риск травмирования.
- ▶ **Избегайте непреднамеренного включения электроинструмента. Убедитесь в том, что электроинструмент выключен, прежде чем подключить его к электропитанию и/или вставить аккумулятор, поднимать или переносить электроинструмент.** Ситуации, когда при переноске электроинструмента палец находится на выключателе или когда выключенный электроинструмент подключается к электросети, могут привести к несчастным случаям.
- ▶ **Перед включением электроинструмента удалите регулировочные приспособления или гаечные ключи.** Рабочий инструмент или гаечный ключ, находящийся во вращающейся части электроинструмента, может стать причиной получения травм.
- ▶ **Старайтесь избегать неестественных поз при работе. Постоянно сохраняйте устойчивое положение и равновесие.** Это позволит лучше контролировать электроинструмент в непредвиденных ситуациях.
- ▶ **Носите спецодежду. Не надевайте очень свободную одежду или украшения. Оберегайте волосы, одежду и защитные перчатки от вращающихся узлов электроинструмента.** Свободная одежда, украшения и длинные волосы могут быть захвачены ими.
- ▶ **Если предусмотрено подсоединение устройств для удаления и сбора пыли, убедитесь в том, что они подсоединены и используются по назначению.** Использование пылеудаляющего аппарата снижает вредное воздействие пыли.
- ▶ **Не пребывайте в ложной уверенности в собственной безопасности и не пренебрегайте правилами техники безопасности для электроинструментов, даже если вы являетесь опытным пользователем электроинструмента.** Неосторожное обращение может в течение долей секунды стать причиной получения тяжелых травм.

Использование и обслуживание электроинструмента

- ▶ **Не допускайте перегрузки электроинструмента. Используйте электроинструмент, предназначенный именно для данной работы.** Соблюдение этого правила обеспечит более высокое качество и безопасность работы в указанном диапазоне мощности.
- ▶ **Не используйте электроинструмент с неисправным выключателем.** Электроинструмент, включение или выключение которого затруднено, представляет опасность и должен быть отремонтирован.
- ▶ **Прежде чем приступить к регулировке электроинструмента, замене принадлежностей или перед перерывом в работе выньте вилку из розетки и/или аккумулятор из электроинструмента.** Данная мера предосторожности позволит предотвратить непреднамеренное включение электроинструмента.
- ▶ **Храните неиспользуемые электроинструменты в местах, недоступных для детей. Не позволяйте использовать электроинструмент лицам, которые не ознакомлены с ним или не читали**



эти инструкции. Электроинструменты представляют собой опасность в руках неопытных пользователей.

- ▶ **Бережно обращайтесь с электроинструментами и принадлежностями. Проверяйте беспрепятственное функционирование подвижных частей, легкость их хода, целостность и отсутствие повреждений, которые могли бы отрицательно повлиять на работу электроинструмента. Сдавайте поврежденные части электроинструмента в ремонт до его использования.** Причиной многих несчастных случаев является несоблюдение правил технического обслуживания электроинструментов.
- ▶ **Необходимо следить за тем, чтобы режущие инструменты были острыми и чистыми.** Заклинивание содержащихся в надлежащем состоянии режущих инструментов происходит реже, ими легче управлять.
- ▶ **Применяйте электроинструмент, принадлежности (оснастку), рабочие инструменты и т. д. согласно данным указаниям. Учитывайте при этом рабочие условия и характер выполняемой работы.** Использование электроинструментов не по назначению может привести к опасным ситуациям.
- ▶ **Замасленные рукоятки и поверхности для хвата немедленно очищайте — они должны быть сухими и чистыми.** Скользкие рукоятки и поверхности для хвата не обеспечивают безопасное управление и контроль электроинструмента в непредвиденных ситуациях.

Сервис

- ▶ **Доверяйте ремонт своего электроинструмента только квалифицированному персоналу, использующему только оригинальные запчасти.** Этим обеспечивается поддержание электроинструмента в безопасном и исправном состоянии.

2.2 Указания по технике безопасности при работе с перфораторами

Указания по технике безопасности при выполнении любых работ

- ▶ **Надевайте защитные наушники.** В результате воздействия шума возможна потеря слуха.
- ▶ **Используйте дополнительные рукоятки, которые входят в комплект инструмента.** Потеря контроля над инструментом может привести к травмам.
- ▶ **При опасности повреждения рабочим инструментом скрытой электропроводки или сетевого кабеля держите электроинструмент за изолированные поверхности.** При контакте с токопроводящими предметами незащищенные металлические части электроинструмента находятся под напряжением, что может привести к поражению электрическим током.

2.3 Дополнительные указания по технике безопасности

Безопасность персонала

- ▶ Используйте электроинструмент только в технически исправном состоянии.
- ▶ Внесение изменений в конструкцию электроинструмента или его модификация категорически запрещаются.
- ▶ При изготовлении сквозных проемов ограждайте опасную зону с противоположной стороны стены. Вылетающие наружу и/или падающие вниз осколки могут травмировать других людей.
- ▶ Убедитесь в том, что боковая рукоятка правильно установлена и надежно закреплена. Всегда надежно удерживайте электроинструмент обеими руками за предусмотренные для этого рукоятки. Рукоятки должны быть сухими и чистыми, не замасленными.
- ▶ Используйте с этим электроинструментом только зубила Hilti с соединительным концом (хвостовиком) TE-H.
- ▶ Заменяйте зубило на рабочий инструмент только в горизонтальном положении, не в вертикальном!
- ▶ Вставьте зубило в зажимной патрон так, чтобы оно зафиксировалось с характерным щелчком и чтобы не было видно желтого контрольного кольца.
- ▶ Убедитесь в надлежащей фиксации зубила. **ВНИМАНИЕ:** Незакрепленное зубило может привести к возникновению опасных ситуаций!
- ▶ Запускайте этот электроинструмент только в рабочем положении, не в транспортировочном!
- ▶ Чтобы во время работы руки не затекали, время от времени делайте упражнения для расслабления и разминки пальцев. При длительной работе возникающие вибрации могут привести к нарушениям кровоснабжения сосудов или в нервных окончаниях пальцев/кистей рук или в запястьях.
- ▶ Электроинструмент не предназначен для использования детьми или физически ослабленными лицами без соответствующего инструктажа.
- ▶ Держите электроинструмент в недоступном для детей месте.



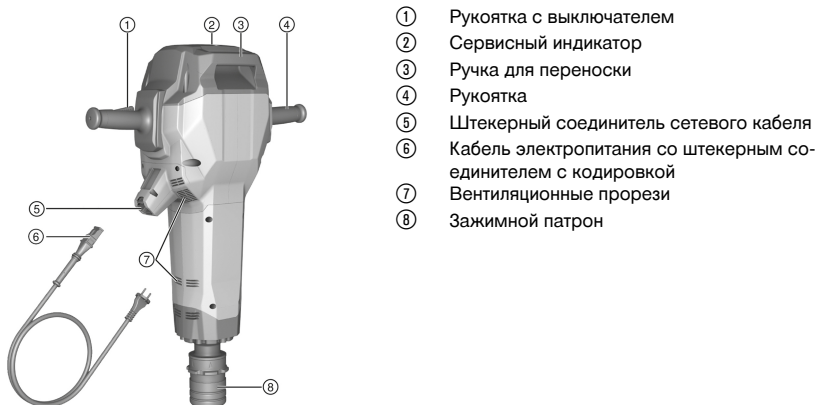
- ▶ Перед началом работы выясните (по обрабатываемому материалу) класс опасности возникающей пыли. Для работы с электроинструментом используйте строительный (промышленный) пылесос, степень защиты которого соответствует нормам пылезащиты, действующим в месте эксплуатации.
- ▶ По возможности используйте систему пылеудаления с подходящим мобильным пылеудаляющим аппаратом. Пыль, возникающая при обработке лакокрасочных покрытий, содержащих свинец, некоторых видов древесины, бетона/кирпичной и каменной кладки с частицами кварца, минералов, а также металла может представлять опасность для здоровья.
- ▶ Обеспечьте оптимальную вентиляцию рабочей зоны и при необходимости надевайте респиратор, который подходит для защиты от конкретного вида пыли. Вдыхание частиц такой пыли или контакт с ней может стать причиной появления аллергических реакций и/или заболеваний дыхательных путей как у пользователя, так и находящихся вблизи лиц. Некоторые виды пыли (например, пыль, возникающая при обработке дуба или бука) считаются канцерогенными, особенно в комбинации с дополнительными материалами, используемыми для обработки древесины (соль хромовой кислоты, средства защиты древесины). К работам с асбестосодержащим материалом должны допускаться только специалисты.

Электрическая безопасность

- ▶ Перед началом работы проверяйте рабочее место на наличие скрытой электропроводки, газо- и водопроводных труб. Открытые металлические части электроинструмента могут стать проводниками электрического тока, если случайно задеть (повредить) электропроводку.
- ▶ Регулярно проверяйте кабель электропитания электроинструмента. Замена поврежденного кабеля должна осуществляться специалистом-электриком. В случае повреждения кабеля электропитания электроинструмента его следует заменить другим специально предназначенным для замены и допущенным к эксплуатации кабелем, который можно заказать через отдел по обслуживанию клиентов. Регулярно проверяйте удлинительные кабели и при наличии повреждений заменяйте их. Если во время работы кабель электропитания/удлинительный кабель был поврежден, прикасаться к нему запрещается. Выньте вилку кабеля электропитания из розетки. Поврежденные кабели электропитания и удлинительные кабели представляют опасность поражения электрическим током.
- ▶ При частой обработке токопроводящих материалов электроинструменты загрязняются, поэтому их следует регулярно сдавать в сервисный центр **Hilti** для проверки. При неблагоприятных условиях влага и пыль, скапливающиеся на поверхности электроинструмента (особенно от токопроводящих материалов), могут вызвать удар электрическим током.
- ▶ При отключении подачи электропитания следует выключить электроинструмент и вынуть вилку кабеля из розетки электросети. Это поможет избежать непреднамеренного включения электроинструмента после возобновления подачи электропитания.

3 Описание

3.1 Обзор изделия 1



3.2 Обзор транспортировочной тележки 2

- ① Рукоятка
- ② Фиксатор



- | | |
|--|--|
| ③ Стопорная скоба | ⑥ Крепление колеса (шайба, шплинт) |
| ④ Держатель для расходного материала (зубил) | ⑦ Зажимная оправка (для фиксации электроинструмента) |
| ⑤ Колеса | ⑧ Ручка для переноски |

3.3 Использование по назначению

Данное изделие представляет собой ручной отбойный молоток с зажимным патроном с шестигранным 28 мм. Он предназначен для долбежных работ по бетону, кирпичной кладке и асфальту. Дополнительными областями применения отбойного молотка являются трамбование и выемка грунта.

- ▶ Его эксплуатация возможна только при напряжении и частоте электросети, которые соответствуют указанным на заводской табличке.

3.4 Возможное использование не по назначению

Это изделие не предназначено для обработки опасных для здоровья материалов.

Это изделие не предназначено для выполнения работ во влажной среде.

3.5 Сервисный индикатор

Отбойный молоток оснащен сервисным индикатором со световым сигналом.

Состояние	Значение
Сервисный индикатор горит красным.	<ul style="list-style-type: none"> • Срок службы электроинструмента достиг предела, при котором требуется сервисное обслуживание. Доставьте электроинструмент в сервисный центр Hilti. • Имеет место повреждение электроинструмента. Доставьте электроинструмент в сервисный центр Hilti.
Сервисный индикатор мигает красным.	<ul style="list-style-type: none"> • Временная ошибка. Подождите 10 с, пока не прекратится мигание. • Если мигание не прекратится через 10 с, извлеките вилку кабеля электропитания и подождите 2 мин. • Если мигание не прекратится, доставьте электроинструмент в сервисный центр Hilti.
Индикатор готовности к работе мигает зеленым.	<ul style="list-style-type: none"> • Сработала защита от перегрева. • Дайте инструменту остыть.
Индикатор готовности к работе горит зеленым.	Электроинструмент готов к работе.



Своевременно доставляйте электроинструмент в сервисный центр **Hilti**. Благодаря этому обеспечивается его постоянная готовность к работе.

3.6 Active Vibration Reduction

Электроинструмент оснащен системой Active Vibration Reduction (AVR), которая обеспечивает заметное снижение вибраций.

3.7 Комплект поставки

Отбойный молоток, руководство по эксплуатации, консистентная смазка.

Транспортировочная тележка предлагается в виде опции.



Другие системные принадлежности, допущенные для использования с этим изделием, вы можете найти в **Hilti Store** или на сайте www.hilti.group.



4 Технические данные



Номинальное напряжение, номинальный ток, частота и/или номинальная потребляемая мощность указаны на заводской табличке (данные могут отличаться в зависимости от экспортного исполнения).

При запитывании от генератора/трансформатора его выходная мощность должна быть как минимум вдвое выше номинальной потребляемой мощности, которая указана на заводской табличке электроинструмента. Рабочее напряжение трансформатора или генератора должно всегда находиться в диапазоне между +5 % и -15 % номинального напряжения электроинструмента.

	TE 3000-AVR
Масса согласно методу EPTA 01	27,1 кг
Энергия одиночного удара согласно методу EPTA	85 Дж
Температура хранения	-20 °C ... 70 °C
Температура окружающей среды при эксплуатации	-20 °C ... 55 °C

4.1 Данные по шуму и вибрациям согласно EN 60745

Приводимые здесь значения уровня звукового давления и вибрации были измерены согласно стандартизированной процедуре измерения и могут использоваться для сравнения электроинструментов между собой. Они также подходят для предварительной оценки вредных воздействий. Указанные данные применимы к основным областям применения электроинструмента. Однако, если электроинструмент используется для других целей, с другими рабочими (сменными) инструментами или в случае его неудовлетворительного технического обслуживания, данные могут быть иными. Вследствие этого в течение всего периода работы электроинструмента возможно значительное увеличение вредных воздействий. Для точного определения вредных воздействий следует также учитывать промежутки времени, в течение которых электроинструмент находится в выключенном состоянии или работает вхолостую. Вследствие этого в течение всего периода работы электроинструмента возможно заметное уменьшение вредных воздействий. Примите дополнительные меры безопасности для защиты пользователя от воздействия возникающего шума и/или вибраций, например: техническое обслуживание электроинструмента и рабочих инструментов, сохранение тепла рук, правильная организация рабочих процессов.

Данные о шуме

Уровень звуковой мощности (L_{WA})	106 дБ(А)
Погрешность уровня звуковой мощности (K_{WA})	3 дБ(А)
Уровень звукового давления (L_{pA})	95 дБ(А)
Погрешность уровня звукового давления (K_{pA})	3 дБ(А)

Данные о вибрации

Долбление ($a_{h, Cheq}$)	6,9 м/с ²
Коэффициент погрешности (К)	1,5 м/с ²

4.2 Использование удлинительного кабеля

ПРЕДУПРЕЖДЕНИЕ

Опасность вследствие поврежденных кабелей! При повреждении кабеля электропитания или удлинительного кабеля во время работы ни в коем случае не прикасайтесь к ним. Выньте вилку кабеля электропитания из розетки.

- ▶ Регулярно проверяйте кабель электропитания электроинструмента. Замена поврежденного кабеля должна осуществляться специалистом-электриком.
- Используйте только допущенные для данной области применения удлинительные кабели достаточного сечения. В противном случае возможна потеря мощности электроинструмента и перегрев кабеля.
- Регулярно проверяйте, не поврежден ли удлинительный кабель.
- Заменяйте поврежденные удлинительные кабели.
- При выполнении работ вне помещений используйте только допущенные к эксплуатации удлинительные кабели с соответствующей маркировкой.



Рекомендуемые значения минимально допустимого сечения и максимально возможной длины кабеля см. в конце этого документа по ссылке в виде QR-кода.

5 Подготовка к работе

ОСТОРОЖНО

Опасность травмирования! Непреднамеренное включение электроинструмента

- ▶ Перед регулировкой электроинструмента или заменой принадлежностей вынимайте вилку из розетки электросети.

Соблюдайте указания по технике безопасности и предупреждающие указания, приводимые в данном документе и на изделии.

5.1 Рабочий инструмент

Используйте с этим электроинструментом только зубила **Hilti** с соединительным концом (хвостовиком) **TE-H**.

Другие зубила не могут фиксироваться надлежащим образом, и в этих случаях будет видно желтое контрольное кольцо на фиксаторе. Это является индикатором того, что рабочий инструмент не подходит для данного отбойного молотка!

- ▶ Перед каждым использованием проверяйте, не видно ли желтого контрольного кольца на фиксаторе.

5.2 Установка рабочего инструмента

Перед каждым использованием проверяйте рабочий инструмент на отсутствие повреждений и неравномерный износ, при необходимости заменяйте его.

1. Слегка смажьте хвостовик рабочего инструмента.
2. Вставьте зубило с хвостовиком **TE-H** в фиксатор так, чтобы оно зафиксировалось с характерным щелчком и чтобы не было видно желтого контрольного кольца.
3. Потяните рабочий инструмент на себя, чтобы удостовериться, что он надежно закреплен в фиксаторе (зажимном патроне).

Используйте только оригинальную пластичную смазку фирмы **Hilti**. Использование неподходящей пластичной смазки может стать причиной повреждений электроинструмента.

5.3 Подсоединение съемного кабеля электропитания

ОСТОРОЖНО

Опасность травмирования вследствие токов (поверхностной) утечки при загрязнении контактов

- ▶ Разъемный штекерный соединитель следует подключать к электроинструменту только в чистом, сухом и обесточенном состоянии.

1. Вставьте разъемный штекерный соединитель с кодировкой до упора в соответствующий разъем на электроинструменте (при правильной фиксации раздается характерный щелчок).
2. Вставьте вилку кабеля электропитания в розетку.

Hilti рекомендует всегда оставлять съемный кабель электропитания подсоединенным к электроинструменту. Съемный кабель электропитания следует отсоединять только в случае его обрыва или повреждения.



6 Выполнение работ

ПРЕДУПРЕЖДЕНИЕ

Опасность вследствие поврежденных кабелей! При повреждении кабеля электропитания или удлинительного кабеля во время работы немедленно отсоедините электроинструмент и соответствующий кабель от электросети. Не касайтесь места повреждения!

- ▶ Регулярно проверяйте все соединительные кабели. Заменяйте поврежденные удлинительные кабели. Для замены поврежденных кабелей электропитания привлекайте опытного специалиста.

Обычно рекомендуется использовать автомат защиты от тока утечки (RCD) с максимальным током отключения 30 мА.

6.1 Включение отбойного молотка

1. Сожмите рукоятку и выключатель.
 - ▶ Отбойный молоток включится.
2. Во время работы держите выключатель нажатым.
 - ▶ Кроме того, нажатием на рукоятку можно контролировать производительность электроинструмента.

Если перерыв длится дольше 1 мин, электроинструмент переключается на исходные настройки. Для повторного включения следует снова сжать рукоятку и выключатель.

6.2 Долбление

Зубило можно установить в 6 разных положениях (с шагом 60°). Благодаря этому плоские и фасонные зубила всегда можно установить в оптимально подходящее для работы положение.

1. Вставьте вилку кабеля электропитания в розетку.
2. Установите зубило на расстоянии прим. 80–100 мм от кромки.
3. Сожмите ручку и выключатель.
4. Начиная процесс долбления под углом 90° к бетонной поверхности и направляйте вершину зубила к кромке. Затем измените угол в направлении от 70° до 80° и выполните вскрытие материала.
 - ▶ При долблении материала с арматурными стержнями всегда ведите зубило по кромке материала, а не по арматуре.

Работа при низких температурах:

Минимальной рабочей температурой является температура, достаточная для запуска ударного механизма электроинструмента. Для ее достижения установите электроинструмент на базовый материал и дайте ему поработать на холостом ходу. При необходимости повторите операцию, пока не запустится ударный механизм.

6.3 Извлечение рабочего инструмента

ПРЕДУПРЕЖДЕНИЕ

Опасность травмирования Рабочий инструмент по ходу работы может нагреваться. Кроме того, он может иметь острые кромки.

- ▶ При замене рабочего инструмента надевайте защитные перчатки.

1. Выньте вилку кабеля электропитания из розетки.
2. Оттяните зажимной патрон до упора назад.
3. Извлеките рабочий инструмент.
4. **ВНИМАНИЕ!** Не размещайте нагретый рабочий инструмент на легковоспламеняющихся материалах.

6.4 Отсоединение съемного кабеля электропитания от электроинструмента

1. Выньте вилку кабеля электропитания из розетки.
2. Нажмите кнопку фиксации и вытяните разъемный штекерный соединитель с кодировкой.



3. Отсоедините кабель электропитания от электроинструмента.



Hilti рекомендует всегда оставлять съемный кабель электропитания подсоединенным к электроинструменту. Съемный кабель электропитания следует отсоединять только в случае его обрыва или повреждения.

7 Уход и техническое обслуживание



ПРЕДУПРЕЖДЕНИЕ

Опасность травмирования вследствие удара электрическим током! Выполнение работ по уходу и обслуживанию с подключенной вилкой кабеля электропитания может привести к тяжелым травмам и ожогам.

- ▶ Перед проведением любых работ по уходу и обслуживанию всегда вынимайте из розетки вилку кабеля электропитания!

Уход

- Осторожно удаляйте налипшую грязь.
- Осторожно очищайте вентиляционные прорези сухой щеткой.
- Очищайте корпус только с использованием слегка увлажненной ткани. Не используйте средства по уходу с содержанием силикона, поскольку они могут повредить пластиковые детали.

Техническое обслуживание



ПРЕДУПРЕЖДЕНИЕ

Опасность вследствие удара электрического тока! Неквалифицированный ремонт компонентов электрической части может привести к получению серьезных травм и ожогам.

- ▶ Ремонт электрической части перфоратора поручайте только специалисту-электрику.
- Регулярно проверяйте все видимые части электроинструмента на отсутствие повреждений, а элементы управления — на исправное функционирование.
- При повреждениях и/или функциональных сбоях не используйте электроинструмент. Сразу сдавайте его в сервисный центр **Hilti** для ремонта.
- После ухода за электроинструментом и его технического обслуживания установите все защитные приспособления на место и проверьте их исправное функционирование.



Для обеспечения безопасной эксплуатации используйте только оригинальные запасные части и расходные материалы. Допущенные нами запасные части, расходные материалы и принадлежности для данного изделия вы можете найти в **Hilti Store** или смотрите на www.hilti.group.

8 Транспортировка и хранение

Транспортировка

- ▶ Транспортировка этой установки с установленным рабочим инструментом запрещается.
- ▶ Убедитесь в надежной фиксации при транспортировке.
- ▶ Регулярно проверяйте все видимые части установки на отсутствие повреждений, а элементы управления — на исправное функционирование.

Хранение

- ▶ Храните эту установку всегда с вынутой вилкой кабеля электропитания.
- ▶ Храните эту установку в сухом и недоступном для детей и других лиц, не допущенных к работе, месте.
- ▶ Регулярно проверяйте все видимые части установки на отсутствие повреждений, а элементы управления — на исправное функционирование.

8.1 Транспортировка на транспортировочной тележке



ПРЕДУПРЕЖДЕНИЕ

Опасность травмирования вследствие большого веса Отбойный молоток является тяжелым инструментом.

- ▶ По возможности всегда используйте транспортировочную тележку. При ее отсутствии транспортируйте отбойный молоток всегда с помощником.





Не оставляйте тележку на площадках с наклоном.
Следите за устойчивым положением тележки.
Убедитесь в отсутствии препятствий на пути транспортировки.

1. Установите отбойный молоток на зажимную оправку на транспортировочной тележке.
2. На время транспортировки фиксируйте отбойный молоток стопорной скобой.
3. Установите зубила в фиксированное положение в держатель для расходного материала.

9 Помощь при неисправностях

В случае неисправностей, которые не указаны в этой таблице или которые вы не можете устранить самостоятельно, обращайтесь в ближайший сервисный центр **Hilti**.

9.1 Поиск и устранение неисправностей

Неисправность	Возможная причина	Решение
Отбойный молоток не включается.	Выполняется инициализация электроники (до 4 с с момента подключения вилки кабеля).	▶ Выключите электроинструмент, а затем снова включите его.
	Отсутствует электропитание	▶ Подключите другой электроинструмент и проверьте его функционирование.
	Активирована электронная блокировка пуска после сбоя в электропитании	▶ Выключите электроинструмент, а затем снова включите его.
	Генератор в режиме ожидания	▶ Подключите к генератору второй потребитель (например, прожектор для стройплощадок). Выключите электроинструмент, а затем снова включите его.
	Неправильно подключен подключаемый кабель электропитания	▶ Правильно подсоедините съемный кабель электропитания к электроинструменту.
Сервисный индикатор горит красным.	Электроинструмент поврежден или срок его службы достиг предела, при котором требуется сервисное обслуживание	▶ Сдавайте электроинструмент в ремонт только в сервисный центр Hilti .
Сервисный индикатор мигает красным.	Временная ошибка	▶ Подождите 10 с, пока не прекратится мигание.
		▶ Если мигание не прекратится через 10 с, извлеките вилку кабеля электропитания и подождите 2 мин.
Индикатор готовности к работе мигает зеленым.	Сработала защита от перегрева.	▶ Если мигание не прекратится, доставьте электроинструмент в сервисный центр Hilti .
		▶ Подключите электроинструмент к другой сетевой розетке. Проверьте электросеть.
Индикатор готовности к работе мигает зеленым.	Сработала защита от перегрева.	▶ Дайте инструменту остыть.
		▶ Очистите вентиляционные прорези. Работа на холостом ходу допускается.



Неисправность	Возможная причина	Решение
Нет удара.	Электроинструмент слишком холодный	<ul style="list-style-type: none"> ▶ Установите отбойный молоток на основание и дайте ему поработать в холостом режиме. При необходимости повторяйте процедуру, пока не заработает ударный механизм.
Слишком низкая частота ударов отбойного молотка	Холостой удар (зубило не совершает удар по твердому базовому материалу)	<ul style="list-style-type: none"> ▶ Отпустите выключатель и снова включите электроинструмент или: ▶ при нажатом выключателе прижмите рукоятку до упора.
Отбойный молоток не работает или выключается в процессе работы.	Удлинительный кабель слишком длинный и/или имеет недостаточное сечение	<ul style="list-style-type: none"> ▶ Используйте удлинительный кабель допустимой длины и/или с достаточным сечением.

10 Утилизация

Большинство материалов, из которых изготовлены электроинструменты **Hilti**, подлежат вторичной переработке. Перед утилизацией следует тщательно рассортировать материалы (для удобства их последующей переработки). Во многих странах фирма **Hilti** уже организовала прием старых (электро) инструментов (изделий) для утилизации. Дополнительную информацию по этому вопросу можно получить в отделе по обслуживанию клиентов или у консультантов по продажам фирмы **Hilti**.



- ▶ Не выбрасывайте электрические инструменты, электронные устройства/приборы и аккумуляторы вместе с обычным мусором!

11 RoHS (Директива об ограничении применения опасных веществ)

По этой ссылке доступна таблица опасных веществ: qr.hilti.com/r11668382.

Ссылку в виде QR-кода на таблицу опасных веществ согласно директиве RoHS см. в конце этого документа.

12 Гарантия производителя

- ▶ С вопросами относительно гарантийных условий обращайтесь в ближайшее представительство **Hilti**.

Оригінальна інструкція з експлуатації

1 Інформація про документацію

1.1 Інформація про цей документ

- Перш ніж розпочинати роботу з інструментом, прочитайте цей документ. Це є передумовою безпечної роботи та відсутності несправностей під час застосування інструмента.
- Дотримуйтеся попереджувальних вказівок та вказівок з техніки безпеки, наведених у цьому документі та на корпусі інструмента.
- Завжди зберігайте інструкцію з експлуатації поблизу інструмента та передавайте інструмент іншим особам лише разом з інструкцією.

1.2 Пояснення символів

1.2.1 Попереджувальні вказівки

Попереджувальні вказівки інформують користувача про фактори небезпеки, пов'язані із застосуванням інструмента. Використовуються такі сигнальні слова:



НЕБЕЗПЕКА

НЕБЕЗПЕКА !

- ▶ Указує на безпосередню небезпеку, що може призвести до отримання тяжких тілесних ушкоджень або навіть до смерті.

ПОПЕРЕДЖЕННЯ

ПОПЕРЕДЖЕННЯ !

- ▶ Указує на потенційно небезпечну ситуацію, яка може призвести до отримання тяжких тілесних ушкоджень або навіть смерті.

ОБЕРЕЖНО

ОБЕРЕЖНО !

- ▶ Указує на потенційно небезпечну ситуацію, яка може призвести до отримання тілесних ушкоджень або до матеріальних збитків.

1.2.2 Символи у документі

У цьому документі використовуються такі символи:

	Перед використанням прочитайте інструкцію з експлуатації
	Указівки щодо експлуатації та інша корисна інформація
	Поводження з матеріалами, придатними для вторинної переробки
	Не викидайте електроінструменти і акумуляторні батареї у баки для побутового сміття

1.2.3 Символи на ілюстраціях

На ілюстраціях використовуються такі символи:

	Цифрами позначаються відповідні ілюстрації, наведені на початку цієї інструкції
	Нумерація відображає послідовність робочих кроків на ілюстраціях та може відрізнитися від нумерації у тексті
	Номера позицій, наведені на оглядовій ілюстрації , відповідають номерам у легенді, що представлена у розділі « Огляд продукту »
	Цей символ позначає аспекти, на які слід звернути особливу увагу під час застосування інструмента.

1.3 Символи на інструменті

1.3.1 Символи на інструменті

На інструменті можуть бути наведені такі символи:

	Клас захисту II (подвійна ізоляція)
	Транспортування інструмента за допомогою підйомного крана заборонено
	Бездротова передача даних

1.4 Інформація про інструмент

HILTI Інструменти призначені для професійного використання, а тому їхню експлуатацію, технічне обслуговування та ремонт слід доручати лише авторизованому персоналу зі спеціальною підготовкою. Цей персонал повинен бути спеціально проінструктований про можливі ризики. Інструмент та допоміжне приладдя можуть стати джерелом небезпеки у разі їхнього неправильного застосування некваліфікованим персоналом або у разі використання не за призначенням.



Тип та серійний номер зазначені на заводській таблиці.

- ▶ Перепишіть серійний номер у наведену нижче таблицю. При оформленні запитів до нашого представництва та до сервісної служби вкажіть інформацію про інструмент.

Інформація про інструмент

Відбійний молоток	TE 3000-AVR
Версія	03
Серійний номер	

1.5 Сертифікат відповідності

Зі всією належною відповідальністю заявляємо, що описаний у цьому документі інструмент відповідає діючим директивам і стандартам. Копія сертифіката відповідності наведена у кінці цього документа.

Технічна документація зазначена нижче:

Hilti Entwicklungsgesellschaft mbH | Zulassung Geräte | Hiltistraße 6 | 86916 Kaufering, DE

2 Безпека

2.1 Загальні вказівки з техніки безпеки при роботі з електроінструментами

⚠ ПОПЕРЕДЖЕННЯ! Уважно прочитайте усі вказівки та інструкції з техніки безпеки, ознайомтеся з малюнками та технічними даними цього електроінструмента. Щонайменше недотримання наведених нижче вказівок може призвести до ураження електричним струмом, займання та/або отримання тяжких травм.

Збережіть всі інструкції та вказівки з техніки безпеки – вони можуть знадобитися Вам у майбутньому.

Термін «електроінструмент», який використовується у вказівках з техніки безпеки, позначає як електроінструменти, що працюють від електричної мережі (із кабелем живлення), так і електроінструменти, що працюють від акумуляторної батареї (без кабелю живлення).

Безпека на робочому місці

- ▶ **Дбайте про чистоту та достатнє освітлення робочого місця.** Безлад на робочому місці та недостатнє освітлення можуть стати причиною нещасних випадків.
- ▶ **Не працюйте з електроінструментом у вибухонебезпечному середовищі, що містить легкозаймисті рідини, газу або пил.** Під час роботи електроінструментів утворюються іскри, від яких можуть зайнятися легкозаймисті випари або пил.
- ▶ **Подбайте про те, щоб під час використання електроінструмента поблизу не було дітей та сторонніх осіб.** Щонайменше відволікання може призвести до втрати контролю над інструментом.

Електрична безпека

- ▶ **Штепсельна вилка електроінструмента повинна підходити до розетки живлення. Забороняється вносити зміни до конструкції штепсельної вилки. Не дозволяється застосовувати перехідні штепсельні вилки в електроінструментах із захисним заземленням.** У разі використання оригінальних штепсельних вилок і відповідних розеток знижується ризик ураження електричним струмом.
- ▶ **Під час роботи намагайтеся не торкатися заземлених поверхонь, наприклад труб, радіаторів опалення, печей та холодильників.** Якщо Ваше тіло перебуває в контакт з системою заземлення, існує підвищений ризик ураження електричним струмом.
- ▶ **Захищайте електроінструменти від дощу та вологи.** У разі проникнення води в електроінструмент підвищується ризик ураження електричним струмом.
- ▶ **Використовуйте з'єднувальний кабель тільки за призначенням, не переносьте за нього електроінструмент, не користуйтеся ним для підвішування інструмента та не тримайтеся за нього, дістаючи штепсельну вилку з розетки.** Оберігайте з'єднувальний кабель від впливу високих температур, від дії мастил та контакту з гострими кромками або рухомими частинами інструмента. Пошкоджені або заплутані з'єднувальні кабелі підвищують ризик ураження електричним струмом.
- ▶ **Працюючи з електроінструментом під відкритим небом, використовуйте лише подовжувальний кабель, придатний для зовнішнього застосування.** Використання подовжувального кабелю, призначеного для зовнішнього застосування, зменшує ризик ураження електричним струмом.
- ▶ **Якщо неможливо уникнути експлуатації електроінструмента за умов підвищеної вологості, використовуйте автомат захисту від струму витoku.** Використання автомата захисту від струму витoku зменшує ризик ураження електричним струмом.



Безпека персоналу

- ▶ **Будьте уважними, зосередьтеся на виконуваній операції, до роботи з електроінструментом ставтеся серйозно. Не користуйтеся електроінструментом, якщо Ви втомлені або перебуваєте під дією наркотичних речовин, алкоголю або лікарських засобів.** Під час роботи з електроінструментом не відволікайтеся ні на мить, оскільки це може призвести до отримання серйозних травм.
- ▶ **Використовуйте засоби індивідуального захисту і завжди надягайте захисні окуляри.** Використання засобів індивідуального захисту, наприклад респіратора, захисного взуття на нековзній підшві, захисного шолома або шумозахисних навушників – залежно від різновиду електроінструмента та особливостей його застосування – зменшує ризик травмування.
- ▶ **Уникайте випадкового вмикання електроінструмента.** Переконайтеся в тому, що електроінструмент вимкнений, перш ніж вставляти штепсельну вилку в розетку живлення та/або приєднувати акумулятор, піднімати електроінструмент або переносити його. Якщо під час перенесення електроінструмента тримати палець на вимикачі або приєднувати інструмент до джерела живлення увімкненням, це може призвести до нещасного випадку.
- ▶ **Перш ніж вмикати електроінструмент, від'єднайте від нього все налагоджувальне приладдя або гайкові ключі.** Приладдя або ключ, що знаходяться в обертовому вузлі інструмента, можуть стати причиною отримання травм.
- ▶ **Уникайте виконання роботи в незручній позі.** Під час виконання робіт ставайте в стійку позу і намагайтеся повсякчас утримувати рівновагу. Це дозволить Вам більш упевнено контролювати електроінструмент у разі виникнення несподіваних обставин.
- ▶ **Надягайте відповідний робочий одяг. Не надягайте для роботи занадто просторий одяг та прикраси.** Слідуйте за тим, щоб волосся, одяг та робочі рукавиці знаходилися подальше від обертових частин інструмента. Просторий одяг, прикраси або довге волосся можуть бути захоплені рухомими частинами інструмента.
- ▶ **Якщо передбачена можливість установа системи пиловидалення та пилозбірників, обов'язково переконайтеся в тому, що вони правильно приєднані й використовуються належним чином.** Застосування системи видалення пилу дозволяє зменшити негативний вплив пилу на персонал.
- ▶ **Не можна нехтувати правилами безпеки під час роботи з електроінструментами навіть у тому випадку, коди Ви добре знайомі з тим чи іншим електроінструментом.** Якщо користуватися інструментом необережно, лише малої частки секунди може бути достатньо для отримання тяжких травм.

Використання електроінструмента та належний догляд за ним

- ▶ **Не допускайте перенавантаження інструмента.** Завжди використовуйте електроінструмент, призначений для виконання відповідної роботи. При використанні належного електроінструмента забезпечуються більш висока якість та безпека виконання робіт у вказаному діапазоні продуктивності.
- ▶ **Не використовуйте електроінструмент із пошкодженим вимикачем.** Електроінструмент, який неможливо вмикати або вимикати, є небезпечним і підлягає ремонту.
- ▶ **Перш ніж розпочинати налаштування інструмента, виконувати заміну приладдя або робити перерву в роботі, не забудьте виїняти штепсельну вилку з розетки та/або виїняти з інструмента змінну акумуляторну батарею.** Такий запобіжний захід допоможе уникнути випадкового вмикання електроінструмента.
- ▶ **Електроінструменти, що не використовуються, зберігайте в недоступному для дітей місці.** Не дозволяйте користуватися інструментом особам, які не ознайомлені з ним або не прочитали ці вказівки. У руках недосвідчених людей електроінструменти являють собою серйозну небезпеку.
- ▶ **Електроінструменти та їх приладдя потребують дбайливого догляду.** Ретельно перевіряйте, чи бездоганно працюють та чи не заклинюють рухомі частини, чи не зламалися або не зазнали інших пошкоджень деталі, від яких залежить справна робота електроінструмента. Перед початком роботи з інструментом пошкоджені деталі слід відремонтувати. Багатьох нещасних випадків можна уникнути за умови належного технічного обслуговування електроінструментів.
- ▶ **Слідуйте за тим, щоб ріжучі інструменти завжди залишалися чистими та належним чином заточеними.** Дбайливо доглянутий ріжучий інструмент із гострими різальними кромками не так часто заклинюється, і з ним легше працювати.
- ▶ **Під час експлуатації електроінструмента, приладдя до нього, робочих інструментів тощо тримайтеся наведених у цьому документі вказівок.** При цьому завжди враховуйте умови в місці виконання робіт та дії, яких вимагає поставлене завдання. Використання електроінструментів не за призначенням може призвести до виникнення небезпечних ситуацій.



- ▶ Слідкуйте за тим, щоб поверхні рукояток були чистими та сухими, та не допускайте їхнього забруднення мастилом. Якщо поверхні рукояток слизькі, це унеможливило впевнене контролювання електроінструмента у непередбачених ситуаціях.

Сервісне обслуговування

- ▶ Доручайте ремонт електроінструмента лише кваліфікованому персоналу зі спеціальною підготовкою за умови використання тільки оригінальних запасних частин. Це забезпечить функціональність електроінструмента.

2.2 Вказівки з техніки безпеки стосовно роботи з перфоратором

Указівки з техніки безпеки для виконання усіх типів робіт

- ▶ Використовуйте захисні навушники. Тривалий вплив шуму може призвести до втрати слуху.
- ▶ Використовуйте додаткові рукоятки, що входять до комплекту постачання інструмента. Адже втрата контролю над інструментом може стати причиною травмування.
- ▶ Якщо під час виконання робіт змінний робочий інструмент може натрапити на приховану електропроводку або кабель живлення, утримуйте інструмент за ізольовані поверхні рукояток. У разі контакту з електричним дротом, який знаходиться під напругою, металеві деталі інструмента також потраплять під напругу, а це може призвести до ураження електричним струмом.

2.3 Додаткові вказівки з техніки безпеки

Безпека персоналу

- ▶ Користуйтеся лише повністю справним інструментом.
- ▶ Вносити будь-які зміни до конструкції інструмента заборонено.
- ▶ Під час наскрізної обробки укріпіть відповідну ділянку поверхні з протилежного боку. Оскільки можуть розлітатися у різні боки та/або вниз і травмувати інших людей.
- ▶ Переконайтеся в тому, що бокова рукоятка правильно змонтована і належним чином закріплена. Завжди міцно тримайте інструмент обома руками за передбачені для цього рукоятки. Слідкуйте за тим, щоб рукоятки були чистими та сухими, та не допускайте їхнього забруднення мастилом.
- ▶ Використовуйте із цим інструментом тільки зубило Hilti, оснащене з'єднувальним кінцем TE-H.
- ▶ Під час заміни зубила розташовуйте робочий інструмент тільки горизонтально і ніколи не розташовуйте його вертикально.
- ▶ Уставляйте зубило у затисний патрон до упору, щоб воно зафіксувалося з відчутним клацанням, а жовте попереджувальне кільце вже не було помітним.
- ▶ Перевірте, чи зафіксоване зубило належним чином. **УВАГА!** Якщо зубило закріплене неналежним чином, це може призвести до раптового виникнення небезпечних ситуацій!
- ▶ Запускайте інструмент тільки в робочому положенні; не запускайте інструмент у транспортному положенні!
- ▶ Працюйте з перервами та виконуйте вправи на розминання пальців, щоб покращити кровообіг у них. Під час довготривалих робіт вібрація може пошкодити судини або нерви у пальцях, руках або зап'ясткових суглобах.
- ▶ Інструмент не призначений для використання дітьми, особами, які не мають достатньої фізичної сили, а також особами, які не пройшли належний інструктаж.
- ▶ Зберігайте інструмент у недоступному для дітей місці.
- ▶ Перш ніж розпочинати роботу, з'ясуйте клас небезпеки пилу, що при цьому буде утворюватися. Використовуйте будівельний пилосос затвердженого класу захисту, що відповідає місцевим вимогам щодо захисту від пилу.
- ▶ За можливості використовуйте систему видалення пилу та відповідний пересувний пилосос. Пил, що містить такі матеріали, як фарби із вмістом свинцю, тирсу деяких порід деревини, бетон, цеглу, кварцові гірські породи і мінерали, а також метал, може бути шкідливим для здоров'я.
- ▶ Подбайте про належну вентиляцію робочого місця та користуйтеся респіратором, який підходить до матеріалу, що обробляється. У разі контакту з таким пилом або при його вдиханні у користувача електроінструмента та у людей, що знаходяться поблизу, можуть виникнути алергійні реакції та/або захворювання дихальних шляхів. Деякі різновиди пилу, наприклад деревини дуба і бука, вважаються канцерогенними, особливо у поєднанні з речовинами для обробки деревини (хроматом, засобами для захисту деревини). До обробки матеріалів, що містять азбест, допускаються лише фахівці зі спеціальною підготовкою.

Електрична безпека

- ▶ Перед початком роботи перевіряйте робоче місце на наявність прихованих електричних кабелів, газових та водопровідних труб. Якщо Ви під час роботи випадково пошкодите електричні кабелі,

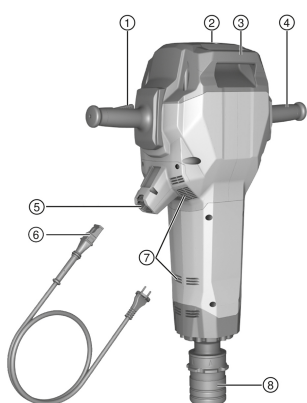


контакт з відкритими металевими деталями інструмента може спричинити ураження електричним струмом.

- ▶ Регулярно перевіряйте з'єднувальний кабель інструмента і в разі його пошкодження звертайтеся до фахівця-електрика для заміни кабелю. Якщо з'єднувальний кабель електроінструмента зазнав пошкодженя, його необхідно замінити на спеціально налагоджений і затверджений з'єднувальний кабель, який можна замовити у службі сервісного обслуговування. Регулярно перевіряйте стан подовжувальних кабелів і замінійте їх у разі пошкодження. Якщо під час роботи було пошкоджено кабель живлення або подовжувальний кабель, до них заборонено навіть торкатися. Вийміть штепсельну вилку кабелю живлення з розетки. Пошкоджені дроти живлення та подовжувальні кабелі становлять серйозну небезпеку ураження електричним струмом.
- ▶ Якщо Вам часто доводиться обробляти електропровідні матеріали, то забруднені ними електроінструменти слід регулярно здавати на перевірку до сервісної служби компанії **Hilti**. Якщо на поверхні інструмента накопичується волога та пил, особливо від струмопровідних матеріалів, це може за несприятливих умов призвести до ураження електричним струмом.
- ▶ У разі перебою в електроживленні вимкніть електроінструмент і вийміть його штепсельну вилку з розетки. Це допоможе уникнути випадкового увімкнення інструмента після відновлення живлення в електромережі.

3 Опис

3.1 Огляд продукту 1



- ① Ручка з вимикачем
- ② Сервісний індикатор
- ③ Ручка для перенесення
- ④ Ручка
- ⑤ Штекерне з'єднання для кабелю живлення
- ⑥ Кабель живлення зі штекерним з'єднанням спеціальної форми
- ⑦ Вентиляційні прорізи
- ⑧ Затискний патрон

3.2 Огляд транспортного візка 2

- ① Ручка
- ② Замок для закріплення вантажу
- ③ Скоба-фіксатор
- ④ Тримач для видаткового матеріалу (зубила)
- ⑤ Ходові коліщата
- ⑥ Стопор коліщата (шайба, шплінт)
- ⑦ Оправка для насаджування інструмента
- ⑧ Ручка для перенесення

3.3 Використання за призначенням

Описаний у цьому документі інструмент являє собою ручний відбивний молоток із шестигранним затискним патроном (28 мм). Він призначений для довбальних робіт на бетоні, цегляній кладці та асфальті. Інструмент також може використовуватися для трамбування та риття.

- ▶ Експлуатація інструмента можлива лише за умови, що напруга і частота мережі живлення відповідають значенням, вказаним на заводській табличці.

3.4 Можливі варіанти неналежного використання

Цей інструмент не призначений для обробки матеріалів, що становлять небезпеку для здоров'я людини. Цей інструмент не призначений для використання у вологому середовищі.



3.5 Сервісний індикатор

Відбійний молоток оснащений сервісним індикатором зі світловим сигналом.

Стан	Значення
Сервісний індикатор горить червоним.	<ul style="list-style-type: none"> Інструмент потребує планового технічного обслуговування. Передайте інструмент до сервісної служби компанії Hilti. Несправність інструмента. Передайте інструмент до сервісної служби компанії Hilti.
Сервісний індикатор мигає червоним.	<ul style="list-style-type: none"> Тимчасова несправність. Зачекайте 10 секунд, доки індикатор не перестане мигати. Якщо через 10 секунд індикатор не перестане мигати, вийміть штепсельну вилку кабелю живлення з розетки та зачекайте 2 хвилини. Якщо мигання індикатора не припиниться, передайте інструмент до сервісної служби компанії Hilti.
Індикатор готовності до роботи мигає зеленим кольором.	<ul style="list-style-type: none"> Спрацював захист від перегрівання. Зачекайте, доки інструмент охолоне.
Індикатор готовності до роботи горить зеленим кольором.	Інструмент готовий до роботи.

Своєчасно передавайте інструмент до сервісної служби компанії **Hilti**. У цьому випадку він завжди буде готовий до роботи.

3.6 Active Vibration Reduction

Інструмент оснащений системою Active Vibration Reduction (AVR), яка значно знижує рівень вібрації.

3.7 Комплект постачання

Відбійний молоток, інструкція з експлуатації, мастило.

Транспортний візок пропонується у якості додаткового приладдя.

Інше приладдя, допущене до експлуатації з Вашим інструментом, Ви можете придбати у **Hilti Store** або на веб-сайті www.hilti.group

4 Технічні дані

Номінальна напруга, номінальний струм, частота та/або номінальна споживана потужність вказані на заводській табличці інструмента, передбаченій для Вашої країни.

Якщо живлення інструмента здійснюється від генератора або трансформатора, то його вихідна потужність має принаймні вдвічі перевищувати номінальну споживану потужність, вказану на заводській табличці інструмента. Робоча напруга трансформатора або генератора повинна постійно перебувати у межах від +5 % до -15 % від номінальної напруги інструмента.

	TE 3000-AVR
Маса згідно з процедурою EPTA 01	27,1 кг
Енергія поодинокого удару згідно з процедурою EPTA	85 Дж
Температура зберігання	-20 °C ... 70 °C
Температура навколишнього середовища під час роботи	-20 °C ... 55 °C

4.1 Дані про шум та значення вібрації, виміряні згідно зі стандартом EN 60745

Наведені у цих рекомендаціях значення звукового тиску та вібрації були виміряні згідно з установленою процедурою вимірювання та можуть використовуватися для порівняння електроінструментів. Вони також придатні для попереднього оцінювання шумового та вібраційного навантаження. Наведені дані



обумовлюють переважні сфери застосування електроінструмента. Однак якщо Ви використовуєте його не за призначенням, застосовуєте нестандартне приладдя або неналежним чином здійснюєте догляд за інструментом, ці дані можуть відрізнятись від вказаних значень. Це може призвести до помітного збільшення шумового та вібраційного навантаження протягом усього робочого часу. Для більш точної оцінки шумового та вібраційного навантаження необхідно враховувати також проміжки часу, протягом яких інструмент залишається вимкненим або працює на холостому ході. Це може значно зменшити вібраційне та шумове навантаження протягом усього робочого часу. Необхідно також вживати додаткових заходів безпеки з метою захисту працівників від дії шуму та/або вібрації, зокрема: проводити своєчасне технічне обслуговування електроінструмента та змінних робочих інструментів до нього, утримувати руки у теплі, належним чином організувати робочий процес.

Дані про шум

Рівень шумової потужності (L_{WA})	106 дБ(A)
Похибка для рівня шумової потужності (K_{WA})	3 дБ(A)
Рівень звукового тиску (L_{pA})	95 дБ(A)
Похибка для рівня звукового тиску (K_{pA})	3 дБ(A)

Дані про вібрацію

Довбання отворів ($a_{h, Chaq}$)	6,9 м/с ²
Похибка (K)	1,5 м/с ²

4.2 Використання подовжувального кабелю

ПОПЕРЕДЖЕННЯ

Небезпека через пошкодження кабелю! Якщо під час роботи було пошкоджено кабель живлення або подовжувальний кабель, торкатися до них заборонено. Вийміть штепсельну вилку кабелю живлення з розетки.

- ▶ Регулярно перевіряйте з'єднувальний кабель інструмента. Якщо Ви виявили його пошкодження зверніться до фахівця-електрика, щоб замінити кабель.
- Використовуйте тільки дозволені для цієї області застосування подовжувальні кабелі з достатнім поперечним перерізом дроту. Інакше може спостерігатися зниження потужності інструмента і перегрівання кабелю.
- Регулярно перевіряйте подовжувальний кабель на наявність пошкоджень.
- Пошкоджені подовжувальні кабелі підлягають заміні.
- Для зовнішніх робіт використовуйте лише дозволені для експлуатації подовжувальні кабелі, що мають відповідне маркування.

Рекомендований мінімальний поперечний переріз та максимальна довжина кабелю наведені наприкінці цього документа у вигляді QR-коду.

5 Підготовка до роботи

ОБЕРЕЖНО

Ризик отримання травм! Випадкове увімкнення інструмента.

- ▶ Вийміть штепсельну вилку кабелю живлення з розетки, перш ніж задавати налаштування інструмента або замінювати приладдя.

Дотримуйтеся попереджувальних вказівок та вказівок з техніки безпеки, наведених у цьому документі та на корпусі інструмента.

5.1 Змінний робочий інструмент




Використовуйте із цим інструментом тільки зубило Hilti, оснащене з'єднувальним кінцем **TE-H**. Інші зубила неможливо закріпити належним чином, на що вказуватиме жовте попереджувальне кільце, яке залишатиметься видимим на фіксаторі змінного робочого інструмента. У такому випадку це означає, що змінний робочий інструмент не призначений для використання з цим відбійним молотком!




- Кожного разу перед використанням інструмента звертайте увагу на жовте попереджувальне кільце: воно не повинне бути помітним на фіксаторі змінного робочого інструмента.

5.2 Установлення змінного робочого інструмента

 Перш ніж розпочинати роботу, завжди перевіряйте робочий інструмент на наявність пошкоджень та нерівномірного зношення; за необхідності замініть робочий інструмент.

1. Нанесіть мастило тонким шаром на хвостовик змінного робочого інструмента.
2. Уставляйте зубило з'єднувальним кінцем **TE-H** у затискний патрон до упору, щоб воно зафіксувалося з відчутним клацанням, а жовте попереджувальне кільце вже не було помітним.
3. Потягніть змінний робочий інструмент до себе, щоб упевнитися в тому, що він надійно зафіксований у патроні.


 Використовуйте лише оригінальне мастило виробництва компанії **Hilti**. Використання невідповідного консистентного мастила може спричинити несправність виробу.

5.3 Приєднання знімного кабелю живлення

ОБЕРЕЖНО

Ризик отримання травм внаслідок ураження струмом витоку, що утворюється через забруднення контактів.

- Рознімний з'єднувач кабелю живлення слід приєднувати до електроінструмента тільки у тому випадку, коли інструмент від'єднаний від мережі живлення та знаходиться у чистому сухому стані.
1. Уставте рознімний з'єднувач спеціальної форми, розташований на кінці кабелю живлення, у відповідне гніздо інструмента до упору, доки він не зафіксується із чітким характерним звуком.
 2. Уставте штепсельну вилку кабелю живлення в розетку.

 Компанія **Hilti** рекомендує завжди залишати знімний кабель живлення приєднаним до інструмента. Знімний кабель живлення слід від'єднувати тільки у разі його поломки або пошкодження.

6 Під час роботи

ПОПЕРЕДЖЕННЯ


Небезпека через пошкодження кабелю! Якщо під час роботи було пошкоджено кабель живлення або подовжувальний кабель, негайно від'єднайте інструмент та кабелі від мережі живлення. Не торкайтеся пошкодженого місця!

- Регулярно перевіряйте усі з'єднувальні кабелі. Замінійте пошкоджені подовжувальні кабелі. Ремонт пошкоджених кабелів живлення доручайте кваліфікованому спеціалісту.

Зазвичай рекомендується використовувати автомат захисту від струму витоку (RCD) з максимальним струмом розмикання у 30 мА.

6.1 Запуск відбійного молотка

1. Стисніть рукоятку таким чином, щоб натиснути розташований на ній вимикач до упору.
 - Відбійний молоток запуститься.
2. Під час роботи утримуйте вимикач натиснутим.
 - Крім того, стискаючи рукоятку, Ви можете регулювати потужність машини.

 Якщо пауза у роботі триває більше 1 хвилини, машина повертається до початкового налаштування. У цьому випадку для повторного запуску необхідно ще раз стиснути рукоятку таким чином, щоб натиснути розташований на ній вимикач до упору.



6.2 Довбання отворів 7

Зубило може бути виставлене в 6 різних позиціях (через кожні 60°). Це надає можливість працювати плоскими та фасонними зубилами в оптимальному для кожного їх різновиду робочому положенні.

1. Уставте штепсельну вилку кабелю живлення в розетку.
2. Розташуйте зубило на відстані приблизно 80–100 мм (3¼"–4") від кромки оброблюваної поверхні.
3. Стисніть рукоятку таким чином, щоб натиснути розташований на ній вимикач до упору.
4. Довбати починайте під кутом 90° до поверхні бетону, направляючи лезо зубила у бік кромки плити. Після цього зменшуйте кут нахилу зубила до 70°–80° і відламуєте матеріал.
 - ▶ Якщо Ви обробляєте залізобетон, завжди направляйте зубило в бік кромки плити, а не в бік арматурних стрижнів.

Робота за низьких температур:

Для функціонування ударного механізму інструмента потрібна певна мінімальна робоча температура. Щоб прогріти інструмент до такої температури, покладіть його на робочу поверхню і дайте йому попрацювати на холостому ходу протягом деякого часу. У разі необхідності повторюйте вищезазначене, аж поки ударний механізм не почне працювати.

6.3 Виймання змінного робочого інструмента 8

ПОПЕРЕДЖЕННЯ

Ризик отримання травм У процесі використання робочий інструмент нагрівається. Крім того, можна поранитися об його гострі кромки.

- ▶ Під час заміни робочого інструмента користуйтеся захисними рукавицями.

1. Вийміть штепсельну вилку кабелю живлення з розетки.
2. Відведіть фіксатор змінного робочого інструмента назад до упору.
3. Вийміть змінний робочий інструмент.
4. **УВАГА!** Не кладіть на легкозаймисті матеріали змінний робочий інструмент, що сильно нагрівся під час використання.

6.4 Від'єднання знімного кабелю живлення від електроінструмента

1. Вийміть штепсельну вилку кабелю живлення з розетки.
2. Натисніть кнопку блокування та вийміть рознімний з'єднувач спеціальної форми, розташований на кінці кабелю живлення.
3. Вийміть кабель живлення з інструмента.

Компанія Hilti рекомендує завжди залишати знімний кабель живлення приєднаним до інструмента. Знімний кабель живлення слід від'єднувати тільки у разі його поломки або пошкодження.

7 Догляд і технічне обслуговування

ПОПЕРЕДЖЕННЯ

Небезпека ураження електричним струмом! Здійснення догляду та технічного обслуговування інструмента, що підключений до мережі живлення, може призвести до тяжких травм та опіків.

- ▶ Завжди діставайте штекер кабелю живлення з розетки, перш ніж розпочинати роботи з догляду та технічного обслуговування!

Догляд

- Обережно видаляйте накопичення бруду.
- Обережно прочищайте вентиляційні прорізи сухою щіткою.
- Протирайте корпус вологою тканиною. Забороняється використовувати миючі засоби, що містять силікон, оскільки вони можуть пошкодити пластмасові деталі.



**ПОПЕРЕДЖЕННЯ**

Небезпека ураження електричним струмом! Проведення неавторизованого ремонту електричних частин інструмента може призвести до отримання тяжких травм та опіків.

- ▶ До ремонту електричної частини інструмента залучайте лише фахівця-електрика.
- Регулярно перевіряйте усі зовнішні частини на наявність пошкоджень, а органи керування інструмента – на предмет справної роботи.
- Якщо Ви виявили пошкодження та/або порушення функціональності інструмента, припиніть його використання. негайно зверніться до сервісної служби компанії **Hilti** для здійснення ремонту.
- Після проведення догляду і технічного обслуговування встановіть усі захисні пристрої та перевірте їхню роботу.



Щоб гарантувати належну роботу інструмента, використовуйте тільки оригінальні запасні частини та видаткові матеріали. Рекомендовані запасні частини, видаткові матеріали та приладдя для Вашого інструмента Ви можете придбати у найближчому магазині **Hilti Store** або на веб-сайті www.hilti.group.

8 Транспортування та зберігання

Транспортування

- ▶ Забороняється транспортувати інструмент із установленим змінним робочим інструментом.
- ▶ Надійно закріплюйте інструмент під час транспортування.
- ▶ Після транспортування інструмента завжди перевіряйте усі його зовнішні частини на наявність пошкоджень, а органи керування – на предмет справної роботи.

Зберігання

- ▶ На час зберігання інструмента завжди виймайте його штепсельну вилку з розетки.
- ▶ Зберігайте інструмент у сухому місці, недоступному для дітей та сторонніх осіб.
- ▶ Якщо інструмент знаходився на зберіганні протягом тривалого часу, завжди перевіряйте усі його зовнішні частини на наявність пошкоджень, а органи керування – на предмет справної роботи.

8.1 Перевезення інструмента за допомогою транспортного візка

**ПОПЕРЕДЖЕННЯ**

Небезпека отримання травм через падіння важкого інструмента Відбійний молоток важкий.

- ▶ За можливості завжди використовуйте транспортний візок. Якщо Ви не можете скористатися транспортним візком, переносити відбійний молоток слід завжди удвох.



Не залишайте транспортний візок на похилій площині.
Подбайте про те, щоб транспортний візок був у стійкому положенні.
Подбайте про безпечні маршрути для транспортування.

1. Установіть відбійний молоток на оправку для насаджування інструмента, яка знаходиться на транспортному візку.
2. На час перевезення закріпіть відбійний молоток за допомогою скоби-фіксатора.
3. Уставте зубило до упору у тримач для видаткового матеріалу.

9 Допомога у разі виникнення несправностей

У разі виникнення несправностей, які не зазначені у цій таблиці або які Ви не можете полагодити самостійно, зверніться до сервісної служби компанії **Hilti**.

9.1 Пошук і усунення несправностей

Несправність	Можлива причина	Рішення
Відбійний молоток не вмикається.	Триває ініціалізація електронного блоку (продовжується до 4 секунд після приєднання штекера)	▶ Вимкніть інструмент, а потім увімкніть його знову.



Несправність	Можлива причина	Рішення
Відбійний молоток не вмикається.	Збій в мережі електроживлення	<ul style="list-style-type: none"> ▶ Приєднайте інший інструмент до мережі живлення та перевірте його функціональність.
	Активована електронна система блокування повторного вмикання інструмента після збою в електромережі живлення	<ul style="list-style-type: none"> ▶ Вимкніть інструмент, а потім увімкніть його знову.
	Генератор знаходиться у режимі сну	<ul style="list-style-type: none"> ▶ Збільште навантаження на генератор, підключивши до нього ще один пристрій (наприклад, освітлювальну лампу для будівельного майданчика). Вимкніть інструмент, а потім увімкніть його знову.
	Знімний кабель живлення підключений неналежним чином	<ul style="list-style-type: none"> ▶ Належним чином підключіть до електроінструмента знімний кабель живлення.
Сервісний індикатор горить червоним.	Інструмент пошкоджений або потребує планового технічного обслуговування	<ul style="list-style-type: none"> ▶ Ремонт інструмента повинен здійснюватися тільки у сервісній службі компанії Hilti.
Сервісний індикатор мигає червоним.	Тимчасова несправність	<ul style="list-style-type: none"> ▶ Зачекайте 10 секунд, доки індикатор не перестане мигати. ▶ Якщо через 10 секунд індикатор не перестане мигати, вийміть штепсельну вилку кабелю живлення з розетки та зачекайте 2 хвилини. ▶ Якщо мигання індикатора не припиниться, передайте інструмент до сервісної служби компанії Hilti
	Занадто висока напруга джерела електроживлення	<ul style="list-style-type: none"> ▶ Скористайтеся іншою розеткою. Перевірте стан мережі живлення.
Індикатор готовності до роботи мигає зеленим кольором.	Спрацював захист від перегрівання	<ul style="list-style-type: none"> ▶ Зачекайте, доки інструмент охолоне. ▶ Прочистіть вентиляційні прорізи. Робота на холостому ходу ще можлива.
Відсутній удар.	Інструмент занадто холодний	<ul style="list-style-type: none"> ▶ Установіть відбійний молоток на робочу поверхню та дайте йому попрацювати на холостому ходу. За необхідності повторіть операцію, доки ударний механізм не почне працювати.
Відбійний молоток виконує удари із суттєво зниженою частотою.	Холості удари (зубило не виконує удари на твердому матеріалі)	<ul style="list-style-type: none"> ▶ Відпустіть вимикач і знову запустіть інструмент або: ▶ Утримуючи вимикач, стисніть рукоятку до упору.
Відбійний молоток не вдається увімкнути, або він вимикається під час роботи.	Подовжувальний кабель занадто довгий та/або має занадто малий поперечний переріз	<ul style="list-style-type: none"> ▶ Використовуйте подовжувальний кабель належної довжини та/або з достатнім поперечним перерізом.



10 Утилізація

Більшість матеріалів, з яких виготовлено інструменти компанії **Hilti**, придатні для вторинної переробки. Передумовою для їхньої вторинної переробки є належне сортування відходів за типом матеріалу. У багатьох країнах світу компанія **Hilti** приймає старі інструменти для їхньої утилізації. Щоб отримати додаткову інформацію з цього питання, звертайтеся до сервісної служби компанії **Hilti** або до свого торгового консультанта.



- ▶ Не викидайте електроінструменти, електронні пристрої та акумуляторні батареї у баки для побутового сміття!

11 RoHS (директива КНП про обмеження використання небезпечних речовин)

Щоб переглянути таблицю з інформацією про небезпечні речовини, будь ласка, перейдіть за таким посиланням: qr.hilti.com/r11668382.

Посилання на таблицю з інформацією про речовини, включені до директиви RoHS, наведено наприкінці цього документа у вигляді QR-коду.

12 Гарантійні зобов'язання виробника

- ▶ Із питань гарантії, будь ласка, звертайтеся до Вашого місцевого партнера компанії **Hilti**.

Түпнұсқа пайдалану бойынша нұсқаулық

1 Құжаттама бойынша деректер

1.1 Бұл құжаттама туралы



Импорттауыш және өндірушінің өкілетті ұйымы

- (RU) Ресей Федерациясы
"Хилти Дистрибьюшн ЛТД" АҚ, 141402, Мәскеу облысы, Химки қ., Ленинградская көш., ғим. 25
- (BY) Беларусь Республикасы
222750, Минск облысы, Дзержинский ауданы, Р-1, 18-ші км, 2 (Слободка ауылының жанында), 1-34 бөлімі
- (KZ) Қазақстан Республикасы
Қазақстан Республикасы, индекс 050011, Алматы қ., Пугачев көш., 4-үй
- (KG) Қырғыз Республикасы
"Т AND Т" ЖШҚ, 720021, Қырғызстан, Бішкек қ., Ибраимов көш., 29 А үйі
- (AM) Армения Республикасы
Эйч-Кон ЖШҚ, Армения Республикасы, Ереван қ., Бабаян көш., 10/1 үйі

Өндірілген елі: жабдықтағы белгілеу тақтайшасын қараңыз.

Өндірілген күні: жабдықтағы белгілеу тақтайшасын қараңыз.

Тісті сертификатты мына мекенжай бойынша табуға болады: www.hilti.ru

Сақтау, тасымалдау және пайдалану шарттарына пайдалану бойынша нұсқаулықта белгіленгеннен басқа арнайы талаптар қойылмайды.

Өнімнің қызмет ету мерзімі 5 жыл.

- Іске қосу алдында осы құжаттаманы оқып шығыңыз. Бұл қауіпсіз жұмыс пен ақаусыз басқару үшін алғышарт болып табылады.
- Осы құжаттамадағы және өнімдегі қауіпсіздік және ескерту нұсқауларын орындаңыз.
- Пайдалану бойынша нұсқаулықты әрдайым өнімде сақтаңыз және оны басқа тұлғаларға тек осы нұсқаулықпен бірге тапсырыңыз.



1.2 Шартты белгілердің анықтамасы

1.2.1 Ескерту

Ескертулер өнімді қолдану барысындағы қауіптер туралы ескертеді. Төмендегі сигналдық сөздер пайдаланылады:

ҚАУІПТІ

ҚАУІПТІ !

- ▶ Ауыр жарақаттарға әкелетін немесе өмірге қауіп төндіретін тікелей қауіпті жағдайдың жалпы белгіленуі.

ЕСКЕРТУ

ЕСКЕРТУ !

- ▶ Ауыр жарақаттарға әкелуі немесе өмірге қауіп төндіруі мүмкін ықтимал қауіпті жағдайдың жалпы белгіленуі.





АБАЙЛАҢЫЗ

АБАЙЛАҢЫЗ !

- ▶ Жарақат алуға немесе мүлктің зақымдалуына әкелуі мүмкін ықтимал қауіпті жағдайдың жалпы белгіленуі.




1.2.2 Құжаттамадағы белгілер

Бұл құжаттамада төмендегі белгілер пайдаланылады:

	Пайдалану алдында пайдалану бойынша нұсқаулықты оқу қажет
	Аспапты пайдалану бойынша нұсқаулар және басқа пайдалы ақпарат
	Қайта пайдалануға болатын материалдармен жұмыс істеу
	Электр аспаптарды және аккумуляторларды тұрмыстық қоқысқа тастамаңыз

1.2.3 Суреттердегі белгілер


Суреттерде төмендегі белгілер қолданылады:

	Бұл сандар осы нұсқаулықтың басындағы әр суретке сәйкес келеді
3	Нөмірлеу суреттегі жұмыс қадамдарының реттілігін білдіреді және мәтіндегі жұмыс қадамдарынан өзгешеленуі мүмкін
	Позиция нөмірлері Шолу суретінде қолданылады және Өнімге шолу мақаласындағы шартты белгілердің нөмірлеріне сілтейді
	Аталмыш белгілер өнімді қолдану барысында айрықша назарыңызды аудартады.

1.3 Өнімдегі белгілер

1.3.1 Өнімдегі белгілер

Өнімде төмендегі белгілер пайдаланылады:

	II қорғау класы (қос изоляция)
	Кранмен тасымалдауға тыйым салынады
	Сымсыз дерек тасымалы



1.4 Өнім туралы ақпарат

өнімдері кәсіби пайдаланушыларға арналған және оларды тек қана өкілетті, білікті қызметкерлер пайдалануы, күтім және техникалық қызмет көрсетуі тиіс. Қызметкерлер қауіпсіздік техникасы бойынша арнайы нұсқау алуы керек. Өнім мен оның қосалқы құралдарын басқа мақсатта қолдану немесе олардың оқытылмаған қызметкерлердің тарапынан пайдаланылуы қауіпті.

Түр сипаттамасы мен сериялық нөмір фирмалық тақтайшада берілген.

- Сериялық нөмірді төмендегі кестеге көшіріп қойыңыз. Өнім туралы мәліметтерді өкілдігімізге немесе қызмет көрсету бөлімімізге сұрау беру арқылы алуға болады.

Өнім туралы мәліметтер

Қашайтын балға	TE 3000-AVR
Буын	03
Сериялық нөмір	

1.5 Сәйкестілік декларациясы

Біз осы нұсқаулықта сипатталған өнімнің қолданыстағы директивалар мен нормативтерге сәйкес келетінін толық жауапкершілікпен жариялаймыз. Сәйкестілік декларациясының суреті осы құжаттаманың соңында орналасқан.

Техникалық құжаттама мына жерде сақталған:

Hilti Entwicklungsgesellschaft mbH | Zulassung Geräte | Hiltistraße 6 | 86916 Kaufering, DE

2 Қауіпсіздік

2.1 Электр құралдары үшін қауіпсіздік техникасы бойынша жалпы нұсқаулар

ЕСКЕРТУ Бұл электр құралына арналған барлық қауіпсіздік нұсқауларын, нұсқауларды, суреттерді және техникалық деректерді оқып шығыңыз. Төменде берілген нұсқауларды орындамау электр тогының соғуына, өртке әкелуі мүмкін және/немесе ауыр жарақаттарды тудыруы мүмкін.

Қауіпсіздік техникасы бойынша барлық нұсқауларды және нұсқауларды келесі пайдаланушы үшін сақтаңыз.

Қауіпсіздік нұсқауларында қолданылатын «электр құралы» термині электр желісінен (желілік кабельмен) және аккумулятордан (желілік кабельсіз) жұмыс істейтін электр құралын білдіреді.

Жұмыс орны

- **Жұмыс орнындағы тазалықты және тәртіпті қадағалаңыз.** Жұмыс орнындағы ретсіздік және нашар жарық сәтсіз жағдайларға әкелуі мүмкін.
- **Жанғыш сұйықтықтар, газдар немесе шаң бар жарылыс қаупі бар аймақта электр құралын қолданбаңыз.** Жұмыс кезінде электр құралдары ұшқындар шығады және ұшқындар шаңды немесе буларды тұтандыруы мүмкін.
- **Балалардың және бөгде адамдардың жұмыс істеп тұрған электр құралына жақындауына рұқсат етпеңіз.** Жұмысқа көңіл бөлмегенде, электр құралын бақылау жоғалуы мүмкін.

Электр қауіпсіздігі

- **Электр құралдың байланыс ашасы электр желісінің розеткасына сай болуы керек. Айырдың конструкциясын өзгертіңіз. Қорғауыш жерге қосуы бар электр құралдарымен бірге өтпелі айырларды қолданбаңыз.** Түпнұсқа айырлар және оларға сай розеткалар электр тогының соғу қаупін азайтады.
- **Жерге қосылған беттерге, мысалы, құбырларға, жылыту құралдарына, пештерге (плиталарға) және тоңазытқыштарға тікелей тиюді болдырмаңыз.** Жерге қосылған заттарға тигенде электр тогының соғуының үлкен қаупі туындайды.
- **Электр құралдарды жаңбырдан немесе ылғал әсерінен сақтаңыз.** Электр құралға су тиюі нәтижесінде электр тогының соғу қаупі артады.
- **Байланыс сымын басқа мақсатта қолданбаңыз, мысалы, электр құралды тасымалдау, оны іліп қою немесе электр желісінің розеткасынан айырды шығару үшін.** Байланыс сымын жылу, май, өткір жиектер немесе жылжымалы бөліктерден алшақ ұстаңыз. Байланыс сымының зақымдалуы немесе қабаттасуы нәтижесінде электр тогының соғу қаупі артады.
- **Егер жұмыстар ашық ауада орындалса, тек бөлмелерден тыс қолдануға рұқсат етілген ұзартқыш сымдарды пайдаланыңыз.** Бөлмелерден тыс қолдануға жарамды ұзартқыш сымды пайдалану электр тогының соғу қаупін азайтады.



- ▶ Егер электр құралмен ылғалдылық жағдайларында жұмыс істеуді болдырмау мүмкін емес болса, шығып кететін токтан қорғау автоматын қолданыңыз. Шығып кететін токтан қорғау автоматын қолдану электр тогының соғу қаупін азайтады.

Адамдардың қауіпсіздігі

- ▶ **Ұқыпты болыңыз, әрекеттеріңізге көңіл бөліңіз және электр құралымен жұмыс істеуге дұрыс қараңыз.** Шаршаған кезде немесе есірткі, алкоголь не дәрі қабылдаған соң электр құралын қолданбаңыз. Электр құралын қолданған кездегі зейінсіздік ауыр жарақаттарға апарып соғуы мүмкін.
- ▶ **Жеке қорғану құралдарын пайдаланыңыз және әрқашан міндетті түрде қорғауыш көзілдірті киіңіз.** Электр құралының түріне және пайдалану жағдайларына байланысты жеке қорғану құралдарын, мысалы, шаңнан қорғайтын респираторды, сырғымайтын аяқ киімді, қорғауыш шлемді, естуді қорғау құралдарын қолдану жарақаттану қаупін азайтады.
- ▶ **Электр құралының кездейсоқ қосылуын болдырмаңыз.** Электр қуатына қосу және/немесе аккумуляторды қою, көтеру немесе тасымалдау алдында электр құралы өшірілгеніне көз жеткізіңіз. Электр құралын тасымалдағанда саусақтар сөндіргіште болатын немесе қосылған электр құралы желіге қосылатын жағдайлар сәтсіз жағдайларға әкелуі мүмкін.
- ▶ **Электр құралын қосу алдында реттеуші құрылғыларды және гайка кілтін алыңыз.** Электр құралының айналатын бөлігіндегі аспап немесе кілт жарақаттарға әкелуі мүмкін.
- ▶ **Жұмыс кезінде ыңғайсыз қалыптарға тұрмауға тырысыңыз.** Үнемі тұрақты күйді және тепе-теңдікті сақтаңыз. Бұл күтпеген жағдайларда электр құралын жақсырақ басқаруға мүмкіндік береді.
- ▶ **Арнайы киімді киіңіз. Өте бос киімді немесе әшекейлерді кимеңіз.** Шашты, киімді және қолғапты электр құралының айналатын түйіндерінен сақтаңыз. Бос киім, әшекейлер және ұзын шаш оларға ілінуі мүмкін.
- ▶ **Егер шанды жинау және кетіруге арналған құрылғыларды қосу қарастырылған болса, олар қосылғанына және мақсаты бойынша қолданылып жатқанына көз жеткізіңіз.** Шанды кетіру модулін пайдалану шаңның зиянды әсерін азайтады.
- ▶ **Өз мойныңызға қате қауіпсіздік сезімін алмаңыз және электр құралына арналған қауіпсіздік ережелерін бұзбаңыз, тіпті электр құралын жиі қолданатын тәжірибелі пайдаланушы болсаңыз.** Мұқиятсыз қолдану бірнеше секундта ауыр жарақаттануға апарып соғуы мүмкін.

Электр құралын қолдану және оған қызмет көрсету

- ▶ **Аспапқа шамадан тыс жүктеме түсуін болдырмаңыз.** Нақ осы жұмысқа арналған электр құралын қолданыңыз. Бұл ережені сақтау көрсетілген қуат диапазонында жоғарырақ жұмыс сапасын және қауіпсіздігін қамтамасыз етеді.
- ▶ **Сөндіргіші бұзылған электр құралын қолданбаңыз.** Қосу немесе өшіру қиын электр құралы қауіпті және оны жөндеу керек.
- ▶ **Электр құралын реттеуге, саймандарды ауыстыруға кірісу алдында немесе жұмыстағы үзіліс алдында розеткадан ашаны және/немесе электр құралынан алмалы-салмалы аккумуляторды шығарыңыз.** Бұл сақтық шарасы электр құралының кездейсоқ қосылуын болдырмайды.
- ▶ **Қолданылмайтын электр құралдарын балалар жетпейтін жерде сақтаңыз.** Аспаптан таныс емес немесе осы нұсқауларды оқып шықпаған адамдарға аспапты пайдалануға рұқсат бермеңіз. Электр құралдары тәжірибесі жоқ пайдаланушылардың қолында қауіпті болады.
- ▶ **Электр құралдары мен керек-жарақтарға ұқыпты қараңыз.** Айналымды бөліктердің мүлтіксіз қызмет ететінін, олардың жүрісінің жеңілдігін, барлық бөліктердің тұтастығын және электр құралының жұмысына теріс әсер етуі мүмкін зақымдардың жоқтығын тексеріңіз. Аспаптың зақымдалған бөліктерін оны қолдану алдында жөндеуге өткізіңіз. Электр құралына техникалық қызмет көрсету ережелерін сақтамау кеп сәтсіз жағдайлардың себебі болып табылады.
- ▶ **Кескіш аспаптардың үшкір және таза болуын қадағалау керек.** Жұмыс күйінде сақталатын кескіш аспаптардың сыналануы сиректеу болады, оларды басқару жеңілдеу.
- ▶ **Электр құралын, саймандарды, көмекші құрылғыларды және т.б. нұсқауларға сай пайдаланыңыз.** Бұл кезде жұмыс жағдайларын және орындалатын жұмыстың сипатын ескеріңіз. Электр құралдарын басқа мақсаттарда қолдану қауіпті жағдайларға әкелуі мүмкін.
- ▶ **Тұтқыштар мен тұтқыш беттерін таза, құрғақ, май іздеріңізсіз ұстаңыз.** Сырғанақ тұтқыштар мен олардың беттері белгілі бір жағдайларда электр құралының қауіпсіз қолданылуы мен басқарылуына жол бермейді.

Қызмет көрсету

- ▶ **Электр құралын жөндеуді тек түпнұсқа қосалқы бөлшектерді қолданатын білікті қызметкерлерге сеніп тапсырыңыз.** Бұл электр құралын қауіпсіз күйде сақтауды қамтамасыз етеді.



2.2 Перфораторлармен жұмыс істеу кезіндегі қауіпсіздік техникасы бойынша нұсқаулар

Барлық жұмыстарға арналған қауіпсіздік техникасы бойынша нұсқаулар

- ▶ **Қорғауыш құлаққапты киіңіз.** Шу әсерінің нәтижесінде есту қабілеті жоғалуы мүмкін.
- ▶ **Аспап жинағына кіретін қосымша тұтқыштарды қолданыңыз.** Аспапты басқаруды жоғалту жарақаттарға әкелуі мүмкін.
- ▶ **Аспаптың жасырын электр сымдарын немесе желілік кабельді зақымдау қаупі болғанда аспапты оқшауланған беттерінен ұстаңыз.** Электр сымдарына тигенде аспаптың қорғалмаған металл бөліктері кернеу астында болады. Бұл электр тогының соғуына әкелуі мүмкін.

2.3 Қауіпсіздік бойынша қосымша нұсқаулар

Адамдардың қауіпсіздігі

- ▶ Өнімді тек техникалық мінсіз күйінде қолданыңыз.
- ▶ Өнімде ешқандай манипуляциялар не өзгерістер орындамаңыз.
- ▶ Тесіп өтетін бұрғылау кезінде қауіпті аймақты қабырғаның қарама-қарсы жағынан қоршаңыз. Сыртқа шығатын және/немесе төмен түсетін сынықтар адамдарға жарақат тигізуі мүмкін.
- ▶ Бүйірлік тұтқыш дұрыс орнатылғанын және берік бекітілгенін тексеріңіз. Өнімді әрқашан екі қолмен тұтқыштарынан берік ұстаңыз. Майланған тұтқыштарды дереу тазалаңыз, олар құрғақ және таза болуы керек.
- ▶ Аталмыш өнім үшін тек TE-H жалғағыш ұштығы бар **Hilti** қашауын қолданыңыз.
- ▶ Қашауды құралдың тік күйінде емес, тек көлденең күйінде алмастырыңыз.
- ▶ Қашауды құрал бекіткішіне шерту дыбысымен тірелгенше және сары түсті ескерту сақинасы ары қарай көрінбегенше енгізіңіз.
- ▶ Қашаудың тиісінше бекітілгенін тексеріп шығыңыз. **HAZAP АУДАРЫҢЫЗ:** Бекітілмеген қашау күтілмеген қауіпті жағдайларды тудыруы мүмкін!
- ▶ Бұл өнімді тасымалдау күйінде емес, жұмыс күйінде ғана іске қосыңыз!
- ▶ Саусақтарыңыздың қандандыруын жақсарту үшін үзіліс жасап, жаттығулар жасаңыз. Ұзақ уақыт жұмыс істеген кезде, дірілдердің салдарынан саусақ, қол не буындардың қантамыры не жүйкесіне кері әсер тиюі мүмкін.
- ▶ Өнім балалардың, денесі әлсіреген тұлғалардың немесе тиісті нұсқау алмаған тұлғалардың тарапынан пайдалануға арналмаған.
- ▶ Аспапты балалардан алшақ ұстаңыз.
- ▶ Жұмысты бастау алдында дайындама материалы бойынша пайда болатын шаңның қауіп класын анықтаңыз. Аспаппен жұмыс істеу үшін қорғаныс дәрежесі қолданыстағы шаңнан қорғау нормаларына сай құрылыс шаңсорғышын қолданыңыз.
- ▶ Мүмкіндігінше шаңсорғыш пен арнайы жылжымалы шаң жинағышты қолданыңыз. Құрамында қорғасын бар бояулар, ағаштың кейбір түрлері, бетон/кірпіш қалауы/кварц қамтитын жыныстар және минералдар мен металл сияқты материалдардан пайда болатын шаң денсаулық үшін зиянды болуы мүмкін.
- ▶ Жұмыс орнындағы ауа алмасуды жақсарту үшін әрекет етіңіз және қажетінше тиісті шаңға арналған респираторды тағыңыз. Мұндай шаңның бөлшектерімен дем алу немесе оған тию пайдаланушыларда немесе жанындағы адамдарда аллергиялық реакциялардың және/немесе дем алу жолдары ауруларының пайда болуына әкелуі мүмкін. Кейбір шаң түрлері (мысалы, еменді немесе шамшатты өңдеу кезінде пайда болатын шаң) канцерогенді деп есептеледі, әсіресе ағашты өңдеу үшін қолданылатын қосымша материалдармен (хром қышқылының тұзы, ағашты қорғау заттары) тіркесімде. Құрамында асбест бар материалдарды тек мамандар өңдеуі керек.

Электр қауіпсіздігі

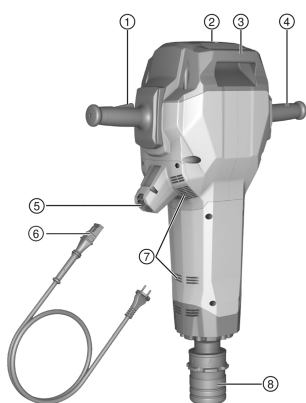
- ▶ Жұмысты бастамастан бұрын, жұмыс аймағындағы электрлік сымдар, газ бен су құбырлары жабық екендігіне көз жеткізіңіз. Ток сымна байқамастан зақым келтірген жағдайда, аспаптағы сыртта орналасқан металл бөлшектер ток соғу қаупін тудыруы мүмкін.
- ▶ Бұл өнімнің желілік кабелін тұрақты түрде тексеріп тұрыңыз және зақымдалған кабельді ауыстыру үшін тәжірибелі электрші маманды шақырыңыз. Электрлік құралдың байланыс кабелі зақымдалған жағдайда оны арнайы дайындалған және рұқсат етілген кабельге ауыстыру керек. Оған клиенттерге қызмет көрсету бөлімі арқылы тапсырыс беруге болады. Ұзартқыш кабельдерді тұрақты түрде тексеріңіз және зақымдар бар болғанда оларды ауыстырыңыз. Жұмыс кезінде желілік немесе ұзартқыш кабель зақымдалған жағдайда оған тигеу тыйым салынады. Кабель ашасын желілік розеткадан шығарыңыз. Ақаулы электр қуаты кабельдері және ұзартқыш кабельдер электр тогының соғу қаупін тудырады.



- ▶ Ток өткізетін материалдарды жиі өңдеген кезде кір электр құралдарын **Hilti** қызмет көрсету орталығына жүйелі түрде тексертіңіз. Қолайсыз жағдайларда аспап бетінде жиналатын ылғал мен шаң (әсіресе төк өткізгіш материалдардан) электр тогының соғуын тудыруы мүмкін.
- ▶ Электрмен қамтуда кідірістер болғанда, электр құралын өшіріңіз және желілік ашаны суырып шығарыңыз. Бұл электрмен қамту қалпына келгенде өнімнің өздігінен іске қосылуын болдырмайды.

3 Сипаттама

3.1 Өнімге шолу 1



- ① Ажыратқышы бар тұтқа
- ② Қызметтік индикатор
- ③ Тұтқыш
- ④ Тұтқа
- ⑤ Желілік кабельдің штепсельдік жалғағышы
- ⑥ Кодталған штепсельдік жалғағышы бар желілік кабель
- ⑦ Желдету ойықтары
- ⑧ Құрал бекіткіші

3.2 Тасымалдау арбашасына шолу 2

- ① Тұтқыш
- ② Жүк сақтандырғышы
- ③ Тежеуіш тұтқа
- ④ Пайдаланылатын материал ұстағышы (кескіш)
- ⑤ Дөңгелектер
- ⑥ Дөңгелек қорғанысы (диск, шплинт)
- ⑦ Құрылғының қысқыш жақтауы
- ⑧ Тұтқыш

3.3 Мақсатына сай қолдану

Сипатталған өнім 28 мм алты қырлы құрал бекіткіші бар, қолмен басқарылатын қашайтын балға болып табылады. Ол бетон, кірпіш қалау мен асфальт бойынша қашау жұмыстарын өткізуге арналған. Қосымша қолдану түрлеріне тегістеу және қазу жатады.

- ▶ Аспапты тек фирмалық тақтайшада көрсетілгендей электр желісінің кернеуі болғанда пайдалануға мүмкін болады.

3.4 Ықтимал қате қолдану

Аталған өнім денсаулық үшін зиянды материалдарды өңдеуге арналмаған.
Аталған өнім ылғалды ортада жұмыс істеуге арналмаған.

3.5 Қызметтік индикатор

Қашайтын балға жарық сигналы бар қызметтік индикатормен жабдықталған.

Құралдың бөлшектері	Сипаттамасы
Қызметтік индикатор қызыл түспен жанып тұр.	<ul style="list-style-type: none"> • Қызмет көрсету мерзімі шегіне жетті. Өнімді Hilti қызмет көрсету орталығына апарыңыз. • Өнімдегі зақымдар. Өнімді Hilti қызмет көрсету орталығына апарыңыз.



Құралдың бөлшектері	Сипаттамасы
Қызметтік индикатор қызыл түспен жыпылықтайды.	<ul style="list-style-type: none"> Уақытша ақаулық. Жыпылықтау тоқтағанша, 10 секунд күтіңіз. Егер жыпылықтау 10 секундтан кейін тоқтамаса, желілік ашаны суырып алыңыз да, 2 минут күтіңіз. Жыпылықтау тоқтамаса, өнімді Hilti қызмет көрсету орталығына апарыңыз.
Дайындық индикаторы жасыл түспен жыпылықтайды.	<ul style="list-style-type: none"> Қызып кетуден қорғау. Өнімді суытыңыз.
Дайындық индикаторы жасыл түспен жанады.	Өнім жұмысқа дайын.

Өнімді уақытында Hilti қызмет көрсету орталығына апарыңыз. Осылайша оны әрдайым жұмысқа дайын күйінде сақтап тұрасыз.

3.6 Active Vibration Reduction

Өнім дірілді айтарлықтай азайтатын қосымша Active Vibration Reduction (AVR) жүйесімен жабдықталған.

3.7 Жеткізілім жинағы

Қашайтын балға, пайдалану бойынша нұсқаулық, жағармай. Тасымалдау арбашасы қосымша ретінде ұсынылады.

Оған қоса өніміңіз үшін рұқсат етілген жүйелік өнімдерді Hilti Store дүкенінде немесе мына веб-сайттан табуға болады: www.hilti.group

4 Техникалық сипаттамалар

Номиналды кернеу, номиналды ток, жиілік және/немесе номиналды тұтынылатын қуат туралы ақпарат елге тән фирмалық тақтайшада берілген.

Генераторда немесе трансформаторда жұмыс істеген кезде, осы шығыс қуат аспаптың фирмалық тақтайшасында көрсетілген номиналды тұтынылатын қуаттан кем дегенде екі есе жоғары болуы керек. Трансформатор немесе генератордың басқару кернеуі әрдайым аспаптың номиналды тұтынылатын қуатының +5 % және -15 % аралығында болуы керек.

	TE 3000-AVR
ЕРТА 01 процедурасы бойынша салмағы	27,1 кг
ЕРТА процедурасы бойынша жалғыз соққы энергиясы	85 Дж
Сақтау температурасы	-20 °C ... 70 °C
Жұмыс кезіндегі қоршаған орта температурасы	-20 °C ... 55 °C

4.1 EN 60745 стандарты бойынша шуыл туралы ақпарат және діріл мәні

Осы нұсқауларда көрсетілген дыбыс қысымы мен діріл деңгейі стандартты өлшеу әдісімен өлшенген және оны басқа электр құралдарымен салыстыру үшін пайдалануға болады. Сонымен бірге, ол экспозицияны алдын ала бағалау үшін жарайды. Берілген деректер электр құралдың негізгі жұмысын көрсетеді. Алайда, егер электр құралы басқа мақсаттарда, басқа жұмыс аспаптарымен қолданылса немесе оған қанағаттандырмайтын техникалық қызмет көрсетілсе, деректер өзгеше болуы мүмкін. Осының салдарынан аспаптың бүкіл жұмыс істеу кезеңінде экспозиция айтарлықтай артуы мүмкін. Экспозицияны дәл анықтау үшін аспап сөндірілген күйде немесе бос жұмыс істейтін уақыт аралықтарын да ескеру керек. Осының салдарынан аспаптың бүкіл жұмыс істеу кезеңінде экспозиция айтарлықтай азаяуы мүмкін. Пайдаланушыны пайда болатын шуылдан және/немесе дірілден қорғау үшін қосымша сақтық шараларын қолданыңыз, мысалы: электр құралға және алмалы-салмалы аспаптарға техникалық қызмет көрсету, қолдардың жылуын сақтау, жұмыс процестерін дұрыс ұйымдастыру.



Шуыл туралы ақпарат

Дыбыс күшінің деңгейі (L_{WA})	106 дБ(А)
Дыбыс күшінің деңгейі бойынша дәлсіздік (K_{WA})	3 дБ(А)
Дыбыс қысымының деңгейі (L_{pA})	95 дБ(А)
Дыбыс қысымының деңгейі бойынша дәлсіздік (K_{pA})	3 дБ(А)

Діріл туралы ақпарат

Қашау ($a_{h, Cheq}$)	6,9 м/с ²
Дәлсіздік (К)	1,5 м/с ²

4.2 Ұзартқыш кабельді қолдану

ЕСКЕРТУ

Зақымдалған кабельден қауіп бар! Егер жұмыс кезінде желілік немесе ұзартқыш кабель зақымдалса, оған тиюге тыйым салынады. Желілік кабельді розеткадан шығарыңыз.

- ▶ Аспаптың желілік кабелін тұрақты түрде тексеріңіз және зақымдалған кабельді ауыстыру үшін тәжірибелі электрші маманды шақырыңыз.
- Тек жұмыс аймағы үшін рұқсат етілген, көлденең қимасы жеткілікті ұзартқыш кабельдерді қолданыңыз. Өзге жағдайда аспапта қуаттың жоғалуы және кабель қызып кетуі мүмкін.
- Ұзартқыш кабельде зақымдардың бар-жоғын жүйелі түрде тексеріп тұрыңыз.
- Зақымдалған ұзартқыш кабельді ауыстыру керек.
- Ашық ауада жұмыс істегенде тек пайдалануға рұқсат етілген, сәйкес белгілеуі бар ұзартқыш кабельдерді қолданыңыз.

Ұсынылатын минималды көлденең қималар мен максималды кабель ұзындықтары осы құжаттаманың соңында QR коды ретінде қолжетімді.

5 Жұмысқа дайындық

АБАЙЛАҢЫЗ

Жарақат алу қаупі бар! Өнімнің кездейсоқ іске қосылуы.

- ▶ Аспап реттеулерін орындау немесе қосалқы бөлшектерді алмастыру алдында желілік ашаны тартып шығарыңыз.

Осы құжаттамадағы және өнімдегі қауіпсіздік және ескерту нұсқауларын орындаңыз.

5.1 Алмалы-салмалы аспап



Аталмыш өнім үшін тек **ТЕ-Н** жалғағыш ұштығы бар **Hilti** қашауын қолданыңыз.

Басқа қашаулар тиісінше құлыптанбайды және құрал құлпындағы сары түсті ескерту сақинасы көрінетін болады. Ол алмалы-салмалы аспаптың аталмыш қашайтын балға үшін жарамсыз екендігін білдіреді!

- ▶ Әр қолдану алдында құрал құлпындағы сары түсті ескерту сақинасының ары қарай көрінбегеніне көз жеткізіңіз.

5.2 Алмалы-салмалы аспапты енгізу



Әр пайдаланудан бұрын құралда зақымдардың және бірқалыпты болмаған тозудың бар-жоғын тексеріңіз және қажет болған жағдайда ауыстырыңыз.

1. Алмалы-салмалы аспап ұшын аздап майлаңыз.
2. Қашауды **ТЕ-Н** жалғағыш ұштығымен құрал бекіткішіне шөрту дыбысымен тірелгенше және сары түсті ескерту сақинасы ары қарай көрінбегенше енгізіңіз.



3. Қысқыда берік бекітілгеніне көз жеткізу үшін жұмыс аспабын өзіңізге тартыңыз.



Тек Hilti компаниясы ұсынған түпнұсқа жағармай қолданыңыз. Жарамсыз майды пайдалану нәтижесінде өнім зақымдалуы мүмкін.

5.3 Алмалы-салмалы желілік кабельді жалғау

АБАЙПАҢЫЗ

Жарақат алу қаупі контактілер кірленген жағдайда кему тоғы арқылы.

► Ажырайтын электрлік қосқышты тек таза, құрғақ әрі тартылыссыз күйінде электрлік аспапқа жалғаңыз.

1. Кодталған, алмалы-салмалы электрлік штепсельдік жалғағышты аспапқа шерту дыбысымен тірелгенше енгізіңіз.

2. Желілік кабель ашасын розеткаға салыңыз.



Hilti компаниясы алмалы-салмалы желілік кабельді әрдайым құралда қалдыруға кеңес береді. Алмалы-салмалы желілік кабельді тек жарылған / зақымдалған жағдайда суырып алуға болады.

6 Жұмыс істеу

ЕСКЕРТУ

Зақымдалған кабельден қауіп бар! Егер жұмыс барысында желілік немесе ұзартқыш кабельге зақым тисе, аспап пен кабельді дереу желіден ажыратыңыз. Бүлінген жерлерге тиемеңіз!

► Барлық жалғағыш сымдарды жүйелі түрде тексеріп тұрыңыз. Бүлінген ұзартқыш кабельді алмастырыңыз. Зақымдалған желілік сымдарды ресми техник маманға жөндетіңіз.

Әдетте макс. өшіру тоғы 30 мА шамасында болған кезде жылыстау тоғынан қорғау автоматын (RCD) қолдану ұсынылады.

6.1 Қашайтын балғаны іске қосу

1. Тұтқа мен ажыратқышты бірге басыңыз.

► Қашайтын балға іске қосылады.

2. Жұмыс барысында ажыратқышты басып тұрыңыз.

► Оған қоса тұтқаны басу арқылы аспаптың өнімділігін басқаруға болады.



1 минуттан ұзақ кідіріс орын алған жағдайда, аспап бастапқы күйге қайтып оралады. Қайта іске қосу үшін тұтқа мен ажыратқышты қайтадан басу қажет.

6.2 Қашау



Қашауды 6 түрлі позицияға (60° қадамға) орнатуға болады. Осының есебінен жалпақ және қалыпқа түсірілген қашауларды қажетті жұмыс күйіне орнатуға болады.

1. Желілік кабель ашасын розеткаға салыңыз.

2. Қашауды жиектен шамамен 80-100 мм-ге (3 1/8" - 4") орналастырыңыз.

3. Тұтқа мен ажыратқышты басыңыз.

4. Қашау әрекетін бетон бетіне 90° бұрышпен бастап, ұшты жиекке бағыттаңыз. Содан кейін бұрышты 70° және 80° аралығындағы бағытпен жылжытыңыз және материалды сындырып алыңыз.

► Арматуралық болатпен жұмыс істегенде әрқашан қашауды арматуралық болат үстімен емес, материал жиегінің үстімен жүргізіңіз.



Төмен температуралардағы жұмыс:

ең аз жұмыс температурасы болып аспаптың соғатын механизмін іске қосуға жеткілікті температура табылады. Оған қол жеткізу үшін, аспапты аз уақытқа астыңғы бетке қойып, бос жүрісте жұмыс істетіңіз. Қажет болса, соғатын механизм іске қосылғанша әрекетті қайталаңыз.



6.3 Алмалы-салмалы аспапты шығару

ЕСКЕРТУ

Жарақат алу қаупі Құрал қолдану кезінде қызып кетеді және өткір жиектер көрсетуі мүмкін.
 ► Құралды алмастырған кезде қорғауыш қолғаптарды киіңіз.

1. Кабель ашасын желілік розеткадан шығарыңыз.
2. Құрал құлпын тірелгенше артқа тартыңыз.
3. Алмалы-салмалы аспапты шығарыңыз.
4. **НАЗАР АУДАРЫҢЫЗ!** Ыстық құралды жеңіл жанғыш материалдардың үстіне қоймаңыз.

6.4 Алмалы-салмалы желілік кабельді электрлік аспаптан ажырату

1. Кабель ашасын желілік розеткадан шығарыңыз.
2. Тежегіш түймені басып, кодталған, алмалы-салмалы электрлік штепсельдік жалғағышты ажыратыңыз.
3. Желілік кабельді аспаптан тартып шығарыңыз.



Hilti компаниясы алмалы-салмалы желілік кабельді әрдайым құралда қалдыруға кеңес береді. Алмалы-салмалы желілік кабельді тек жарылған / зақымдалған жағдайда суырып алуға болады.

7 Күтім және техникалық қызмет көрсету

ЕСКЕРТУ

Ток соғу қаупі бар! Желілік аша енгізіліп тұрған кезде күтім және техникалық қызмет көрсету ауыр жарақаттарға және өртке апарып соғуы мүмкін.

- Кез келген күтім және техникалық қызмет көрсету жұмысын орындамас бұрын желілік ашаны әрдайым суырып алыңыз!

Аспапты күту

- Қатты жабысқан кірді мұқият кетіріңіз.
- Желдету ойықтарын құрғақ қылшақпен жайлап тазалаңыз.
- Корпусты тек сәл суланған шүберекпен тазалаңыз. Ешқандай силикон қамтитын күтім құралдарын пайдаланбаңыз, өйткені олар пластмасса бөлшектерін зақымдауы мүмкін.

Техникалық қызмет көрсету

ЕСКЕРТУ

Ток соғу қаупі! Электрлік құрамдас бөлшектерді қате жөндеу ауыр жарақаттану мен өртке апарып соғуы мүмкін.

- Аспаптың электр бөлігін жөндеуді тек маман-электрикке тапсырыңыз.
- Барлық көзге көрінетін бөлшектерде зақымдардың бар-жоғын және басқару элементтерінің ақаусыз жұмысын жиі тексеріп тұрыңыз.
- Өнім зақымдалған және/немесе ақаулы болған жағдайда оны пайдаланушы болмаңыз. Бірден **Hilti** қызмет көрсету орталығына жөндетіңіз.
- Күтім және техникалық қызмет көрсету жұмыстарынан кейін барлық қорғауыш құрылғыларды орнатып, жұмысын тексеріңіз.



Қауіпсіз қолдану үшін тек түпнұсқа қосалқы бөлшектер мен жұмсалатын материалдарды қолданыңыз. Біз рұқсат еткен қосалқы бөлшектер, шығын материалдары мен өнімге арналған керек-жарақтар **Hilti Store** дүкенінде немесе келесі веб-сайтта қолжетімді: www.hilti.group.

8 Тасымалдау және сақтау

Тасымалдау

- Аталмыш өнімді енгізілген құралмен бірге тасымалдамаңыз.
- Тасымалдау кезінде өнімнің берік бекітілгеніне көз жеткізіңіз.



- ▶ Әр тасымалдағаннан кейін көзге көрінетін барлық бөліктерде зақымдардың бар-жоғын және басқару элементтерінің ақаусыз жұмысын тексеріп тұрыңыз.

Сақтау

- ▶ Аталмыш өнімді әрдайым желілік ашасын ажыратып сақтаңыз.
- ▶ Аталмыш өнімді құрғақ күйінде және балалар мен рұқсаты жоқ адамдардың қолы жетпейтін жерде сақтаңыз.
- ▶ Ұзақ уақыт сақтағаннан кейін көзге көрінетін барлық бөліктерде зақымдардың бар-жоғын және басқару элементтерінің ақаусыз жұмысын тексеріп шығыңыз.

8.1 Тасымалдау арбашасымен тасымалдау



ЕСКЕРТУ

Үлкен салмақтан жарақат алу қаупі Қашайтын балға ауыр.

- ▶ Мүмкін болса, әрқашан тасымалдау арбашасын қолданыңыз. Егер тасымалдау арбашасы қолжетімді болмаса, қашайтын балғаны тасымалдау үшін әрдайым екінші адамның көмегіне жүгінізіз.



Тасымалдау арбашасын еңіс беттерге қоймаңыз.

Тасымалдау арбашасының тұрақты күйін қамтамасыз етіңіз.

Қауіпсіз тасымалдау жолын қамтамасыз етіңіз.

1. Қашайтын балғаны тасымалдау арбашасындағы құрылғының қысқыш жақтауына қойыңыз.
2. Тасымалдау барысында қашайтын балғаны тежеуіш тұтқамен бекітіңіз.
3. Кескішті пайдаланылатын материал ұстағышына тірелгенше енгізіңіз.

9 Ақаулықтардағы көмек

Бұл кестеде келтірілмеген немесе өзіңіз түзете алмайтын ақаулықтар орын алғанда, **Hilti** қызмет көрсету орталығына хабарласыңыз.

9.1 Ақаулықтарды жою

Ақаулық	Ықтимал себеп	Шешім
Қашайтын балға жұмыс істемей тұр.	Электрониканы баптандыру орындалуда (ашаны жалғағаннан кейін шамамен 4 секундқа дейін).	▶ Аспапты өшіріп қайта қосыңыз.
	Электрмен қамту жоқ	▶ Басқа электр құралын жалғап, жұмысын тексеріңіз.
	Электрондық іске қосу құлпы электр қамтуындағы үзілістен кейін іске қосылады.	▶ Аспапты өшіріп қайта қосыңыз.
	Генератор ұйқы режимінде	▶ Генераторға екінші тұтынушы жүктеңіз (мысалы, құрылыс шамы). Сонан соң аспапты өшіріп қайта қосыңыз.
	Алмалы-салмалы желілік кабель дұрыс жалғанбаған	▶ Алмалы-салмалы желілік кабельді электрлік аспапқа дұрыстап жалғаңыз.
Қызметтік индикатор қызыл түспен жанып тұр.	Аспапта зақымдар бар немесе қызмет көрсету мерзімі шегіне жетті	▶ Өнімді тек Hilti қызмет көрсету орталығында ғана жөндетіңіз.



Ақаулық	Ықтимал себеп	Шешім
Қызметтік индикатор қызыл түспен жыпылықтайды.	Уақытша ақаулық	<ul style="list-style-type: none"> Жыпылықтау тоқтағанша, 10 секунд күтіңіз. Егер жыпылықтау 10 секундтан кейін тоқтамаса, желілік ашаны суырып алыңыз да, 2 минут күтіңіз. Жыпылықтау тоқтамаса, өнімді Hilti қызмет көрсету орталығына апарыңыз.
	Электрлік қуат кернеуі тым жоғары	<ul style="list-style-type: none"> Желілік розетканы ауыстырыңыз. Желіні қайта тексеріңіз.
Дайындық индикаторы жасыл түспен жыпылықтайды.	Қызып кетуден қорғаныс	<ul style="list-style-type: none"> Өнімді суытыңыз. Желдету саңылауын тазалаңыз. Бос жүрісте пайдалану мүмкін емес.
Соққымен бұрғылау орындалмайды.	Аспап тым суық	<ul style="list-style-type: none"> Қашайтын балғаны астыңғы бетке қойып, бос жүріспен жұмыс істетіңіз. Қажет болса, соққы механизмі жұмыс істегенше әрекетті қайталаңыз.
Қашайтын балға қатты азайтылған жиілікпен соғып тұр.	Пайдасыз соққы (қашау қатты бетте соққы жасамайды)	<ul style="list-style-type: none"> Ауыстырып-қосқышты жіберіңіз де, аспапты қайтадан іске қосыңыз немесе: Ауыстырып-қосқыштың басылып тұрған күйінде тұтқаны да толықтай басыңыз.
Қашайтын балға жұмыс істемейді немесе жұмыс кезінде өшіп қалады.	Ұзартқыш кабель тым ұзын және / немесе көлденең қимасы жеткіліксіз	<ul style="list-style-type: none"> Ұзындығы ұйғарынды және/немесе қимасы жеткілікті ұзартқыш кабельді қолданыңыз.

10 Кәдеге жарату

Hilti аспаптары қайта өңдеу үшін жарамды көптеген материалдардың санын қамтиды. Кәдеге жарату алдында материалдарды мұқият сұрыптау керек. Көптеген елдерде **Hilti** компаниясы ескі аспабыңызды қайта өңдеу үшін қайта қабылдайды. **Hilti** қызмет көрсету орталығынан немесе дилеріңізден сұраңыз.



- ▶ Электр құралдарды, электрондық құрылғылар мен аккумуляторларды тұрмыстық қоқыспен бірге тастамаңыз!

11 RoHS (зиянды заттектердің пайдаланылуын шектеу директивасы)

Төмендегі сілтеме бойынша зиянды заттектердің кестесі келтірілген: qr.hilti.com/r11668382.
RoHS кестесінің сілтемесі осы құжаттаманың соңында QR коды ретінде берілген.

12 Өндіруші кепілдігі

- ▶ Кепілдік шарттары туралы сұрақтарыңыз болса, жергілікті **Hilti** серіктесіне хабарласыңыз.



Orijinal kullanım kılavuzu

1 Dokümantasyon verileri

1.1 Bu doküman için

- Çalıştırmadan önce bu dokümanı okuyunuz. Bu, güvenli çalışma ve arızasız kullanım için ön koşuldur.
- Bu dokümanda ve ürün üzerinde bulunan güvenlik ve uyarı bilgilerine dikkat ediniz.
- Kullanım kılavuzunu her zaman ürün üzerinde bulundurunuz ve ürünü sadece bu kılavuz ile birlikte başka kişilere veriniz.

1.2 Resim açıklaması

1.2.1 Uyarı bilgileri

Uyarı bilgileri, ürün ile çalışırken ortaya çıkabilecek tehlikelere karşı uyarır. Aşağıdaki uyarı metinleri kullanılır:

TEHLİKE

TEHLİKE !

- ▶ Ağır vücut yaralanmalarına veya doğrudan ölüme sebep olabilecek tehlikeler için.

İKAZ

İKAZ !

- ▶ Ağır yaralanmalara veya ölüme neden olabilecek tehlikeler için.





DİKKAT

DİKKAT !

- ▶ Vücut yaralanmalarına veya maddi hasarlara yol açabilecek olası tehlikeli durumlar için.


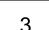


1.2.2 Dokümandaki semboller

Bu dokümanda aşağıdaki semboller kullanılmıştır:

	Kullanmadan önce kullanım kılavuzunu okuyunuz
	Kullanım uyarıları ve diğer gerekli bilgiler
	Geri dönüşümlü malzemeler ile çalışma
	Elektrikli aletleri ve aküleri evdeki çöplere atmayınız

1.2.3 Resimlerdeki semboller


Resimlerde aşağıdaki semboller kullanılmıştır:

	Bu sayılar, kılavuzun başlangıcındaki ilgili resimlere atanmıştır
	Numaralandırma, resimdeki çalışma adımlarının sırasını göstermektedir ve metindeki çalışma adımlarından farklı olabilir
	Pozisyon numaraları Genel bakış resminde kullanılır ve Ürüne genel bakış bölümündeki açıklama numaralarına referans niteliğindedir
	Bu işaret, ürün ile çalışırken dikkatinizi çekmek için koyulmuştur.

1.3 Üründeki semboller

1.3.1 Üründeki semboller

Üründe aşağıdaki semboller kullanılabilir:

	Koruma sınıfı II (çift izolasyonlu)
---	-------------------------------------



	Vinç ile taşımak yasaktır
	Kablosuz veri aktarımı

1.4 Ürün bilgileri

HILTI ürünleri profesyonel kullanıcıların kullanımı için öngörülmüştür ve sadece yetkili personel tarafından kullanılabilir ve bakımı yapılabilir. Bu personel, meydana gelebilecek tehlikeler hakkında özel olarak eğitim görmüş olmalıdır. Aletin ve ilgili yardımcı gereçlerin eğitimsiz personel tarafından usulüne uygun olmayan şekilde kullanılması ve amaçları dışında çalıştırılması sonucu tehlikeli durumlar söz konusu olabilir. Tip tanımı ve seri numarası, tip plakası üzerinde belirtilmiştir.

- Seri numarasını aşağıdaki tabloya aktarınız. Ürün bilgileri acente veya servis merkezini aradığınızda sorulabilir.

Ürün bilgileri

Keski tabancası	TE 3000-AVR
Nesil	03
Seri no.	

1.5 Uygunluk beyanı

Burada tanımlanan ürünün, geçerli yönetmeliklere ve normlara uygun olduğunu kendi sorumluluğumuzda beyan ederiz. Bu dokümantasyonun sonunda uygunluk beyanının bir kopyasını bulabilirsiniz.

Teknik dokümantasyonlar eklidir:

Hilti Entwicklungsgesellschaft mbH | Zulassung Geräte | Hiltistraße 6 | 86916 Kaufering, DE

2 Güvenlik

2.1 Elektrikli el aletleri için genel güvenlik uyarıları

⚠ İKAZ Bu elektrikli el aletine yönelik tüm güvenlik uyarılarını, talimatları, resimli açıklamaları ve teknik verileri dikkatlice okuyunuz. Aşağıdaki talimatlara uyulmaması durumunda elektrik çarpması, yangın ve/veya ağır yaralanmalar söz konusu olabilir.

Tüm güvenlik uyarılarını ve kullanım talimatlarını muhafaza ediniz.

Güvenlik uyarılarında kullanılan "Elektrikli el aleti terimi, şebeke işletimli elektrikli el aletleri (şebeke kablosu ile) veya akü işletimli elektrikli el aletleri (şebeke kablosu olmadan) ile ilgilidir.

İş yeri güvenliği

- **Çalışma alanınızı temiz ve aydınlık tutunuz.** Düzensiz veya aydınlatma olmayan çalışma alanları kazalara yol açabilir.
- **Yanıcı sıvıların, gazların veya tozların bulunduğu patlama tehlikesi olan yerlerde elektrikli el aleti ile çalışmayınız.** Elektrikli el aletleri, toz veya buharı yakabilecek kıvılcım oluşturur.
- **Elektrikli el aletini kullanırken çocukları ve diğer kişileri uzak tutunuz.** Dikkatiniz dağılırsa aletin kontrolünü kaybedebilirsiniz.

Elektrik güvenliği

- **Elektrikli el aletinin bağlantı fişi prize uygun olmalıdır. Fiş hiçbir şekilde değiştirilmemelidir. Adaptör fişini topraklama korumalı elektrikli el aletleri ile birlikte kullanmayınız.** Değiştirilmemiş fişler ve uygun prizler elektrik çarpması riskini azaltır.
- **Borular, radyatörler, fırınlar ve buzdolapları gibi toprağa temas eden üst yüzeylere vücudunuzla temas etmekten kaçınınız.** Vücudunuzun toprakla teması var ise yüksek bir elektrik çarpması riski söz konusudur.
- **Elektrikli el aletini yağmurdan veya ıslaklıktan uzak tutunuz.** Elektrikli el aletine su girmesi, elektrik çarpması riskini artırır.
- **Elektrikli el aletini taşımak, asmak veya fişi prizden çekmek için bağlantı kablosunu kullanım amacı dışında kullanmayınız. Bağlantı kablosunu sıcaktan, yağdan, keskin kenarlardan ve hareketli parçalardan uzak tutunuz.** Hasarlı veya dolanmış bağlantı kabloları elektrik çarpması riskini artırır.
- **Elektrikli bir el aleti ile açık alanda çalışacaksanız, sadece dışarıda kullanımına izin verilen uzatma kabloları kullanınız.** Dış mekanlar için uygun olan uzatma kablolarının kullanılması elektrik çarpması riskini azaltır.



- ▶ **Elektrikli el aleti işletiminin nemli ortamda yapılması kaçınılmaz ise bir kaçak akım koruma şalteri kullanınız.** Bir kaçak akım koruma şalterinin kullanımı elektrik çarpması riskini azaltır.

Kişilerin güvenliği

- ▶ **Dikkatli olunuz, ne yaptığınıza dikkat ediniz ve elektrikli el aleti ile mantıklı bir şekilde çalışınız.** Yorgunsanız veya uyuşturucu, alkol veya ilaç etkisi altında olduğunuzda elektrikli el aleti kullanmayınız. Elektrikli el aletini kullanırken bir anlık dikkatsizlik ciddi yaralanmalara neden olabilir.
- ▶ **Kişisel koruyucu donanım ve her zaman bir koruyucu gözlük takınız.** Elektrikli el aletinin türüne ve kullanımına göre toz maskesi, kaymayan güvenlik ayakkabısı, koruyucu kask veya kulaklık gibi kişisel koruyucu donanımların kullanılması yaralanma riskini azaltır.
- ▶ **İstem dışı çalışmayı önleyiniz. Güç kaynağına ve/veya aküyü bağlamadan, girişini yapmadan veya taşımadan önce elektrikli el aletinin kapalı olduğundan emin olunuz.** Elektrikli el aletini taşırken parmağınız şalterde ise veya alet açık konumda güç kaynağına takılırsa bu durum kazalara yol açabilir.
- ▶ **Elektrikli el aletini devreye almadan önce ayar aletlerini veya vidalama anahtarlarını çıkartınız.** Dönen bir alet parçasında bulunan bir alet veya anahtar yaralanmalara yol açabilir.
- ▶ **Aşırı bir vücut hareketinden sakınınız. Güvenli bir duruş sağlayınız ve her zaman dengeli tutunuz.** Böylece beklenmedik durumlarda elektrikli el aletini daha iyi kontrol edebilirsiniz.
- ▶ **Uygun kıyafetler giyiniz. Bol kıyafetler giymeyiniz veya takı takmayınız. Saçları, kıyafetleri ve eldivenleri hareket eden parçalardan uzak tutunuz.** Bol kıyafetler, takı veya uzun saçlar hareket eden parçalara takılabilir.
- ▶ **Toz emme ve tutma tertibatları monte edilebiliyorsa bunların bağlı olduğundan ve doğru kullanıldığından emin olunuz.** Bu toz emme tertibatının kullanımı tozdan kaynaklanabilecek tehlikeleri azaltabilir.
- ▶ **Kendi güvenliğinizi riske atmayınız ve elektrikli el aletleri kullanımında son derece tecrübeli olsanız bile ilgili güvenlik kurallarını ihlal etmeyiniz.** Dikkatsiz kullanım saniyeler içerisinde ciddi yaralanmalara neden olabilir.

Elektrikli el aletinin kullanımı ve çalıştırılması

- ▶ **Aleti çok fazla zorlamayın. Çalışmanız için uygun olan elektrikli el aletini kullanın.** Uygun elektrikli el aleti ile bildirilen hizmet alanında daha iyi ve güvenli çalışırsınız.
- ▶ **Şalteri bozuk olan elektrikli el aletini kullanmayınız.** Açılıp kapatılmayan bir elektrikli el aleti tehlikelidir ve tamir edilmesi gerekir.
- ▶ **Alet ayarlarını yapmadan, aksesuar parçalarını değiştirmeden veya aleti bir yere koymadan önce fişi prizden ve/veya (çıkarılabilir) aküyü aletten çıkarınız.** Bu önlem, elektrikli el aletinin istem dışı çalışmasını engeller.
- ▶ **Kullanılmayan elektrikli el aletlerini çocukların erişemeyeceği yerde muhafaza edin. Aleti iyi tanımayan veya bu talimatları okumamış kişilere aleti kullandırmayınız.** Elektrikli el aletleri bilgisiz kişiler tarafından kullanılırsa tehlikelidir.
- ▶ **Elektrikli el aletlerinin ve aksesuarlarının bakımını titizlikle yapınız. Hareketli parçaların kusursuz çalıştığı ve sıkışmadığı, parçaların kırılıp kırılmadığı veya hasar görüp görmediği, elektrikli el aleti fonksiyonlarının kısıtlanma durumlarını kontrol ediniz. Hasarlı parçaları aleti kullanmadan önce tamir ettiriniz.** Birçok kazanın nedeni bakımı kötü yapılan elektrikli el aletleridir.
- ▶ **Kesme aletlerini keskin ve temiz tutun.** Özenle bakımı yapılmış keskin bıçak kenarı olan kesme aletleri daha az sıkışır ve kullanımı daha rahattır.
- ▶ **Elektrikli el aletini, aksesuarları, ek aletleri vb. bu talimatlara göre kullanın. Çalışma şartlarını ve yapılacak işi de ayrıca göz önünde bulundurun.** Elektrikli el aletlerinin öngörülen kullanımı dışında kullanılması tehlikeli durumlara yol açabilir.
- ▶ **Tutamağı ve tutamak yüzeylerini daima temiz ve yağ ve gresten arındırılmış durumda tutunuz.** Kaygan tutamaklar ve tutamak yüzeyleri güvenli bir kullanımı ve öngörülemeden durumlarda elektrikli el aletinin kontrolünü engeller.

Servis

- ▶ **Elektrikli el aletinizi sadece kalifiye uzman personele ve sadece orijinal yedek parçalar ile tamir ettiriniz.** Böylece elektrikli el aletinin güvenliğinin korunduğundan emin olunur.

2.2 Kırcı-delici için güvenlik uyarıları

Tüm çalışmalara yönelik güvenlik uyarıları

- ▶ **Kulaklık takınız.** Aşırı sestən dolayı duyma kaybı meydana gelebilir.
- ▶ **Aletle birlikte verilen ek tutamakları kullanınız.** Kontrol kaybı yaralanmalara yol açabilir.
- ▶ **Kullandığınız aletin gizli elektrik hatlarına veya kendi şebeke kablosuna isabet edebileceği çalışmalar yapıyorsanız aleti sadece izolasyonlu tutamaklardan tutunuz.** Elektrik ileten bir hat ile temasta metal parçalar da gerilim altında kalır ve elektrik çarpmasına neden olabilir.



2.3 Ek güvenlik uyarıları

Kişilerin güvenliği

- ▶ Ürünü sadece teknik açıdan sorunsuz durumdayken kullanınız.
- ▶ Ürün üzerinde asla manipülasyon veya değişiklik yapılmamalıdır.
- ▶ Kıрма çalışmaları, çalışılacak yerin karşı tarafında bulunan bölgeyi emniyete alınız. Kırılan parçalar dışarı ve / veya yere düşebilir ve diğer kişilerin yaralanmasına sebep olabilir.
- ▶ Yan tutamağın doğru monte edildiğinden ve usulüne uygun şekilde sabitlendiğinden emin olunuz. Ürünü her zaman iki elinizle öngörülen tutamaklardan sıkıca tutunuz. Tutamakları kuru, temiz, yağsız ve gressiz bir şekilde tutunuz.
- ▶ Bu ürün için sadece TE-H bağlantı ucuna sahip **Hilti** keski kullanınız.
- ▶ Keskiyi aletle, yalnızca yatay konumda değiştiriniz, asla dikey konumda değiştirmeyiniz.
- ▶ Keskiyi, alet bağlantı yerinin içine doğru, duyulabilir bir "klik" sesiyle yerine oturana ve sarı uyarı halkası artık görünür olmayana kadar itiniz.
- ▶ Keskinin doğru şekilde oturup oturmadığını kontrol ediniz. **DİKKAT:** Güvenli durmayan bir keski, beklenmedik bir şekilde tehlikeli durumlara yol açabilir!
- ▶ Bu ürünün taşıma konumunda değil, sadece çalışma konumunda çalıştırınız!
- ▶ Parmaklarınızdaki kan dolaşımının daha iyi olması için çalışma molaları veriniz ve parmak egzersizleri yapınız. Uzun süreli çalışmalarda titreşimden dolayı parmaklar, eller veya bileklerdeki kan damarlarında veya sinir sisteminde rahatsızlıklar oluşabilir.
- ▶ Bu ürünün çocuklar, yeterli güce sahip olmayan kişiler veya yetkisiz kişiler tarafından kullanılması yasaktır.
- ▶ Aleti çocuklardan uzak tutunuz.
- ▶ Çalışmaya başlamadan önce çalışma sırasında ortaya çıkan tozun tehlike sınıfını öğreniniz. Ülkenizdeki tozdan koruma yönergelerine uygun bir resmi koruma sınıfına sahip toz emme tertibatı kullanınız.
- ▶ Mümkün olduğunca, bir toz emici ve uygun, taşınabilir bir toz ayırıcı kullanınız. Kurşun içeren boyalar gibi malzemelerin tozu, bazı ahşap türleri, kuartz içeren beton / duvar / taşlar, mineraller ve metaller sağlığa zarar verebilir.
- ▶ Çalışma yerinin iyi havalandırmasını sağlayınız ve gerektiği durumlarda ilgili toz için uygun olan bir maske kullanınız. Tozlara dokunulması veya tozların solunması, kullanıcıda veya yakınında bulunan kişilerde alerjik reaksiyonlara ve/veya solunum yolu hastalıklarına yol açabilir. Kayın veya meşe ağacı gibi belli tür tozlar özellikle ahşap işlemede ek maddelerle (kromat, ahşap koruyucu malzemeler) bağlantılı çalışıldığında kanser yapıcı olarak kabul edilir. Asbest içeren malzemeler sadece uzman kişiler tarafından işlenmelidir.

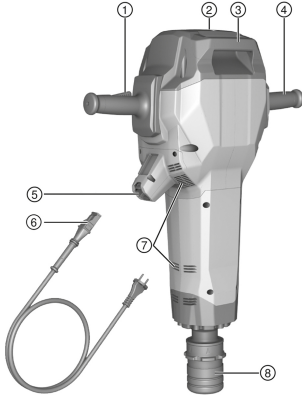
Elektrik güvenliği

- ▶ Çalışmaya başlamadan önce çalışma alanında üzeri kapatılmış elektrik kablosu, gaz ve su borusu bulunup bulunmadığını kontrol edin. Bir elektrik hattına kazara zarar verilmesi halinde, aletin dışındaki metal parçalar elektrik çarpmasına neden olabilir.
- ▶ Bu ürünün bağlantı kablosunu düzenli olarak kontrol ediniz ve hasar durumunda yetkili bir uzman tarafından değiştirilmesini sağlayınız. Elektrikli el aletinin bağlantı hattı hasar gördüğünde, bu hat müşteri hizmetleri organizasyonundan elde edebileceğiniz özel üretilmiş ve yasal olarak kullanım iznine sahip bir bağlantı hattı ile değiştirilmelidir. Uzatma hatlarını düzenli olarak kontrol ediniz ve hasar görmüş ise değiştiriniz. Çalışma esnasında şebeke veya uzatma kablosu hasar görürse bu kabloya dokunmamalısınız. Şebeke fişini prizden çekiniz. Hasarlı bağlantı ve uzatma kabloları elektrik çarpması nedeniyle tehlike oluşturur.
- ▶ İletken malzemelerin sık işlenmesi durumunda, kirlenen elektrikli el aletlerini düzenli aralıklarla **Hilti** servisine kontrol ettiriniz. Alet üst yüzeyindeki toz, özellikle iletken malzeme veya nem, uygunsuz kullanımlar sonucu elektrik çarpmasına yol açabilir.
- ▶ Elektrik kesintisi durumunda, elektrikli el aletini kapatınız ve şebeke fişini çekiniz. Böylece elektrik geri geldiği zaman ürünün istem dışı çalışması engellenir.



3 Tanımlama

3.1 Ürüne genel bakış 1



- ① Açma/kapatma şalterli tutamak
- ② Servis göstergesi
- ③ Taşıma tutamağı
- ④ Tutamak
- ⑤ Şebeke kablosu konektörü
- ⑥ Kodlu konnektörlü şebeke kablosu
- ⑦ Havalandırma delikleri
- ⑧ Alet bağlantı yeri

3.2 Taşıma aracına genel bakış 2

- ① Tutamak
- ② Yük emniyeti
- ③ Kavrama kelepçesi
- ④ Sarf malzemesi için tutucu (keski)
- ⑤ Tekerlekler
- ⑥ Tekerlek emniyeti (disk, kopilya)
- ⑦ Makine bağlantı mandreli
- ⑧ Taşıma tutamağı

3.3 Usulüne uygun kullanım

Açıklanan ürün elle kumandalı keski tabancasıdır ve 28 mm altıgen alet bağlantı yerine sahiptir. Beton, duvar ve asfalt yüzeylerdeki keskilme işleri için tasarlanmıştır. Diğer kullanım alanları kalıp kesme ve kazıma çalışmalarıdır.

- Çalışma sadece tip plakasında verilen şebeke gerilimi ve frekansta gerçekleşmelidir.

3.4 Olası yanlış kullanım

Bu ürün, sağlığa zararlı maddelerin işlenmesi için uygun değildir.

Bu ürün, nemli ortamlardaki çalışmalar için uygun değildir.

3.5 Servis göstergesi

Keski tabancasında ışık sinyali bulunan bir servis göstergesi mevcuttur.

Durum	Anlamı
Servis göstergesi kırmızı yanıyor.	<ul style="list-style-type: none"> • Servis ömrüne ulaşıldı. Ürünü Hilti servisine getiriniz. • Ürün üzerinde hasar. Ürünü Hilti servisine getiriniz.
Servis göstergesi kırmızı yanıp sönüyor.	<ul style="list-style-type: none"> • Geçici hata. Yanıp sönmenin durması için 10 saniye bekleyiniz. • 10 saniye sonra yanıp sönme durmazsa, şebeke fişini çekiniz ve 2 dakika bekleyiniz. • Yanıp sönme durmazsa, ürünü Hilti servisine getiriniz.
Hazır olma göstergesi yeşil yanıp sönüyor.	<ul style="list-style-type: none"> • Aşırı sıcaklık koruması. • Ürünü soğumaya bırakınız.
Hazır olma göstergesi yeşil yanıyor.	Ürün kullanıma hazırdır.





Ürünü zamanında Hilti servisine getiriniz. Bu sayede her zaman çalışmaya hazır kalır.

3.6 Active Vibration Reduction

Üründe opsiyonel olarak titreşimleri önemli ölçüde azaltan Active Vibration Reduction (AVR) sistemi mevcuttur.

3.7 Teslimat kapsamı

Keski tabancası, kullanım kılavuzu, gres.

Taşıma aracı opsiyonel donanım olarak kullanıma sunulur.



Ürün için izin verilen diğer sistem ürünlerini Hilti Store'da veya şu adreste bulabilirsiniz:
www.hilti.group

4 Teknik veriler



Nominal gerilim, nominal akım, frekans ve/veya nominal akım tüketimi değerlerini ülkenize özgü tip plakasında bulabilirsiniz.

Jeneratörlü veya transformatörlü bir işletim durumunda çıkış gücü, aletin tip plakasında belirtilen nominal akım tüketiminin en az iki katı büyüklüğünde olmalıdır. Transformatörün veya jeneratörün çalışma gerilimi her zaman alet nominal geriliminin % +5'i ile % -15'i arasında olmalıdır.

	TE 3000-AVR
EPTA Prosedürü 01 uyarınca ağırlık	27,1 kg
EPTA prosedürü uyarınca tek darbe enerjisi	85 J
Depolama sıcaklığı	-20 °C ... 70 °C
İşletim sırasındaki ortam sıcaklığı	-20 °C ... 55 °C

4.1 EN 60745 uyarınca ses bilgisi ve titreşim değerleri

Bu talimatlarda belirtilen ses basıncı ve titreşim değerleri, ilgili normlara uygun bir ölçüm metodu ile ölçülmüştür ve elektrikli el aletlerinin birbirleri ile karşılaştırılması için kullanılabilir. Zorlanmaların geçici olarak değerlendirilmesine de uygundur. Belirtilen değerler, elektrikli el aletinin ana kullanım alanlarını temsil eder. Elektrikli el aletinin, farklı ek aletlerle veya yetersiz bakım yapılmış şekilde kullanılması durumunda, veriler sapma gösterebilir. Bu durum, toplam çalışma süresi boyunca zorlanmayı belirgin şekilde yükseltebilir. Doğru bir zorlanma değerlendirmesi için aletin kapatıldığı veya çalışır konumda olduğu ve ayrıca kullanımda olmadığı zamanlar da dikkate alınmalıdır. Bu durum, toplam çalışma süresi boyunca zorlanmayı belirgin şekilde azaltabilir. Kullanıcıyı ses ve/veya titreşimin etkilerinden koruyacak ek güvenlik önlemleri belirleyiniz, örneğin: Elektrikli el aletinin ve ek aletlerin bakımının yapılması, ellerin sıcak tutulması, iş akışlarının düzenlenmesi.

Gürültü bilgileri

Ses gücü seviyesi (L_{WA})	106 dB(A)
Ses gücü seviyesi için emniyetsizlik (K_{WA})	3 dB(A)
Ses basıncı seviyesi (L_{pA})	95 dB(A)
Ses basıncı seviyesi için emniyetsizlik (K_{pA})	3 dB(A)

Vibrasyon bilgileri

Keskileme ($a_{h, Cheq}$)	6,9 m/sn ²
Emniyetsizlik (K)	1,5 m/sn ²



4.2 Uzatma kablosunun kullanımı

İKAZ

Hasarlı kablo nedeniyle tehlike! Çalışma esnasında şebeke veya uzatma kablosu hasar görürse bu kabloya dokunmamalısınız. Şebeke fişi prizden çekilmelidir.

- ▶ Aletin bağlantı hatlarını düzenli olarak kontrol ediniz ve hasar durumunda bunu yetkili bir uzmana değiştiriniz.
- Yalnızca kullanım alanı için izin verilen yeterli hat kesitine sahip uzatma kablosu kullanınız. Aksi takdirde alette güç kaybı ve kabloda aşırı ısınma meydana gelebilir.
- Uzatma kablosunun hasar durumunu düzenli olarak kontrol ediniz.
- Hasarlı uzatma kablosunu değiştiriniz.
- Açık alanda sadece izin verilen ve uygunluğu tanımlanmış uzatma kablosu kullanınız.

Önerilen minimum kesiti ve maksimum kablo uzunluğunu bu dokümanın sonun QR kodu olarak bulabilirsiniz.

5 Çalışma hazırlığı

DİKKAT

Yaralanma tehlikesi! Ürünün yanlışlıkla çalışmaya başlaması.

- ▶ Aletin ayarlarını yapmadan veya aksesuar parçalarını değiştirmeden önce şebeke fişini çekin.

Bu dokümanda ve ürün üzerinde bulunan güvenlik ve uyarı bilgilerine dikkat ediniz.


5.1 Ek alet

 Bu ürün için sadece **TE-H** bağlantı ucuna sahip **Hilti** keski kullanınız.


Diğer keskiler doğru şekilde kilitlemez ve alet kilidindeki sarı uyarı halkası görünür kalır. Bu, ek aletin bu keski tabancası için uygun olmadığını gösterir.

- ▶ Her kullanımdan önce, alet kilidindeki sarı uyarı halkasının artık görünmediğinden emin olunuz.

5.2 Ek aletin yerleştirilmesi

 Her kullanımdan önce aletin hasarlı olup olmadığını ve düzensiz aşınma olup olmadığını kontrol ediniz ve gerekirse ilgili parçaları değiştiriniz.

1. Ek aletin giriş ucunu gresle hafifçe yağlayınız.
2. **TE-H** bağlantı uçu keskiyi, alet bağlantı yerinin içine doğru, duyulabilir bir "klik" sesiyle yerine oturana ve sarı uyarı halkası artık görünür olmayana kadar itiniz.
3. Aleti çekerek güvenli kilitleme durumunu kontrol ediniz.


 Sadece **Hilti** marka orijinal gres kullanınız. Uygun olmayan bir gres kullanılması, üründe hasarlara neden olabilir.

5.3 Geçmeli şebeke kablosunun bağlanması

DİKKAT

Yaralanma tehlikesi Kirlenmiş kontaklardaki kaçak akımlar nedeniyle.

- ▶ Çıkarılabilir elektrik soket bağlantısını sadece temiz, kuru ve gerilimsiz bir durumdayken elektrikli el aletine bağlayınız.
- 1. Kodlanmış, sökülebilir elektrikli soket bağlantısını dayanak noktasına kadar alete yerleştiriniz, kilit duyulur şekilde yerine oturuncaya kadar itiniz.
- 2. Şebeke fişini prize takınız.

 **Hilti**, geçmeli şebeke kablosunun alete takılı olarak bırakılmasını önerir. Geçmeli şebeke kablosu sadece kırılma / hasar durumunda çıkarılmalıdır.



6 Çalışma

⚠ İKAZ

Hasarlı kablo nedeniyle tehlike! Eğer çalışma sırasında şebeke veya uzatma kablosu hasar görürse aleti ve kabloyu derhal şebekeden ayırınız. Hasar görmüş yere dokunmayınız!

- ▶ Tüm bağlantı hatlarını düzenli olarak kontrol ediniz. Hasar görmüş uzatma kablolarını değiştiriniz. Hasar görmüş şebeke hatlarını yetkili bir uzmana yeniletiniz.

Esas olarak bir kaçak akım koruma şalterinin (RCD) kullanımı için maksimum 30 mA kontak akımı önerilir.

6.1 Keski tabancasının çalıştırılması 6

1. Tutamağa ve açma/kapatma şalterine birlikte basınız.
 - ▶ Keski tabancası çalışmaya başlar.
2. Çalışma sırasında açma/kapatma şalterini basılı tutunuz.
 - ▶ Ayrıca tutamağa basarak makinenin performansını kumanda edebilirsiniz.



1 dakikadan daha uzun süren molalar sırasında, makine tekrar başlangıç konumuna geri gider. Yeniden çalıştırmak için, tutamağa ve açma/kapatma şalterine yeniden basınız.

6.2 Keskileme 7



Keski, 6 farklı konumda (60°'lik kademelerle) ayarlanabilir. Böylece yassı ve kalıp keski ile her zaman en uygun çalışma konumunda çalışılabilir.

1. Şebeke fişini prize takınız.
2. Keskiyi kenara yakl. 80-100 mm (3 1/8" - 4") mesafede konumlandırınız.
3. Tutamağa ve açma/kapatma şalterine basınız.
4. Keskileme işlemine, beton üst yüzey ile 90°'lik bir açıyla başlayınız ve ucu kenara doğru yönlendiriniz. Ardından açığı 70° ile 80°'arasına getiriniz ve malzemeyi kırınız.
 - ▶ Donatı demiri mevcutsa keskiyi her zaman malzeme kenarına karşı konumlandırınız, donatı demirine konumlandırmayınız.



Düşük sıcaklıklarda çalışma:

Darbe mekanizması çalışana kadar aletin minimum bir çalışma sıcaklığına ihtiyacı vardır. Buna erişmek için aleti kısa bir süre yere koyunuz ve boşta çalıştırınız. Gerekirse darbe mekanizması çalışana kadar bu işlemi tekrarlayınız.

6.3 Ek aletin çıkarılması 8

⚠ İKAZ

Yaralanma tehlikesi Alet kullanım sırasında ısınır ve kenarları keskinleşebilir.

- ▶ Alet değişimi sırasında koruyucu eldiven takılmalıdır.

1. Şebeke fişini prizden çekiniz.
2. Alet kilidini dayanak noktasına kadar geri çekiniz.
3. Ek aleti çıkarınız.
4. ⚠ **DİKKAT!** Aleti yanıcı malzemelerin üzerine koymayınız.

6.4 Geçmeli şebeke kablosunun elektrikli el aletinden ayrılması

1. Şebeke fişini prizden çekiniz.
2. Kodlanmış, sökülebilir kilitleme tuşuna basınız ve Kodlanmış, sökülebilir elektrikli soket bağlantısını sökünüz.
3. Şebeke kablosunu aletten çıkarınız.



Hilti, geçmeli şebeke kablosunun alete takılı olarak bırakılmasını önerir. Geçmeli şebeke kablosu sadece kırılma / hasar durumunda çıkarılmalıdır.



7 Bakım ve onarım

⚠ İKAZ

Elektrik çarpması tehlikesi! Şebeke fişi takılıyken yapılan bakım ve onarım çalışmaları ciddi yaralanmalara ve yanıklara neden olabilir.

- ▶ Tüm bakım ve onarım çalışmalarından önce her zaman şebeke fişi çekilmelidir!

Bakım

- Yapışmış olan kir dikkatlice çıkarılmalıdır.
- Havalandırma deliklerini kuru bir fırça ile dikkatlice temizleyiniz.
- Gövde sadece hafif nemli bir bezle temizlenmelidir. Plastik parçalara yapışabileceğinden silikon içerikli bakım maddeleri kullanılmamalıdır.

Bakım

⚠ İKAZ

Elektrik çarpması tehlikesi! Elektrikli parçalarda usulüne uygun olmayan onarımlar ciddi yaralanmalara ve yanıklara neden olabilir.

- ▶ Elektrik parçalarındaki onarımlar sadece elektronik uzmanı tarafından yapılabilir.
- Görünür tüm parçalarda hasar olup olmadığı ve kumanda elemanlarının sorunsuz şekilde çalıştığı kontrol edilmelidir.
- Hasar ve/veya fonksiyon arızaları durumunda ürün çalıştırılmamalıdır. Derhal **Hilti** servisi tarafından onarılmalıdır.
- Bakım ve onarım çalışmalarından sonra tüm koruma tertibatları yerleştirilmeli ve fonksiyonları kontrol edilmelidir.



Güvenli çalışma için sadece orijinal yedek parçalar ve sarf malzemeleri kullanınız. Tarafımızdan onaylanmış, yedek parçaları, aksesuarları ve sarf malzemelerini **Hilti Store** veya şu adreste bulabilirsiniz: www.hilti.group.

8 Taşınması ve depolanması

Taşıma

- ▶ Bu ürünü bir el aleti takılıyken taşımayınız.
- ▶ Taşıma esnasında güvenli bir şekilde durmasına dikkat ediniz.
- ▶ Görünür tüm parçalarda hasar olup olmadığını ve kumanda elemanlarının sorunsuz şekilde çalışıp çalışmadığını her taşımadan sonra kontrol ediniz.

Depolama

- ▶ Bu ürünü daima şebeke fişi çekili olarak depolayınız.
- ▶ Bu ürünü kuru ve çocuklar ile yetkisiz kişilerin erişemeyeceği yerlerde muhafaza ediniz.
- ▶ Görünür tüm parçalarda hasar olup olmadığını ve kumanda elemanlarının sorunsuz şekilde çalışıp çalışmadığını uzun süreli depolamadan sonra kontrol ediniz.

8.1 Taşıma aracı ile taşınması

⚠ İKAZ

Yüksek ağırlık nedeniyle yaralanma tehlikesi Keski tabancası ağırdır.

- ▶ Mümkün olduğunca nakliye aracını kullanınız. Nakliye aracı mevcut değilse keski tabancasını her zaman iki kişi taşıyınız.



Taşıma aracını eğimli yüzeyler üzerinde bırakmayınız.
Taşıma aracının sabit bir konumda kalmasını sağlayınız.
Güvenli taşıma yolları kullanmaya dikkat ediniz.

1. Keski tabancasını taşıma aracında makine bağlantı mandreline yerleştiriniz.
2. Keski tabancasını nakliye sırasında kilitleme tetiği ile emniyete alınız.
3. Keskiyi kilitleme konumuna kadar sarf malzemesi tutucusuna yerleştiriniz.



9 Arıza durumunda yardım

Bu tabloda listelenmemiş veya kendi başınıza gideremediğiniz arızalarda lütfen yetkili **Hilti** servisimiz ile irtibat kurunuz.

9.1 Hata arama

Arıza	Olası sebepler	Çözüm
Keski tabancası çalışmıyor.	Elektronik başlatılıyor (soket takıldıktan itibaren yaklaşık 4 saniye içinde)	► Aleti kapatınız ve tekrar açınız.
	Şebeke elektriği kesik	► Başka bir elektrikli alet takınız ve çalışıp çalışmadığını kontrol ediniz.
	Elektronik çalışma kilidi, elektrik kesintisinden sonra aktiftir	► Aleti kapatınız ve tekrar açınız.
	Jeneratör uyku modunda	► Jeneratörü ikinci bir tüketici (örneğin şantiye lambası) ile yük altına alınız. Ardından aleti kapatınız ve tekrar açınız.
	Soketli şebeke kablosu doğru takılmamış	► Geçmeli şebeke kablosunu elektrikli el aletine doğru şekilde bağlayınız.
Servis göstergesi kırmızı yanıyor.	Alet hasarlı veya servis zamanı geldi	► Ürün sadece Hilti servisi tarafından onarılmalıdır.
Servis göstergesi kırmızı yanıp sönüyor.	Geçici hata	► Yanıp sönmenin durması için 10 saniye bekleyiniz. ► 10 saniye sonra yanıp sönme durmazsa, şebeke fişini çekiniz ve 2 dakika bekleyiniz. ► Yanıp sönme durmazsa, ürünü Hilti servisine getiriniz.
	Güç kaynağının gerilimi çok yüksek	► Prizi değiştiriniz. Şebekeyi kontrol ediniz.
Hazır olma göstergesi yeşil yanıp sönüyor.	Aşırı sıcaklık koruması	► Ürünü soğumaya bırakınız. ► Havalandırma deliklerini temizleyiniz. Boşta çalışmaya devam edilebilir.
Darbe yok.	Alet çok soğuk	► Keski tabancasını zemine yerleştiriniz ve boşta çalıştırınız. Darbe mekanizması çalışıncaya kadar gerektiği kadar tekrarlayınız.
Keski tabancası büyük ölçüde azaltılmış bir frekansta darbe alıyor.	Boş darbe (keski sert zeminde darbelemiyor)	► Şalteri bırakınız ve makineyi yeniden başlatınız veya: ► Şalter basılıyken tutamağa da tamamen basınız.
Keski tabancası çalışmıyor veya çalışırken kapanıyor.	Uzatma kablosu çok uzun ve / veya yetersiz bir kesite sahip	► Uzatma kablosu izin verilen uzunlukta ve / veya yeterli kesitte kullanılmalıdır.

10 İmha

Hilti aletleri yüksek oranda geri dönüşümlü malzemelerden üretilmiştir. Geri dönüşüm için gerekli koşul, usulüne uygun malzeme ayrımıdır. Çoğu ülkede **Hilti**, eski aletlerini yeniden değerlendirmek üzere geri alır. Bu konuda **Hilti** müşteri hizmetlerinden veya satış temsilcilerinizden bilgi alabilirsiniz.



- Elektrikli el aletlerini, elektronik cihazları ve aküleri evdeki çöplere atmayınız!



11 RoHS (Tehlikeli madde kullanımını kısıtlama direktifi)

Aşağıdaki linkte tehlikeli maddeler tablosunu bulabilirsiniz: qr.hilti.com/r11668382.
RoHS tablosunun linkini bu dokümanın sonunda QR kodu olarak bulabilirsiniz.

12 Üretici garantisi

- Garanti koşullarına ilişkin sorularınız için lütfen yerel **Hilti** iş ortağınıza başvurunuz.



دليل الاستعمال الأصلي

1 بيانات المستند

1.1 حول هذا المستند

- اقرأ هذه المستندات بالكامل قبل التشغيل. يعتبر هذا شرطا للعمل بشكل آمن والاستخدام بدون اختلالات.
- تراعى إرشادات الأمان والإرشادات التحذيرية الواردة في هذا المستند وعلى الجهاز.
- احتفظ بدليل الاستعمال دائما مع المنتج، ولا تعطي الجهاز لآخرين إلا مرفقا بهذا الدليل.

2.1 شرح العلامات

1.2.1 إرشادات تحذيرية

تبه الإرشادات التحذيرية إلى الأخطار الناشئة عند التعامل مع الجهاز. يتم استخدام الكلمات الدليلية التالية:

خطر ⚠

خطر!

تشير لخطر مباشر يؤدي لإصابات جسدية خطيرة أو إلى الوفاة.

تحذير ⚠

تحذير!

تشير لخطر محتمل قد يؤدي لإصابات جسدية خطيرة أو إلى الوفاة.

⚠ احترس:

احترس!

تشير لموقف خطر محتمل يمكن أن يؤدي لإصابات جسدية أو أضرار مادية.

2.2.1 الرموز في المستند

يتم استخدام الرموز التالية في هذا المستند:

قبل الاستخدام اقرأ دليل الاستعمال	
إرشادات الاستخدام ومعلومات أخرى مفيدة	
التعامل مع مواد قابلة لإعادة التدوير	
لا تتخلص من الأجهزة الكهربائية البطاريات ضمن القمامة المنزلية	

3.2.1 الرموز في الصور

تستخدم الرموز التالية في الرسوم التوضيحية:

تشير هذه الأعداد إلى الصور المعنية بمطلع هذا الدليل	2
ترقيم الصور يمثل ترتيب خطوات العمل في الصور، وقد يختلف عن ترقيم خطوات العمل في النص	3
يتم استخدام أرقام المواضع في صورة العرض العام وهي تشير إلى أرقام تعليق الصورة في فصل عرض عام للمنتج	11
ينبغي أن تسترعي هذه العلامة اهتماما خاصا عند التعامل مع المنتج.	

3.1 الرموز على المنتج

1.3.1 الرموز على المنتج

يمكن استخدام الرموز التالية على المنتج:



فئة الحماية II (عزل مزدوج)	
يُحظر النقل بالرافعة	
نقل البيانات لاسلكيا	

4.1 معلومات المنتج

منتجات **HILTI** مصممة للمستخدمين المحترفين ويقتصر استعمالها وصيانتها وإصلاحها على الأشخاص المعتمدين والمدربين جيدا. هؤلاء الأشخاص يجب أن يكونوا قد تلقوا تدريباً خاصاً على الأخطار الطارئة. قد يتسبب الجهاز وأدواته المساعدة في حدوث أخطار إذا تم التعامل معها بشكل غير سليم فنياً من قبل أشخاص غير مدربين أو تم استخدامها بشكل غير مطابق للتعليمات.

يوجد مسمى الطراز والرقم المسلسل على لوحة الصنع.

◀ انقل الرقم المسلسل في الجدول التالي. ستحتاج إلى بيانات المنتج في حالة الاستفسارات الموجبة إلى ممثلينا أو مركز الخدمة.

بيانات المنتج

الإزميل الدقاق	TE 3000-AVR
الجيل	03
الرقم المسلسل	

5.1 بيان المطابقة

نفر على مسؤوليتنا الفردية بأن المنتج المشروع هنا متوافق مع التشريعات والمواصفات المعمول بها. تجد صورة بيان المطابقة في نهاية هذا المستند.

المستندات الفنية محفوظة هنا:

Hilti Entwicklungsgesellschaft mbH | Zulassung Geräte | Hiltistraße 6 | 86916 Kaufering, DE

2 السلامة

1.2 إرشادات السلامة العامة المتعلقة بالأدوات الكهربائية

⚠ تحذير احرص على قراءة جميع إرشادات السلامة، التوجيهات، الصور التوضيحية والمواصفات الفنية المرفقة مع هذه الأداة الكهربائية، أي تقصير أو إهمال في الالتزام بالتعليمات التالية قد يتسبب في حدوث صق كهربائي، نشوب حريق و/أو وقوع إصابات خطيرة.

احتفظ بجميع مستندات إرشادات السلامة والتعليمات لاستخدامها عند الحاجة إليها فيما بعد.

يقصد بمصطلح «الأداة الكهربائية» المذكور في إرشادات السلامة الأدوات الكهربائية المشغلة بالكهرباء (باستخدام كابل الكهرباء) أو الأدوات الكهربائية المشغلة بالبطاريات (بدون كابل الكهرباء).

سلامة مكان العمل

- ◀ حافظ على نطاق عملك نظيفاً ومضاءً بشكل جيد. الفوضى أو أماكن العمل غير المضاءة يمكن أن تؤدي لوقوع حوادث.
- ◀ لا تعمل بالأداة الكهربائية في محيط معرض لخطر الانفجار يتواجد به سوائل أو غازات أو أنواع غبار قابلة للاشتعال. الأدوات الكهربائية تولد شرراً يمكن أن يؤدي لإشعال الغبار والأبيرة.
- ◀ احرص على إبعاد الأطفال والأشخاص الآخرين أثناء استخدام الأداة الكهربائية. في حالة انصراف انتباهك قد تفقد السيطرة على الجهاز.

السلامة الكهربائية

- ◀ يجب أن يكون قابس توصيل الأداة الكهربائية متلائماً مع المقبس. لا يجوز تعديل القابس بأي حال من الأحوال. لا تستخدم قوايس مهايأة مع أدوات كهربائية ذات وصلة أرضي محمية. القوايس غير المعدلة والمقاييس الملائمة تقلل من خطر حدوث صدمة كهربائية.
- ◀ تجنب حدوث تلامس للجسم مع أسطح مؤرضة مثل الأسطح الخاصة بالمواسير وأجزاء التدفئة والمواقد والثلاجات. ينشأ خطر متزايد من حدوث صدمة كهربائية عندما يكون جسمك متصلاً بالأرض.
- ◀ أبعد الأدوات الكهربائية عن الأمطار أو البلى. تسرب الماء إلى داخل الأداة الكهربائية يزيد من خطر حدوث صدمة كهربائية.



- لا تستخدم كابل التوصيل لحمل الأداة الكهربائية أو تعليقها أو لسحب القابس من المقبس. احتفظ بكابل التوصيل بعيدا عن السفونة والزيت والحواف الحادة والأجزاء المتحركة. كابلات التوصيل التالفة أو المتشابكة تزيد من خطر حدوث صعق كهربائي.
- عندما تعمل بأداة كهربائية في مكان مكشوف، فلا تستخدم سوى كابلات الإطالة المناسبة للعمل في النطاق الخارجي. استخدام كابل إطالة مناسب للعمل في النطاق الخارجي يقلل من خطر حدوث صعق كهربائي.
- إذا تعذر تجنب تشغيل الأداة الكهربائية في محيط رطب، فاستخدم مفتاح حماية من تسرب التيار. استخدام مفتاح الحماية من تسرب التيار يقلل خطر حدوث صدمة كهربائية.

سلامة الأشخاص

- كن يقظا وانتبه لما تفعل وتعامل مع الأداة الكهربائية بتعقل عند العمل بها. لا تستخدم الأداة الكهربائية عندما تكون متعبا أو تحت تأثير المخدرات أو الكحوليات أو العقاقير. فقد يتسبب عدم الانتباه للحظة واحدة أثناء الاستخدام في حدوث إصابات بالغة.
- ارتد تجهيزات وقاية شخصية وارتد دائما نظارة واقية. ارتداء تجهيزات وقاية شخصية، مثل قناع الوقاية من الغبار وأحذية الأمان المضادة للانزلاق وخوذة الوقاية أو واقي السمع، تبعا لنوع واستخدام الأداة الكهربائية، يقلل من خطر الإصابات.
- تجنب التشغيل بشكل غير مقصود. تأكد أن الأداة الكهربائية مطفأة قبل توصيلها بالكهرباء و/أو بالبطارية وقبل رفعها أو حملها. إذا كان إصبعك على المفتاح عند حمل الأداة الكهربائية أو كان الجهاز في وضع التشغيل عند التوصيل بالكهرباء، فقد يؤدي ذلك لوقوع حوادث.
- أبعد أدوات الضبط أو مفاتيح ربط البراغي قبل تشغيل الأداة الكهربائية. الأداة أو المفتاح المتواجد في جزء دوار من الجهاز يمكن أن يؤدي لحدوث إصابات.
- تجنب اتخاذ وضع غير طبيعي للجسم. احرص على أن تكون واقفا بأمان وحافظ على توازنك في جميع الأوقات. من خلال ذلك تستطيع السيطرة على الأداة الكهربائية بشكل أفضل في المواقف المفاجئة.
- ارتد ملابس مناسبة. لا ترتد ملابس فضفاضة أو حلي. احرص على أن يكون الشعر والملابس والقفازات بعيدة عن الأجزاء المتحركة. الملابس الفضفاضة أو الحلي أو الشعر الطويل يمكن أن تشبك في الأجزاء المتحركة.
- إذا أمكن تركيب تجهيزات شفط وتجميع الغبار، فتأكد أنها موصلة ومستخدمة بشكل سليم. استخدام تجهيز شفط الغبار يمكن أن يقلل الأخطار الناتجة عن الغبار.
- لا تعتقد بأنك في مأمن عن الخطر ولا تتجاهل تشريعات السلامة المعنية للأدوات الكهربائية، حتى وإن كنت على دراية بالأداة الكهربائية بعد تكرار استخدامها. التعامل مع الجهاز بدون حذر قد يؤدي إلى وقوع إصابات بالغة في جزء من الثانية.

استخدام الأداة الكهربائية والتعامل معها

- لا تفرط في التمهيل على الجهاز. استخدم الأداة الكهربائية المناسبة للعمل الذي تقوم به. استخدام الأداة الكهربائية المناسبة يتبع لك العمل بشكل أفضل وأكثر أمانا في نطاق العمل المقرر.
- لا تستخدم أداة كهربائية ذات مفتاح تالف. الأداة الكهربائية التي لم يعد يمكن تشغيلها أو إطفائها تمثل خطورة ويجب إصلاحها.
- اسحب القابس من المقبس و/أو اخلع البطارية القابلة للخلع من الجهاز قبل إجراء عمليات الضبط، أو استبدال أجزاء الملحقات أو عند ترك الجهاز. هذا الإجراء الوقائي يمنع بدء تشغيل الأداة الكهربائية دون قصد.
- احتفظ بالأدوات الكهربائية غير المستخدمة بعيدا عن متناول الأطفال. لا تسمح باستخدام الجهاز من قبل أشخاص ليسوا على دراية به أو لم يقرأوا هذه التعليمات. الأدوات الكهربائية خطيرة في حالة استخدامها من قبل أشخاص ليست لديهم الخبرة الواجبة.
- اعتني جيدا بالأدوات الكهربائية والملحقات. اقمص الأجزاء المتحركة من حيث أدائها لوظيفتها بدون مشاكل وعدم انحصارها وافحصها من حيث وجود أجزاء مكسورة أو متعرضة للضرر يمكن أن تؤثر سلبا على وظيفة الأداة الكهربائية. اعمل على إصلاح الأجزاء التالفة قبل استخدام الجهاز. الكثير من الحوادث مصدرها الأدوات الكهربائية التي تم صيانتها بشكل رديء.
- حافظ على أدوات القطع حادة ونظيفة. تتميز أدوات القطع ذات حواف القطع الحادة المعتنى بها بدقة بأنها أقل عرضة للتعثر وأسبل في التعامل.
- استخدم الأداة الكهربائية والملحقات وأدوات العمل وخلافه طبقا لهذه التعليمات. احرص في هذه الأثناء على مراعاة اشتراطات العمل والمهمة المراد تنفيذها. استخدام الأدوات الكهربائية في تطبيقات غير تلك المقررة لها يمكن أن يؤدي لمواقف خطيرة.



حافظ على المقابض ومواضع المسك في حالة جافة ونظيفة وخالية من الزيت والشحم. المقابض ومواضع المسك الانزلاقية تحول دون استعمال الأداة الكهربائية والتحكم بها بشكل آمن في المواقف غير المتوقعة.

الخدمة

أعمل على إصلاح أداتك الكهربائية على أيدي فنيين معتمدين فقط والاقتصر على استخدام قطع الغيار الأصلية، وبذلك تتأكد أن سلامة الأداة الكهربائية تظل قائمة.

2.2 إرشادات السلامة الخاصة بالمطارق

إرشادات السلامة لجميع الأعمال

- استخدم واقيا للسمع، لذا يرجى مراعاة أن الضجيج الصاخب يمكن أن يُفقد القدرة على السمع.
- استخدم المقابض الإضافية الموردة مع الجهاز. فقدان السيطرة يمكن أن يؤدي لوقوع إصابات.
- أمسك الجهاز من مواضع المسك المعزولة عند إجراء أعمال يحتمل فيها أن تتلامس أداة الشغل مع أسلاك كهربائية مخفية أو مع سلك الكهرباء للجهاز ذاته، حيث أن ملامسة سلك يسري فيه التيار الكهربائي يمكن أن ينقل الجهد الكهربائي للأجزاء المعدنية بالجهاز ويؤدي لحدوث صدمة كهربائية.

3.2 إرشادات إضافية للسلامة

سلامة الأشخاص

- اقتصر على استخدام المنتج وهو في حالة سليمة من الناحية الفنية.
- لا تقم أبداً بإجراء أية تدخلات أو تغييرات على المنتج.
- أثناء أعمال التغب قم بتأمين النطاق الواقع على الجهة المقابلة للعمل. الشظايا المتناثرة يمكن أن تتطاير و/أو تسقط وتصيب الآخرين.
- تأكد أن المقبض الجانبى مركب ومثبت بشكل سليم. أمسك الجهاز دائما بكلتا اليدين من المقابض المخصصة لذلك. حافظ على المقابض جافة ونظيفة وخالية من الزيت والشحم.
- اقتصر على استخدام إزميل Hilti مزود بطرف توصيل TE-H مع هذا المنتج.
- لا تقم بتغيير موضع الإزميل إلا مع الأداة في وضع أفقي، ولا تستخدم أبداً الوضع الرأسى.
- أدخل الإزميل في طرف تركيب الأدوات، إلى أن يثبت بصوت مسموع وتختفي تماماً حلقة التحذير الصفراء.
- تأكد من الاستقرار الصحيح للإزميل. تنبيه: قد يؤدي الإزميل غير المثبت إلى حدوث مواقف خطيرة بشكل غير متوقع!
- قم بتشغيل هذا المنتج في وضع العمل فقط، وليس في وضع النقل!
- خذ قسطاً من الراحة أثناء العمل و قم بتمارين استرخاء لسريان الدم في الأصابع بشكل أفضل. عند القيام بأعمال لفترات طويلة فقد يحدث اضطرابات في الأوعية الدموية أو الجهاز العصبي بسبب كثرة الاهتزازات على الأصابع، الأيدي أو معصم اليد.
- المنتج غير مخصص للاستخدام من قبل الأطفال أو الأشخاص ذوي البنية الضعيفة أو الأشخاص غير المدربين.
- احفظ الجهاز بعيداً عن متناول الأطفال.
- احرص قبل بدء العمل على معرفة فئة خطر الغبار الناشئ عند إجراء العمل. استخدم شفاط غبار أعمال الإنشاءات ذي فئة حماية مصرح بها رسمياً ومطابق للتعليمات المحلية الخاصة بالحماية من الغبار.
- استخدم شفاط الغبار ومزيل الغبار المحمول المناسب إن أمكن. الغبار الناتج عن خامات مثل الطلاء المحتوي على الرصاص وبعض أنواع الأخشاب والخرسانة/الجران والصخور المحتوية على الكوارتز والمعادن الصخرية والمعادن هو غبار ضار بالصحة.
- احرص على وجود تهوية جيدة لمكان العمل وارتد عند اللزوم قناع تنفس مخصص لنوعية الغبار المتبعث. ملامسته أو استنشاقه قد يسبب أعراض حساسية و/أو أمراض الجهاز التنفسي للمستخدم أو للأشخاص المتواجدين على مقربة منه. هناك أنواع معينة مسرطنة من الغبار مثل غبار خشب البلوط أو غبار خشب الزان، ولا سيما إذا ارتبطت هذه الأنواع بمواد إضافية لمعالجة الأخشاب (مثل الكروم ومواد حماية الأخشاب). لا يجوز التعامل مع المواد المحتوية على الأسبستوس إلا من قبل فنيين متخصصين.

السلامة الكهربائية

- قبل بدء الأعمال افحص نطاق العمل من حيث وجود توصيلات كهرباء مغطاة أو مواسير للغاز والماء. الأجزاء المعدنية الخارجية بالجهاز يمكن أن تتسبب في صدمة كهربائية، إذا قمت دون قصد بإتلاف إحدى توصيلات التيار.
- افحص أسلاك توصيل هذا المنتج بشكل منتظم، وعند تلفها قم بتغييرها بمعرفة فني معتمد. في حالة تعرض سلك توصيل الأداة الكهربائية للتلف يجب استبداله بسلك التوصيل المخصص والمسموح به لهذا الغرض والذي يجب الحصول عليه من خلال خدمة العملاء. افحص توصيلات الإطالة بشكل منتظم واستبدلها عندما تتلف. في حالة تلف كابل الكهرباء أو كابل الإطالة أثناء العمل، فلا يجوز لمس الكابل. اسحب القابس



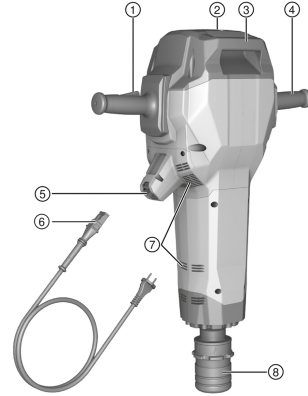
الكهربائي من المقبس. أسلاك التوصيل وتوصيلات الإطالة التالفة تمثل خطراً من خلال حدوث صدمة كهربائية.

- ◀ اعمل على فحص الأدوات الكهربائية المتسخة على فترات زمنية منتظمة لدى خدمة Hilti في حالة التعامل المتكرر مع مواد موصلة للكهرباء. حيث يمكن أن يؤدي الغبار الملصق بسطح الجهاز ولاسيما الغبار الناتج من مواد موصلة للكهرباء أو الرطوبة إلى التعرض لصعقة كهربائية في بعض الظروف غير الملائمة.
- ◀ في حالة انقطاع التيار الكهربائي أطفئ الأداة الكهربائية واسحب القابس. ومن شأن هذا أن يمنع التشغيل غير المقصود للمنتج عند عودة التيار الكهربائي.

3 الشرح

1.3 نظرة عامة على المنتج 1

- 1 المقبض المزود بمفتاح التشغيل/الإيقاف
- 2 مابين الخدمة
- 3 مقبض حمل
- 4 المقبض
- 5 كابل كهرباء قابس التوصيل
- 6 كابل كهرباء مزود بقابس توصيل مكود
- 7 فتحات التهوية
- 8 ظرف تركيب الأدوات



2.3 عرض عام للعربة الناقلة 2

- | | | | |
|---|------------------------------|---|--------------------------------------|
| 1 | المقبض | 5 | العجلات |
| 2 | واقية الحاملة | 6 | وسيلة تأمين العجلة (قرص، تيلة خابور) |
| 3 | مشبك التثبيت | 7 | طرف تركيب الماكينة |
| 4 | حامل لأدوات الشغل (الأزاميل) | 8 | مقبض حمل |

3.3 الاستخدام المطابق للتعليمات

المنتج الموضع عبارة عن إزميل دقاق يُستخدم باليد مزود بظرف تركيب أدوات سداسي المقطع 28 مم. وهو مخصص للنقر في الخرسانة والجدران والأسفلت. وهناك استعمالات أخرى مثل البرس والحفر.

◀ يجب ألا يتم التشغيل إلا بالتردد والجهد الكهربائي المذكورين على لوحة الصنع.

4.3 الاستخدام الخاطئ المحتمل

هذا المنتج غير مخصص للعمل مع الغامات الضارة بالصحة.
هذا المنتج غير مناسب للعمل في البيئات الرطبة.

5.3 مابين الخدمة

الإزميل الدقاق مجهز بمبين خدمة به إشارة ضوئية.

الحالة	الاستعمال
يضيء مابين الخدمة باللون الأحمر.	<ul style="list-style-type: none"> • هذا يعني أنه حان موعد إجراء الخدمة. توجه بالمنتج إلى مركز خدمة Hilti. • أضرار بالمنتج. توجه بالمنتج إلى مركز خدمة Hilti.



الحالة	الاستعمال
يومض مبین الخدمة باللون الأحمر.	<ul style="list-style-type: none"> خطأ مؤقت. انتظر لمدة 10 ثوان، حتى يتوقف الوميض. إذا لم يتوقف الوميض بعد 10 ثوان، اسحب القابس وانتظر دقيقتين. إذا لم يتوقف الوميض، توجه بالمنتج إلى مركز خدمة Hilti.
يومض بيان الجاهزية باللون الأخضر.	<ul style="list-style-type: none"> الحماية من السخونة المفرطة. اترك المنتج ليبرد.
يضئ بيان الجاهزية باللون الأخضر.	المنتج جاهز للتشغيل.

أحضر المنتج إلى مركز خدمة Hilti في الوقت المناسب. وبذلك يبقى الجهاز دائما جاهز للتشغيل.

6.3 Active Vibration Reduction

المنتج مجهو بنظام Active Vibration Reduction (AVR) والذي يقوم بخفض الاهتزازات بشكل ملحوظ.

7.3 مجموعة التجهيزات الموردة

الإزميل الدقاق، دليل الاستعمال، شحم. تتوفر العربة الناقلة كملحق.

تجد المزيد من منتجات النظام المسموع بها للمنتج الخاص بك لدى متجر **Hilti Store** أو على موقع الإنترنت: www.hilti.group

4 المواصفات الفنية

يرجى التعرف على الجهد الاسمي والتيار الاسمي والتردد وأو الاستهلاك الاسمي من لوحة صنع الجهاز الخاصة بالبلد المعني.

في حالة التشغيل من مولد أو محول، فإنه يجب ألا تقل قدرة الخرج الخاصة به عن ضعف قدرة الدخل الاسمية الواردة على لوحة صنع الجهاز. جهد تشغيل المحول أو المولد يجب أن يكون دائما في نطاق +5% و 15% من الجهد الكهربائي الاسمي للجهاز.

الوزن طبقا لبروتوكول EPTA 01	27.1 كجم
طاقة الطرق الفردي طبقا لبروتوكول EPTA	85 جول
درجة حرارة التخزين	-20° م ... 70° م
درجة الحرارة المحيطة أثناء التشغيل	-20° م ... 55° م

1.4 معلومات الضجيج وقيم الاهتزاز طبقا للمواصفة EN 60745

تم قياس قيم ضغط الصوت والاهتزاز الواردة في هذا الدليل طبقا لعملية قياس معايرة ويمكن الاستعانة بها في مقارنة الأدوات الكهربائية مع بعضها البعض. وهي تصلح أيضا لتقدير المخاطر بصورة مؤقتة. المواصفات الواردة تتعلق بالاستخدامات الأساسية للأداة الكهربائية. أما إذا تم استخدام الأداة الكهربائية في تطبيقات أخرى مع أدوات شغل مخالفة للمواصفات أو دون صيانة كافية، ففي هذه الحالة قد تختلف البيانات. وقد يزيد هذا من المخاطر خلال مدة العمل بالكامل بصورة واضحة. ولتقدير المخاطر تقديرا دقيقا ينبغي أيضا مراعاة الأوقات التي يتم فيها إيقاف الجهاز أو التي يكون فيها الجهاز مشغلا ولكن دون استخدام حقيقي. وقد يقلل هذا من المخاطر خلال مدة العمل بالكامل بصورة واضحة. احرص على مراعاة تدابير السلامة الإضافية لحماية المستخدم من تأثير الصوت و/أو الاهتزازات مثل: صيانة الأداة الكهربائية وأدوات العمل والحفاظ على الأيدي في حالة دافئة وتنظيم مراحل العمل.



106 ديسيبل (A)	مستوى شدة الصوت (L_{WA})
3 ديسيبل (A)	نسبة التفاوت لمستوى شدة الصوت (K_{WA})
95 ديسيبل (A)	مستوى ضغط الصوت (L_{pA})
3 ديسيبل (A)	نسبة التفاوت لمستوى ضغط الصوت (K_{pA})

معلومات الاهتزاز

6.9 م/ثانية ²	النقر بالإزميل ($a_{h, Cheq}$)
1.5 م/ثانية ²	نسبة التفاوت (K)

2.4 استخدام كابل إطالة



خطر بسبب الكابلات التالفة! في حالة تلف كابل الكهرباء أو كابل الإطالة أثناء العمل، فإنه لا يجوز لمس الكابل. اسحب القابس الكهربائي من المقبس.

- أفحص أسلاك توصيل الجهاز بشكل منتظم وعند تلفها اعمل على تغييرها بمعرفة فني معتمد.
 - لا تستخدم سوى كابل إطالة مسموح به في نطاق العمل المعني وبراعى أن يكون ذا مقطع عرضي كاف. وإلا فمن الممكن أن يقل أداء الجهاز ويسخن الكابل بشدة.
 - أفحص كابل الإطالة بانتظام للتأكد من عدم وجود أضرار به.
 - اعمل على تغيير كابلات الإطالة التالفة.
 - في الأماكن المكشوفة لا تستخدم سوى كابل إطالة مصرح به لذلك ومذكور عليه ما يفيد ذلك.
- القيم الموصى بها للحد الأدنى للمقاطع العرضية والمد الأقصى لأطوال الكابلات موجودة في نهاية هذا المستند ككود QR.

5 التحضير للعمل



خطر الإصابة! تشغيل الجهاز بشكل غير مقصود.

- اسحب القابس الكهربائي، قبل إجراء عمليات ضبط الجهاز أو تغيير أجزاء الملحقات.

تراجع إرشادات الأمان والإرشادات التحذيرية الواردة في هذا المستند وعلى الجهاز.

1.5 أداة الشغل 3

لا تستخدم مع هذا المنتج سوى إزميل Hilti المزود بطرف توصيل TE-H. يتعدّر تأمين أنواع الإزميل الأخرى وتظل حلقة التحذير الصفراء مرئية في وسيلة تأمين الأداة. وهي تشير بذلك إلى أن أداة الشغل غير مناسبة لهذا الإزميل الدقاق!

- بعد كل استخدام، يُراعى أن تخفي تمامًا حلقة التحذير الصفراء بوسيلة تأمين الأداة.

2.5 تركيب أداة الشغل 4

قبل كل استخدام، أفحص الأداة للتأكد من عدم وجود أضرار بها وتأكل غير متساوي وقم بتغييرها عند اللزوم.

- قم بتزليق طرف إدخال أداة الشغل قليلاً.
- أدخل الإزميل مع طرف التوصيل TE-H في طرف تركيب الأدوات، إلى أن يثبت بصوت مسموع وتخفي حلقة التحذير الصفراء.
- اختبر مدى إحكام القفل من خلال شد الأداة.

اقتصر على استخدام الشمع الأصلي من Hilti. قد يؤدي استخدام شمع غير مناسب إلى تعرض المنتج للضرر.



3.5 توصيل كابل الكهرباء القابل للإدخال 5

⚠️ احترس:

خطر الإصابة من جراء التيار الكهربائي المتسرب في حالة وجود أطراف توصيل متسخة.
 لا تقم بتوصيل الوصلة المقبسية الكهربائية القابلة للترك بالهजार الكهربائي إلا وهي في حالة نظيفة وجافة ولا يسري بها جهد كهربائي.

1. أدخل الوصلة المقبسية الكهربائية المكودة القابلة للترك في الهजार حتى النهاية، إلى أن يثبت القفل بصوت مسموع.
2. أدخل القابس الكهربائي في المقبس.

i توصي Hilti بترك كابل الكهرباء القابل للإدخال بأداة الشغل دائماً. يجب إزالة كابل الكهرباء القابل للإدخال في حالة كسره / تعرضه للتلف فقط.

6 العمل

⚠️ تحذير

خطر بسبب الكابلات التالفة! في حالة تلف كابل الكهرباء أو كابل الإطالة أثناء العمل، قم على الفور بفصل الهजार والكابل عن التيار الكهربائي. لا تلمس الموضع التالف!
 احرص بشكل منتظم على فحص جميع أسلاك التوصيل. قم باستبدال كابل الإطالة التالف. احرص على تغيير الأسلاك الكهربائية التالفة بمعرفة فني معتمد.

ينصح بصفة أساسية باستخدام مفتاح حماية من تسرب التيار (RCD) بتيار إطلاق 30 مللي أمبير كحد أقصى.

1.6 تشغيل الإزميل الدقاق 5

1. اضغط المقبض و مفتاح التشغيل/الإيقاف معاً.
 ◀ يبدأ الإزميل الدقاق في العمل.
2. احتفظ أثناء العمل بمفتاح التشغيل/الإيقاف مضغوطاً.
 ◀ علاوة على ذلك، يمكنك عن طريق الضغط على المقبض التحكم في أداء الماكينة.

i في حالة الإيقاف المؤقت لمدة تزيد على دقيقة واحدة، تعود الماكينة مرة أخرى إلى وضع الضبط الأولي، ولغرض بدء التشغيل من جديد يجب الضغط على المقبض ومفتاح التشغيل/الإيقاف.

2.6 النقر بالإزميل 7

i يمكن ضبط الإزميل على 6 أوضاع مختلفة (في خطوات مقدار كل منها 60 درجة). وبذلك يمكن دائماً العمل بالإزميل المفطع وإزميل التشكيل في وضع العمل المثالي المناسب.

1. أدخل القابس الكهربائي في المقبس.
2. ضع الإزميل على مسافة حوالي 80-100 مم (3%-4 بوصة) من الحافة.
3. اضغط على المقبض و مفتاح التشغيل/الإيقاف.
4. ابدأ عملية النقر بالإزميل بزاوية مقدارها 90° بالنسبة لسطح الخرسانة و قم بتوجيه سن الإزميل جهة الحافة. ثم حرك الزاوية في اتجاه 70° إلى 80° و قم بتكسيير الحافة.
- ◀ في حالة قضبان حديد التسليح قم دائماً بتوجيه الإزميل جهة حافة الحافة وليس جهة قضبان حديد التسليح.

i إجراء أعمال في درجات الحرارة المنخفضة:

يتاح الهजार لدرجة حرارة تشغيل بحد أدنى لكي يعمل الطارق. للوصول إلى الحد الأدنى، ضع الهजार على الأرضية لفترة قصيرة واجعله يعمل على الوضع المحايد. عند اللزوم، كرر هذه العملية إلى أن يعمل الطارق.



تحذير

خطر الإصابة من الممكن أن تسخن الأداة نتيجة الاستخدام وقد تظهر بها حواف حادة.
 ▶ ارتد قفازا واقيا أثناء تغيير الأدوات.

1. اسحب القابس الكهربائي من المقبس.
2. قم بإرجاع وسيلة تأمين الأداة حتى النهاية.
3. قم بفك أداة الشغل.
4. **⚠ تنبيه!** لا تضع الأداة وهي ساخنة على مواد سهلة الاشتعال.

4.6 فصل قابس الكهرباء القابل للإدخال عن الجهاز الكهربائي

1. اسحب القابس الكهربائي من المقبس.
2. اضغط على زر التثبيت واخلع الوصلة المقبسية الكهربائية المكودة القابلة للفك.
3. اسحب الكابل الكهربائي من الجهاز.

i توصي Hilti بترك كابل الكهرباء القابل للإدخال بأداة الشغل دائماً. يجب إزالة كابل الكهرباء القابل للإدخال في حالة كسره / تعرضه للتلف فقط.

7 العناية والصيانة
تحذير

خطر بسبب حدوث صدمة كهربائية إجراء أعمال العناية والصيانة بينما القابس الكهربائي مركب قد يتسبب في إصابات بالغة والإصابة بحروق.
 ▶ احرص على سبب القابس الكهربائي قبل جميع أعمال الإصلاح والعناية!

العناية

- قم بإزالة الاتساخ الملتصق بمرص.
- قم بتنظيف فتحات التهوية بمرص باستخدام فرشاة جافة.
- نظف جسم الجهاز باستخدام قطعة قماش مبللة بعض الشيء. لا تستخدم مواد عناية تحتوي على السيليكون لما قد تتسبب فيه من الإضرار بالأجزاء البلاستيكية.

الصيانة
تحذير

خطر الصعق الكهربائي! قد تؤدي أعمال الصيانة التي تتم على الأجزاء الكهربائية بشكل غير سليم إلى حدوث إصابات خطيرة وإصابة بحروق.

- ▶ لا يجوز إجراء إصلاحات على الأجزاء الكهربائية إلا من خلال متخصصين في الكهرباء.
- افحص جميع الأجزاء المرئية من حيث وجود أضرار وافحص عناصر الاستعمال من حيث كفاءتها الوظيفية.
- في حالة وجود أضرار و/أو اختلالات وظيفية لا تقم بتشغيل المنتج. احرص على الفور على إصلاحه لدى مركز خدمة Hilti.
- بعد أعمال العناية والإصلاح قم بتركيب جميع تجهيزات الحماية وافحصها من حيث الأداء الوظيفي.

i للتشغيل الآمن اقتصر على استخدام قطع الغيار الأصلية وخامات الشغل. تجد قطع الغيار وخامات الشغل والملحقات المصرح بها من قبلنا للمنتج الخاص بك في متجر Hilti Store أو على موقع الإنترنت: www.hilti.group

8 النقل والتخزين
النقل

- ▶ لا تنقل المنتج بينما الأداة مدخلة فيه.
- ▶ تأكد من الثبات الآمن أثناء النقل.
- ▶ احرص على فحص الأجزاء المرئية من حيث وجود أضرار بعد كل عملية نقل وافحص عناصر الاستعمال من حيث كفاءتها الوظيفية.



التخزين

- احرص دائماً عند تخزين المنتج على سحب القابس الكهربائي.
- قم بتخزين هذا المنتج وفي حالة جافة واحتفظ به بعيداً عن متناول الأطفال والأشخاص غير المصرح لهم.
- احرص على فحص الأجزاء المرئية من حيث وجود أضرار بعد النقل لمسافة طويلة وافحص عناصر الاستعمال من حيث كفاءتها الوظيفية.

1.8 النقل باستخدام العربة الناقلة

تحذير

- خطر الإصابة من جراء الوزن المرتفع** الإزميل الدقاق ثقيل الوزن.
- احرص قدر الإمكان على استخدام عربة ناقلة. إذا لم تتوفر العربة الناقلة فاحرص دائماً على نقل الإزميل الدقاق بمساعدة شخص آخر.

احرص ألا تتوقف العربة الناقلة على أسطح مائلة.

اعمل على توفير وضع مستقر للعربة الناقلة.

تحقق من أمان طرق النقل.

- ضع الإزميل الدقاق على طرف تركيب الماكينة في العربة الناقلة.
- قم بتأمين الإزميل الدقاق أثناء النقل باستخدام مشبك التثبيت.
- أدخل الإزميل حتى وضع الثبات في حامل خامات الشغل.

9 المساعدة في حالات الاختلالات

عند حدوث اختلالات غير مذكورة في الجدول أو يتعذر عليك معالجتها بنفسك، فيرجى التوجه إلى مركز خدمة Hilti.

1.9 تقصي الأخطاء

الخلل	السبب المحتمل	الحل
الإزميل الدقاق لا يبدأ في العمل.	جاري تهيئة الوحدة الإلكترونية (لمدة تصل إلى 4 ثوان تقريباً بدءاً من إدخال القابس)	قم بإيقاف الجهاز ثم أعد تشغيله.
	انقطاع الإمداد بالتيار الكهربائي	قم بتوصيل جهاز كهربائي آخر وافحص التشغيل.
	تم تفعيل مانع بدء التشغيل الإلكتروني بعد فترة انقطاع التيار الكهربائي	قم بإيقاف الجهاز ثم أعد تشغيله.
	المولد الكهربائي في وضع السبات	قم بتشغيل جهاز آخر مستهلك للكهرباء (مثل مصباح إضاءة موقع البناء) من المولد. ثم قم بإيقاف الجهاز ثم أعد تشغيله.
	لم يتم إدخال الكابل الكهربائي القابل للإدخال في الجهاز بشكل صحيح	قم بتوصيل كابل الكهرباء القابل للإدخال بالجهاز الكهربائي بشكل صحيح.
	ضرر بالجهاز أو حان موعد إجراء الخدمة	اقتصر على إصلاح المنتج لدى مركز خدمة Hilti.
	خطأ مؤقت	انتظر لمدة 10 ثوان، حتى يتوقف الوميض.
		إذا لم يتوقف الوميض بعد 10 ثوان، اسحب القابس وانتظر دقيقتين.
		إذا لم يتوقف الوميض، توجه بالمنتج إلى مركز خدمة Hilti.



الخلل	السبب المحتمل	الحل
يومض مبین الخدمة باللون الأحمر.	الجهد الكهربائي بمصدر الإمداد بالجهد الكهربائي مرتفع للغاية	◀ قم بتغيير المقبس الكهربائي. راجع الشبكة الكهربائية.
يومض بيان الجاهزية باللون الأخضر.	الحماية من سخونة المفرطة	◀ اترك المنتج يبرد. ◀ قم بتنظيف فتحات التبريد. كما يتاح التشغيل في الوضع المحافظ أيضًا.
لا يتولد طرق.	الجهاز بارد للغاية	◀ ضع الإزميل الدقاق على الأرض واتركه يدور على الفارغ. عند اللزوم كرر هذه العملية حتى يعمل الطارق.
يطرق الإزميل الدقاق بتردد منخفض للغاية.	طرق على الفارغ (الإزميل لا يعمل على موضع الشغل الصلب)	◀ حرر المفتاح و قم بتشغيل الماكينة مجددًا أو: ◀ اضغط أيضًا على المقبض بالكامل أثناء الضغط على المفتاح.
الإزميل الدقاق لا يبدأ في العمل أو يتوقف أثناء التشغيل.	كابل الإطالة طويل للغاية و/أو ذو مقطع عرضي ضئيل للغاية	◀ استخدم كابل إطالة ذا طول مسموح به و/أو ذا مقطع عرضي كاف.

10 التكبين

أجهزة Hilti مصنوعة بنسبة كبيرة من مواد قابلة لإعادة التدوير. يشترط إعادة التدوير أن يتم فصل الخامات بشكل سليم فينبا. في العديد من الدول تقوم شركة Hilti باستغلال الأجهزة القديمة لإعادة تدويرها. وللمعلومات حول ذلك اتصل بخدمة عملاء Hilti أو الموزع القريب منك.

◀ لا تعلق الأدوات الكهربائية، الأجهزة الإلكترونية والبطاريات ضمن القمامة المنزلية!



11 مواصفة RoHS (مواصفة تقييد استخدام المواد الخطيرة)

تجد جدولاً بالمواد الخطرة تحت الرابط التالي: qr.hilti.com/r11668382.
تجد رابط خاص بجدول المواد التي تخص المواصفة RoHS في نهاية هذا المستند على هيئة كود QR.

12 ضمان الجبة الصانعة

◀ في حالة وجود أية استفسارات بخصوص شروط الضمان، يرجى التوجه إلى وكيل Hilti المحلي الذي تتعامل معه.



オリジナル取扱説明書

1 文書について

1.1 本書について

- ご使用前に本書をすべてお読みください。このことは、安全な作業と問題のない取扱いのための前提条件となります。
- 本書および製品に記載されている安全上の注意と警告表示に注意してください。
- 取扱説明書は常に製品とともに保管し、他の人が使用する場合には、製品と取扱説明書を一緒にお渡しください。

1.2 記号の説明

1.2.1 警告表示

警告表示は製品の取扱いにおける危険について警告するものです。以下の注意喚起語が使用されています：

危険

危険！

- ▶ この表記は、重傷あるいは死亡事故につながる危険性がある場合に注意を促すために使われます。

警告

警告！

- ▶ この表記は、重傷あるいは死亡事故につながる可能性がある場合に注意を促すために使われます。

注意

注意！

- ▶ この表記は、身体の負傷あるいは物財の損傷が発生する可能性がある場合に使われます。

1.2.2 本書の記号

本書では、以下の記号が使用されています：

	使用前に取扱説明書をお読みください
	本製品を効率良く取り扱うための注意事項や役に立つ情報
	リサイクル可能な部品の取扱い
	工具およびバッテリーを一般ゴミとして廃棄してはなりません

1.2.3 図中の記号

図中では以下の記号が使用されています：

	この数字は本取扱説明書冒頭にある該当図を示しています
	付番は図中の作業手順の順序に対応していて、本文の作業手順とは一致しない場合があります
	概要図には項目番号が付されていて、製品概要セクションの凡例の番号に対応しています
	この記号は、製品の取扱いの際に特に注意が必要なことを示しています。

1.3 製品に表示されている記号

1.3.1 製品に表示されている記号

製品には以下の記号が使用されていることがあります：

	電気絶縁保護クラス II (二重絶縁)
--	---------------------



	クレーンによる搬送禁止
	無線データ転送

1.4 製品情報

HILTI 製品はプロ仕様で製作されており、その使用、保守、修理を行うのは、認定を受けトレーニングされた人のみに限ります。これらの人は、遭遇し得る危険に関する情報を入手していなければなりません。製品およびアクセサリを使用法を知らない者による誤使用、あるいは規定外の使用は危険です。

機種名および製造番号は銘板に表示されています。

- ▶ 製造番号を以下の表に書き写しておいてください。ヒルティ代理店やサービスセンターへお問い合わせの際には、製品データが必要になります。

製品データ

電動ハツリ機	TE 3000-AVR
製品世代	03
製造番号：	

1.5 適合宣言

当社は、単独の責任において本書で説明している製品が有効な基準と標準規格に適合していることを宣言します。適合宣言書の複写は本書の末尾にあります。

技術資料は本書の後続の頁に記載されています：

Hilti Entwicklungsgesellschaft mbH | Zulassung Geräte | Hiltistraße 6 | 86916 Kaufering, DE

2 安全

2.1 電動工具の一般安全注意事項

警告事項 本電動工具に付属のすべての安全上の注意、指示事項、図、および製品仕様をお読みください。

以下の指示を守らないと、感電、火災および / または重傷事故の危険があります。

安全上の注意および指示事項が書かれた説明書はすべて大切に保管してください。

安全上の注意で使用する用語「電動工具」とは、お手持ちの電動ツール（電源コード使用）またはバッテリーツール（コードレス）を指します。

作業環境に関する安全

- ▶ 作業場はきれいに保ち、十分に明るくしてください。ちらかった暗い場所での作業は事故の原因となります。
- ▶ 爆発の危険性のある環境（可燃性液体、ガスおよび粉じんのある場所）では電動工具を使用しないでください。電動工具から火花が飛散し、粉じんや揮発性ガスに引火する恐れがあります。
- ▶ 電動工具の使用時、子供や無関係者を作業場へ近づけないでください。作業中に気がそらされると、本体のコントロールを失ってしまう恐れがあります。

電気に関する安全注意事項

- ▶ 電動工具の接続プラグは電源コンセントにきちんと適合しなければなりません。プラグは絶対に変更しないでください。保護接地した電動工具と一緒にアダプタープラグを使用しないでください。オリジナルのプラグと適切なコンセントを使用することにより、感電の危険を小さくすることができます。
- ▶ パイプ、ラジエーター、電子レンジ、冷蔵庫などのアースされた面に体の一部が触れないようにしてください。体が触れると感電の危険が大きくなります。
- ▶ 電動工具を雨や湿気から保護してください。電動工具に水が浸入すると、感電の危険が大きくなります。
- ▶ 電動工具を持ち運んだり、吊り下げたり、コンセントからプラグを抜いたりするときは、必ず本体を持ち、電源コードを持ったり引っ張ったりしないでください。電源コードを火気、オイル、鋭利な刃物、可動部等に触れる場所に置かないでください。電源コードが損傷したり絡まったりしていると、感電の危険が大きくなります。
- ▶ 屋外工事の場合には、必ず屋外専用の延長コードを使用してください。屋外専用の延長コードを使用すると、感電の危険が小さくなります。
- ▶ 湿った場所で電動工具を動作させる必要がある場合は、漏電遮断器を使用してください。漏電遮断器を使用すると、感電の危険が小さくなります。



作業者に関する安全

- ▶ 電動工具を使用の際には、油断せずに十分注意し、常識をもった作業をおこなってください。疲れている場合、薬物、医薬品服用およびアルコール飲用による影響下にある場合には電動工具を使用しないでください。電動工具使用中の一瞬の不注意が重傷の原因となることがあります。
- ▶ 個人用保護具および保護メガネを常に着用してください。負傷の危険を低減するために、電動工具の使用状況に応じた粉じんマスク、耐滑性の安全靴、ヘルメット、耳栓などの個人用保護具を着用してください。
- ▶ 電動工具の意図しない始動を防止して下さい。電動工具を電源および / またはバッテリーに接続する前や本体を持ち上げたり運んだりする前に、本体がオフになっていることを必ず確認してください。オン / オフスイッチが入っている状態で電動工具のスイッチに指を掛けたまま運んだり、電源に接続したりすると、事故の原因となる恐れがあります。
- ▶ 電動工具のスイッチを入れる前に、必ず調節キーやレンチを取り外してください。調節キーやレンチが本体の回転部に装着されたままでは、けがの原因となる恐れがあります。
- ▶ 作業中は不安定な姿勢をとらないでください。足元を安定させ、常にバランスを保つようにしてください。これにより、万一電動工具が異常状況に陥った場合にも、適切な対応が可能となります。
- ▶ 作業に適した作業着を着用してください。だぶだぶの衣服や装身具を着用しないでください。髪、衣服、手袋を本体の可動部に近づけないでください。だぶだぶの衣服、装身具、長い髪が可動部に巻き込まれる恐れがあります。
- ▶ 吸じんシステムの接続が可能な場合には、これらのシステムが適切に接続、使用されていることを確認してください。吸じんシステムを利用することにより、粉じん公害を防げます。
- ▶ 電動工具の取扱いに熟練している場合にも、正しい安全対策を遵守し、電動工具に関する安全規則を無視しないでください。不注意な取扱いは、ほんの一瞬で重傷事故を招くことがあります。

電動工具の使用および取扱い

- ▶ 無理のある使用を避けてください。作業用途に適した電動工具を使用してください。適切な電動工具の使用により、能率よく、スムーズかつ安全な作業が行えます。
- ▶ スwitchが故障している場合には、電動工具を使用しないでください。スイッチで始動および停止操作のできない電動工具は危険ですので、修理が必要です。
- ▶ 本体の設定やアクセサリーの交換を行う前や本体を保管する前には電源プラグをコンセントから抜き、および / または脱着式のバッテリーを取り外してください。この安全処置により、電動工具の意図しない始動を防止することができます。
- ▶ 電動工具をご使用にならない場合には、子供の手の届かない場所に保管してください。電動工具に関する知識のない方、本説明書をお読みでない方による本体のご使用は避けてください。未経験者による電動工具の使用は危険です。
- ▶ 電動工具とアクセサリーは慎重に手入れしてください。可動部分が引っ掛かりなく正常に作動しているか、電動工具の運転に影響を及ぼす各部分が破損・損傷していないかを確認してください。電動工具をご使用になる前に、損傷部分の修理を依頼してください。事故の多くは保守管理の不十分な電動工具の使用が原因となっています。
- ▶ 先端工具は鋭利で汚れのない状態を保ってください。お手入れのゆきとどいた先端工具を使用すると、作業が簡単かつ、スムーズになります。
- ▶ 電動工具、アクセサリー、先端工具などは、それらの説明書に記載されている指示に従って使用してください。その際は、作業環境および用途についてもご注意ください。指定された用途以外に電動工具を使用すると危険な状況をまねく恐れがあります。
- ▶ グリップとグリップ面は乾燥した清潔な状態に保ち、オイルやグリスの付着がないようにしてください。グリップやグリップ面が滑りやすい状態になっていると、予期していない状況が発生した際に電動工具を安全に使用 / 制御できません。

サービス

- ▶ 電動工具の修理は必ず認定サービスセンターにお申し付けください。また、必ず純正部品を使用してください。これにより電動工具の安全性が確実に維持されます。

2.2 ハンマーに関する安全上の注意

すべての作業に関する安全上の注意

- ▶ 耳栓を着用してください。騒音により、聴覚に悪影響が出る恐れがあります。
- ▶ 本体には一緒に納品された補助ハンドルを使用してください。これ以外のハンドルを使用すると、コントロールを失ってけがをす恐れがあります。
- ▶ 隠れた電線や装置自体の電源コードに先端工具が接触する可能性のある作業を行う場合は、必ず本体の絶縁されたグリップを持ってください。通電しているケーブルと接触すると、本体の金属部分にも電圧がかかり、感電の危険があります。



2.3 その他の安全上の注意

作業者に関する安全

- ▶ 本製品は、必ず技術的に問題のない状態で使用してください。
- ▶ 本製品は決して加工や改造を加えないでください。
- ▶ 剥がし作業の場合には、作業側と反対の領域を保護してください。剥がれた部分が脱落、落下して他の人を負傷させる危険があります。
- ▶ サイドハンドルが正しく取り付けられ、しっかりと固定されていることを確認してください。本製品は、常に両手でグリップを握ってしっかりと保持してください。グリップ表面は乾燥させ、清潔に保ち、オイルやグリスで汚さないようにしてください。
- ▶ 本製品には、必ず TE-H 接続エンド付きの Hilti チゼルを使用してください。
- ▶ チゼルの交換は必ず先端工具が水平の位置で行い、垂直の位置では行わないでください。
- ▶ チゼルは、ロック音が聞こえ、黄色の警告リングが見えなくなるまでチャックに挿入してください。
- ▶ チゼルが正しくロックされているか点検してください。注意：正しく固定されていないチゼルにより、予期しない危険な状況が生じることがあります！
- ▶ 本製品は必ず作業ポジションでスタートさせ、搬送ポジションではスタートさせないでください。
- ▶ 休憩を取って、指を動かして血行を良くするように心がけてください。長時間作業の際には、振動により指、手あるいは手首の関節の血管あるいは神経系に障害が発生する可能性があります。
- ▶ 本製品は、子供や体の弱い人、指示を受けていない人が使用するには向いていません。
- ▶ 本体は子供の手が届かないところに保管してください。
- ▶ 作業開始前に、作業場で発生する粉じんの危険有害度を調査してください。公的に承認された保護等級および地域の粉じんに関する規定を満たした工業用集じん機を使用してください。
- ▶ できるだけ集じん装置や適切な可動集じん装置を使用してください。含鉛塗料、特定の種類の木材、コンクリート / 石材、石英を含む岩石、鉱物および金属などの母材から生じた粉じんは、健康を害する恐れがあります。
- ▶ 作業場の良好な換気に注意し、必要に応じてそれぞれの粉じんに適した防じんマスクを着用してください。作業者や近くにいる人が粉じんに触れたり吸い込んだりすると、アレルギー反応や呼吸器疾患を起す可能性があります。カシヤブナ材などの特定の粉じんは、特に木材処理用の添加剤（クロム塩酸、木材保護剤）が使用されている場合、発ガン性があるとされています。アスベストが含まれる母材は、必ず専門家が取り扱うようにしてください。

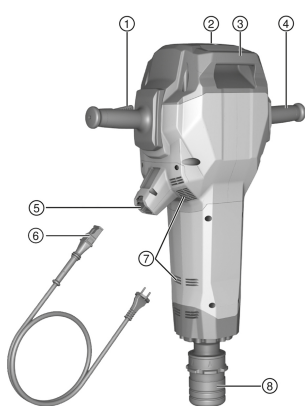
電気に関する安全注意事項

- ▶ 作業を開始する前に、作業領域に埋設された電線、ガス管や水道管がないかを調査してください。誤って電線を損傷すると、本体外側の金属部分により感電事故が発生する可能性があります。
- ▶ 本製品の電源コードを定期的に点検し、コードに損傷がある場合は認定を受けた修理スペシャリストに交換を依頼してください。電動工具の電源コードが損傷した場合は、専用の承認された交換用電源コードと交換してください。交換用電源コードはヒルティサービスセンターにご注文ください。延長コードは定期的な点検し、損傷がある場合は交換してください。作業中、損傷した電源コード、延長コードには触れないでください。電源プラグをコンセントから抜きます。損傷した電源コードや延長コードは感電の原因となり危険です。
- ▶ 導電性のある母材に対する作業を頻繁に行う場合は、定期的に Hilti サービスセンターに汚れた電動工具の点検を依頼してください。本体表面に汚れ（特に導電性の物質）が付着していたり、あるいは濡れていると、場合によっては感電の恐れがあります。
- ▶ 停電の際には、電動工具のスイッチを切り、電源プラグを抜いてください。これで、再び通電した時に本製品が不意に始動するのを防ぐことができます。



3 製品の説明

3.1 製品概要 1



- ① シーソースイッチ付きグリップ
- ② サービスインジケータ
- ③ キャリンググリップ
- ④ グリップ
- ⑤ 電源コードプラグ
- ⑥ コーディングされたプラグ付きの電源コード
- ⑦ 通気溝
- ⑧ チャック

3.2 搬送ワゴン概要 2

- ① グリップ
- ② 積載固定具
- ③ 固定フレーム
- ④ 消耗品 (チゼル) 用ホルダー
- ⑤ 車輪
- ⑥ 車輪ロック機構 (ディスク、割ピン)
- ⑦ 工具位置決めピン
- ⑧ キャリンググリップ

3.3 正しい使用

本書で説明している製品は、28 mm 六角チャック付きの手持ち式電動ハツリ機です。本製品は、コンクリート、石材およびアスファルトのハツリ作業用の工具です。締固め (タンピング) および溝掘りにも使用できます。

▶ 必ず銘板に表示されている電圧、周波数で使用してください。

3.4 考えられる誤った使用

本製品は、健康を損なう危険のある母材を作業するには適していません。

本製品は、湿気の多い環境での作業には適していません。

3.5 サービスインジケータ

この電動ハツリ機は、サービスインジケータを装備しています。

状態	意味
サービスインジケータが赤色で点灯する。	<ul style="list-style-type: none"> • 作動時間がサービス期限に達している。本製品を Hilti サービスセンターにお送りください。 • 製品の損傷。本製品を Hilti サービスセンターにお送りください。
サービスインジケータが赤色で点滅する。	<ul style="list-style-type: none"> • 一時的な症状。点滅が終わるまで 10 秒間お待ちください。 • 10 秒が経過しても点滅が終了しない場合は、電源プラグを引き抜いて 2 分間お待ちください。 • 点滅が終了しない場合は、本製品を Hilti サービスセンターにお送りください。
スタンバイインジケータが緑色で点滅する。	<ul style="list-style-type: none"> • 過熱保護が作動した。 • 製品を冷ましてください。
スタンバイインジケータが緑色で点灯する。	製品は使用できる状態にあります。



i 遅滞なくHilti サービスセンターに本製品のサービス作業を依頼してください。これにより本製品は、常に使用可能な状態に維持されます。

3.6 Active Vibration Reduction

本製品は、振動を大幅に低減させるActive Vibration Reduction (AVR) システムを装備しています。

3.7 本体標準セット構成

電動ハツリ機、取扱説明書、グリス。
搬送ワゴンはオプションとして提供されています。

i その他のご使用の製品用に許可されたシステム製品については、弊社営業担当またはHilti Store にお問い合わせいただくか、あるいはwww.hilti.groupでご確認ください。

4 製品仕様

i 定格電圧、定格電流、周波数および / または定格電力については、国別の銘板でご確認ください。

発電機または変圧器を使用しての作業の場合は、それらは本体の銘板に記載されている定格電力より2倍以上大きな出力がなければなりません。変圧器または発電機の作動電圧は、常に本体の定格電圧の+5%...-15%の範囲になければなりません。

	TE 3000-AVR
重量 (EPTA プロシージャ 01 に準拠)	27.1 kg
1 回当たりの打撃力 (EPTA プロシージャ準拠)	85 J
保管温度	-20 °C ... 70 °C
作動時の周囲温度	-20 °C ... 55 °C

4.1 騒音および振動値について (EN 60745 準拠)

本説明書に記載されているサウンドプレッシャー値および振動値は、規格に準拠した測定方法に基づいて測定したものです。電動工具を比較するのにご使用いただけます。曝露値の暫定的な予測にも適しています。記載されているデータは、電動工具の主要な使用方法に対する値です。電動工具を他の用途で使用したり、異なる先端工具を取り付けて使用したり、手入れや保守が十分でないまま使用した場合には、データが異なることがあります。このような相違により、作業時間全体で曝露値が著しく高くなる可能性があります。曝露値を正確に予測するためには、本体のスイッチをオフにしている時間や、本体が作動していても実際には使用していない時間も考慮しなければなりません。このような相違により、作業時間全体で曝露値が著しく低くなる可能性があります。作業者を騒音および / または振動による影響から保護するために、他にも安全対策を立ててください (例：電動工具およびの先端工具の手入れや保守、手を冷やさないようにする、作業手順の計画を立てる)。

騒音について

サウンドパワーレベル (L_{WA})	106 dB(A)
サウンドパワーレベルの不確実性 (K_{WA})	3 dB(A)
サウンドプレッシャーレベル (L_{pA})	95 dB(A)
サウンドプレッシャーレベルの不確実性 (K_{pA})	3 dB(A)

振動について

ハツリ作業 ($a_{n, Cheq}$)	6.9 m/s ²
不確実性 (K)	1.5 m/s ²



4.2 延長コードを使用する場合

警告

損傷したコードによる危険！ 作業中に電源コードまたは延長コードを損傷した場合は、コードに触れないでください。不意に始動しないように電源プラグをコンセントから抜きます。

▶ 本体の電源コードを定期的に点検し、コードに損傷がある場合は認定を受けた修理スペシャリストに交換させてください。

- 使用目的に応じて、十分な導体断面積をもつ適切な延長コードのみを使用してください。そうしないと、本体の出力低下やコードの過熱が発生することがあります。
- 延長コードに損傷がないか定期的に点検してください。
- 損傷した延長コードは交換してください。
- 屋外工事の場合には、認可マーク付きの専用延長コードのみを使用してください。

本書の最終ページに、推奨最低導体断面積とコード長に関する QR コードがあります。

5 作業準備

注意

負傷の危険！ 製品は意図せず動作することがあります。

▶ 本体の設定やアクセサリの交換を行う前に電源プラグを抜いてください。

本書および製品に記載されている安全上の注意と警告表示に注意してください。

5.1 先端工具



本製品には、必ず**TE-H** 接続エンド付きの**Hilti** チゼルを使用してください。

他のチゼルは正しくロックできず、チャックロックスリーブの黄色の警告リングが見える状態に留まります。このリングは、先端工具が電動ハツリ機に適していないことを表しています。

▶ ご使用になる前にその都度、チャックロックスリーブの黄色の警告リングが見えなくなっていることを確認してください。

5.2 先端工具を装着する



先端工具の使用に先立ち、その都度損傷および不均等な摩耗のないことを点検し、必要に応じて先端工具を交換してください。

1. 先端工具のコネクションエンドにグリスを軽く塗布します。
2. **TE-H**- 接続エンド付きのチゼルを、ロック音が聞こえ、黄色の警告リングが見えなくなるまでチャックに挿入してください。
3. 先端工具を引っ張り、しっかりと固定されているか確認します。



必ず**Hilti** の純正グリスを使用してください。適切でないグリスを使用すると、製品の損傷の原因となることがあります。

5.3 接続可能な電源コードを接続する

注意

負傷の危険 電気接点汚れていると漏れ電流が発生して負傷の危険があります。

▶ 脱着式電気プラグは、必ず汚れがなく、乾燥した通電のない状態で電動工具に接続してください。

1. コーディングされた脱着式電気プラグを本体のストップ位置まで、ロックの作動音が聞こえるまで差し込みます。
2. 電源プラグをコンセントに差し込みます。



Hilti は、接続可能な電源コードを常に工具に接続したままにしておくことをお勧めします。接続可能な電源コードは、破断 / 損傷の場合にのみ引き抜くようにしてください。




6 作業

警告

損傷したコードによる危険！ 作業中に電源コードまたは延長コードを損傷した場合は、本体とコードを直ちに電源との接続を解除してください。故障箇所には触れないでください！

- ▶ すべての接続コードを定期的に点検してください。故障している延長コードは交換してください。損傷している電源コードは認定を受けた修理スペシャリストに交換を依頼してください。


原則として、作動電流が最大 30 mA の漏電遮断器 (RCD) をご使用になるよう推奨します。

6.1 電動ハツリ機をスタートさせる 

1. グリップのシーソースイッチを完全に握り込みます。
 - ▶ 電動ハツリ機がスタートします。
2. 作業中は、シーソースイッチ (ON/OFF スイッチ) を押し続けてください。
 - ▶ グリップを握り込むことで、機器の出力を制御することができます。



1分を超過して作業を休止する場合は、機器は最初の位置に戻ります。再スタートするには、グリップとシーソースイッチ (ON/OFF スイッチ) を再び完全に握り込みます。

6.2 ハツリ作業 

チゼルは 6 つの異なる位置に (60° ステップで) 調整することができます。これによってコールドチゼルでもスケーリングチゼルでも、最適の角度で作業できます。

1. 電源プラグをコンセントに差し込みます。
2. チゼルの端部から約 80...100 mm (3 $\frac{1}{8}$ "...4") の位置に当てます。
3. グリップのシーソースイッチを完全に握り込みます。
4. ハツリ作業を開始する場合は、コンクリート表面から 90° の角度に傾け、チゼル先端を母材の端に向けます。続いて角度を 70° ... 80° にして、母材を除去します。
 - ▶ 鉄筋での作業の際は常にチゼルを母材の端に向かって移動させ、鉄筋の方向へは向けないでください。



低温での作業：

打撃機構を作動させるためには、本体温度が最低運転温度に達している必要があります。この温度まで上げるには、本体を短時間母材に当てて本体をアイドル回転させます。必要であれば、打撃機構が起動するまでこの動作を繰り返します。

6.3 先端工具を取り外す **警告**

負傷の危険 先端工具は使用することで熱くなり、またエッジが鋭くなっている場合があります。

- ▶ 先端工具の交換時には保護手袋を着用してください。

1. 電源プラグをコンセントから抜きます。
2. チャックロックスリーブをストップ位置まで戻します。
3. 先端工具を取り外します。
4. **注意！** 熱くなっている先端工具を引火性の高い物質の上に置かないでください。

6.4 接続可能な電源コードを電動工具から外す

1. 電源プラグをコンセントから抜きます。
2. ロックボタンを押し、コーディングされた脱着式電気プラグを引き抜きます。
3. 電源コードを本体から抜きます。



Hilti は、接続可能な電源コードを常に工具に接続したままにしておくことをお勧めします。接続可能な電源コードは、破断 / 損傷の場合にのみ引き抜くようにしてください。



7 手入れと保守

警告

感電による危険！ 電源プラグをコンセントに接続した状態で手入れや保守を行うと、重傷事故および火傷の危険があります。

- ▶ 手入れや保守作業の前に、必ず電源プラグをコンセントから抜いてください。

手入れ

- 強固に付着した汚れは慎重に除去してください。
- 通気溝を乾いたブラシで入念に清掃してください。
- ハウジングは必ず軽く湿らせた布で清掃してください。シリコンを含んだ清掃用具はプラスチック部品をいためる可能性があるので使用しないでください。

保守

警告

感電による危険！ 電気部品の誤った修理は、重傷事故および火傷の原因となることがあります。

- ▶ 電気部品の修理を行うことができるのは、訓練された修理スペシャリストだけです。
- 目視確認可能なすべての部品について損傷の有無を、操作エレメントについては問題なく機能することを定期的に点検してください。
- 損傷および / または機能に問題のある場合は、本製品を使用しないでください。直ちにHilti サービスセンターに修理を依頼してください。
- 手入れおよび保守作業の後は、すべての安全機構を取り付けて機能を点検してください。



安全な作動のために、必ず純正のスペアパーツと消耗品を使用してください。本製品向けに弊社が承認したスペアパーツ、消耗品およびアクセサリは、弊社営業担当またはHilti Storeにお問い合わせいただくか、あるいはwww.hilti.groupでご確認ください。

8 搬送および保管

搬送

- ▶ 本製品は先端工具を装着した状態で搬送しないでください。
- ▶ 搬送の際に確実に固定されているか確認してください。
- ▶ 搬送の後にはその都度、目視確認可能なすべての部品について損傷の有無を、操作エレメントについて問題なく機能することを点検してください。

保管上の注意事項

- ▶ 本製品は、必ず電源プラグを抜いた状態で保管してください。
- ▶ 本製品は、乾燥している場所に、子供や権限のない人が手を触れることのないようにして保管してください。
- ▶ 長期にわたっての保管の後には、目視確認可能なすべての部品について損傷の有無を、操作エレメントについて問題なく機能することを点検してください。

8.1 搬送ワゴンによる搬送

警告

重量物による負傷の危険 電動ハツリ機は重量物です。

- ▶ 可能な限り搬送ワゴンを使用してください。搬送ワゴンを使用できない場合は、電動ハツリ機は必ず2人で搬送してください。



搬送ワゴンは傾斜面に置かないでください。

搬送ワゴンは安定した場所に置くよう、十分注意してください。
搬送経路の安全に注意してください。

1. 電動ハツリ機を搬送ワゴンの工具位置決めピンに取り付けます。
2. 搬送中は、電動ハツリ機を固定フレームで固定します。
3. チゼルをロック位置まで消耗品ホルダーに差し込みます。



9 故障時のヒント

この表に記載されていない、あるいはご自身で解消することのできない故障が発生した場合には、弊社営業担当またはHilti サービスセンターにご連絡ください。

9.1 故障かな? と思った時

故障	考えられる原因	解決策
電動ハツリ機が始動しない。	電子回路の初期化を実行中(プラグ接続後約4秒まで)	▶ 本体をオフにして、再びオンにしてください。
	主電源が供給されていない	▶ 他の電動工具を接続して機能を点検してください。
	電源遮断後、電子式始動インターロックがアクティブになっている	▶ 本体をオフにして、再びオンにしてください。
	発電機がスリープモード	▶ 発電機に別の電気負荷(ランプ等)をかけます。続いて本体をオフにし、再びオンにしてください。
	接続可能な電源コードが正しく接続されていない	▶ 接続可能な電源コードを電動工具に正しく接続してください。
サービスインジケータが赤色で点灯する。	本体が損傷しているか、あるいは作動時間がサービス期限に達している	▶ 本製品の修理は、必ずHilti サービスセンターに依頼してください。
サービスインジケータが赤色で点滅する。	一時的な症状	▶ 点滅が終わるまで10秒間お待ちください。 ▶ 10秒が経過しても点滅が終了しない場合は、電源プラグを引き抜いて2分間お待ちください。 ▶ 点滅が終了しない場合は、本製品をHilti サービスセンターにお送りください。
	供給電源の電圧が高すぎる	▶ 別のコンセントに接続してください。電源を点検してください。
スタンバイインジケータが緑色で点滅する。	過熱保護機構	▶ 製品を冷ましてください。 ▶ 通気溝を清掃してください。アイドリングでの運転は可能です。
打撃がない。	本体温度が低すぎる	▶ 電動ハツリ機を母材に接触させて、アイドリング回転させてください。打撃機構が始動するまでこれを繰り返してください。
電動ハツリ機の打撃の周波数が著しく低い。	空打撃(チゼルが硬い母材上で打撃を行わない)	▶ スイッチから指を放し、機械を新たに起動させるか、あるいは: ▶ スイッチを押した状態で、グリップも完全に押し込みます。
電動ハツリ機が始動しない、または作動中にオフになる。	延長コードが長すぎる、または導体断面積が小さすぎる	▶ 許容された長さの十分な導体断面積を持つ延長コードを使用してください。

10 廃棄

Hilti 製品の大部分の部品はリサイクル可能です。リサイクル前にそれぞれの部品は分別して回収されなければなりません。多くの国でHiltiは、古い電動工具をリサイクルのために回収しています。詳細については弊社営業担当またはHilti 代理店・販売店にお尋ねください。





▶ 電動工具、電子機器およびバッテリーを一般ゴミとして廃棄してはなりません！

11 RoHS (有害物質使用制限に関するガイドライン)

下記のリンクより、有害物質を記載した表を確認できます : qr.hilti.com/r11668382.
本書の最終ページに RoHS 表にリンクした QR コードがあります。

12 メーカー保証

▶ 保証条件に関するご質問は、最寄りの Hilti 代理店・販売店までお問い合わせください。

오리지널 사용 설명서

1 문서 관련 기사사항

1.1 본 문서에 대해

- 처음 사용하기 전에 본 문서 전체를 읽으십시오. 안전하게 작업하고 문제 없이 취급하기 위한 전제가 됩니다.
- 본 문서 및 제품에 나와 있는 안전 지침 및 경고 지침에 유의하십시오.
- 항상 제품에 있는 사용 설명서를 잘 보관하고 제품은 반드시 본 지침과 함께 다른 사람에게 전달하십시오.

1.2 기호 설명

1.2.1 경고사항

본 제품을 다루면서 발생할 수 있는 위험에 대한 경고사항. 다음과 같은 시그널 워드가 사용됩니다.



위험

위험!

- ▶ 이 기호는 직접적인 위험을 표시합니다. 만약 지키지 않으면 심각한 부상을 당하거나 사망할 수도 있습니다.



경고

경고!

- ▶ 이 기호는 잠재적인 위험을 표시합니다. 만약 지키지 않으면 심각한 부상을 당하거나 사망할 수도 있습니다.



주의

주의!

- ▶ 이 기호는 잠재적인 위험 상황을 표시합니다. 만약 지키지 않으면 부상 또는 물적 손실을 입을 수 있습니다.

1.2.2 문서에 사용된 기호

본 문서에서 사용되는 기호는 다음과 같습니다.



사용하기 전에 사용설명서를 읽으십시오.



적용 지침 및 기타 유용한 사용정보



재사용이 가능한 자재 취급방법



전기 기기 및 배터리를 일반 가정의 쓰레기처럼 폐기해서는 안 됨



1.2.3 그림에 사용된 기호

다음과 같은 기호가 그림에 사용됩니다.

	이 숫자는 본 설명서의 첫 부분에 있는 해당 그림을 나타냅니다.
3	매겨진 숫자는 작업 단계의 순서를 나타내며, 텍스트에 매겨진 작업 단계와 차이가 있을 수 있습니다.
	항목 번호는 개요 그림에서 사용되며, 제품 개요 단락에 나와 있는 기호 설명 번호를 나타냅니다.
	이 표시는 제품을 다룰 때, 특별히 주의할 사항을 나타냅니다.

1.3 제품에 사용된 기호

1.3.1 제품에 사용된 기호

다음과 같은 기호가 제품에 사용됩니다.

	보호 등급 II(이중 절연)
	크레인 운반 금지
	무선 데이터 전송

1.4 제품 정보

HILTI 제품은 전문가용으로 설계되어 있으며, 해당 교육을 이수한 공인된 작업자를 통해서만 조작, 유지 보수 및 수리 작업을 진행할 수 있습니다. 이 기술자는 발생할 수 있는 위험에 대해 특별 교육을 받은 상태여야 합니다. 교육을 받지 않은 사람이 제품을 부적절하게 취급하거나 규정에 맞지 않게 사용할 경우에는 기기와 그 보조기구에 의해 부상을 당할 위험이 있습니다.

형식 명칭 및 일련 번호는 형식 라벨에 제시되어 있습니다.

- ▶ 일련 번호를 다음의 표에 옮기십시오. 대리점 또는 서비스 센터에 문의할 경우 제품 제원이 필요합니다.

제품 제원

브레이커	TE 3000-AVR
세대	03
일련 번호	

1.5 적합성 선언

페사는 전적으로 책임을 지고 여기에 기술된 제품이 통용되는 기준과 규격에 일치함을 공표합니다. 적합성 증명서 사본은 본 문서 끝 부분에서 확인할 수 있습니다.

기술 문서는 이곳에 기술되어 있습니다.

Hilti Entwicklungsgesellschaft mbH | Zulassung Geräte | Hiltistraße 6 | 86916 Kaufering, DE

2 안전

2.1 전동 공구에 대한 일반적인 안전상의 주의사항

⚠ 경고 해당 전동 공구와 함께 동봉된 모든 안전상의 주의 사항, 지침, 그림 및 기술자료를 숙지하십시오. 다음과 같은 지침 내용을 준수하지 않으면 전기 충격, 화재가 발생하거나 그리고/또는 중상을 입을 수 있습니다. 앞으로 모든 안전상의 주의사항과 지침을 보관하십시오.

안전상의 주의사항에서 사용되는 "전동 공구"라는 개념은 전원에 연결하여 사용하는 전동 공구(전원 케이블 있음) 또는 배터리를 사용하는 전동 공구(전원 케이블 없음)를 의미합니다.

작업장 안전수칙

- ▶ 작업장을 항상 깨끗이 하고 조명이 잘 들도록 하십시오. 어수선한 작업환경 또는 어두운 작업장은 사고를 초래할 수 있습니다.
- ▶ 인화성 액체, 가스 또는 먼지가 있어 폭발 위험이 있는 환경에서는 전동 공구를 사용하지 마십시오. 전동 공구는 먼지나 증기를 점화시킬 수 있는 스파크를 일으킵니다.
- ▶ 전동 공구를 사용할 때, 어린이들이나 다른 사람들이 작업장에 접근하지 못하도록 하십시오. 다른 사람의 방해로 인해 기기를 통제하기 어렵습니다.



전기에 관한 안전수칙

- ▶ 전동 공구의 전원 플러그가 소켓에 잘 끼워져야 합니다. 플러그를 절대 변형시켜서는 안됩니다. 접지된 전동 공구와 함께 아답타 플러그를 사용하지 마십시오. 변형되지 않은 플러그와 적합한 소켓을 사용하면 감전의 위험을 줄일 수 있습니다.
- ▶ 파이프, 히터, 전기레인지, 냉장고와 같은 접지 표면에 신체 접촉을 피하십시오. 신체에 닿을 경우 감전될 위험이 높습니다.
- ▶ 전동 공구가 비에 맞지 않도록 하고 습한 장소에 두지 마십시오. 전동 공구에 물이 들어가면 감전될 위험이 높습니다.
- ▶ 전원 케이블만 잡고 전동 공구를 운반하거나 걸어 놓아서는 안되며, 소켓에서 전원 플러그를 빼낼 때 케이블만 잡은 채로 빼내지 마십시오. 전원 케이블이 열, 오일, 날카로운 모서리 또는 부품의 가동 부위에 접촉하지 않도록 주의하십시오. 손상되거나 서로 꼬인 전원 케이블은 감전 위험을 높입니다.
- ▶ 실외에서 전동 공구를 이용하여 작업할 때, 실외용으로 승인된 연장 케이블만 사용하십시오. 실외용 연장 케이블을 사용하면 감전의 위험을 줄여줍니다.
- ▶ 전동 공구를 습한 환경에서 사용하는 것을 피할 수 없을 경우, 누전 차단기를 사용하십시오. 누전 차단기를 사용하면 감전 위험을 줄일 수 있습니다.

사용자 안전수칙

- ▶ 신중하게 작업하십시오. 작업에 정신을 집중하고 전동 공구를 사용할 때 경솔하게 행동하지 마십시오. 피곤하거나 항정신성 약물, 술 또는 약물 복용시에는 전동 공구를 사용하지 마십시오. 전동 공구 사용 시 이에 유의하지 않을 경우 심각한 부상을 초래할 수 있습니다.
- ▶ 안전 장비를 갖추고 보관용을 착용할 때, 실외용으로 승인된 연장 케이블만 사용하십시오. 실외용 연장 케이블을 사용하면 감전의 위험을 줄여줍니다.
- ▶ 실수로 기기가 작동하지 않도록 주의하십시오. 전동 공구를 전원 그리고/또는 배터리에 연결하기 전, 보관 또는 운반 전에 전동 공구가 스위치 OFF 상태인지 확인하십시오. 전동 공구 운반 시 스위치에 손가락을 대거나 스위치가 켜진 상태에서 전원을 연결하면 사고를 유발할 수 있습니다.
- ▶ 전동 공구의 스위치를 켜기 전, 조정공구 또는 렌치를 제거하십시오. 기기 회전자에 남아있는 공구나 렌치로 인해 부상을 입을 수 있습니다.
- ▶ 작업 시 비정상적인 자세는 피하십시오. 안전한 작업자세가 되도록 하고, 항상 균형을 유지하십시오. 이렇게 하여 예기치 않은 상황에서도 전동 공구를 잘 제어할 수 있습니다.
- ▶ 적합한 작업복을 착용하십시오. 헐렁한 복장이나 장식품을 착용하지 마십시오. 작동하는 기기 가동 부위에 머리, 옷 그리고 장갑이 가까이 닿지 않도록 주의하십시오. 헐렁한 복장, 장식품 혹은 긴 머리가 가동 부위에 말려 들어갈 수 있습니다.
- ▶ 먼지 제거장치나 수거장치를 설치할 수 있는 기기의 경우, 이 장치들이 연결되어 있는지 그리고 제대로 작동되는지를 확인하십시오. 먼지 포집장치 사용은 먼지로 인한 위험을 줄여줄 수 있습니다.
- ▶ 이 전동 공구를 여러번 사용해왔다고 해서 안전하다고 안심하지 말고 전동 공구에 해당되는 안전 규칙을 무시하지 마십시오. 부주의하게 행할 경우 아주 짧은 순간에 중상을 입을 수 있습니다.

전동 공구의 취급과 사용

- ▶ 기기에 과부하가 걸리지 않도록 하십시오. 귀하의 작업에 적합한 전동 공구를 사용하십시오. 적합한 전동 공구를 사용하면, 지정된 성능 한도 내에서 더 효율적으로 안전하게 작업할 수 있습니다.
- ▶ 스위치가 고장난 전동 공구는 사용하지 마십시오. 스위치가 작동되지 않는 전동 공구는 위험하므로, 반드시 수리를 해야 합니다.
- ▶ 기기 세팅을 실행, 액세서리를 교환 또는 기기를 보관하기 전에 컨택터를 전원소켓에서 그리고/또는 탈착식 배터리를 기기에서 빼놓으십시오. 이러한 조치는 실수로 전동 공구가 작동하지 않도록 방지합니다.
- ▶ 사용하지 않는 전동 공구는 어린이들의 손이 닿지 않는 곳에 보관하십시오. 기기 사용에 익숙치 않거나 또는 이 안전수칙을 읽지 않은 사람이 기기를 사용해서는 안 됩니다. 비숙련자가 전동 공구를 사용하면 위험합니다.
- ▶ 전동 공구 및 액세서리를 유의해서 관리하십시오. 기기의 가동 부위가 완벽하게 작동하는지, 끼어 있지 않은지, 혹은 부품이 손상되거나 파손되어 있어 전동 공구의 기능을 저하시키지 않는지 점검하십시오. 기기 사용 전 손상된 부품을 수리하도록 하십시오. 제대로 관리되지 않은 전동 공구는 많은 사고를 유발합니다.
- ▶ 절단기기는 날카롭고 깨끗하게 관리하십시오. 날카로운 절단면이 있고 잘 관리된 절단기기는 끼이는 경우가 드물고 조절하기도 쉽습니다.
- ▶ 본 지침에 따라 전동 공구, 액세서리, 공구 비트 등을 사용하십시오. 이 때 작업 조건과 실시하려는 작업 내용을 고려하십시오. 원래 사용 분야가 아닌 다른 작업에 전동 공구를 사용할 경우, 위험한 상황을 초래할 수 있습니다.
- ▶ 손잡이 및 손잡이 표면은 건조하고 깨끗하게, 그리고 오일과 그리스가 묻어있지 않도록 해야 합니다. 미끄러운 손잡이 및 손잡이 표면은 예상치 못한 상황에서 전동 공구를 안전하게 조작하고 제어할 수 없습니다.

서비스

- ▶ 전동 공구는 반드시 자격을 갖춘 전문가에 의해 그리고 순정 대체부품만 이용하여 수리해야 합니다. 이렇게 하여 전동 공구의 안전성을 계속해서 유지할 수 있습니다.



2.2 해머에 대한 안전상의 주의사항

모든 작업에 대한 안전상의 주의사항

- ▶ 귀마개를 착용하십시오. 극심한 소음은 청각 상실을 유발할 수 있습니다.
- ▶ 기기와 함께 공급된 보조 손잡이를 사용하십시오. 기기를 제어하지 못하면 부상을 입을 수 있습니다.
- ▶ 공구 비트가 숨겨진 전선이나 기기 자체의 전원 케이블과 접촉할 수 있는 작업을 할 경우, 항상 기기의 절연된 손잡이 부분을 잡으십시오. 전류가 흐르는 전선과 접촉하면 전동공구의 금속 부위를 통해 감전이 될 수도 있습니다.

2.3 그 외의 안전상의 주의사항

사용자 안전수칙

- ▶ 기술적 하자가 없는 상태에서만 제품을 사용하십시오.
- ▶ 어떠한 경우에도 제품을 조작하거나 개조하지 마십시오.
- ▶ 천공 작업 시, 작업할 부분의 반대편이 안전하도록 조치를 취하십시오. 발생하는 분쇄물이 빠져 나오거나 또는 떨어지면서 다른 사람이 부상을 입을 수 있습니다.
- ▶ 측면 손잡이가 정확하게 설치되고 올바르게 고정되어 있는지 확인하십시오. 항상 양손으로 제품의 손잡이를 잡고 공구를 고정시키십시오. 손잡이는 건조하고 깨끗하게, 그리고 오일과 그리스가 묻어있지 않도록 해야 합니다.
- ▶ 본 제품에는 TE-H 커넥터 끝부위가 적용된 Hilti 치출만 사용하십시오.
- ▶ 수평 위치에서 공구를 이용해서만 치출을 교환하십시오. 절대 수직 위치에서 교환하지 마십시오.
- ▶ 척 아담타가 맞물려 고정되는 소리가 들리고 황색 경고 링이 더 이상 눈에 띄지 않을 때까지 치출을 척 아담타에 끼우십시오.
- ▶ 치출이 제대로 맞물려 고정되었는지 점검하십시오. 유의사항: 치출이 제대로 고정되지 않으면 위험한 상황을 초래할 수 있습니다!
- ▶ 본 제품은 작업 위치에서만 작업을 시작하고, 운반 위치에서는 작업을 진행하지 마십시오!
- ▶ 손가락의 혈액순환이 잘 되도록 하기 위해 휴식시간 동안 손가락 운동을 하십시오. 장시간 작업하면 진동으로 인해 혈관 장애 또는 손가락, 손 및 손목의 신경 체계에 이상이 있을 수 있습니다.
- ▶ 본 제품은 어린이나 노약자 또는 관련 교육을 받지 않은 사람이 사용할 수 없습니다.
- ▶ 어린이 손에 닿지 않는 곳에 보관하십시오.
- ▶ 작업을 시작하기 전, 작업 시 발생하는 먼지의 위험 등급을 알아보십시오. 해당 국가의 먼지 방지 규정에 적합하며, 공식적으로 허용된 보호 등급의 산업용 진공 청소기만을 사용하십시오.
- ▶ 가능하면 먼지 포집장치 및 적합한 이동식 먼지 흡인기를 사용하십시오. 납이 함유된 도료, 일부 목재, 콘크리트/조적벽돌/수정을 함유한 암석 및 금속과 같은 광물질로부터 나오는 먼지는 건강에 해로울 수 있습니다.
- ▶ 작업장을 잘 환기시키고 먼지의 종류에 따라 필요 시 보호마스크를 착용하십시오. 먼지를 흡입하거나 만질 경우, 사용자 또는 근처에 있는 사람에게 기관지 질병이나 알레르기 반응이 나타날 수 있습니다. 딱딱나 무 입자 또는 너도밤나무 입자와 같은 특정 종류의 먼지는, 특히 목재 처리용으로 사용하는 첨가제(크롬산염, 목재 부식 방지제)와 결합하여 암을 일으킬 수 있습니다. 석면 물질은 전문기술자만 다룰 수 있습니다.

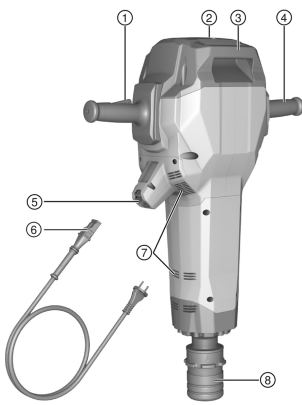
전기에 관한 안전수칙

- ▶ 작업을 시작하기 전에, 작업장에서 가려져 있거나 덮혀 있는 전기 배선, 가스 파이프 그리고 하수도관이 있는지를 점검하십시오. 실수로 전기 케이블을 손상시킨 경우, 기기 바깥쪽에 있는 금속 부품에서 전기 쇼크를 일으킬 수 있습니다.
- ▶ 제품의 연결 케이블을 정기적으로 점검하고, 손상이 있을 경우 자격을 갖춘 전문 기술자가 교체하도록 하십시오. 전동 공구의 전원 케이블이 손상되었을 경우, 서비스 센터에서 판매되는 승인된 기기 전용 전원 케이블로 교체하십시오. 연장 케이블을 정기적으로 점검하고, 손상되었을 경우 이를 교체하십시오. 작업하는 동안 전원 케이블이나 연장 케이블이 손상되었을 경우에는 절대로 케이블을 만지지 마십시오. 전원 플러그를 소켓에서 빼십시오. 손상된 전원 케이블과 연장 케이블은 전기 쇼크로 인한 위험을 유발할 수 있습니다.
- ▶ 전도성이 있는 소재에서 자주 작업할 경우, 오염된 전동 공구를 정기적으로 Hilti 서비스 센터에서 점검받으십시오. 특히 전도성이 있는 재료에서 기기의 표면에 달라 붙어있는 먼지나 습기는 작업자의 기기조작을 어렵게 하며, 부적절한 조건하에서는 전기 쇼크까지도 일으킬 수 있습니다.
- ▶ 전원이 차단되었을 경우, 전동 공구의 전원을 끄고 전원 플러그를 빼내십시오. 이는 전원이 다시 공급되었을 때 제품이 갑자기 시동되는 것을 방지하기 위함입니다.



3 제품 설명

3.1 제품 개요 1



- ① ON/OFF 스위치가 포함된 손잡이
- ② 서비스 표시기
- ③ 운반용 손잡이
- ④ 손잡이
- ⑤ 전원 케이블 컨넥터
- ⑥ 컨넥터가 코딩된 전원 케이블
- ⑦ 환기 슬롯
- ⑧ 척 어댑터

3.2 이동식 카트 개요 2

- ① 손잡이
- ② 적재 안전장치
- ③ 잠금 브래킷
- ④ 소모품용 홀더(치즐)
- ⑤ 휠
- ⑥ 휠 안전장치(와셔, 코터 핀)
- ⑦ 기기 맨드릴
- ⑧ 운반용 손잡이

3.3 규정에 적합한 사용

기술된 제품은 28 mm 육각 척 아답타가 적용된 소형 브레이크입니다. 이 제품은 콘크리트, 조적벽돌 및 아스팔트의 치즐링 작업에 적합합니다. 파쇄 작업 및 새기는 작업을 위한 용도로도 사용 가능합니다.

▶ 형식 라벨에 제시되어 있는 정격 전압과 정격 주파수로만 기기를 작동시켜야 합니다.

3.4 잘못 사용할 수 있는 경우

본 제품은 건강에 유해한 물질을 가공하는 데 적합하지 않습니다.
본 제품은 습한 환경에서 작업하는 데 적합하지 않습니다.

3.5 서비스 표시기

브레이크에 램프 신호를 갖춘 서비스 표시기가 장착되어 있습니다.

상태	의미
서비스 표시기가 적색으로 점등됨.	<ul style="list-style-type: none"> • 서비스 받을 시점에 도달하였음. 제품을 Hilti 서비스 센터로 가져오십시오. • 기기 손상. 제품을 Hilti 서비스 센터로 가져오십시오.
서비스 표시기가 적색으로 깜박임.	<ul style="list-style-type: none"> • 일시적인 오류. 깜박임이 멈출 때까지 10초 정도 기다리십시오. • 깜박이는 현상이 10초 후에도 멈추지 않는 경우, 전원 플러그를 빼낸 후 2분 간 기다리십시오. • 깜박임이 멈추지 않을 경우, 제품을 Hilti 서비스 센터로 가져오십시오.
작동준비상태 표시기가 녹색으로 깜박임.	<ul style="list-style-type: none"> • 과열 방지 장치. • 제품을 냉각시키십시오.
작동준비상태 표시기가 녹색으로 점등됨.	제품을 다시 작동할 수 있습니다.



i 제품을 Hilti 서비스 센터로 가져오십시오. 이렇게 하면 제품을 항상 작동 가능한 상태로 유지할 수 있습니다.

3.6 Active Vibration Reduction

본 제품은 진동을 현저하게 줄여주는 Active Vibration Reduction (AVR) 시스템이 장착되어 있습니다.

3.7 공급품목

브레이커, 사용 설명서, 그리스.
이동식 카트는 옵션으로 제공됩니다.

i 해당 제품에 허용되는 기타 시스템 제품은 **Hilti Store** 또는 다음 사이트에서 확인할 수 있습니다.
www.hilti.group

4 기술자료

i 정격 전압, 정격 전류, 주파수 그리고/또는 정격 출력은 국가별 형식 라벨을 참조하십시오.

발전기 또는 변압기에서 작동할 경우, 발전기 및 변압기의 공급출력이 본 기기의 형식 라벨에 적힌 정격 출력보다 최소 두 배 이상 높아야 합니다. 변압기 및 발전기의 작동 전압은 항상 기기의 정격 전압의 +5% ~ -15% 사이에 위치해야 합니다.

	TE 3000-AVR
EPTA-Procedure 01에 따른 무게	27.1kg
EPTA-Procedure에 따른 1회 타격 에너지	85J
보관 온도	-20 °C ... 70 °C
작동 시 주변 온도	-20 °C ... 55 °C

4.1 EN 60745에 따른 소음 정보 및 진동값

이 지침에 제시된 음압 및 진동수준은 표준화된 측정방법에 따라 측정된 것이며, 전동공구를 서로 비교하기 위한 용도로 사용할 수 있습니다. 음압 및 진동 수준은 노출 정도를 사전에 예측하는 데에도 유용하게 사용할 수 있도록 설계되어 있습니다. 제시된 데이터는 전동공구의 주된 용도를 나타냅니다. 그러나 전동공구를 다른 용도로 사용하거나 다른 공구 비트를 사용할 경우 또는 유지보수를 충분히 하지 않은 상태에서는 데이터에 편차가 있을 수 있습니다. 이러한 경우 전 작업시간에 걸쳐 노출이 현저하게 증가할 수 있습니다. 노출을 정확하게 평가하기 위해서는 기기 작동이 멈춰 있거나 또는 작동 중이지만 실제로는 사용하지 않는 시간도 고려해야 합니다. 이러한 경우 전 작업시간에 걸쳐 노출이 현저하게 감소할 수 있습니다. 사용자를 보호하기 위해 음파 그리고/또는 진동이 작용하기 전에 다음과 같은 추가적인 안전 조치를 취하십시오. 전동공구와 공구 비트의 유지보수, 손을 따뜻하게 유지, 작업순서 정하기 등.

소음정보

소음 수준 (L_{WA})	106dB(A)
소음 수준 허용공차 (K_{WA})	3dB(A)
소음 수준 (L_{pA})	95dB(A)
음압 수준 허용공차 (K_{pA})	3dB(A)

진동 정보

치질링 ($a_{h, Cheq}$)	6.9m/s ²
허용공차 (K)	1.5m/s ²



4.2 연장 케이블의 사용

경고

손상된 케이블로 인한 위험! 작업하는 동안 전원 케이블이나 연장 케이블이 손상되었을 경우에는 절대로 케이블을 만지지 마십시오. 전원 플러그를 소켓에서 빼내십시오.

- ▶ 기기의 연결 케이블을 정기적으로 점검하고, 손상이 있을 경우 자격을 갖춘 전문가가 교환하도록 하십시오.
- 케이블의 단면적이 충분히 크고 해당 용도로 허용된 연장 케이블만을 사용하십시오. 그렇지 않을 경우 기기의 출력이 손실되거나 케이블이 과열될 수 있습니다.
- 연장 케이블의 손상 여부를 정기적으로 점검하십시오.
- 손상된 연장 케이블을 교체하십시오.
- 실외에서 작업할 때에는 실외용으로 표시되고 승인된 연장 케이블만 사용하십시오.

권장하는 최소 단면적과 케이블 최대 길이는 본 문서 끝부분에서 QR 코드 형식으로 확인할 수 있습니다.

5 작업 준비

주의

부상위험! 제품의 돌발적인 시동.

- ▶ 기기 설정 또는 액세서리를 교체하기 전에 전원 플러그를 당기십시오.

본 문서 및 제품에 나와 있는 안전 지침 및 경고 지침에 유의하십시오.

5.1 공구 비트



본 제품에는 **TE-H** 커넥터 끝부위가 적용된 **Hilti** 치즐만 사용하십시오.

다른 치즐은 제대로 잠기지 않으며, 공구 로크에 황색 경고 링이 계속 눈에 띄게 남아 있습니다. 경고 링은 공구 비트는 브레이커에 적합하지 않은 것으로 표시합니다.

- ▶ 사용하기 전에 항상 공구 로크에 있는 황색 링이 더 이상 눈에 띄지 않는지 확인하십시오.

5.2 공구 삽입



사용 전 항상 공구의 손상 여부와 마모 상태가 균등하지 않은지 점검하고, 필요한 경우 교환하십시오.

1. 드릴 샹크식 공구 비트를 가볍게 기름칠하십시오
2. **TE-H** 커넥터 끝부위가 적용된 척 아답타가 맞물려 고정되는 소리가 들리고 황색 경고 링이 더 이상 눈에 띄지 않을 때까지 치즐을 척 아답타에 끼우십시오.
3. 치즐을 잡아 당겨서 치즐이 정확하게 잠겼는지 점검하십시오.



Hilti의 순정 그리스만 사용하십시오. 적합하지 않은 그리스를 사용하면 제품이 손상될 수 있습니다.

5.3 전원 케이블 연결

주의

오염된 접점에서 누설 전류로 인한 부상 위험

- ▶ 깨끗하고, 건조하고, 전압이 흐르지 않는 상태에서만 분리식 전기 컨넥터를 전용 공구에 연결하십시오.

1. 분리식 플러그 전기 컨넥터를 기기 스톱 위치까지, 잠금 소리가 들릴 때까지 끼우십시오.
2. 전원 플러그를 소켓에 끼우십시오.



Hilti는 공구에 항상 플러그인 전원 케이블을 남겨두기를 권장합니다. 파손/손상된 경우에만 플러그인 전원 케이블을 빼내면 됩니다.



6 작업

경고

손상된 케이블로 인한 위험! 작업 시 전원 케이블 또는 연장 케이블이 손상된 경우, 즉시 기기 및 케이블을 전원에서 분리하십시오. 결함이 있는 부위를 만지지 마십시오!

- ▶ 정기적으로 모든 연결 배선을 점검하십시오. 결함이 있는 연장 케이블을 교환하십시오. 손상된 전원 라인 인 공인된 전문가를 통해 교환하십시오.

원칙적으로 최대 30 mA 작동전류의 누전 차단기 (RCD)를 사용하는 것을 권장합니다.

6.1 브레이커 시동

1. 손잡이 및 ON/OFF 스위치를 함께 끝까지 누르십시오.
 - ▶ 브레이커가 작동되기 시작합니다.
2. 작업하는 동안 ON/OFF 스위치를 누른 상태로 유지하십시오.
 - ▶ 그 외에도 손잡이를 끈까지 눌러 장비의 성능을 제어할 수 있습니다.



1분 이상 휴식하는 경우, 장비는 다시 초기 설정으로 되돌아갑니다. 재시작하려면 다시 손잡이 및 ON/OFF 스위치를 끝까지 눌러야 합니다.

6.2 치줄링 작업



치줄 각도를 (60° 단위로) 6가지의 다양한 위치에 둘 수 있습니다. 이를 통해 평치줄과 성형 치줄을 항상 최적의 작업위치에서 작동시킬 수 있습니다.

1. 전원 플러그를 소켓에 끼우십시오.
2. 치줄을 모서리에서 약 80-100 mm (3 1/8" - 4") 떨어진 거리에 두십시오.
3. 손잡이 및 ON/OFF 스위치를 끝까지 누르십시오.
4. 콘크리트 표면에 90°의 각도를 유지하여 치줄 작업을 시작하고, 끝이 모서리 쪽을 향하도록 하십시오. 그리고 나서 70° ~ 80° 각도로 뚫린 후 자재를 파쇄하십시오.
 - ▶ 보강철근의 경우 치줄은 항상 보강철근 쪽이 아닌, 자재의 모서리 쪽을 향하도록 하십시오.



저온에서 작업할 경우:

기기는 타격기구가 작동할 수 있을 정도까지의 최저 작동온도를 필요로 합니다. 최소 작동온도에 도달하기 위해서는, 기기를 잠시 땅바닥 위에 설치하고 공회전 속도로 작동시키십시오. 필요할 경우 타격기구가 작동할 때까지 이 과정을 반복하십시오.

6.3 공구 비트 분리

경고

부상위험 사용하는 동안 공구가 뜨거워지고 날카로운 모서리에 다칠 수 있습니다.

- ▶ 공구 교체 시 보호장갑을 착용하십시오.

1. 전원 플러그를 소켓에서 빼내십시오.
2. 공구 잠금장치를 스톱 위치까지 뒤로 당기십시오.
3. 공구 비트를 빼내십시오.
4. 주의! 가열된 공구를 인화되기 쉬운 소재 가까이에 두지 마십시오.

6.4 전동 공구에서 전원 케이블 분리

1. 전원 플러그를 소켓에서 빼내십시오.
2. 제동 버튼을 눌러 분리식 플러그 전기 커넥터를 빼내십시오.
3. 전원 케이블을 기기에서 당겨 빼십시오.



Hilti는 공구에 항상 플러그인 전원 케이블을 남겨두기를 권장합니다. 파손/손상된 경우에만 플러그인 전원 케이블을 빼내면 됩니다.



7 관리 및 유지보수

경고

감전 위험! 전원 플러그가 삽입된 상태에서 관리 및 수리 작업을 진행하면 중상 및 화상을 입을 수 있습니다.

- ▶ 관리 및 수리 작업을 진행하기 전에 항상 전원 플러그를 분리하십시오!

관리

- 공구에 부착된 오염물질을 조심스럽게 제거하십시오.
- 마른 솔로 환기 홀을 조심스럽게 청소하십시오.
- 하우징은 약간 물을 적신 천으로만 닦으십시오. 플라스틱 부품을 손상시킬 수 있으므로 절대로 실리콘이 함유된 보호제를 사용하지 마십시오.

유지보수

경고

감전으로 인한 위험! 전기 구성부품에서 부적절하게 수리하면 중상을 입거나 화재를 야기할 수 있습니다.

- ▶ 전기 부품은 반드시 전기 기술자가 수리하도록 해야 합니다.

- 눈에 보이는 모든 부품은 정기적으로 손상 여부를 점검하고 조작 요소가 아무 문제없이 작동하는지 점검하십시오.
- 손상되었거나 기능 장애가 있는 경우에는 제품을 작동하지 마십시오. 바로 Hilti 서비스 센터에서 수리받으십시오.
- 관리 및 수리 작업 후 모든 보호장치를 가져와 기능을 점검하십시오.

안전한 사용을 위해서 순정 예비 부품 및 소모품만을 사용하십시오. 해당 제품에 허용되는 예비 부품, 소모품 및 액세서리는 **Hilti Store** 또는 **www.hilti.group**에서 확인할 수 있습니다.

8 운반 및 보관

운반

- ▶ 본 제품은 공구가 끼워진 상태로 운반하지 마십시오.
- ▶ 운반 시 안전하게 고정되었는지 확인하십시오.
- ▶ 운반 후에는 항상 눈에 보이는 모든 부품의 손상 여부를 점검하고 조작요소가 아무 문제 없이 작동하는지 점검하십시오.

보관

- ▶ 본 제품은 항상 전원 플러그가 당겨진 상태로 보관하십시오.
- ▶ 본 제품은 건조한 상태로 보관하고 어린이 및 허용되지 않는 사람의 손에 닿지 않도록 하십시오.
- ▶ 장기간 보관 후에는 항상 눈에 보이는 모든 부품의 손상 여부를 점검하고 조작요소가 아무 문제 없이 작동하는지 점검하십시오.

8.1 이동식 카트를 이용한 운반

경고

무거운 중량으로 인한 부상위험 브레이커가 무겁습니다.

- ▶ 되도록 항상 이동식 카트를 사용하십시오. 이동식 카트를 사용할 수 없을 때는 두 명이서 브레이커를 운반하십시오.

이동식 카트를 경사면에 놓지 마십시오.
이동식 카트가 안정된 상태에 있도록 하십시오.
이송 경로에 문제점이 없는지 유의하십시오.

1. 브레이커를 이동식 카트의 기기 맨드릴에 놓으십시오.
2. 이동 중에 브레이커를 잠금 브래킷에 고정하십시오.
3. 차줄을 소모품 홀더의 래치 위치까지 끼우십시오.

9 문제 발생 시 도움말

본 도표에 제시되어 있지 않거나 스스로 해결할 수 없는 문제가 발생한 경우 Hilti 서비스 센터에 문의해 주십시오.



9.1 고장진단

장애	예상되는 원인	해결책
브레이커가 작동하지 않음.	전자 장치가 초기화됨(전원 공급장치 연결 후 약 4초 이내)	▶ 기기를 껐다가 다시 켜십시오.
	전원이 공급되지 않음.	▶ 다른 전동 공구를 끼워 기능을 점검하십시오.
	전원공급 중단 후에 전자식 작동급지가 활성화됨	▶ 기기를 껐다가 다시 켜십시오.
	발전기가 수면 모드에 있음.	▶ 발전기를 보조 전력 기기에 연결하십시오(예: 공사현장 전등). 그리고 나서 기기의 전원을 껐다가 다시 켜십시오.
	전원 케이블이 제대로 끼워지지 않음	▶ 전동 공구에 전원 케이블을 제대로 연결하십시오.
서비스 표시기가 적색으로 점등됨.	기기 손상 또는 서비스 받을 시점에 도달하였음	▶ 제품을 Hilti 서비스 센터에서 수리 받으시기 바랍니다.
서비스 표시기가 적색으로 깜박임.	일시적인 오류	▶ 깜박임이 멈출 때까지 10초 정도 기다리십시오.
		▶ 깜박이는 현상이 10초 후에도 멈추지 않는 경우, 전원 플러그를 빼낸 후 2분 간 기다리십시오.
	전원 전압이 너무 높음	▶ 깜박임이 멈추지 않을 경우, 제품을 Hilti 서비스 센터로 가져오십시오.
작동준비상태 표시기가 녹색으로 깜박임.	과열방지장치	▶ 제품을 냉각시키십시오. ▶ 환기 슬롯을 청소하십시오. 공회전 중에 작동이 아직 가능합니다.
타격이 되지 않음.	기기가 너무 차가움	▶ 브레이커를 모재로 가져와서 공회전 상태로 작동시키십시오. 필요한 경우 합마링 장치가 작동될 때까지 과정을 반복하십시오.
브레이커의 타격 빈도가 심하게 줄어듦.	타격 없음(딱딱한 모재에서 치출의 타격 없음)	▶ 스위치에서 손을 떼 후 기계의 작동을 다시 시작하거나 ▶ 스위치가 눌린 상태에서 손잡이를 끝까지 누르십시오.
브레이커가 작동하지 않거나 또는 작동중에 스위치 OFF됨.	연장 케이블이 너무 김 그리고 / 또는 심선 단면적이 너무 작음	▶ 허용된 길이로 된 연장 케이블 그리고 / 또는 단면적 크기가 충분한 심선을 사용하십시오.

10 폐기

Hilti 기기는 대부분 재사용이 가능한 소재로 제작되었습니다. 재활용을 위해 개별 부품을 분리하여 주십시오. **Hilti**는 대부분의 국가에서 재활용을 위해 노후기기를 수거해 갑니다. **Hilti** 고객 서비스센터 또는 판매 상담자에게 문의하십시오.



- ▶ 전동 공구, 전자식 기기 및 배터리를 일반 가정 쓰레기로 폐기하지 마십시오!

11 RoHS (유해물질 사용 제한 지침)

아래 링크에서 유해물질에 관한 도표를 확인할 수 있습니다. qr.hilti.com/r11668382.
RoHS 도표로 이어지는 링크는 본 문서 끝에 QR 코드 형식으로 제시되어 있습니다.



- ▶ 보증 조건에 관한 질문사항은 Hilti 파트너 지사에 문의하십시오。

原始操作說明

1 文件相關資訊

1.1 關於此文件

- 初次操作或使用前，請先詳讀此文件。本文件包含安全前提、疑難排解處理和產品使用。
- 請遵守本文件中與產品上的安全說明和警告。
- 操作說明應與產品一起保管，產品交予他人時必須連同操作說明一起轉交。

進口商: 喜利得股份有限公司

地址: 新北市板橋區

新站路16號24樓22041

電話: 0800-221-036

1.2 已使用的符號說明

1.2.1 警告

警告使用本產品的人員可能發生之危險。採用了以下標示文字：



危險

危險！

- ▶ 此標語警示會發生對人造成嚴重傷害甚至致死的危險情形。



警告

警告！

- ▶ 此標語警示會造成嚴重傷害甚至致死危險的潛在威脅。



注意

注意！

- ▶ 請小心會造成人員受傷或對設備及其他財產造成損害的潛在危險情況。

1.2.2 文件中的符號

本文件中採用以下符號：

	使用前請閱讀操作說明。
	使用說明與其他資訊
	處理可回收的材料
	不可將電子設備與電池當作家庭廢棄物處置

1.2.3 圖解中的符號

圖解中採用了以下符號：

	號碼對應操作說明的開始處的圖解
	編號代表圖解中的操作步驟順序，可能與內文中的步驟有所不同
	項目參考編號用於總覽圖解，並請參閱產品總覽章節中使用的編號





本符號是為了讓您在操作本產品時可以注意某些重點。

1.3 產品上的符號

1.3.1 產品上的符號

產品上會採用下列符號：

	防護等級II (雙重絕緣)
	不可使用起重機運送
	無線資料傳輸

1.4 產品資訊

HILTI 產品是針對專業使用者設計，故僅經訓練、認可的人員可操作、維修與維護本產品。必須告知上述人員關於可能遭遇到的特殊危險。若因未經訓練人員操作錯誤或未依照其原本的用途操作，則本產品和它的輔助工具設備有可能會發生危險。

類型名稱和序號都標示於額定銘牌上。

- 在下方表格中填入序號。與Hilti維修中心或當地Hilti機關聯絡查詢產品相關事宜時，我們需要您提供產品詳細資訊。

產品資訊

鑿破機	TE 3000-AVR
產品代別	03
序號	

1.5 符合聲明

基於我們唯一的責任，本公司在此聲明本產品符合適用的指示或標準。本文件結尾處有符合聲明之副本。

技術文件已歸檔：

Hilti Entwicklungsgesellschaft mbH | Tool Certification | Hiltistrasse 6 | 86916 Kaufering, Germany

2 安全性

2.1 一般電動機具安全警告

⚠ 警告 請詳閱本電動機具提供的所有安全警告、指示、圖解和說明。未能遵守以下所有指示可能會造成電擊事故、火災和/或嚴重的傷害。

妥善保存所有警示及說明，以供將來參考。

注意事項中的「機具」係指使用電源（有線）或電池（無線）的電動機具。

工作區域安全

- 請保持工作區的清潔與採光充足。雜亂而昏暗的工作區會導致意外發生。
- 勿在容易發生爆炸的環境中使用機具，例如有可燃性液體、瓦斯或粉塵存在的環境。機具產生的火花可能會引燃塵埃或煙霧。
- 操作機具時，請與兒童及旁人保持距離。注意力不集中時容易發生失控的情形。

電力安全

- 機具插頭與插座須能互相搭配。勿以任何方式改裝插頭。勿將任何變壓器插頭和與地面接觸（接地）的電動機具搭配使用。未經改裝的插頭以及能互相搭配的插座可減少發生電擊的危險。
- 避免讓身體接觸到如管線、散熱器、爐灶與冰箱等與土地或地表接觸之物品。如果您的身體接觸到地表或地面，將增加電擊的危險。
- 請勿將機具曝露在下雨或潮濕的環境中。若水氣進入機具中將增加觸電的危險。
- 勿濫用電纜線。勿以電纜線吊掛、拖拉機具或拔下機具插頭。電纜線應避開熱氣、油、銳利的邊緣或移動性零件。電纜線損壞或纏繞會增加發生電擊事故的危險。
- 於室外操作機具時，須使用適用於戶外的延長線。使用適合戶外使用的延長線可降低觸電的風險。
- 如果無法避免在潮濕的地點操作機具，請使用漏電斷路器（RCD）保護電源供應器。使用漏電斷路器（RCD）可降低電擊的風險。



人員安全

- ▶ 操作機具時，請提高警覺，注意進行中的工作並善用常識。感到疲勞或受到藥物、酒精或治療的影響時勿使用機具。操作機具時稍不留神就可能造成嚴重的人員傷亡。
- ▶ 穿戴個人防護裝備。請隨時穿戴眼罩。適當使用防塵面罩、防滑鞋、安全帽及耳罩等安全防護配備可減少人員的傷害。
- ▶ 避免不經意的啟動。在接上電源或電池組、抬起或攜帶機具之前，務必確認開關處於關閉的位置。攜帶機具時，如果把手指放在開關上，或在開關開啟時，將機具插上插頭容易發生意外。
- ▶ 啟動機具前，應將所有調整鑰匙或扳手移開。將扳手或鑰匙留在機具的旋轉零件中可能會造成人員傷害。
- ▶ 勿將手伸出過遠。隨時站穩並維持平衡。這可讓您在意外情況發生時，對機具有較好的控制。
- ▶ 穿著適當服裝。請勿穿著寬鬆的衣服或佩戴珠寶。頭髮、衣服與手套應遠離移動性零件。移動性零件可能會夾到寬鬆的衣服、珠寶或長髮。
- ▶ 如果機具可連接吸塵裝置與集塵設備，請連接並適當使用這些設備。使用集塵裝置可降低與粉塵有關的危險。
- ▶ 請勿因頻繁而習慣使用機具便疏於遵守或忽略機具的安全規範。草率使用可能在轉瞬間便造成嚴重的傷害。

機具使用與保養

- ▶ 不可強制使用機具。依據用途使用正確的機具。根據設計的速率使用機具可更快速安全地完成工作。
- ▶ 若開關無法啟動或關閉電動工具時，請勿使用電動工具。任何無法以開關控制的機具都很危險且需要維修。
- ▶ 在進行任何調整、更換配件、或貯放電動機具前，請先將插頭拔離插座和 / 或將電池組自電動機具卸下（如可拆卸）。此預防安全措施可降低機具意外啟動的風險。
- ▶ 將開置的機具貯放在兒童拿不到的地方，勿讓不熟悉或未詳閱本說明的人員操作本機具。機具在未經訓練的使用者手中是很危險的。
- ▶ 維護機具與配件。請檢查移動性零件有無偏移或黏合的情形、零件有無破損，以及任何會影響機具運轉的狀況。如果機具受損，請先維修後再使用。很多意外便是由維護不當的機具造成的。
- ▶ 保持切割機具的銳利與清潔。具銳利切割邊緣的切割機具如果得到適當的維護，便較不會發生黏合的現象，且較容易控制。
- ▶ 遵守本指示說明使用機具、配件和工具組等，並考量工作條件與待進行的工作。將機具用在原目的之外之用途可能會造成危險。
- ▶ 保持握把與其表面的乾燥、清潔且不要讓上面出現油漬。握把及其表面濕滑會在意外情況中造成機具無法安全掌控。

維修服務

- ▶ 請將機具交給合格的維修人員進行維修，並使用相同的替代零件。這可確保維護機具安全。

2.2 鎚擊安全警告

所有操作的安全說明

- ▶ 請配戴耳罩。暴露於噪音環境下會導致聽力受損。
- ▶ 請使用機具所提供的輔助握把（如有隨附）。機具失控可能會導致人員受傷。
- ▶ 當所進行的工作，其切割配件可能會碰觸到隱藏配線或其自身的電線時，請在操作時握住機具的絕緣握把。與「導電」電線接觸的切割配件可能會導致機具暴露在外金屬零件「導電」，使得操作人員遭受電擊。

2.3 其他安全指示

人員安全

- ▶ 請使用狀態良好無瑕疵的產品。
- ▶ 勿嘗試以任何方式改裝產品。
- ▶ 若工作包含鑿穿作業，請於工件另一面一併採取適當的防護措施。鑿穿的碎片會掉落和 / 或造成他人受傷。
- ▶ 檢查側向握把是否正確安裝且緊固。以雙手握持機具本身握把。請保持機具握把的乾燥、清潔，避免沾染油及油脂。
- ▶ 為此產品僅可使用配有TE-H連接端的Hilti鑿子。
- ▶ 更換鑿子時，只可使用工具以水平位置進行，絕不可以垂直位置。
- ▶ 將鑿子插入夾頭內，直到聽見它卡上的喀啦聲，且見不到黃色警告圈為止。
- ▶ 請檢查鑿子是否正確卡上。**注意：**鑿子若未確實固定，可能會突然發生危急情況！
- ▶ 請在本產品進入作業位置後才啟動，當它處於搬運位置時請勿啟動！
- ▶ 請利用工作空檔時休息，並活動您的手指以促進血液循環。長時間暴露在震動下會造成手指、手掌和手腕的血管和神經系統失調。



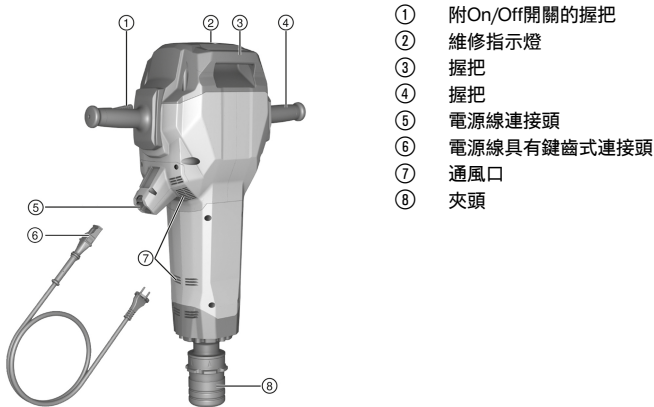
- ▶ 本產品不得讓孩童、疲憊不堪或未受過指示與訓練的人員使用。
- ▶ 將機具放在兒童拿不到的地方。
- ▶ 在開始作業前，請先針對作業時所產生粉塵之危險等級進行確認。使用符合當地粉塵防治條例，且經法定認為保護等級之工業用吸塵器。
- ▶ 可能的話，請連接除塵系統以及適合的吸塵器。含鉛塗料、某些木材及含石英之混凝土 / 石材 / 石頭、礦物質或金屬等材料的粉塵均對身體有害。
- ▶ 請確保工作場所良好通風，必要時，請依會產生的粉塵類型配戴適合的口罩。操作人員與旁觀者接觸或吸入粉塵可能會引起過敏及 / 或造成呼吸問題或其他疾病。像是橡木與山毛櫸木材的粉塵已列為致癌物質，尤其是當它們使用調濕塗料（鉻酸鹽、木材防腐劑）時。包含石棉之基材務必由專人處理。

電力安全

- ▶ 開始工作前，請先檢查工作區域是否有隱藏的電纜線、瓦斯管或水管。若不小心損害電纜線時，機具外部的金屬零件可能會導電而造成電擊的危險。
- ▶ 請定期檢查本產品電源線，並在發現損壞時，請合格的電力專員更換。若電動機具電源線損壞，必須以Hilti維修服務中心所提供特別專用且認可的電源線更換。定期檢查延長線，並在發現損壞時予以更換。當機具運轉時，如果發現電源線或延長線受損，請勿碰觸。將電源線插頭自插座拔離。受損的電源線或延長線可能會引發電擊事故。
- ▶ 經常使用於導電材質的電動工具若是骯髒或積著粉塵，應交由Hilti維修中心檢查。當機具表面覆蓋灰塵（尤其是導電材質所產生之灰塵）或附著水氣等不理想的情況下，皆有導致電擊的風險。
- ▶ 當發生停電或電力中斷的情形發生時，請將電動工具關閉，並將電源線的插頭拔掉。此動作可避免當恢復供電時，產品不經意重新啟動的情形發生。

3 說明

3.1 產品總覽 1



- ① 附On/Off開關的握把
- ② 維修指示燈
- ③ 握把
- ④ 握把
- ⑤ 電源線連接頭
- ⑥ 電源線具有鍵齒式連接頭
- ⑦ 通風口
- ⑧ 夾頭

3.2 搬運推車總覽 2

- ① 握把
- ② 運載固定件
- ③ 鎖條
- ④ 配件工具（鑿子）座
- ⑤ 轉輪
- ⑥ 轉輪穩固零件（墊圈、固定銷）
- ⑦ 機具定位銷
- ⑧ 握把

3.3 用途

本文所述產品為具備28 mm六角夾頭的手持充電式鑿破機。適用於混凝土、石材、石頭之鑿孔作業。挖掘與緊壓為其他可能的應用方式。

- ▶ 操作時務必使用符合機具型號識別牌上所標示的電壓及電頻。

3.4 可能發生的誤用

本產品不適用於金屬相關作業。
本產品不適合在潮濕環境下作業。



3.5 維修指示燈

本鑿破機配備維修LED指示燈。

狀態	意義
維修指示燈亮起紅燈。	<ul style="list-style-type: none"> • 維修間隔結束 - 維修日期已到。將產品送至Hilti維修中心。 • 產品故障。將產品送至Hilti維修中心。
維修指示燈閃爍紅燈。	<ul style="list-style-type: none"> • 暫時性錯誤。請稍候10秒鐘，直到停止閃爍。 • 10秒後若未停止閃爍，請拔掉電源線並且稍候2分鐘。 • 若仍未停止閃爍，請將產品送至Hilti維修中心。
就緒指示燈閃爍綠燈。	<ul style="list-style-type: none"> • 過熱防護措施。 • 讓產品冷卻。
就緒指示燈亮起綠燈。	產品待機中。

請擇日將產品送至Hilti維修中心。這可確保產品的使用狀況。

3.6 Active Vibration Reduction

本機具配備主動減震（Active Vibration Reduction (AVR)）系統，可明顯減少震動。

3.7 配備及數量

電子鑿破機、操作說明、潤滑劑。
搬運推車可另外選購。

關於本產品，您可於當地www.hilti.group或網站查詢其他經過認證可搭配使用的系統產品：**Hilti Store**

4 技術資料

關於額定電壓、電流、頻率和 / 或輸入功率，請參照機具的特定國家型號識別牌。

如果裝置由發電機或變壓器供電，必須至少能提供兩倍於裝置額定銘板上標示的額定輸入值電力。發電機或變壓器的操作電壓必須隨時介於裝置額定電壓+5 %和-15 %以內。

	TE 3000-AVR
重量 (依據EPTA程序01)	27.1 kg
單次衝擊力 (依據EPTA程序)	85 J
貯放溫度	-20 °C ... 70 °C
操作時的環境溫度	-20 °C ... 55 °C

4.1 噪音資訊和震動值 (依據EN 60745)

操作說明中所提供之音壓和震動值已參照標準測量，並可用來比較不同機具之噪音。它們也可作為噪音量的初步評估。提供之資料表示機具主要應用時之數值。若機具應用於不同之用途，搭配不同的配件工具或在保養不良的情況下，其數據會有所不同。在作業過程中，這會大幅提高其噪音量。當機具關閉，或開啟但未進行任何作業時也應列入考量，才能準確評估噪音量。在作業過程中，這會大幅降低其噪音量。確認其他安全措施，以保護操作員不受噪音和 / 或震動影響，例如：保養機具與其配件工具、操作前保持雙手溫暖、作業型式之安排等。

噪音資訊

聲功率級數 (L_{WA})	106 dB(A)
無法判定的聲功率級數 (K_{WA})	3 dB(A)



音壓級數 (L_{pA})	95 dB(A)
無法判定的音壓級數 (K_{pA})	3 dB(A)

震動資訊

鑿孔 ($a_{h, Chreq}$)	6.9 m/s ²
無法判定 (K)	1.5 m/s ²

4.2 延長線的使用

警告

受損的電源線會造成危險！當機具運轉時，如果發現電源線或延長線受損，請勿碰觸。請將電源線插頭自插座拔除。

▶ 請定期檢查設備的電源線，並在發現損壞時，請合格的電力專員更換。

- 僅可使用經認可的延長線類型，且必須使用口徑（截面積）足夠的導線。否則機具的效率會下降且延長線會過熱。
- 定期檢查延長線是否損壞。
- 並更換受損的延長線。
- 戶外工作時，僅可使用經認可並標記適合戶外使用的延長線。

有關建議之最小導體截面積與纜線長度的資訊，可透過本文件最後QR碼形式的連結查看。

5 工作場所的準備工作

注意

有受傷的危險！產品意外啟動。

▶ 在調整機具或變更配件前，請先拔除電源線。

請遵守本文中與產品上的安全說明和警告。

5.1 配件工具



為此產品僅可使用配有TE-H連接端的Hilti鑿子。

其他鑿子無法正確鎖定，且仍可看到工具鎖止件上的黃色警告環。這表示這配件工具不適合此部鑿破機。

▶ 請在每次使用前，務必注意工具鎖止件上的黃色警告環不得露出。

5.2 安裝配件工具



在每次使用前檢查配件工具是否受損或是不均勻磨損，並視需要更換。

1. 在配件工具的連接頭添加少量的潤滑劑。
2. 將鑿子與TE-H-連接端插入夾頭內，直到聽見它卡上的喀啦聲，且見不到黃色警告圈為止。
3. 請以握住拉取方式檢查鑿子是否已正確咬合。



務必使用原廠Hilti潤滑劑。使用不適合的潤滑劑可能會造成產品損壞。

5.3 請連接可拆式電源線

注意

有受傷的危險！因接點髒污的漏電流而造成。

▶ 只有在可拆式電力連接頭乾淨、乾燥且電源線未插入插座時，才能連接到機具。

1. 將含鍵齒、可拆式電子插頭連接頭盡量推入插座中，直到聽見咬合聲。



2. 將電源線插頭插入插座。



Hilti建議，可拆式電源線需保持連接至工具。只有在可拆式電源線斷開或損壞的情況下，才可將之拔出。

6 工作類型



警告

受損的電源線會造成安全危險！若電源線或延長線在工作進行時受損，請立刻將裝置和電纜線自電源供應處拔除。請勿碰觸受損的電纜線。

- ▶ 定期檢查所有的電源線。並更換受損的延長線。請由合格的電力專員更換電源線。

建議使用最大30 mA跳脫電流的漏電斷路器（RCD）。

6.1 啟動鑿破機

1. 將握把和On/Off開關一起按壓到底。
 - ▶ 鑿破機開始啟動。
2. 在作業期間，請按住On/Off開關不放。
 - ▶ 此外，您可透過按壓握把來控制機器的性能。



若停止超過1分鐘，本機將重新回到初始狀態。如要重新啟動，請再次將握把和On/Off開關按壓到底。

6.2 鑿孔



鑿子可調整在6種不同位置（每60°一段）。這可確保扁鑿和各形狀鑿子可以設定在最佳操作位置。

1. 將電源線插頭插入插座。
2. 將鑿子放置在工件邊緣約80 -100 mm (3 1/8" - 4") 的位置。
3. 將握把和On/Off開關按壓到底。
4. 一開始，先將鑿子放置在與混凝土表面為90°的角度，然後鑿子尖端指向工件邊緣處。然後將角度轉至70°至80°，並將材料鑿穿。
 - ▶ 在鋼筋附近工作時，請務必將鑿子尖端往工件邊緣方向導引，而不是往鋼筋。



低溫環境的運作：

鎚擊機制僅在當機具達到最低運轉溫度時才能運作。請將鑿子放置基材接觸面，並啟動機具使之於無負載下運轉，直到到達所需的運轉溫度。如有必要，請重複此程序直到鎚擊機制開始運作。


6.3 卸下配件



警告

有受傷的危險！使用中的配件工具會變熱且可能具備尖銳的邊緣。

- ▶ 更換機具時請配戴手套。

1. 將電源線插頭自插座拔離。
2. 將配件工具固定棒盡可能向後拉回。
3. 卸下配件。
4.  **注意！**不得將高溫的配件工具放置在易燃物質上。

6.4 拔除可拆式電源線

1. 將電源線插頭自插座拔離。
2. 按下拆卸鈕，然後將含鍵齒、可拆式電子插頭連接頭從插座上拔出。



- 將電源線連接頭從機具中取出。



Hilti建議，可拆式電源線需保持連接至工具。只有在可拆式電源線斷開或損壞的情況下，才可將之拔出。

7 維護及保養



警告

觸電危險！ 電源線仍連接到電源插座時進行維護和保養會造成嚴重的傷害或灼傷。

- ▶ 進行維護及保養前，請務必拔下電源線。

注意

- 仔細清除機具的頑強灰塵。
- 請使用乾燥的刷子小心清潔通風口。
- 僅能使用微濕軟布清潔外殼。勿使用含硅樹脂的清潔或亮光劑，因為可能會造成塑膠零件損壞。

維護



警告

電擊的風險！ 損壞的電子零件會造成嚴重的人員傷害及灼傷。

- ▶ 機具或設備電力部分的維修僅可交由訓練過的電力專員處理。

- 定期檢查外部零件和控制元件有無損壞跡象，並確認它們運作正常。
- 如果有損壞跡象或任何零件功能故障，請不要操作本產品。請將產品立刻交付Hilti維修中心進行維修。
- 清潔及保養後，裝上所有防護套或保護裝置並檢查功能是否正常。



為確保操作的安全及可靠性，請務必使用原廠Hilti備件與耗材。要選購Hilti認可的備件、耗材和配件，請至Hilti Store或網站：www.hilti.group。

8 搬運和貯放

運送

- ▶ 搬運本產品時請不要安裝配件工具。
- ▶ 確認在整個搬運過程中設備均有妥善固定。
- ▶ 搬運後，請務必檢查外部零件和控制元件有無損壞跡象，並確認它們運作正常。

設備的貯放

- ▶ 收納本產品時請務必將電源線從電源上拔掉。
- ▶ 請將產品貯放在乾燥且兒童或未授權的人員無法觸及的地點。
- ▶ 長時間貯放後，請務必檢查外部零件和控制元件有無損壞跡象，並確認它們運作正常。

8.1 使用搬運推車搬運



警告

因重量造成受傷的危險 擊破機非常重。

- ▶ 儘可能使用搬運推車。若無法使用搬運推車，機具必須由兩人搬運。



請勿將搬運推車停放在斜坡上。
請將搬運推車停放在穩定、牢靠的位置。
請小心並僅遵循安全的搬運路線。

- 將擊破機放在搬運推車上的定位銷上。
- 關閉鎖條，可在搬運時固定擊破機。
- 將鑿子推入配件工具座，直到咬合。

9 故障排除

若您遇到未列出的問題或是無法自行排除的問題，請聯絡Hilti維修中心。



9.1 故障排除

故障	可能原因	解決方法
鑿破機未啟動。	電器初始化進行中（插電後約需4秒鐘）。	▶ 關閉機具後再開啟。
	電源供應中斷	▶ 將插頭插入另一電子機具或電器並檢查是否可啟動。
	電源中斷後電子重新啟動聯鎖裝置啟用	▶ 關閉機具後再開啟。
	發電機在睡眠模式	▶ 連接第二個電力消耗裝置（例如工作燈）至發電機上。將機具先關閉再開啟。
	可拆式電源線未正確安裝	▶ 將可拆式電源線確實連上機具。
維修指示燈亮起紅燈。	機具發生錯誤或維修日期已到	▶ 請務必將受損產品交付Hilti維修中心進行維修。
維修指示燈閃爍紅燈。	暫時性錯誤	▶ 請稍候10秒鐘，直到停止閃爍。 ▶ 10秒後若未停止閃爍，請拔掉電源線並且稍候2分鐘。 ▶ 若仍未停止閃爍，請將產品送至Hilti維修中心。
	電源供應電壓過高	▶ 使用不同的插座。檢查供電。
就緒指示燈閃爍綠燈。	過熱防護措施	▶ 讓產品冷卻。 ▶ 清潔通風口。在無負載下仍可運轉。
無鎚擊動作。	機具溫度太低	▶ 讓配件工具的尖端與工作面接觸，開啟機具使之旋轉。如果需要，請重複此程序直到鎚擊機制開始運作。
鑿破機的擊打頻率大幅降低。	空擊（鑿子沒有撞到堅硬的基材）	▶ 鬆開開關並重新啟動機器，或： ▶ 按下開關的同時也完全按下握把。
鑿破機無法啟動，或在運轉時停止。	延長線太長或導體截面積不足	▶ 使用經認可的延長線及 / 或適當的截面積。

10 廢棄設備處置

Hilti機具或設備所採用的材料大部分均可回收再利用。材料在回收前必須正確地分類。在許多國家中，您可以將舊機具及設備送回Hilti進行回收。詳情請洽Hilti維修中心，或當地Hilti代理商。



- ▶ 請勿將機具、電子設備或電池當作一般家用廢棄物處理！

11 RoHS (有害物質限制指令)

按一下本連結可前往危險物質表：qr.hilti.com/r11668382。

您可在文件最後找到QR碼格式的RoHS表連結。

12 製造商保固

- ▶ 如果您對於保固條件有任何問題，請聯絡當地Hilti代理商。

Hilti Taiwan Co., Ltd.

4/F, No. 2 Jen Ai Road, Sec. 2, Taipei, 10060 Taiwan

Tel. +886 2 2357 9090



原版操作说明

1 文档信息

1.1 关于该文档

- 首次操作或使用前，请阅读本文档。这是安全、无故障地操作和使用产品的前提条件。
- 请遵守本文档中以及产品上的安全说明和警告。
- 请务必将本操作说明与本产品保存在一起，确保将操作说明随产品一起交给他人。

1.2 使用符号的说明

1.2.1 警告

警告是为了提醒您在处理或使用此产品时会发生的危险。使用以下信号词：



危险！

- ▶ 用于让人们能够注意到会导致严重身体伤害或致命的迫近危险。



警告！

- ▶ 用于提醒人们注意可能导致严重或致命伤害的潜在危险。



小心！

- ▶ 用于提醒人们注意可能造成人身伤害、设备损坏或其他财产损失的潜在危险情况。

1.2.2 文档中的符号

本文档中使用下列符号：

	请在使用之前阅读操作说明。
	使用说明和其他有用信息
	处理可回收材料
	不得将电气设备和电池作为生活垃圾处置

1.2.3 图示中的符号

图示中使用了下列符号：

	这些编号指本操作说明开始处的相应图示。
	图示中的编号反映操作顺序，可能与文本中描述的步骤不同。
	概览图示中使用了项目参考号，该参考号指的是产品概览部分中使用的编号。
	这些符号旨在提醒您在操作本产品时要特别注意的某些要点。

1.3 产品使用的符号

1.3.1 产品使用的符号

产品使用的符号如下：

	保护等级 II (双重绝缘)
	不允许使用起重机进行运输





1.4 产品信息

HILTI 产品设计适用于专业用户，只有经过专门训练的授权人员才允许操作、维修和维护本产品。必须将任何可能的危险专门告知该人员。不按照既定用途使用或由未经培训的人员不正确地使用本产品及其辅助设备可能会带来危险。

型号名称和序列号印在铭牌上。

▶ 在下表中填写序列号。在联系 Hilti 维修中心或当地 Hilti 机构询问产品时，将要求您提供产品的详细信息。

产品信息

破碎机	TE 3000-AVR
分代号	03
序列号	

1.5 符合性声明

按照我们单方面的责任，我们声明本产品符合下列适用指令和标准：一致性声明副本位于本文档结尾处。

技术文档在此处归档：

Hilti Entwicklungsgesellschaft mbH | Tool Certification | Hiltistrasse 6 | 86916 Kaufering, Germany

2 安全

2.1 一般电动工具安全警告

⚠ 警告 请阅读本电动工具随附的所有安全警告、说明、图示和技术规范。不遵守下列所有操作说明可能会导致电击、火灾和/或严重人身伤害。

请保存所有安全警告和操作说明，以供将来参考。

在所有下列的警告中术语“电动工具”指市电驱动(有线)电动工具或电池驱动(无线)电动工具。

工作区域安全

- ▶ 保持工作区域清洁和良好照明。杂乱和黑暗的区域容易导致事故。
- ▶ 不要在爆炸性环境中操作电动工具，例如有易燃液体、气体或灰尘。电动工具会产生可以点燃这些灰尘或烟雾的火花。
- ▶ 在操作电动工具时，要令儿童和旁观者远离工作现场。万一分心，可能会使您失去对电动工具的控制。

电气安全

- ▶ 电动工具(设备)插头必须匹配电源插座。切勿以任何方式改动插头。对于接地的电动工具(设备)，不要使用任何适配器插头。使用未经改动的插头和匹配的电源插座可以大大减少电击危险。
- ▶ 避免人体接触接地表面，如管道、散热片和冰箱。如果您的身体接地，则会增加电击危险。
- ▶ 不要将电动工具暴露在雨水或潮湿环境中。电动工具进水将会增加电击危险。
- ▶ 不要滥用电缆。切勿使用电缆运送、拉动或拔出电动工具。保持电缆远离高温、油、锋利边缘或运动部件。电缆损坏或缠绕会增加电击危险。
- ▶ 当在户外操作电动工具时，应使用经认可适合户外操作的加长电缆。使用适合户外使用的电缆可减少电击危险。
- ▶ 如果在潮湿环境下操作电动工具是不可避免的，应使用剩余电流动作保护器(RCD)。使用 RCD 可减小电击危险。

人身安全

- ▶ 保持警觉，注意您正在进行的工作，并在操作电动工具的过程中，应利用自己的判断能力。当您疲劳或受到药物、酒精或医疗影响时，请不要使用电动工具。当操作电动工具时，瞬间的分心都可能导致严重的人身伤害。
- ▶ 使用个人防护装备。一定要戴上护目装置。安全装置，诸如适当条件下使用防尘面具、防滑安全鞋、安全帽、听力防护等装置能减少人身伤害。
- ▶ 防止电动工具意外启动。在连接至电源和/或电池组、拿起或搬运电动工具之前，应确保开关处于“关闭”位置。将手指放在开关上搬运电动工具或在开关处于“打开”位置时接通电源，都可能会导致事故发生。
- ▶ 在打开电动工具之前，必须拿掉任何调整键或扳手。让扳手或调整键留在电动工具的旋转部件上可能会导致人身伤害。
- ▶ 不要操之过急。应时刻保持正确的站姿和平衡。这在意外情况下能够更好地控制电动工具。



- ▶ 应确保正确着装。不要穿着松垮的衣服或佩戴首饰。让头发和衣服远离运动部件。松垮的衣服、首饰或长发会卡在运动部件中。
- ▶ 如果提供有用于连接除尘和集尘设施的装置，应确保将它们连接好并正确使用。使用除尘装置可以减少与灰尘相关的危险。
- ▶ 经常使用工具能令您获得较高的熟练度，但不能因此掉以轻心和忽视工具安全准则。一次不慎操作就会在瞬间导致重伤。

电动工具的使用和维护

- ▶ 不要强制使用电动工具。针对您的应用场合使用正确的电动工具。正确的电动工具在其额定设计值范围内将能够更好和更安全地工作。
- ▶ 如果通过开关不能使其打开和关闭，则请不要使用电动工具。任何不能通过开关进行控制的电动工具都是危险的，必须对其进行修理。
- ▶ 在进行任何调整、更换配件或存放电动工具之前，应从电源上断开插头和/或从电动工具上拆下电池组（若可拆卸）。此预防性安全措施可减少意外启动电动工具的危险。
- ▶ 将不用的电动工具存放在儿童拿不到的地方，并且不要让不熟悉电动工具或其操作说明的人员操作电动工具。未经培训的用户操作电动工具是危险的。
- ▶ 维护电动工具和配件。检查是否存在运动部件失调或卡滞、部件断裂和任何其它影响电动工具操作的情况。如果存在损坏，则在使用之前应修理电动工具。许多事故都是由于电动工具维护不良造成的。
- ▶ 保持切削工具锋利和清洁。带锋利切削刃的切削工具如果维护得当，很少会发生卡滞且更容易控制。
- ▶ 按照使用说明书，考虑作业条件和进行的作业来使用电动工具、附件和工具的刀头等。将电动工具用于指定用途以外的场合会导致危险。
- ▶ 使手柄和抓握面保持干燥、清洁且没有油脂。如果手柄和抓握面打滑，将无法在意外情况下安全操作或控制本工具。

保养

- ▶ 将您的电动工具送交专业维修人员，使用同样的备件进行修理。这样才能确保维持电动工具（设备）的安全性。

2.2 锤钻安全警告

所有操作的安全说明

- ▶ 戴上护耳装置。如果直接暴露在噪音中，则可能会导致听力受损。
- ▶ 应总是使用辅助手柄（若随工具提供）。对工具失去控制可能会导致人身伤害。
- ▶ 当执行切削配件可能接触到隐藏线束或电动工具自带电缆的操作时，应确保只能通过绝缘把手表面握住电动工具。如果切削配件接触“带电”导线，则会使电动工具的裸露金属部件“带电”，从而可能会电击到操作者。

2.3 附加的安全说明

人身安全

- ▶ 只有产品处于良好的技术状态时才能使用。
- ▶ 切勿以任何方式擅自改动或改装本产品。
- ▶ 在需要穿透的待加工工件的对侧采取适当的安全措施。被钻下的工件部分可能会弹出或掉落并伤害到其他人员。
- ▶ 检查并确认侧面手柄已正确安装和可靠固定。应始终用双手通过提供的把手稳稳握住工具。保持把手干燥、清洁和没有油脂。
- ▶ 该产品只能使用带 TE-H 接头的 Hilti 凿子。
- ▶ 只能置于水平位置的工具有更换凿子，切勿在垂直位置操作。
- ▶ 请将凿子插入工具夹头中，直至听到其接合时发出“咔哒”的声音并且黄色警示环不再可见。
- ▶ 检查凿子是否已正确接合。注意：未固定好的凿子可能会意外导致危险情况！
- ▶ 只能在工作位置上启动本产品，不得在运输过程中启动！
- ▶ 工作间隙抽时间休息并做体育锻炼，改善手指的血液循环状况。工作期间长时间暴露于振动环境中可能导致手指、手掌和手腕部位血管和神经系统紊乱。
- ▶ 儿童、没有经过培训或没有接受过指导的人以及劳累过度的人不适合使用本产品。
- ▶ 将电动工具放到儿童接触不到的地方。
- ▶ 在开始工作之前，应测定工作时会产生的粉尘的危险等级。使用具有官方认可防护等级的工业真空吸尘器，并遵守当地适用的粉尘防护规定。
- ▶ 尽可能使用除尘系统和适当的真空吸尘器。一些材料产生的粉尘（例如含铅油漆、某些类型的木材以及含有石英、矿物或金属的混凝土/砖石/石块）可能对人体健康有害。
- ▶ 确保工作场所通风良好，必要时佩戴适用于产生的灰尘类型的呼吸器。接触或吸入这些灰尘可能会导致操作者或旁观者出现过敏反应和/或呼吸疾病或其他疾病。某些种类的灰尘还属于致癌物质，例如橡木和山



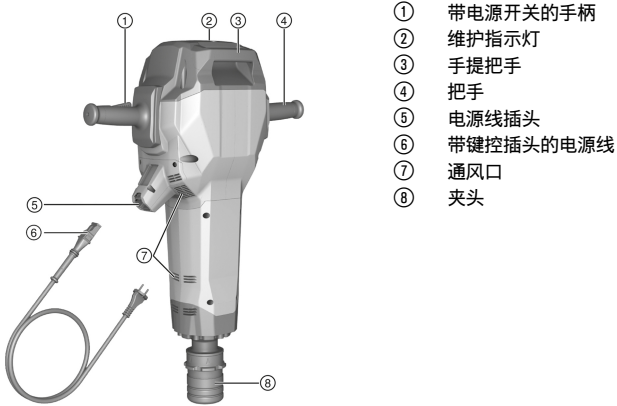
毛榉木灰尘，特别是在带木材调节添加剂（铬酸盐、木材防腐剂）时。含石棉的材料只能由专业人员进行处理。

电气安全

- ▶ 开始工作之前，检查工作区域是否有隐蔽的电缆或天然气和水管。如果您意外损坏了电缆，电动工具的外部金属部件可能带电，带来电击风险。
- ▶ 定期检查本产品的电源线；如发现损坏，则交由具有相应资格的专业人员进行更换。如果本电动工具的电源线损坏，则必须将其更换为认可的特制电源线，该电源线由喜利得客户服务部门提供。定期检查加长电缆，如果发现损坏，则更换它们。在工作时，不要接触已损坏的电源线或加长电缆。从电源插座上拔掉电源线插头。损坏的电源线或加长电缆会导致电击危险。
- ▶ 如果电动工具频繁用于导电材料作业以致于脏污或充满粉尘，应由 Hilti 维修中心定期进行检查。在不利条件下，吸附到工具表面的灰尘（特别是导电材料产生的灰尘）或湿气会导致电击危险。
- ▶ 如供电电源发生故障或中断，则应关闭电动工具并拔下电源线。这可防止供电恢复时本产品意外重启。

3 说明

3.1 产品概述 1



- ① 带电源开关的手柄
- ② 维护指示灯
- ③ 手提把手
- ④ 把手
- ⑤ 电源线插头
- ⑥ 带键控插头的电源线
- ⑦ 通风口
- ⑧ 夹头

3.2 运输车概述 2

- ① 把手
- ② 负载固定
- ③ 锁杆
- ④ 配套工具 (凿子) 用支架
- ⑤ 滚轮
- ⑥ 滚轮固定件 (垫圈、固定销)
- ⑦ 电动工具定位销
- ⑧ 手提把手

3.3 预期用途

所述产品为手持式电动破碎机，带 28 mm 六角夹头。它设计用于混凝土、砖石和沥青等材料的凿边作业。可能的应用还包括挖掘和压实。

- ▶ 只有当相连电源的电压和频率符合电动工具标牌上的给定信息时，才能操作本电动工具。

3.4 可能的误用

该产品不适用于加工危险材料。
该产品不适用于在潮湿环境下工作。

3.5 维护指示灯

破碎机配备了一个维护指示灯 LED。



状态	含义
维护指示灯呈红色亮起。	<ul style="list-style-type: none"> 维护间隔周期结束 - 到了该进行维护的时候。将本产品送到 Hilti 维修中心。 本产品有故障。将本产品送到 Hilti 维修中心。
维护指示灯呈红色闪烁。	<ul style="list-style-type: none"> 临时故障。请等待 10 秒，直至闪烁停止。 如果 10 秒后闪烁没有停止，请拔下电源线插头并等待 2 分钟。 如果闪烁没有停止，请将本产品送到 Hilti 维修中心。
准备就绪指示灯呈绿色闪烁。	<ul style="list-style-type: none"> 防止过热。 使产品冷却。
准备就绪指示灯呈绿色亮起。	产品已准备就绪。



将产品及时送至 **Hilti** 维修中心。这有助于确保产品始终处于就绪状态。

3.6 Active Vibration Reduction

本工具配备有 Active Vibration Reduction (AVR) 系统，能够显著减小振动。

3.7 供货提供的部件：

电动破碎机、操作说明、润滑脂。
运输车可作为选装提供。



经批准可以与本产品搭配使用的其它系统产品，可以在您当地的 www.hilti.group 购买或访问 **Hilti Store** 在线订购

4 技术数据



有关额定电压、电流、频率和/或输入功率的详细信息，请参见各国特定的电动工具铭牌。

当通过发电机或变压器为设备供电时，发电机或变压器的输出功率必须至少达到本设备铭牌上显示的额定输入功率的两倍。变压器或发电机的工作电压必须始终保持在设备额定电压 +5% 和 -15% 的范围内。

	TE 3000-AVR
重量 (按照 EPTA 程序 01)	27.1 kg
单次冲击能量 (按照 EPTA 程序)	85 J
存放温度	-20 °C ... 70 °C
适合工作的环境温度	-20 °C ... 55 °C

4.1 噪音信息和振动值按照 EN 60745 标准

这些说明中给出的声压和振动值按照标准化测试的要求测得，可用于比较一种电动工具与另一种电动工具。它们还可用于初步评价受振动影响的程度。提供的数据代表本电动工具的主要应用。但是，如果将电动工具用于不同的应用、使用不同的配件工具或维护不良，则数据可能不同。这可能会显著增加操作者在整个工作期间受振动影响的程度。对受振动影响程度的准确估计还应考虑当关闭电动工具或当它运行但实际上未进行工作时的情况。这可能会显著减小操作者在整个工作期间受振动影响的程度。此外，应确定附加安全措施，以保护操作者免受噪音和/或振动影响，例如：正确维护电动工具和配套工具、保持双手温暖、合理安排工作方式。

噪音信息

声 (功率) 级 (L_{WA})	106 dB(A)
声音功率级的不确定性 (K_{WA})	3 dB(A)
声压级 (L_{pA})	95 dB(A)
声压级的不确定性 (K_{pA})	3 dB(A)



振动信息

凿边 ($a_{h, CHeq}$)	6.9 m/s ²
不确定性 (K)	1.5 m/s ²

4.2 使用加长电缆



-警告-

损坏的电源线会构成危险！在工作时，不要接触已损坏的电源线或加长电缆。将电源线插头从电源插座上断开。

- ▶ 定期检查设备的电源线，如果发现损坏，则让有资格的专业人员进行更换。
- 只能使用经批准可用于相关应用且导线尺寸（横截面）适当的加长电缆类型。否则可能会削弱电动工具的性能，且导致加长电缆过热。
- 定期检查加长电缆是否损坏。
- 更换已损坏的加长电缆。
- 进行户外作业时，只能使用具有相应标记且经批准可用于户外作业的加长电缆。

如要获取推荐的最小导线横截面积和电缆长度的相关信息，请扫描文档末尾的二维码。

5 工作现场的准备工作



-小心-

人身伤害的危险！产品意外启动。

- ▶ 对电动工具进行任何调节前或更换配件前，先拔出电源线插头。

请遵守本文档中以及产品上的安全说明和警告。

5.1 配套工具



该产品只能使用带 **TE-H** 接头的 Hilti 凿子。

如果无法正确锁止其它凿子，则工具锁止装置上的黄色警示环一直可见。这表示该配套工具不适用于这款破碎机！

- ▶ 每次使用前需确保工具锁止装置上的黄色警示环不再可见。

5.2 安装配套工具



每次使用前检查配套工具是否损坏或有不均匀磨损，必要时进行更换。

1. 在配套工具的连接端涂抹少量润滑脂。
2. 请将带 **TE-H** 接头的凿子插入工具夹头中，直至听到其接合时发出“咔哒”的声音并且黄色警示环不再可见。
3. 通过抓住并拉动凿子，检查并确认其已正确接合。



请仅使用 Hilti 提供的推荐润滑脂。使用不合适的润滑脂可能会损坏本产品。

5.3 连接可拆卸供电电缆



-小心-

人身伤害的危险！触点变脏可能导致漏电！

- ▶ 只有当可拆卸插头清洁、干燥且电源线从插座内拔出时，才能将可拆卸插头插入电动工具中。

1. 将可松开的编码电子连接器在插座中插到底，直到听到其接合的声音。
2. 将电源插头插入电源插座。



Hilti 推荐让可拆卸供电电缆一直留在工具上。只在可拆卸供电电缆断裂或损坏时才将其拔下。



6 工作类型

-警告-

损坏的电源线会构成安全隐患！如果电源线或加长电缆在作业过程中损坏，应立即从电源上断开设备和电缆。不得触碰电缆的受损部分。

- ▶ 定期检查所有电源线。更换损坏的加长电缆。让具有资质的专业人员更换损坏的电源线。

建议使用最大跳闸电流为 30 mA 的接地故障断路器 (剩余电流装置, RCD)。

6.1 启动破碎机

1. 请同时按压手柄和电源开关。
 - ▶ 破碎机启动。
2. 操作期间请长按电源开关。
 - ▶ 另外可以通过按压手柄来控制机器的性能。



如果暂停超过 1 分钟，机器会恢复到起始状态。重启时必须再次按压手柄和电源开关。

6.2 凿边



可以将凿子调整至 6 个不同位置 (以 60° 为增量)。这样可确保总是可以将平头和成形凿子设置到最佳工作位置。

1. 将电源线插头插入电源插座。
2. 使凿子接近工件至距离工件边缘约 80 - 100 mm (3 1/8" - 4")。
3. 按压手柄和电源开关。
4. 在凿子与混凝土表面成 90° 时开始工作，并令凿子的尖端朝向工件边缘。随着凿子深入，逐渐将这一角度增加到 70° 至 80° 左右使材料破碎。
 - ▶ 在钢筋附近工作时，应始终将凿子的尖端引向工件的边缘，而非引向钢筋。



在低温下工作时：


锤击机构仅在电动工具已达到最低工作温度时才会工作。让凿子与基材接触并允许电动工具在无负荷下运行，直至达到最低工作温度。必要时，可重复此步骤，直至锤击机构开始工作。

6.3 拆卸配套工具

-警告-

人身伤害的危险！使用期间配套工具会变热，也会有锋利边缘。

- ▶ 更换工具时，戴上防护手套。

1. 从电源插座上拔掉电源线插头。
2. 将配套工具固定杆尽可能向后拉回。
3. 拆卸配套工具。
4.  注意！不要将高温配套工具放到高度易燃材料上。

6.4 从电动工具上断开可拆卸供电电缆

1. 从电源插座上拔掉电源插头。
2. 按下解锁按钮，从插座中拔出可松开的编码电子连接器。
3. 从电动工具上拉下供电电缆。



Hilti 推荐让可拆卸供电电缆一直留在工具上。只在可拆卸供电电缆断裂或损坏时才将其拔下。



7 维护和保养

-警告-

电击危险！ 如果试图在电源线连接电源插座的情况下执行保养和维护，则会导致严重受伤和烫伤。

- ▶ 执行维护和保养任务之前，请务必拔下电源线。

保养

- 小心地清除工具上的顽固污渍。
- 使用干燥的刷子小心清洁通风孔。
- 请仅使用略湿的布清洁壳体。不要使用含硅清洁剂，否则可能腐蚀塑料件。

维护

-警告-

电击危险！ 电气部件的不当维修会造成包括灼伤在内的严重人身伤害。

- ▶ 工具或设备的电气系统只能由受过培训的电气专业人员进行维修。
- 定期检查所有可见部件和控制器是否出现损坏迹象，确保其全部正常工作。
- 如果发现损坏迹象或如果有部件发生故障，不要操作本产品。立即将产品交由 Hilti 维修中心修复。
- 清洁和维护之后，安装所有护板或保护装置，检查并确认其正常工作。



为确保安全和可靠的操作，仅限使用 Hilti 原装备件和消耗品。Hilti 批准用于配合产品使用的备件、消耗品和配件可到您当地的 **Hilti Store** 购买或通过以下网址在线订购：www.hilti.group。

8 运输和存放

运输

- ▶ 运输本产品时，其上不得安装有配套工具。
- ▶ 请确保产品在整个运输过程中牢牢固定。
- ▶ 完成运输后，务必检查所有可见部件和控制器是否有损坏迹象，确保其全部正常工作。

存放

- ▶ 存放本产品时，务必从电源插座上拔下电源线。
- ▶ 将本产品存放在儿童或非授权人员无法接近的干燥位置。
- ▶ 本产品长期闲置后，务必检查所有可见部件和控制器是否有损坏迹象，确保其全部正常工作。

8.1 使用运输车运输

-警告-

大重量导致的人身伤害危险 破碎机很重。

- ▶ 尽可能使用运输车。如果运输车不可用，则必须由两个人搬运破碎机。



不得将运输车停在斜坡上。
注意确保让运输车立在稳定可靠的位置。
运输时注意只能走安全的运送路线。

1. 将破碎机置于运输车定位销上。
2. 通过闭合锁杆来紧固破碎机。
3. 将凿子推入配套工具支架，直至接合。

9 故障排除

如果您碰到的问题未在此表中列出或您无法自己实施补救措施，请联系 **Hilti 服务部门**。

9.1 故障排除

故障	可能原因	解决方案
破碎机未启动。	正在进行电子设备初始化 (连接电源后需要 4 秒钟)。	▶ 关闭电动工具然后再次打开。



故障	可能原因	解决方案
破碎机未启动。	电源中断	▶ 接上另一电动工具或设备并检查它是否工作。
	在电源中断之后电子重新启动联锁装置启动	▶ 关闭电动工具然后再次打开。
	发电机处于睡眠模式	▶ 通过连接另一个耗电产品 (例如, 工作灯) 给发电机施加负载。关闭工具然后再次打开。
	可拆卸电源线没有正确连接	▶ 将可拆卸电源线正确连接至电动工具。
维护指示灯呈红色亮起。	工具有故障或保养到期	▶ 仅限将本产品交由 Hilti 维修中心修复。
维护指示灯呈红色闪烁。	临时故障	▶ 请等待 10 秒, 直至闪烁停止。 ▶ 如果 10 秒后闪烁没有停止, 请拔下电源线插头并等待 2 分钟。 ▶ 如果闪烁没有停止, 请将本产品送到 Hilti 维修中心。
	电源提供的电压太高	▶ 使用不同的电源输出口。检查电源。
准备就绪指示灯呈绿色闪烁。	防止过热	▶ 使产品冷却。 ▶ 清洁通风孔。仍可在空载状态下运行。
没有锤击作用。	工具过冷	▶ 使配套工具尖接触到工作面, 打开电动工具并使其运转。必要时, 重复该步骤, 直到锤击机构开始工作。
破碎机的击打频率大大降低。	空击 (凿子不撞击坚硬的地面)	▶ 释放开关并重新启动机器, 或: ▶ 按下开关的同时, 也完全按下手柄。
破碎机不启动或在工作过程中被切断。	加长电缆太长和/或导线截面积不够	▶ 使用具有许可长度和/或足够截面积的加长电缆。

10 废弃处置

大部分用于 Hilti 工具和设备生产的材料是可回收利用的。在可以回收之前, 必须正确分离材料。在很多国家, 您的旧工具、机器或设备可送至 Hilti 进行回收。敬请联系 Hilti 服务部门或您的喜利得公司代表获得更多信息。



- ▶ 不得将电动工具、电子设备或电池作为生活垃圾处置!

11 RoHS (有害物质限制)

单击链接跳转至有害物质表: qr.hilti.com/r11668382.
文档末尾提供转至 RoHS 表的二维码链接。

12 制造商保修

- ▶ 如果您有保修条件方面的问题, 请联系您当地的 Hilti 公司代表。







Hilti Aktiengesellschaft
Feldkircherstraße 100
9494 Schaan | Liechtenstein

TE 3000-AVR (03)

[2019]

2006/42/EC

EN 60745-1

EN 55014-1:2017+A11:2020

2014/30/EU

EN 60745-2-6

EN 55014-2:2015

2011/65/EU

EN 61000-3-2:2019

2000/14/EC

EN 61000-3-3:2013+A1:2019



Measured 105 dB

Guaranteed 108 dB



TÜV Nord CERT GmbH
Langemarckstr. 20
45141 Essen, Germany

Schaan, 30.03.2021

Dr. Tahar Zrilli

Head of Quality and Process Management
Business Area Electric Tools & Accessories

Tassilo Deinzer

Executive Vice President
Business Unit Power Tools & Accessories





Hilti Corporation
LI-9494 Schaan
Tel.:+423 234 21 11
Fax:+423 234 29 65
www.hilti.group



2228669